



US00D764726S

(12) **United States Design Patent**  
**Vanderstegen-Drake et al.**

(10) **Patent No.:** **US D764,726 S**  
(45) **Date of Patent:** **\*\* Aug. 23, 2016**

(54) **VACUUM CLEANER**

(71) Applicant: **Dyson Technology Limited**, Wiltshire (GB)  
(72) Inventors: **Mark Stamford Vanderstegen-Drake**, Gloucester (GB); **Jonathan George Marsh**, Swindon (GB); **Adam James Bates**, Oxford (GB); **Joanne Katy Mitchell**, Swindon (GB); **Paul Dawson**, Scunthorpe (GB); **James Dyson**, Bristol (GB); **Peter David Gammack**, Swindon (GB)  
(73) Assignee: **Dyson Technology Limited**, Malmesbury, Wiltshire (GB)

(\*\*) Term: **14 Years**

(21) Appl. No.: **29/519,099**

(22) Filed: **Mar. 2, 2015**

(30) **Foreign Application Priority Data**

Aug. 28, 2014 (EM) ..... 001419931-0006

(51) **LOC (10) Cl.** ..... **15-05**

(52) **U.S. Cl.**  
USPC ..... **D32/21**

(58) **Field of Classification Search**  
USPC ..... D32/18, 21-24, 31  
CPC ..... A47L 9/16; A47L 9/20; A47L 9/1683;  
A47L 9/1666; A47L 9/1608; A47L 9/2857;  
A47L 9/2842; A47L 9/2836; A47L 9/2847;  
A47L 9/2852; A47L 5/28; A47L 7/0038;  
G06N 3/008; E04H 4/1654

See application file for complete search history.

(56) **References Cited**

U.S. PATENT DOCUMENTS

D527,854 S	9/2006	Marzynski
D548,411 S	8/2007	Schröter
D548,902 S	8/2007	Chun et al.
D556,961 S	12/2007	Swyst et al.
7,441,298 B2	10/2008	Svendson et al.
D586,959 S	2/2009	Geringer et al.
D593,265 S	5/2009	Carr et al.
D596,815 S	7/2009	Baek
7,832,048 B2	11/2010	Harwig et al.
D658,341 S	4/2012	Nam et al.
D659,920 S	5/2012	Lee et al.
D661,032 S	5/2012	Lee et al.
D661,439 S	6/2012	Lee et al.
D661,440 S	6/2012	Lee et al.
D665,547 S	8/2012	Nam et al.
D669,235 S	10/2012	Bassett et al.
D670,877 S	11/2012	Geringer et al.
8,370,985 B2	2/2013	Schnittman et al.
8,438,695 B2	5/2013	Gilbert, Jr. et al.

(Continued)

OTHER PUBLICATIONS

Vanderstegen-Drake et al., U.S. Office Action mailed Apr. 22, 2015, directed to U.S. Appl. No. 29/474,610; 6 pages.

(Continued)

*Primary Examiner* — Ruth McInroy

(74) *Attorney, Agent, or Firm* — Morrison & Foerster LLP

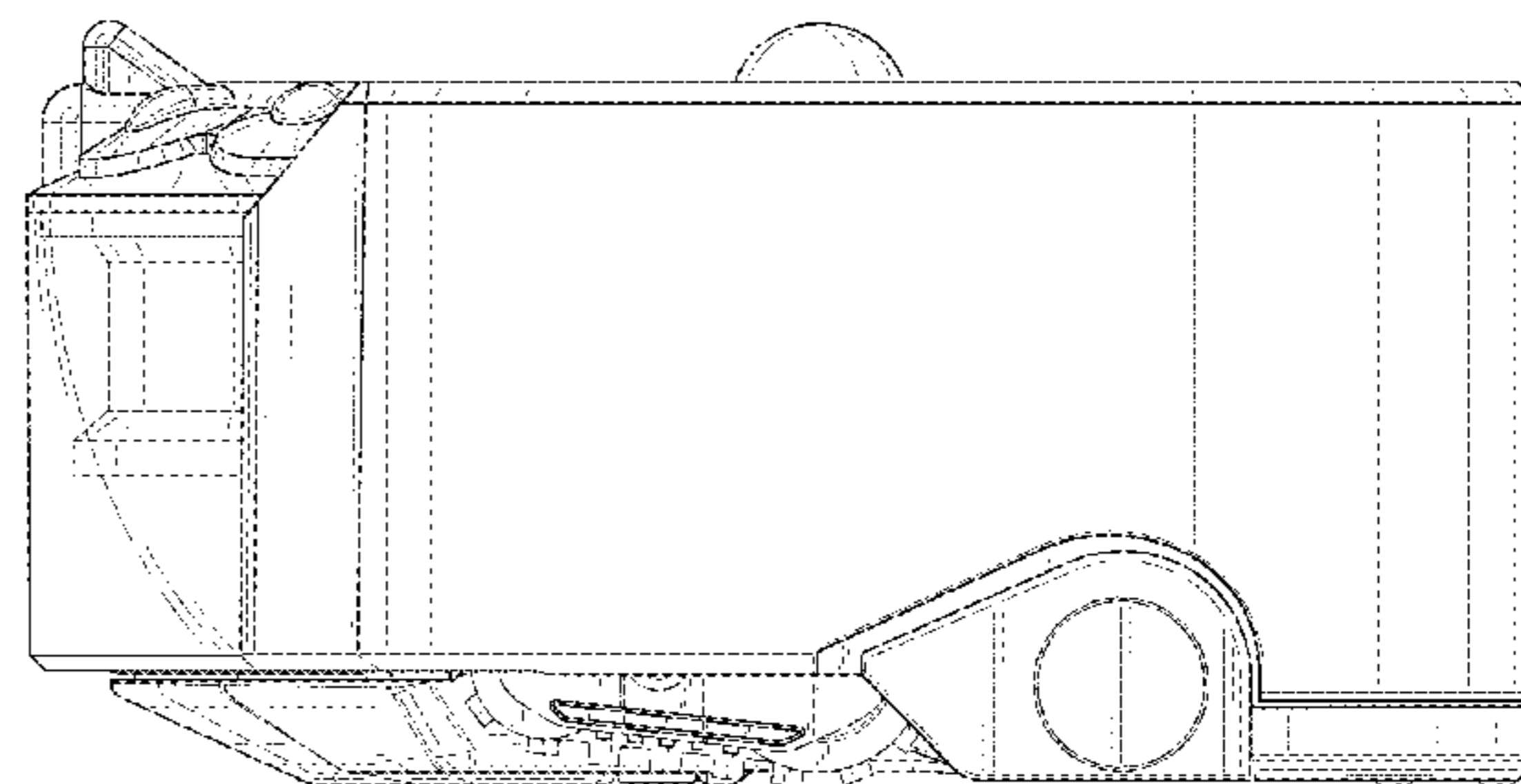
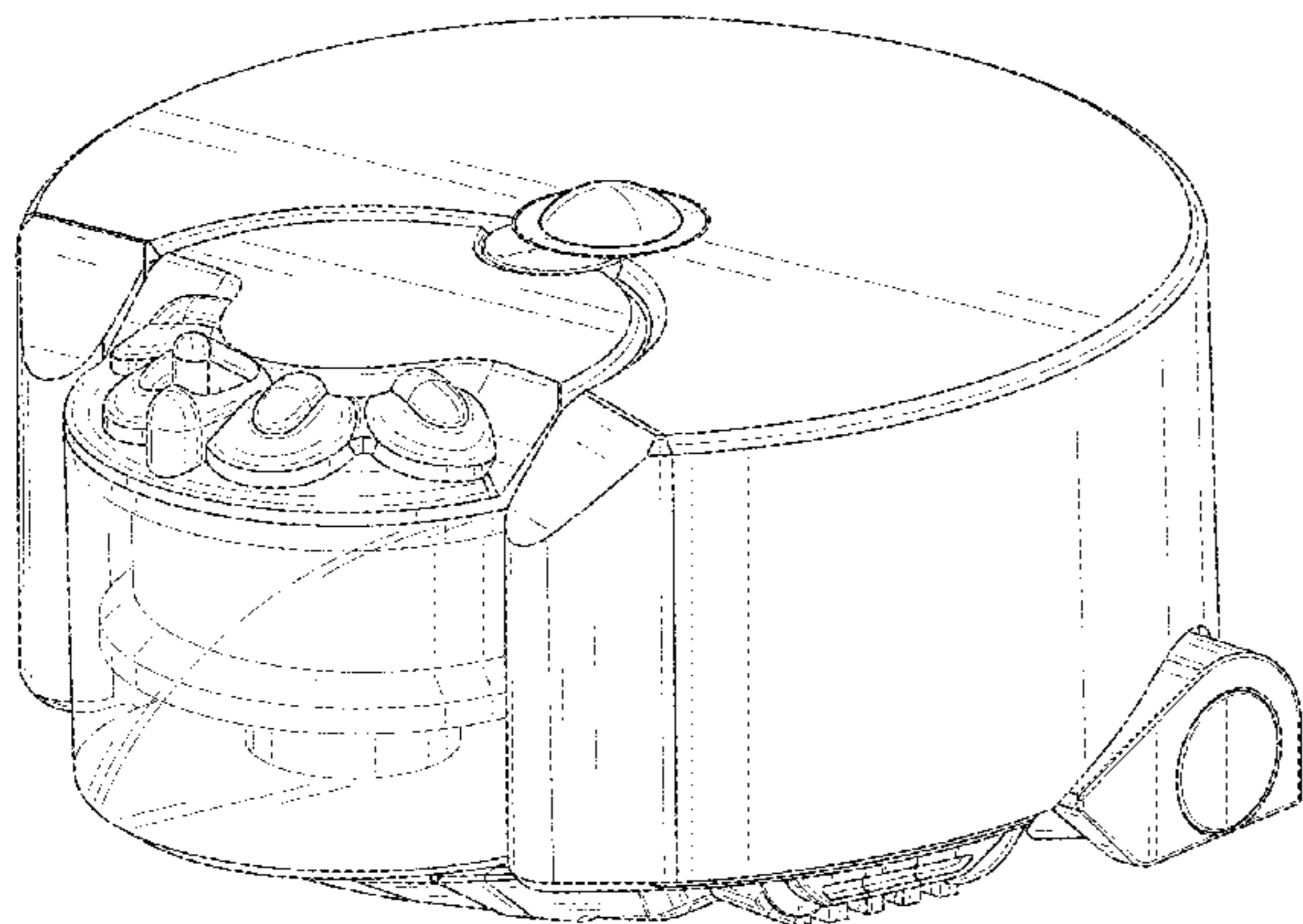
(57) **CLAIM**

We claim the ornamental design for a vacuum cleaner, as shown and described.

**DESCRIPTION**

FIG. 1 is a perspective view of a vacuum cleaner showing our new design;  
FIG. 2 is a front view thereof;  
FIG. 3 is a rear view thereof;  
FIG. 4 is a side view thereof;  
FIG. 5 is a side view of the opposite side of FIG. 4; and,  
FIG. 6 is a top view thereof.

**1 Claim, 6 Drawing Sheets**



(56)

**References Cited**

U.S. PATENT DOCUMENTS

D690,478 S 9/2013 Li et al.  
 D691,337 S 10/2013 Kim et al.  
 8,584,307 B2 11/2013 Won et al.  
 8,627,542 B2 1/2014 Kim et al.  
 D710,558 S \* 8/2014 Mitchell ..... D32/21  
 D710,559 S \* 8/2014 Mitchell ..... D32/21  
 D718,911 S \* 12/2014 Vanderstegen-Drake ..... D32/21  
 D753,356 S \* 4/2016 Vanderstegen-Drake ..... D32/21  
 2006/0288519 A1 12/2006 Jaworski et al.  
 2007/0266508 A1 11/2007 Jones et al.  
 2011/0191976 A1 8/2011 Yan  
 2012/0023699 A1 2/2012 Shim et al.  
 2012/0047676 A1 3/2012 Jung et al.  
 2012/0084934 A1 4/2012 Li  
 2012/0317744 A1 12/2012 Gilbert, Jr. et al.  
 2012/0317745 A1 12/2012 Jung et al.  
 2013/0025085 A1 1/2013 Kim et al.  
 2013/0061417 A1 3/2013 Vanderstegen-Drake et al.  
 2013/0086760 A1 4/2013 Han et al.

2013/0152332 A1 6/2013 Jang  
 2013/0305484 A1 \* 11/2013 Dyson ..... A47L 9/009  
 15/353  
 2013/0340201 A1 12/2013 Jang et al.  
 2014/0312813 A1 10/2014 Murchie et al.  
 2016/0058259 A1 \* 3/2016 Mitchell ..... A47L 9/1633  
 15/353

OTHER PUBLICATIONS

Vanderstegen-Drake et al., U.S. Office Action mailed Aug. 12, 2015, directed to U.S. Appl. No. 29/474,610; 10 pages.  
 Vanderstegen-Drake et al., U.S. Office Action mailed Jan. 27, 2014, directed to U.S. Appl. No. 29/450,789; 8 pages.  
 Vanderstegen-Drake et al., U.S. Office Action mailed Jun. 27, 2014, directed to U.S. Appl. No. 29/450,789; 7 pages.  
 Mitchell et al, U.S. Office Action mailed Jan. 27, 2014, directed to U.S. Appl. No. 29/450,791; 8 pages.  
 Mitchell et al, U.S. Office Action mailed Jan. 24, 2014, directed to U.S. Appl. No. 29/450,792; 9 pages.

\* cited by examiner

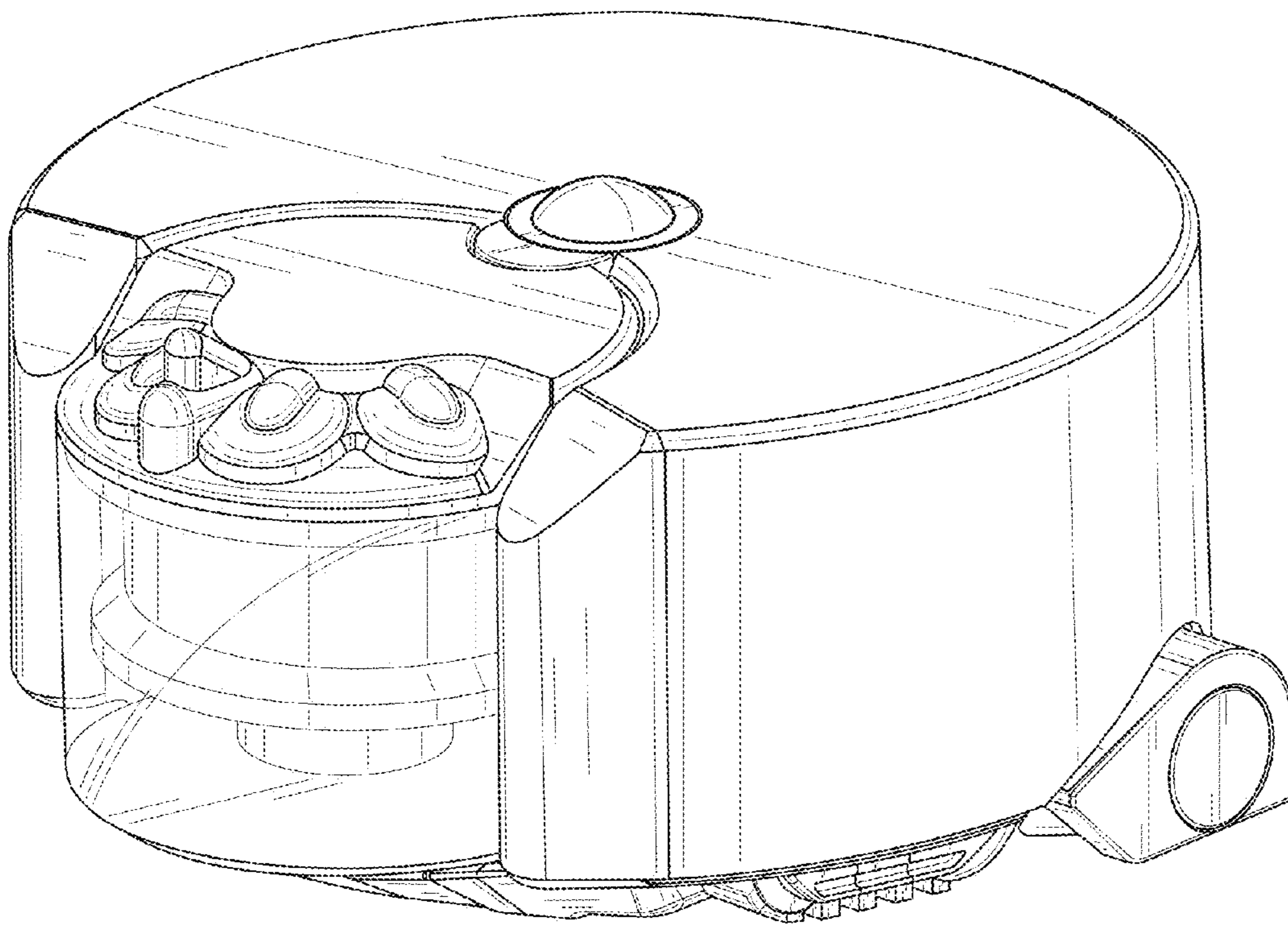


FIG. 1

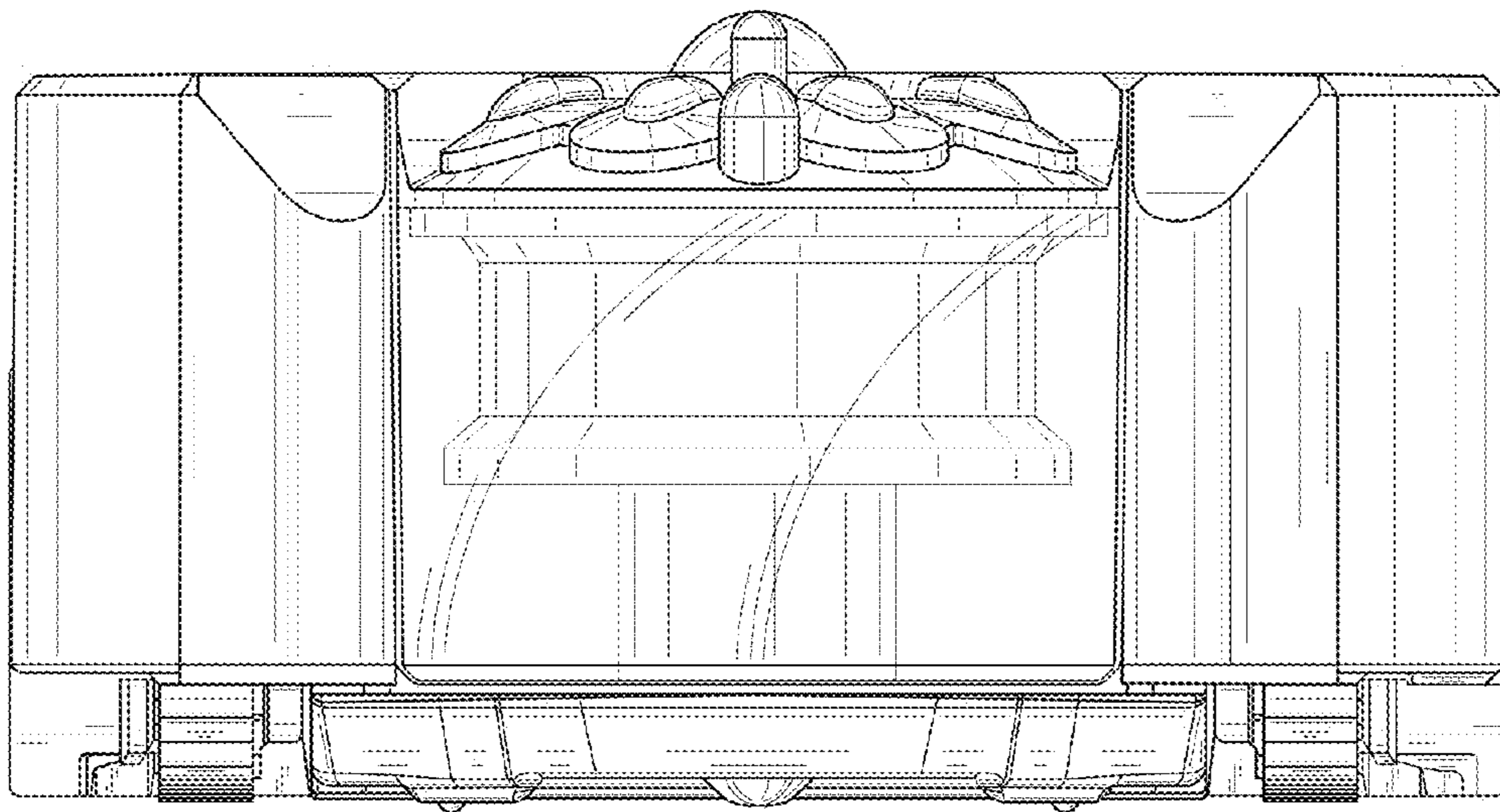


FIG. 2

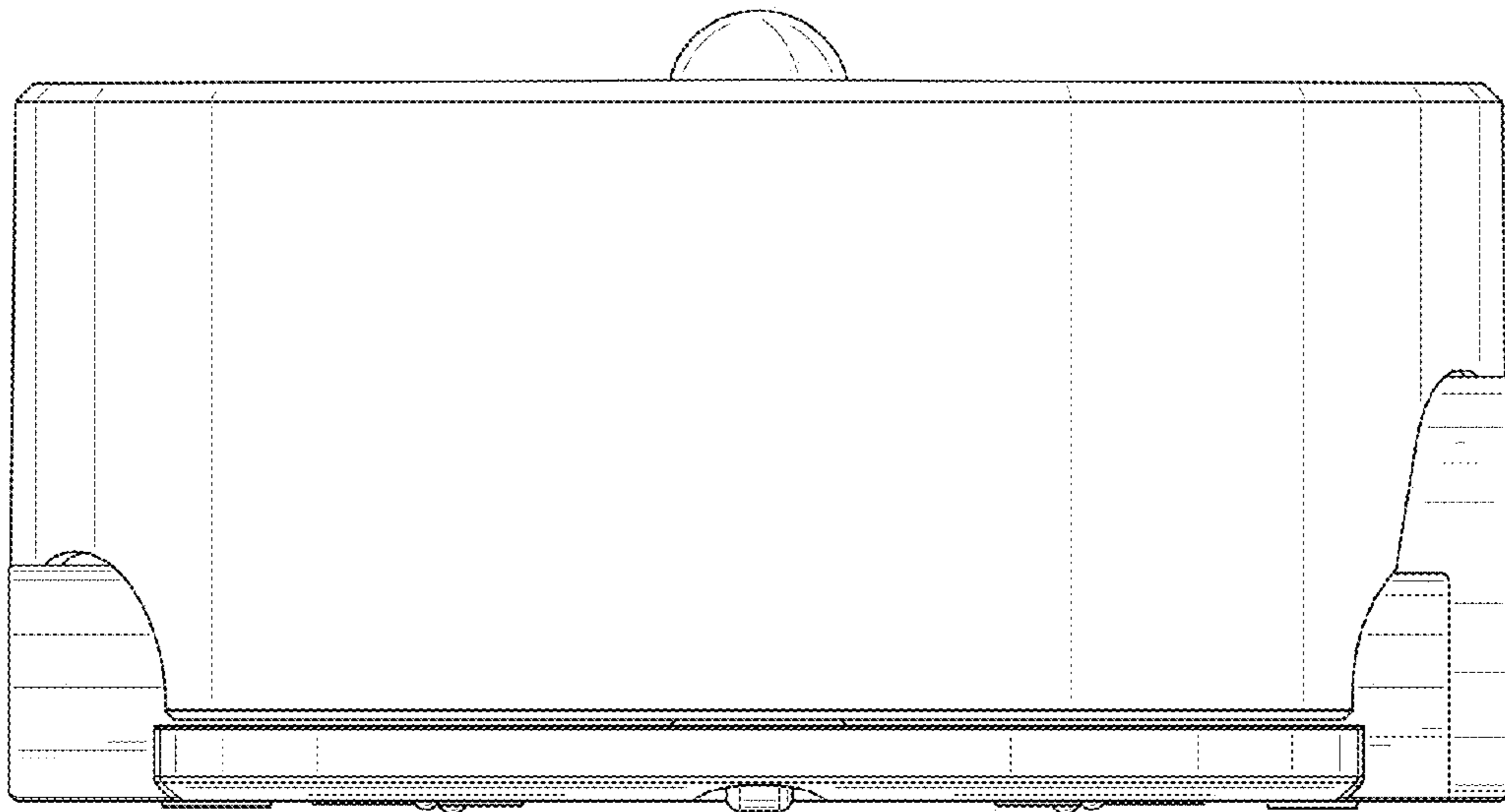


FIG. 3

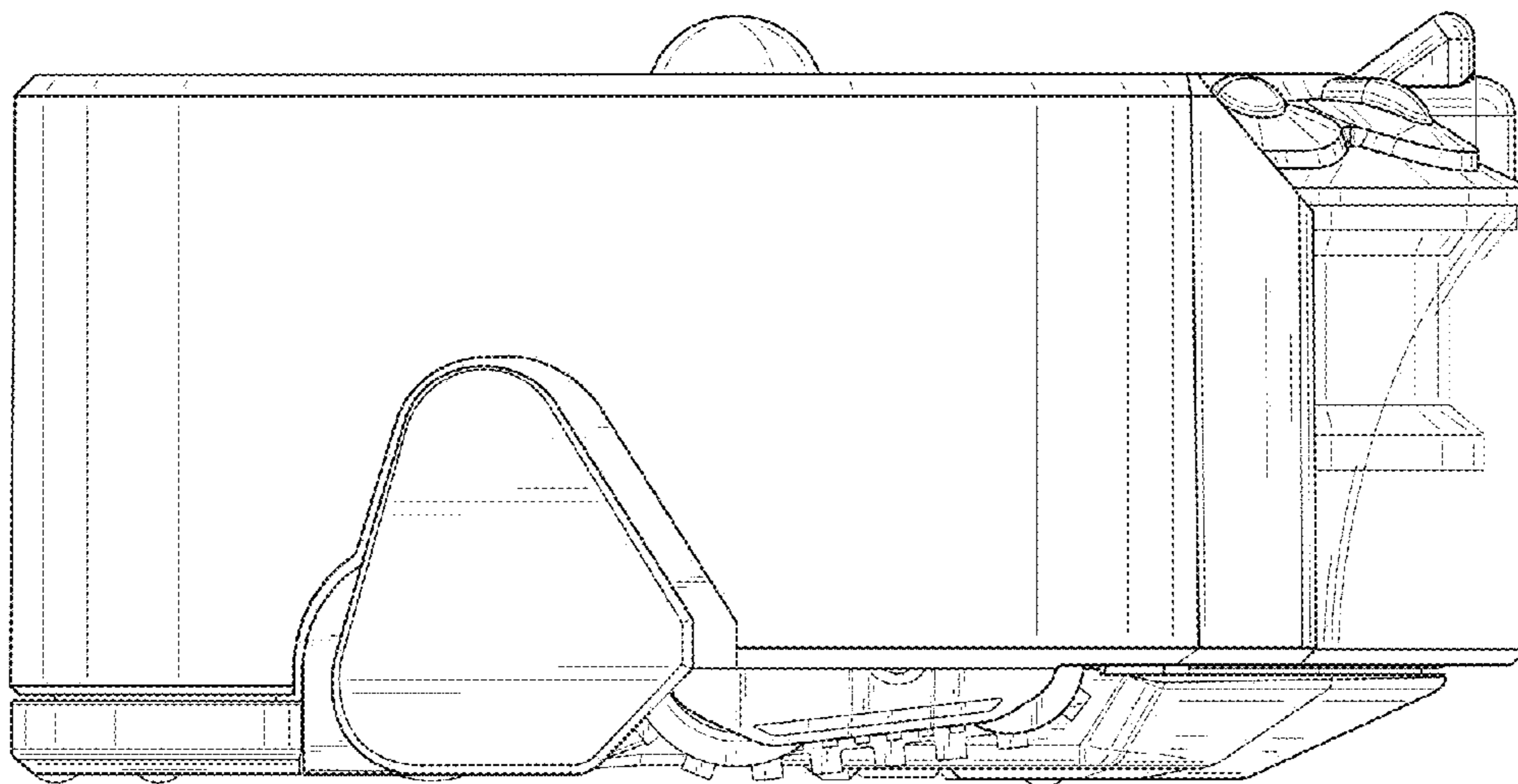


FIG. 4

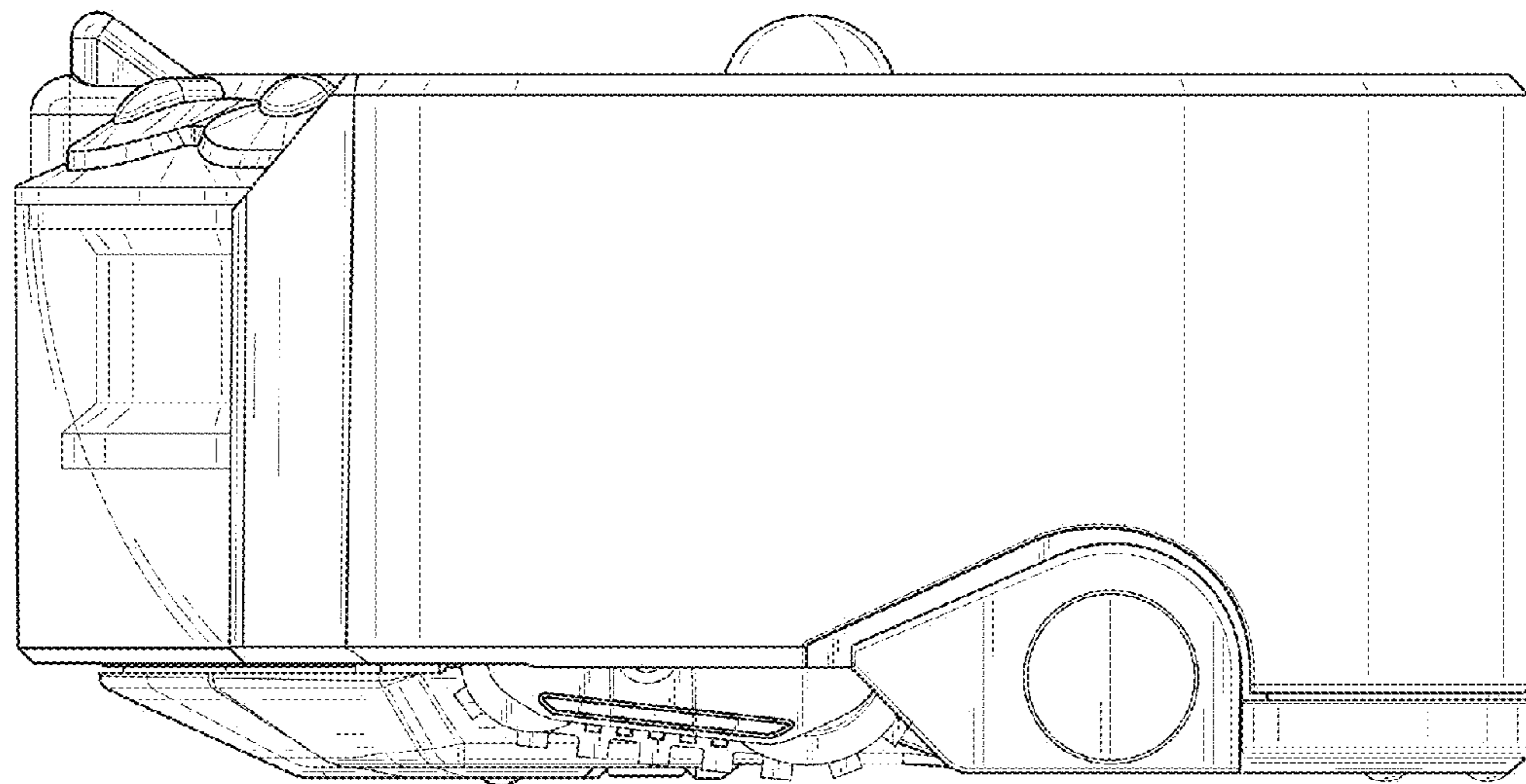


FIG. 5

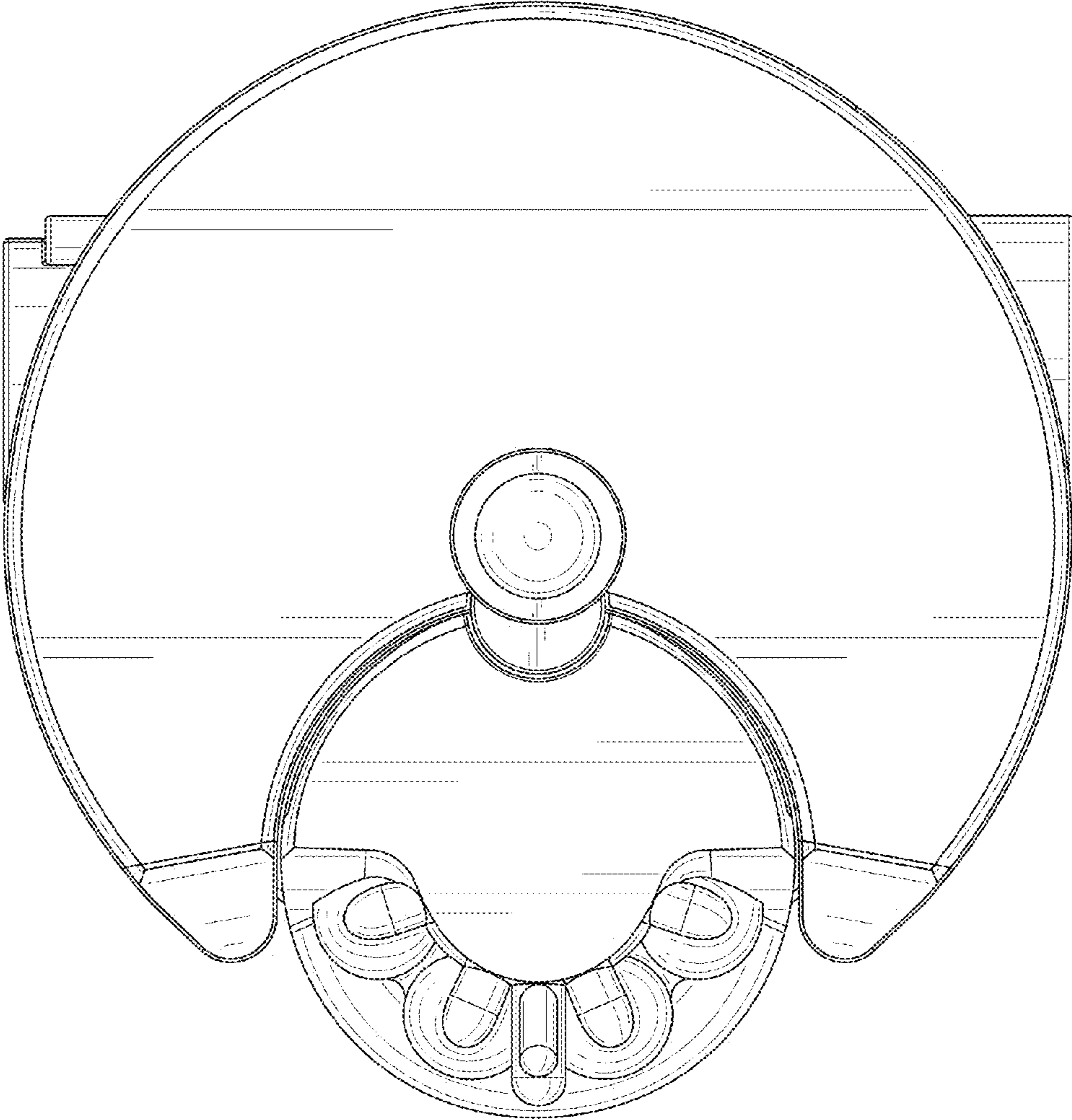


FIG. 6