



US00D764723S

(12) **United States Design Patent**  
**Jo**

(10) **Patent No.:** **US D764,723 S**  
(45) **Date of Patent:** **\*\* Aug. 23, 2016**

- (54) **WASHING MACHINE**
- (71) Applicant: **LG ELECTRONICS INC.**, Seoul (KR)
- (72) Inventor: **Mingyu Jo**, Seoul (KR)
- (73) Assignee: **LG ELECTRONICS INC.**, Seoul (KR)
- (\*\*) Term: **15 Years**
- (21) Appl. No.: **29/544,597**
- (22) Filed: **Nov. 4, 2015**
- (30) **Foreign Application Priority Data**

- Jun. 16, 2015 (KR) ..... 30-2015-0030255
- (51) **LOC (10) Cl.** ..... **15-05**
- (52) **U.S. Cl.**  
USPC ..... **D32/6**
- (58) **Field of Classification Search**  
USPC ..... D32/1, 5-6, 8, 25, 28, 29  
CPC ... D06F 33/02; D06F 39/02; D06F 2204/065;  
D06F 25/00; D06F 35/006  
See application file for complete search history.

(56) **References Cited**

**U.S. PATENT DOCUMENTS**

- D177,010 S \* 3/1956 Boldt ..... D32/6
- D193,677 S \* 9/1962 Bengtson ..... D32/8
- D236,152 S \* 7/1975 Yamamoto ..... D32/8

- D536,145 S \* 1/2007 Lee ..... D32/6
- D588,312 S \* 3/2009 Lee ..... D32/8
- D589,216 S \* 3/2009 Park ..... D32/6
- D589,217 S \* 3/2009 Park ..... D32/6
- D591,915 S \* 5/2009 Lee ..... D32/8
- D690,061 S \* 9/2013 Kim ..... D32/6
- D695,979 S \* 12/2013 Lee ..... D32/6

\* cited by examiner

*Primary Examiner* — Michael A Pratt  
*Assistant Examiner* — Michelle E Wilson  
(74) *Attorney, Agent, or Firm* — Dentons US LLP

(57) **CLAIM**

I claim the ornamental design for a washing machine, as shown and described.

**DESCRIPTION**

FIG. 1 is a perspective view of a washing machine showing my new design;  
FIG. 2 is a front elevation view thereof;  
FIG. 3 is a rear elevation view thereof;  
FIG. 4 is a left-side elevation view thereof;  
FIG. 5 is a right-side elevation view thereof;  
FIG. 6 is a top plan view thereof;  
FIG. 7 is a bottom plan view thereof;  
FIG. 8 is a perspective view coupled with an ordinary washing machine; and,  
FIG. 9 is a perspective view coupled with another ordinary washing machine.  
The dash-dot broken lines are included for the purpose of illustrating environment and form no part of the claimed design.

**1 Claim, 6 Drawing Sheets**

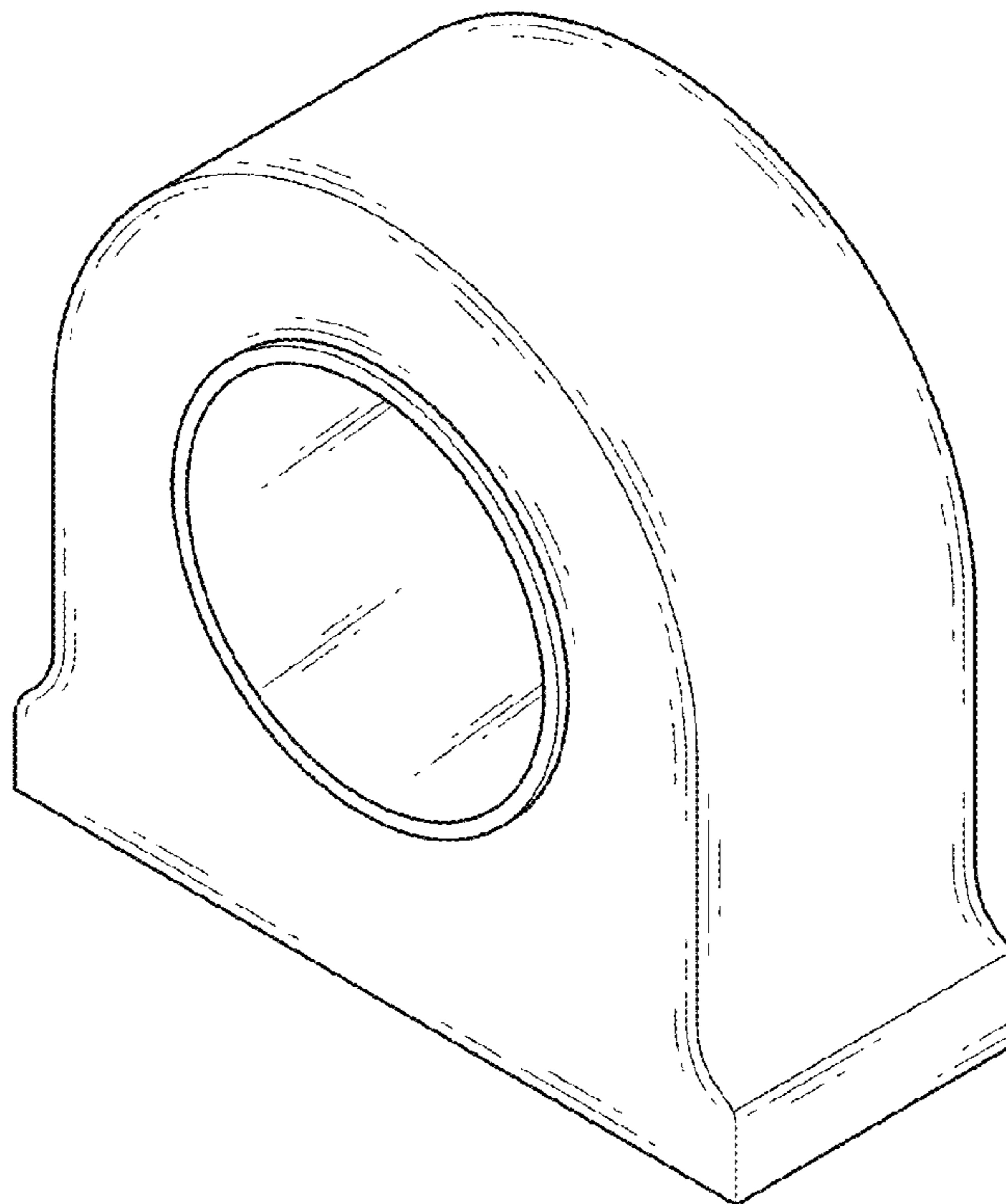


FIG. 1

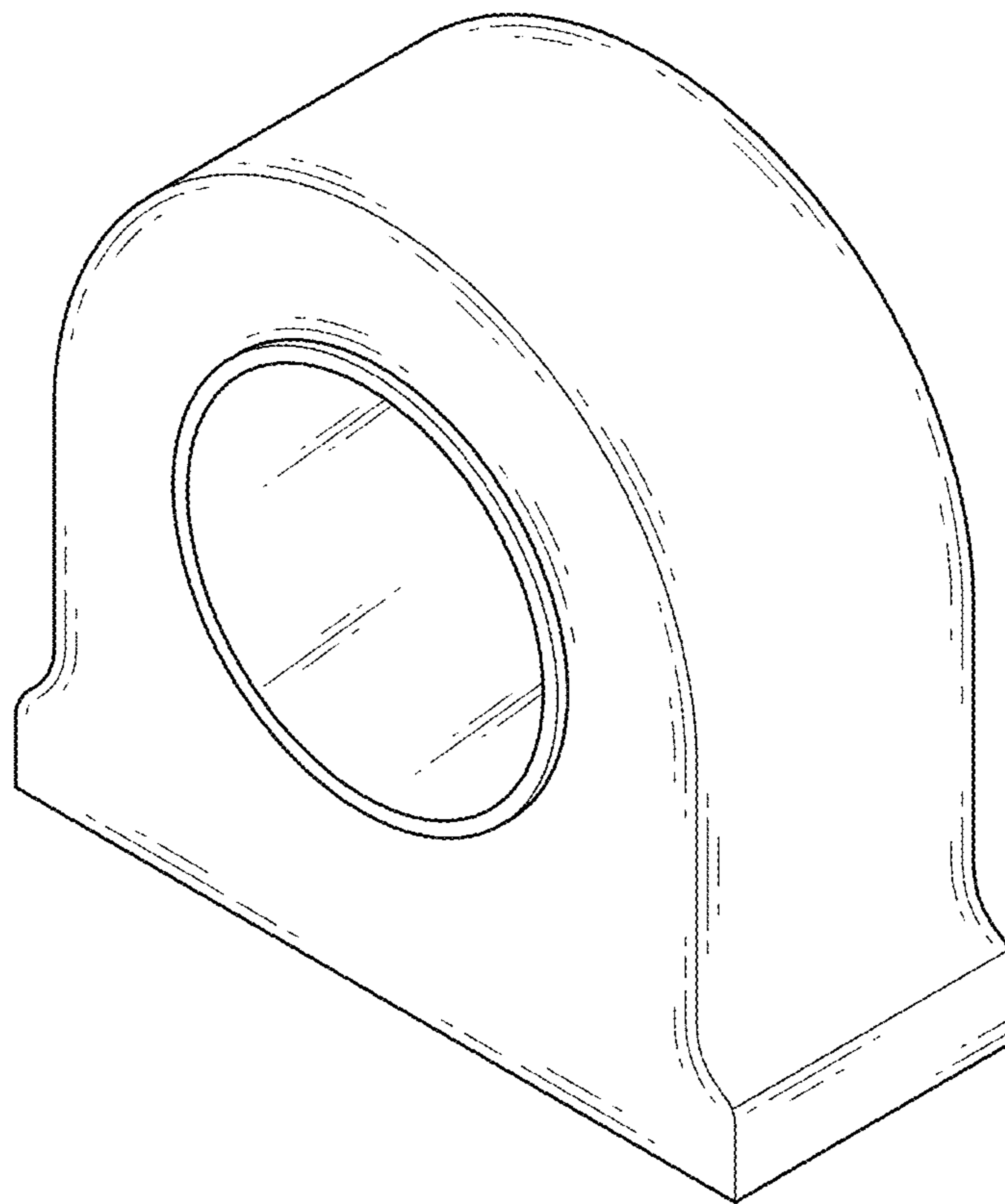


FIG. 2

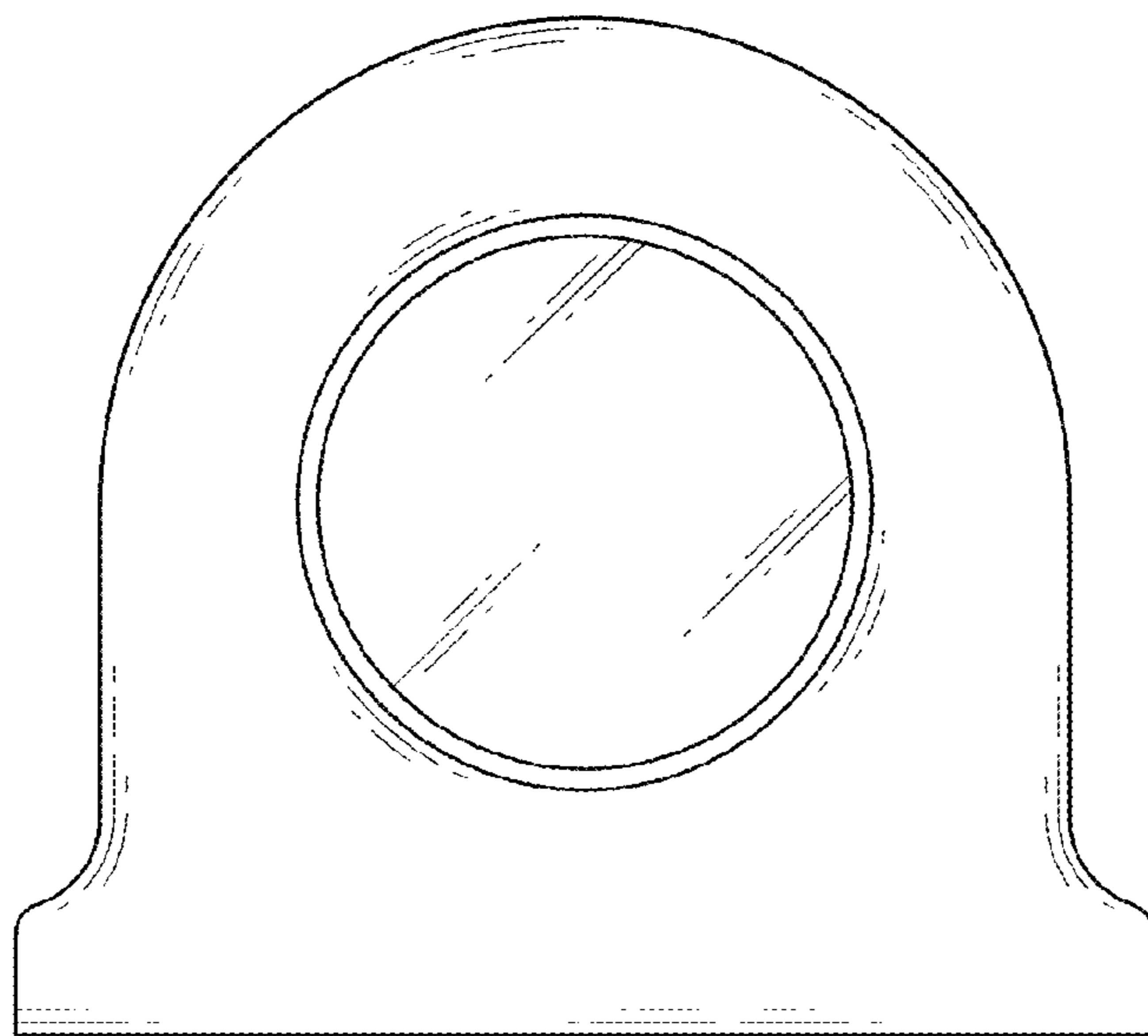


FIG. 3

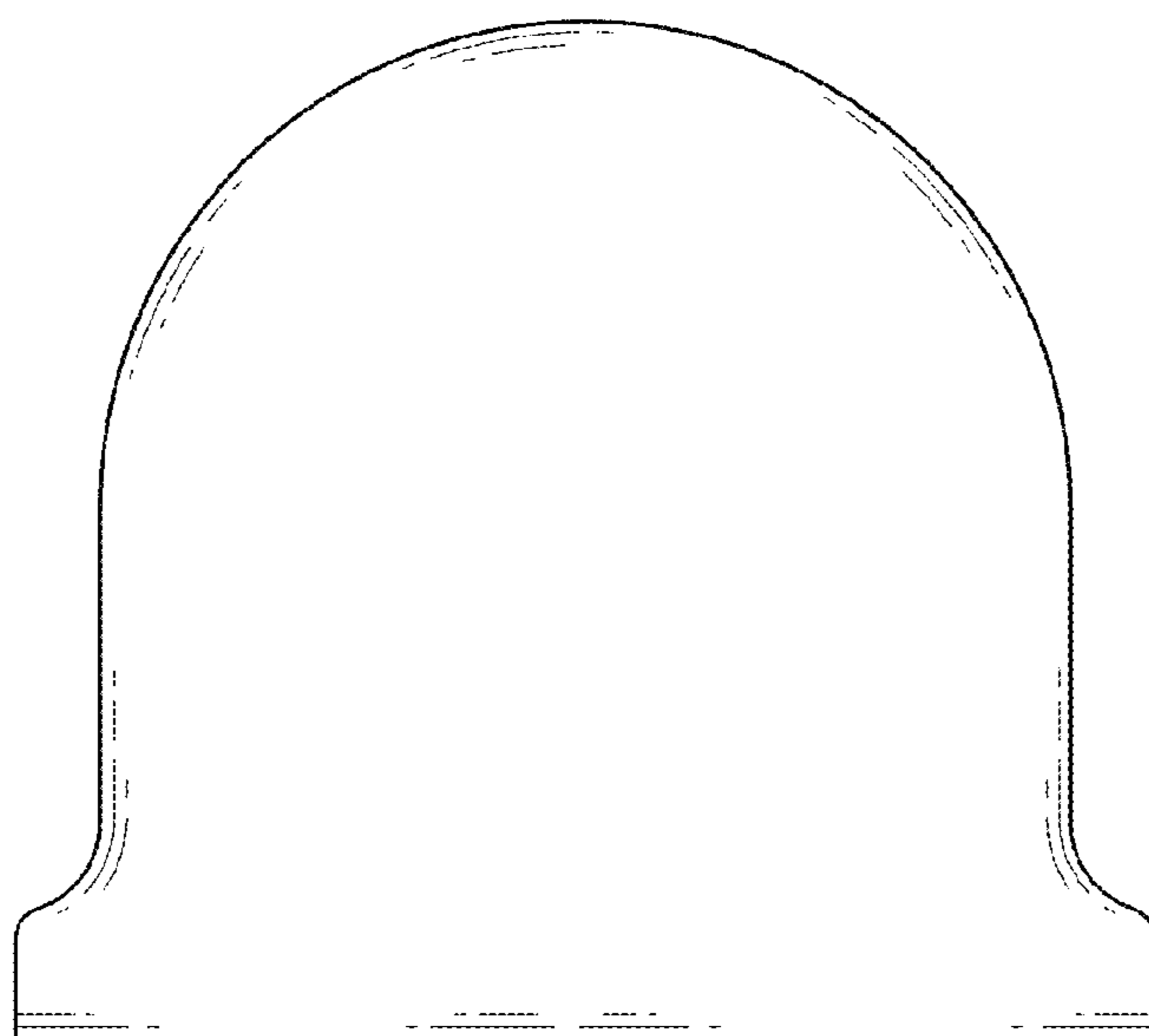


FIG. 4

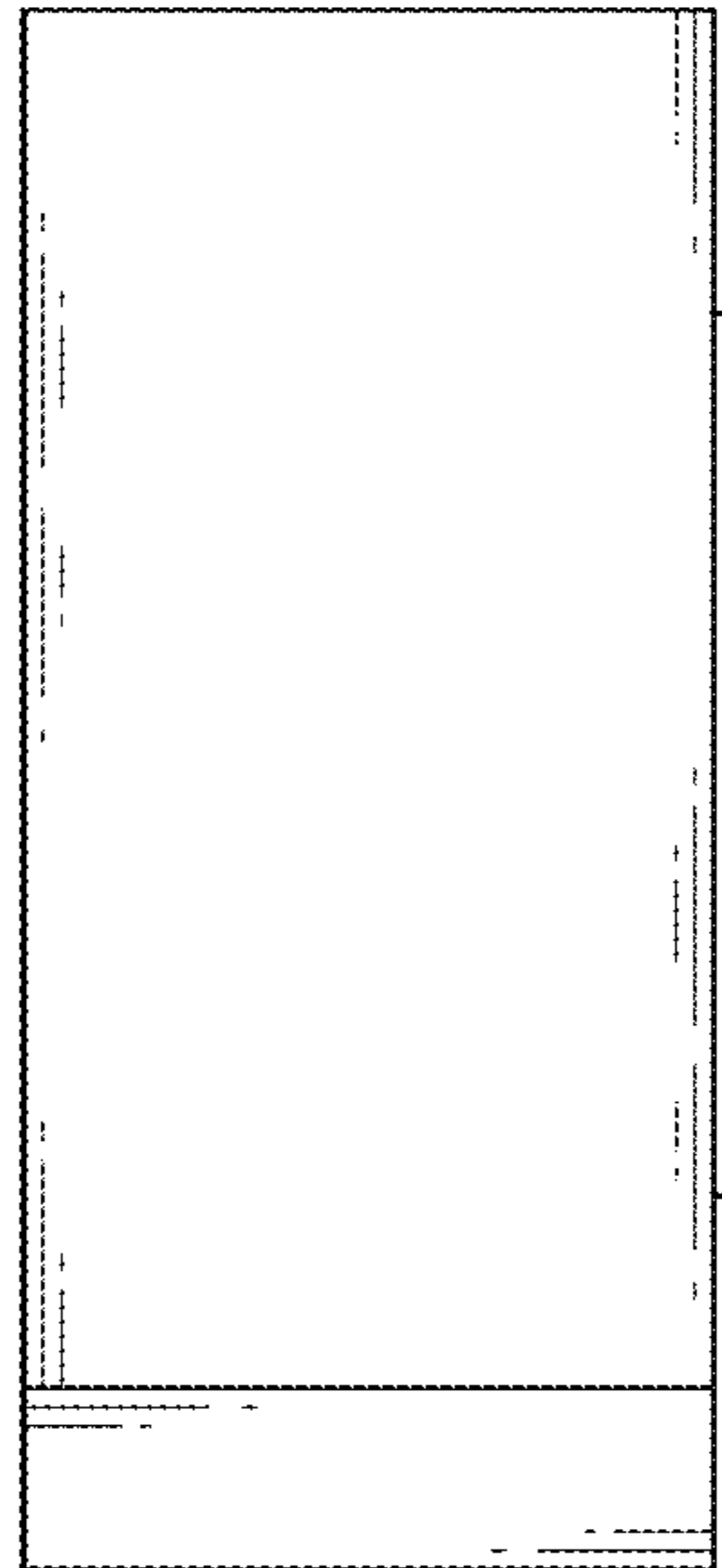


FIG. 5

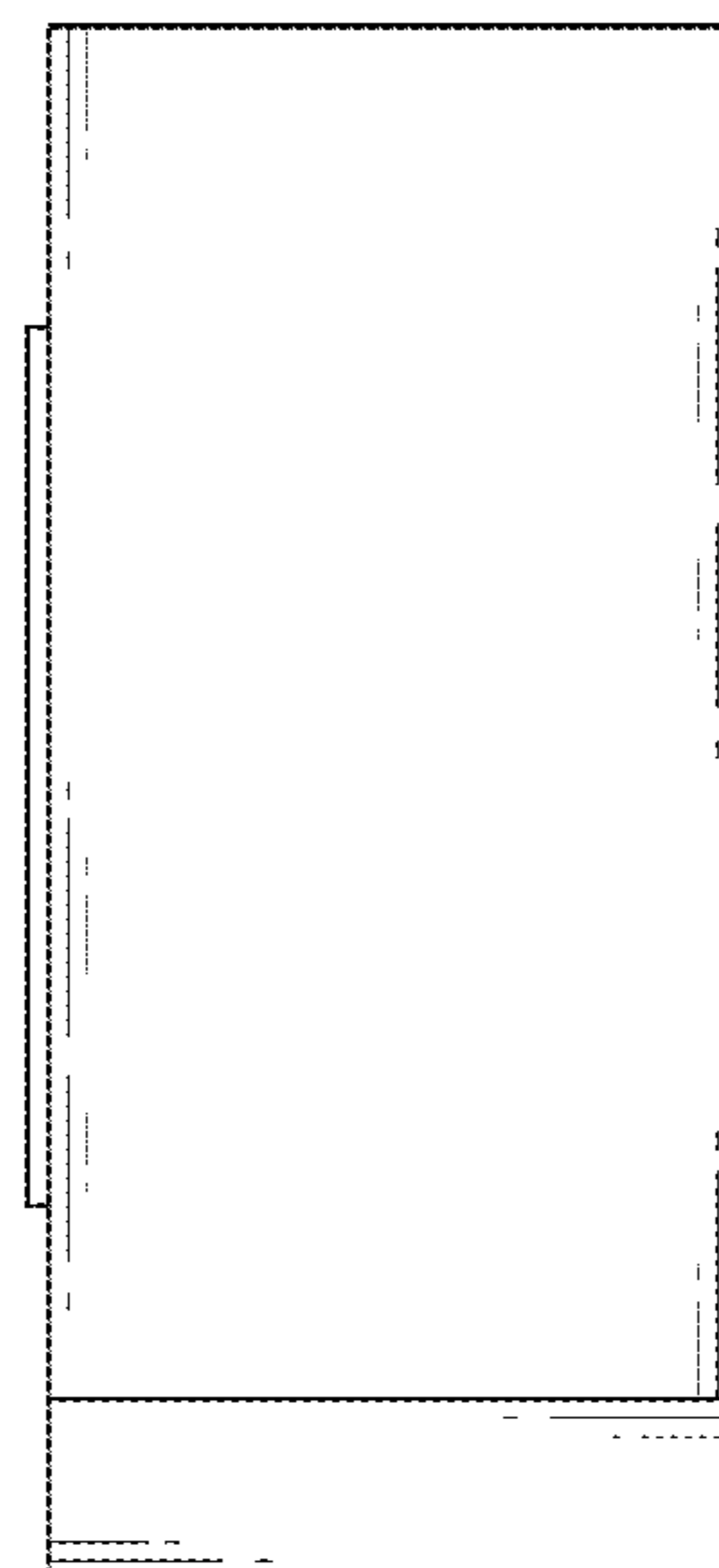


FIG. 6

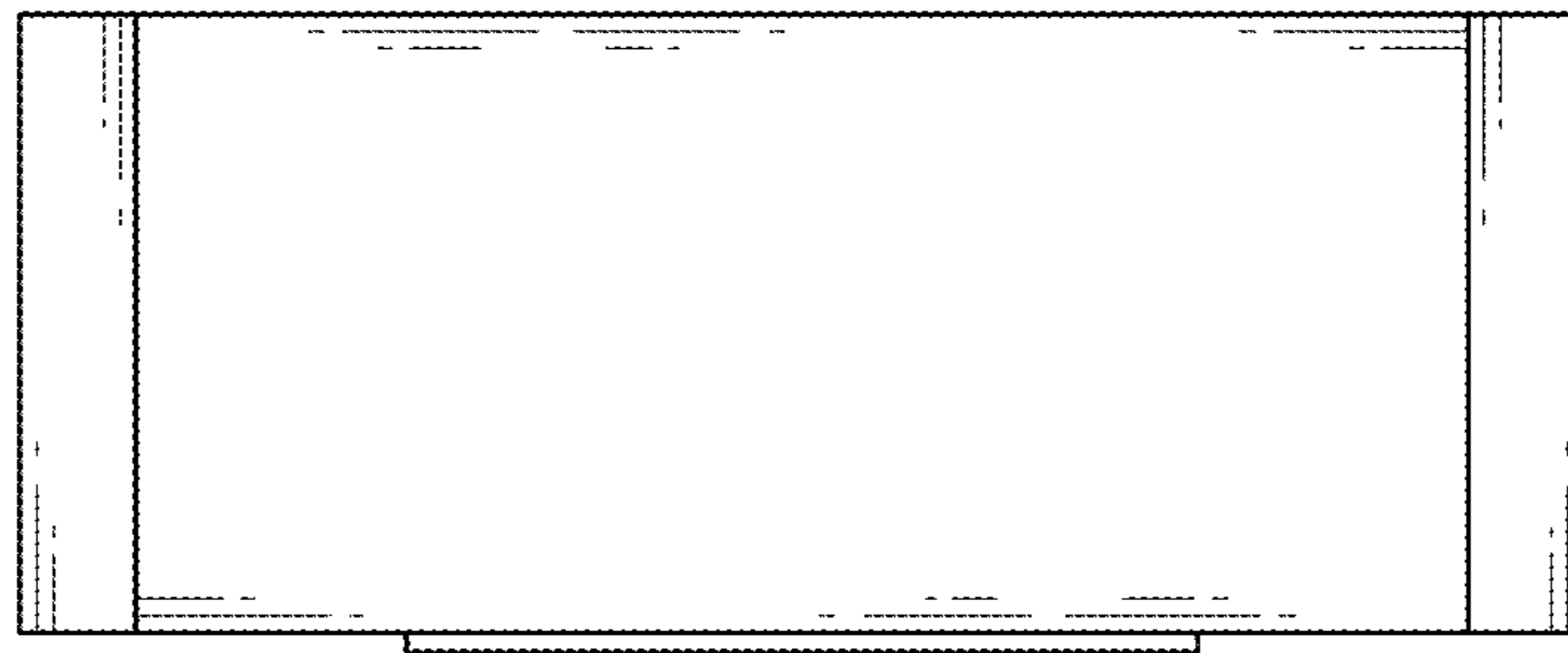


FIG. 7

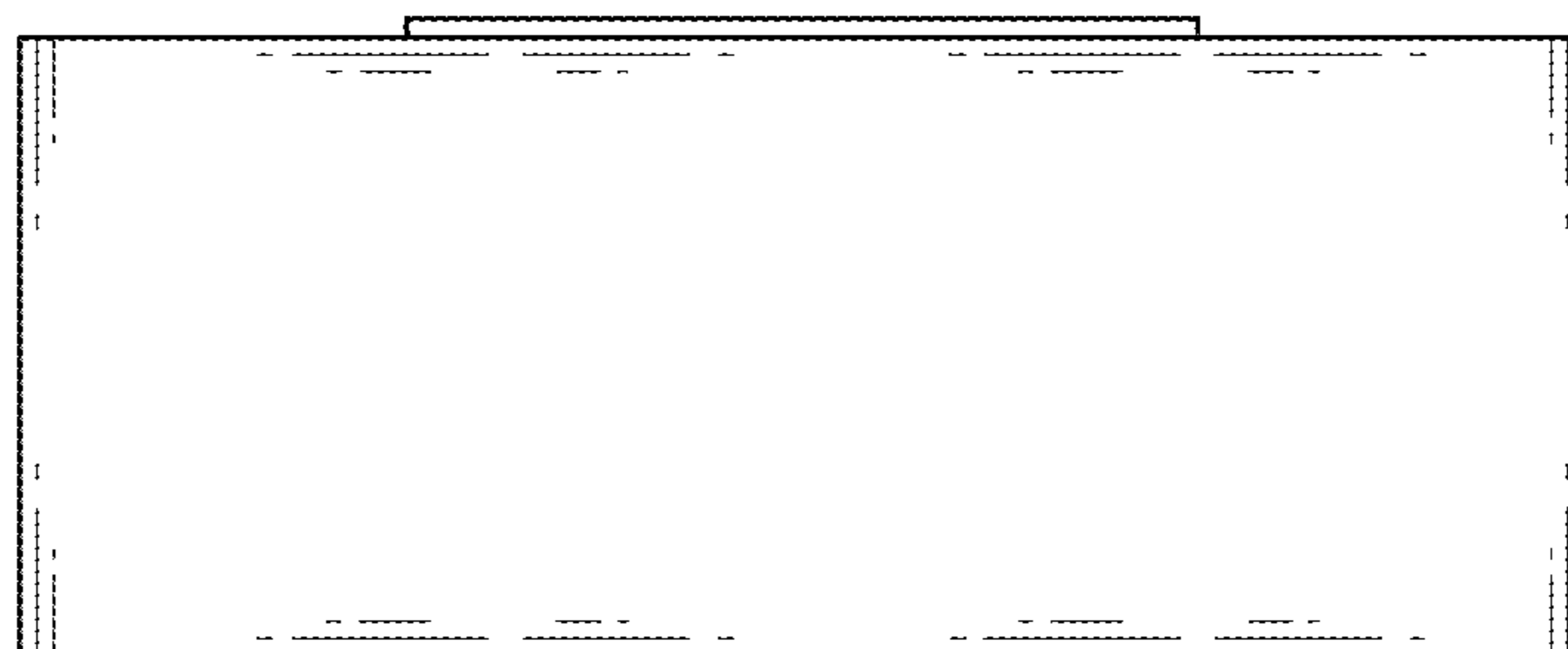


FIG. 8

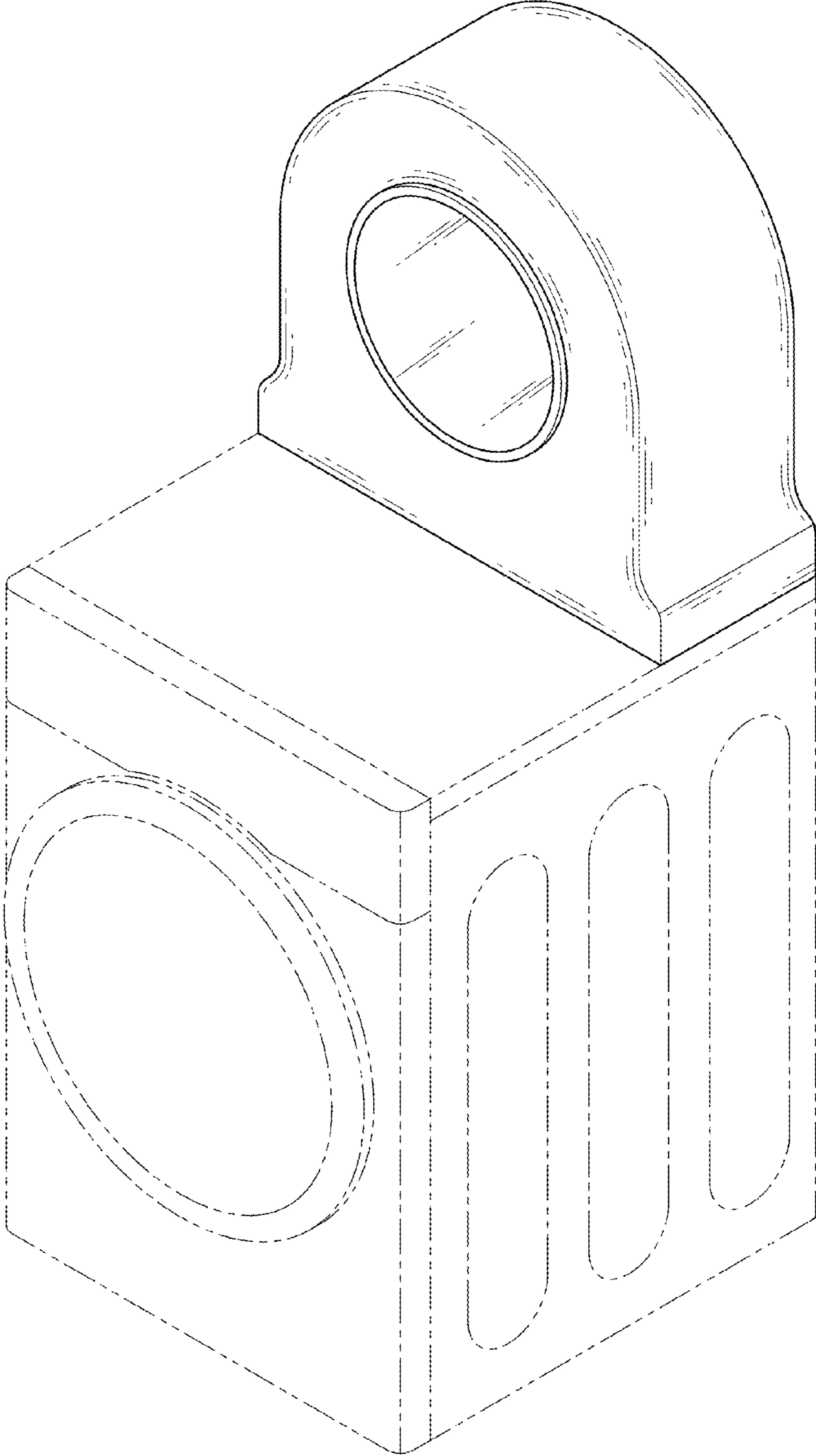


FIG. 9

