



US00D764722S

(12) **United States Design Patent**  
**Jo**

(10) **Patent No.:** **US D764,722 S**  
(45) **Date of Patent:** **\*\* Aug. 23, 2016**

(54) **WASHING MACHINE**  
(71) Applicant: **LG ELECTRONICS INC.**, Seoul (KR)  
(72) Inventor: **Mingyu Jo**, Seoul (KR)  
(73) Assignee: **LG ELECTRONICS INC.**, Seoul (KR)  
(\*\*) Term: **15 Years**  
(21) Appl. No.: **29/544,541**  
(22) Filed: **Nov. 4, 2015**

(30) **Foreign Application Priority Data**  
Jun. 16, 2015 (KR) ..... 30-2015-0030254  
(51) **LOC (10) Cl.** ..... **15-05**  
(52) **U.S. Cl.**  
USPC ..... **D32/6**  
(58) **Field of Classification Search**  
USPC ..... D32/1, 5-6, 8, 25, 28, 29  
CPC ... D06F 33/02; D06F 39/02; D06F 2204/065;  
D06F 25/00; D06F 35/006; D06F 58/00;  
D06F 58/02; D06F 58/04; D06F 58/20;  
D06F 23/04; G05B 19/042  
See application file for complete search history.

(56) **References Cited**  
U.S. PATENT DOCUMENTS  
D151,001 S \* 9/1948 Perl ..... D32/6  
D178,260 S \* 7/1956 Perl et al. .... D32/6

4,534,188 A \* 8/1985 Fey ..... D06F 29/00  
312/272  
D515,257 S \* 2/2006 Geyer ..... D32/6  
D536,903 S \* 2/2007 Bixby ..... D32/6  
D606,267 S \* 12/2009 Shor ..... D32/6  
D607,619 S \* 1/2010 Kim ..... D32/6  
D694,965 S \* 12/2013 Lee ..... D32/6  
D733,372 S \* 6/2015 Song ..... D32/6  
D739,095 S \* 9/2015 Shu ..... D32/6  
D744,177 S \* 11/2015 Jung ..... D32/6  
2011/0041560 A1 \* 2/2011 Lee ..... D06F 29/00  
68/9

\* cited by examiner

*Primary Examiner* — Michael A. Pratt  
*Assistant Examiner* — Michelle E Wilson  
(74) *Attorney, Agent, or Firm* — Dentons US LLP

(57) **CLAIM**  
I claim the ornamental design for a washing machine, as shown and described.

**DESCRIPTION**

FIG. 1 is a perspective view of a washing machine showing my new design;  
FIG. 2 is a front elevation view thereof;  
FIG. 3 is a rear elevation view thereof;  
FIG. 4 is a left-side elevation view thereof;  
FIG. 5 is a right-side elevation view thereof;  
FIG. 6 is a top plan view thereof; and,  
FIG. 7 is a bottom plan view thereof.  
The broken lines represent unclaimed portions of the washing machine and form no part of the claimed design.

**1 Claim, 6 Drawing Sheets**

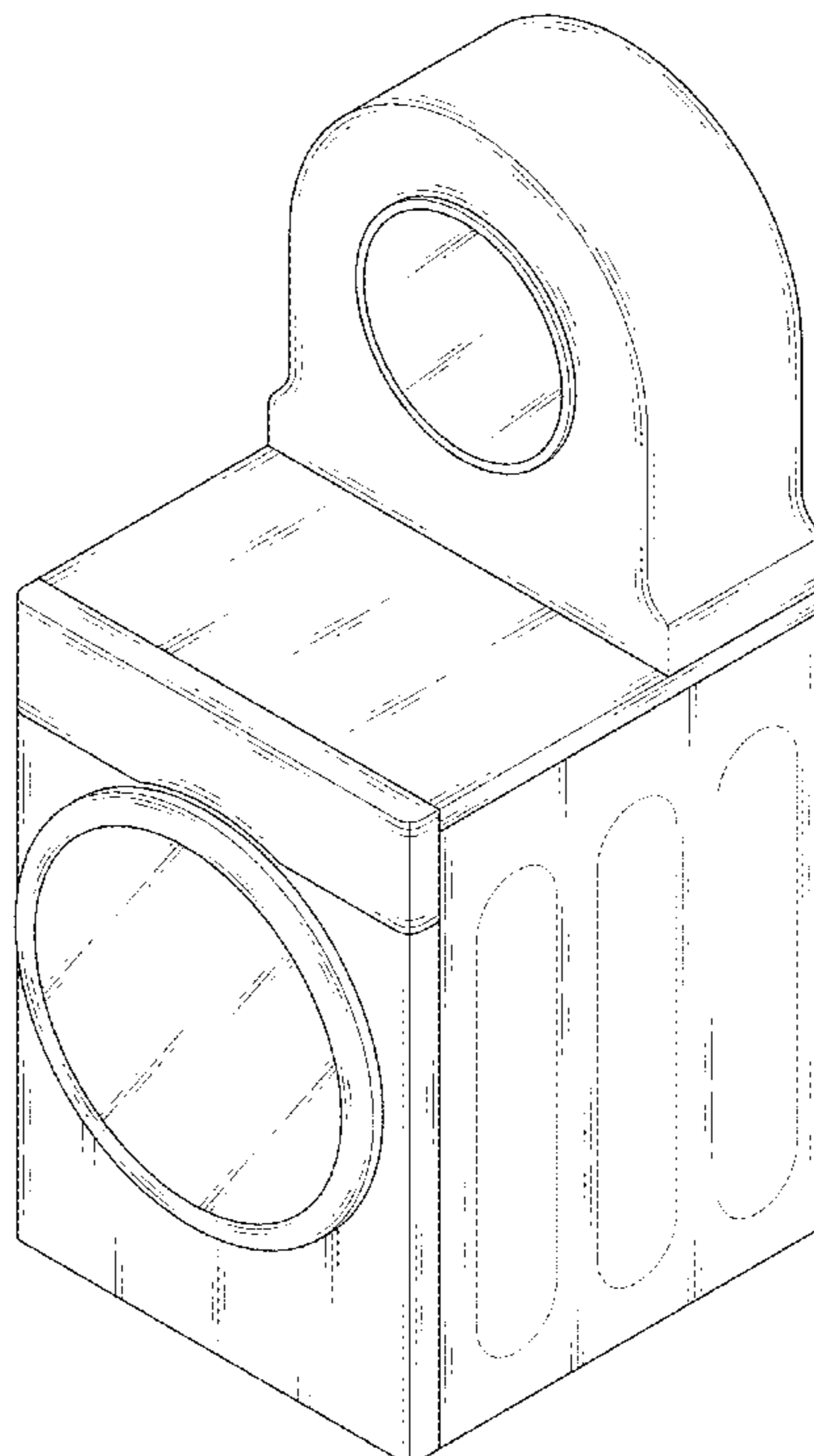


FIG. 1

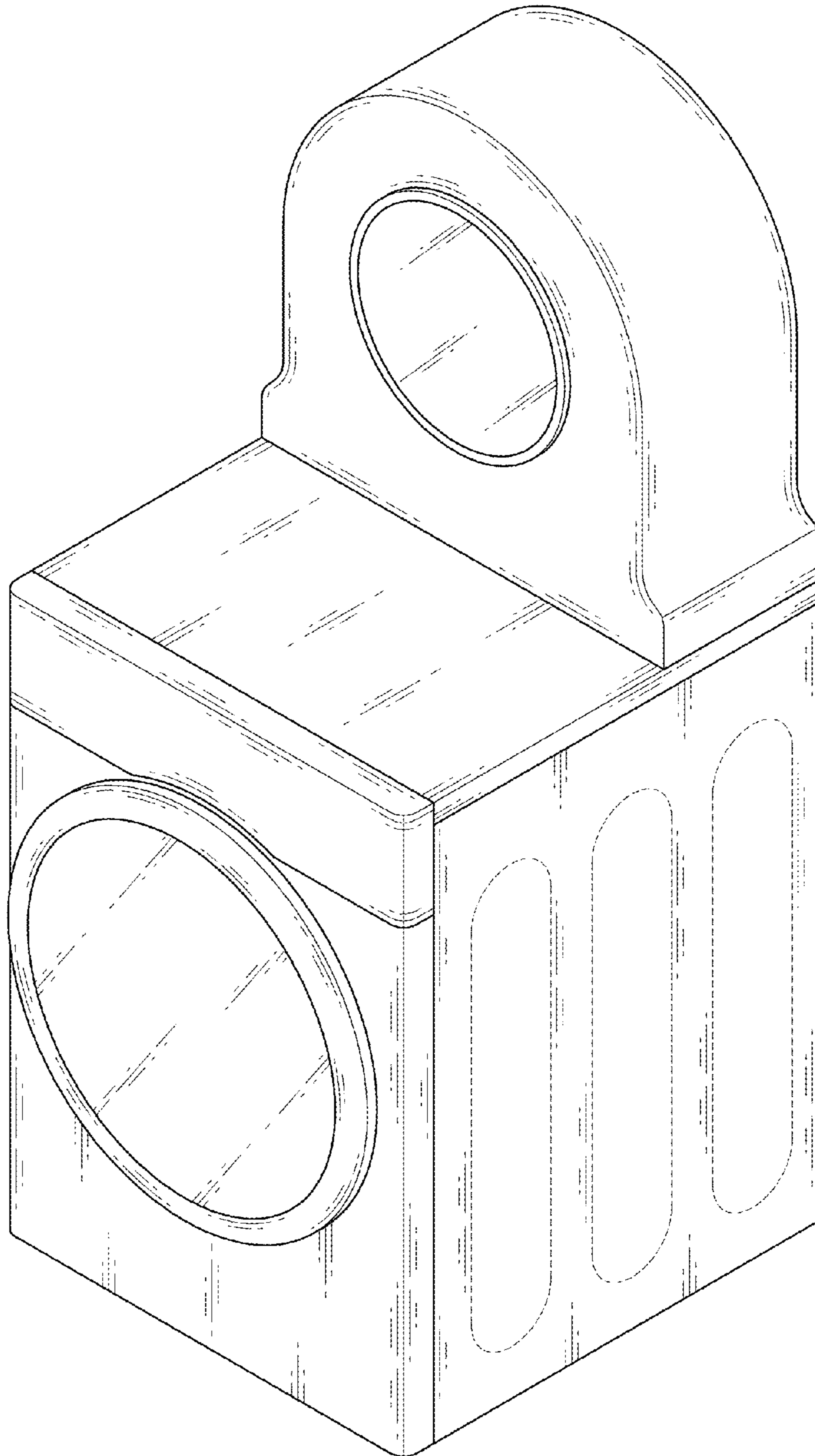


FIG. 2

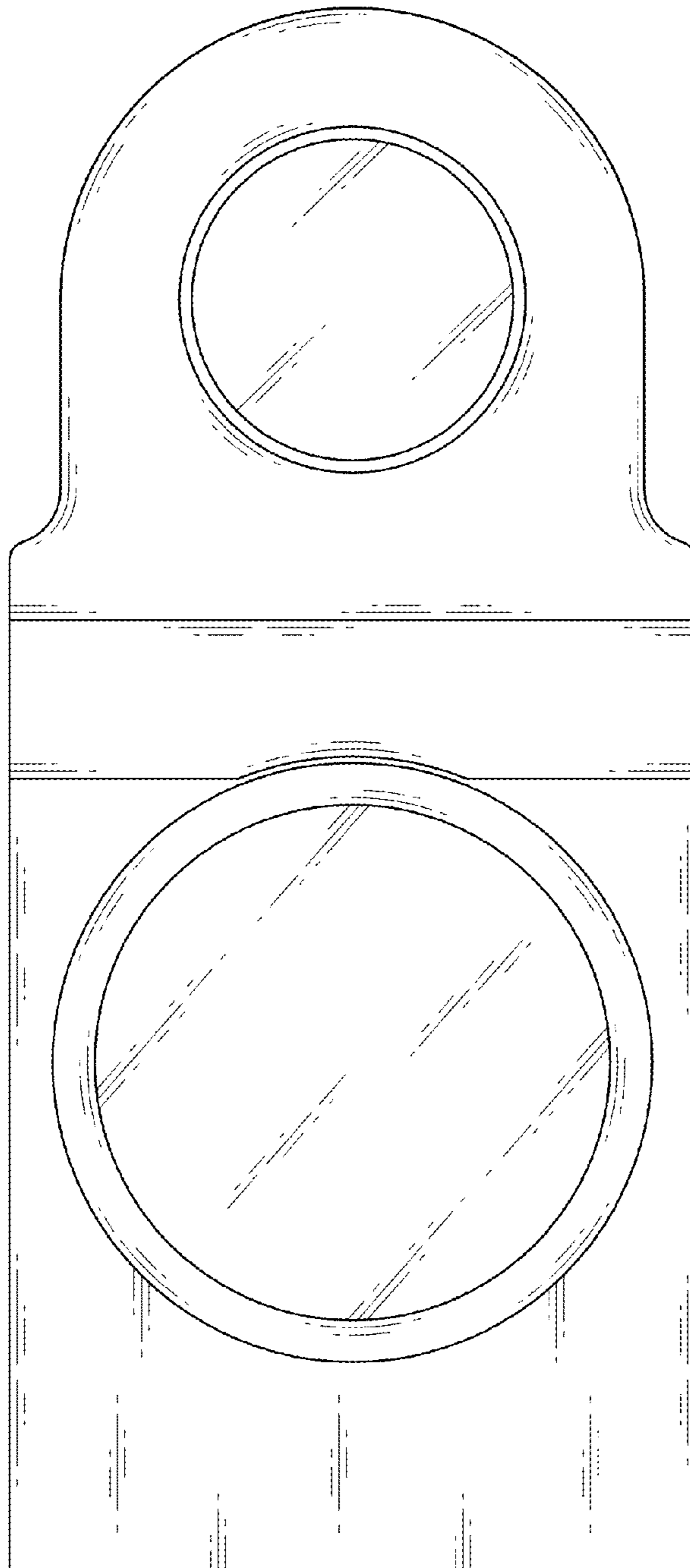


FIG. 3

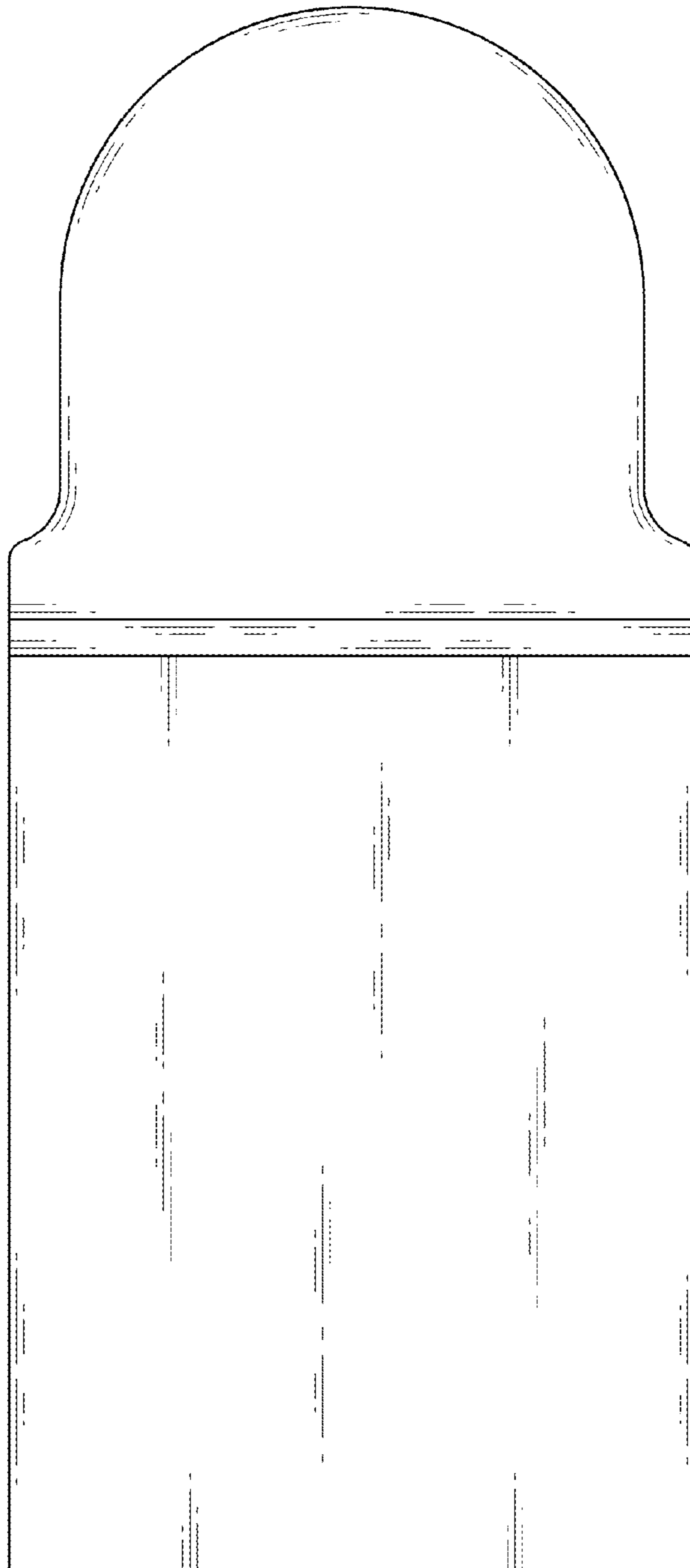


FIG. 4

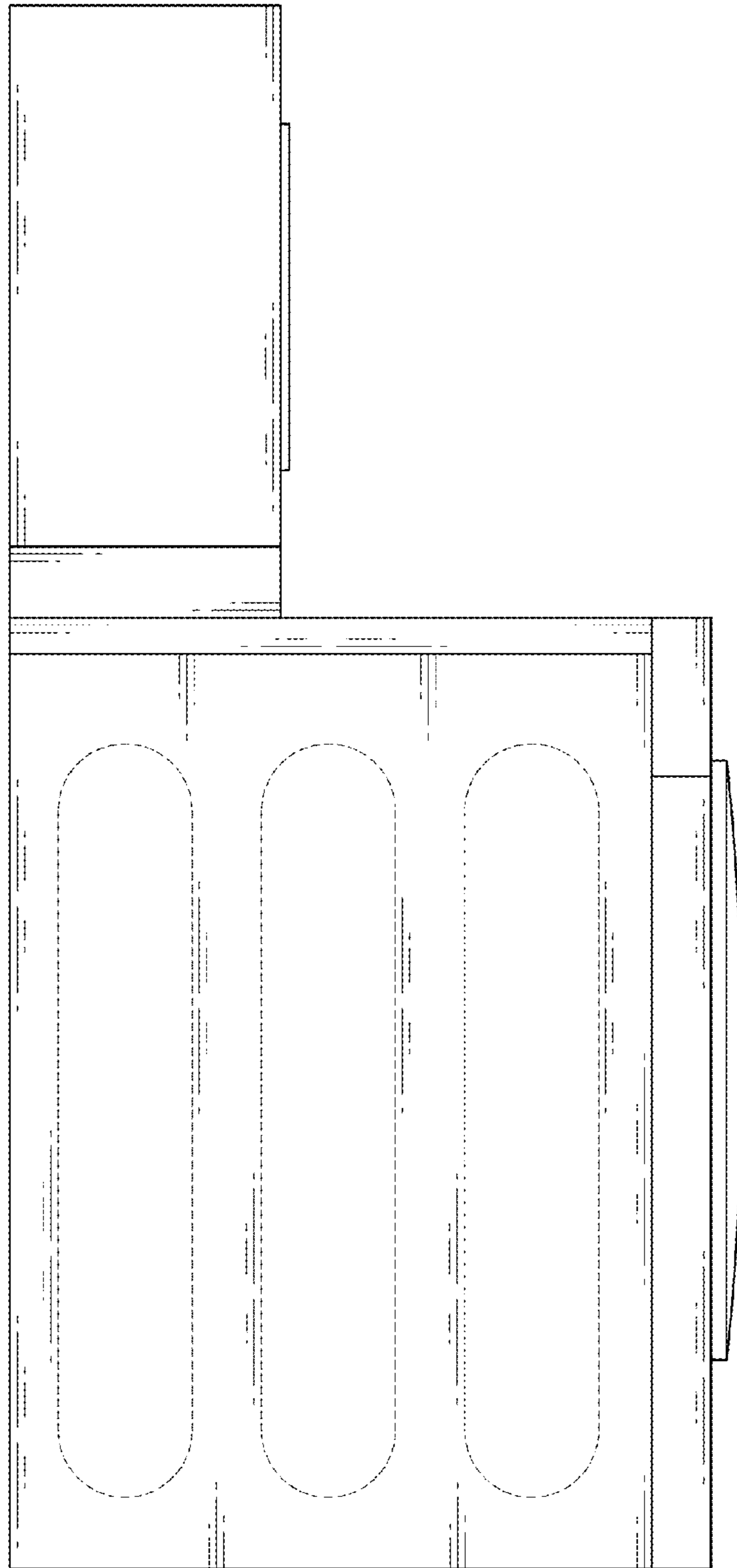


FIG. 5

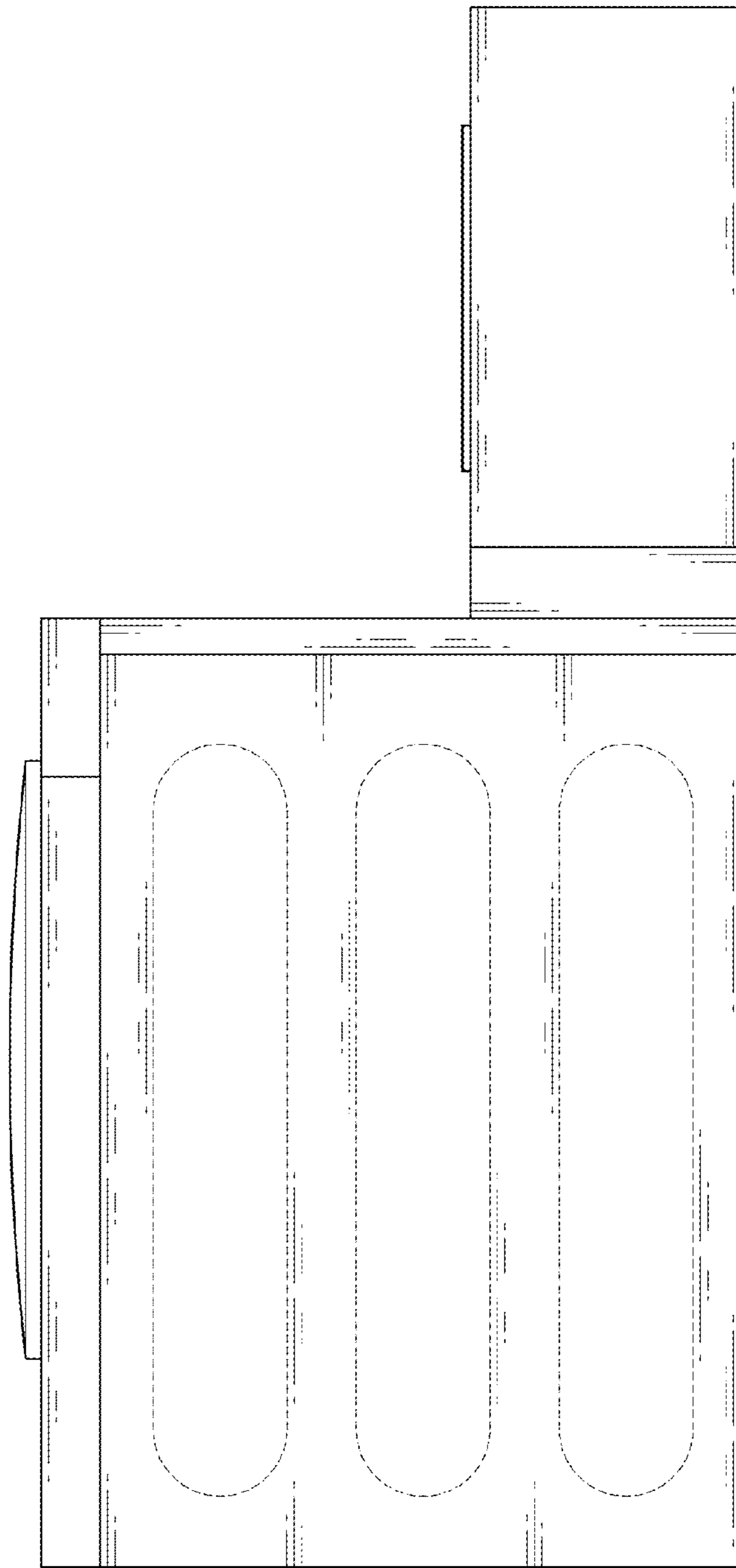


FIG. 6

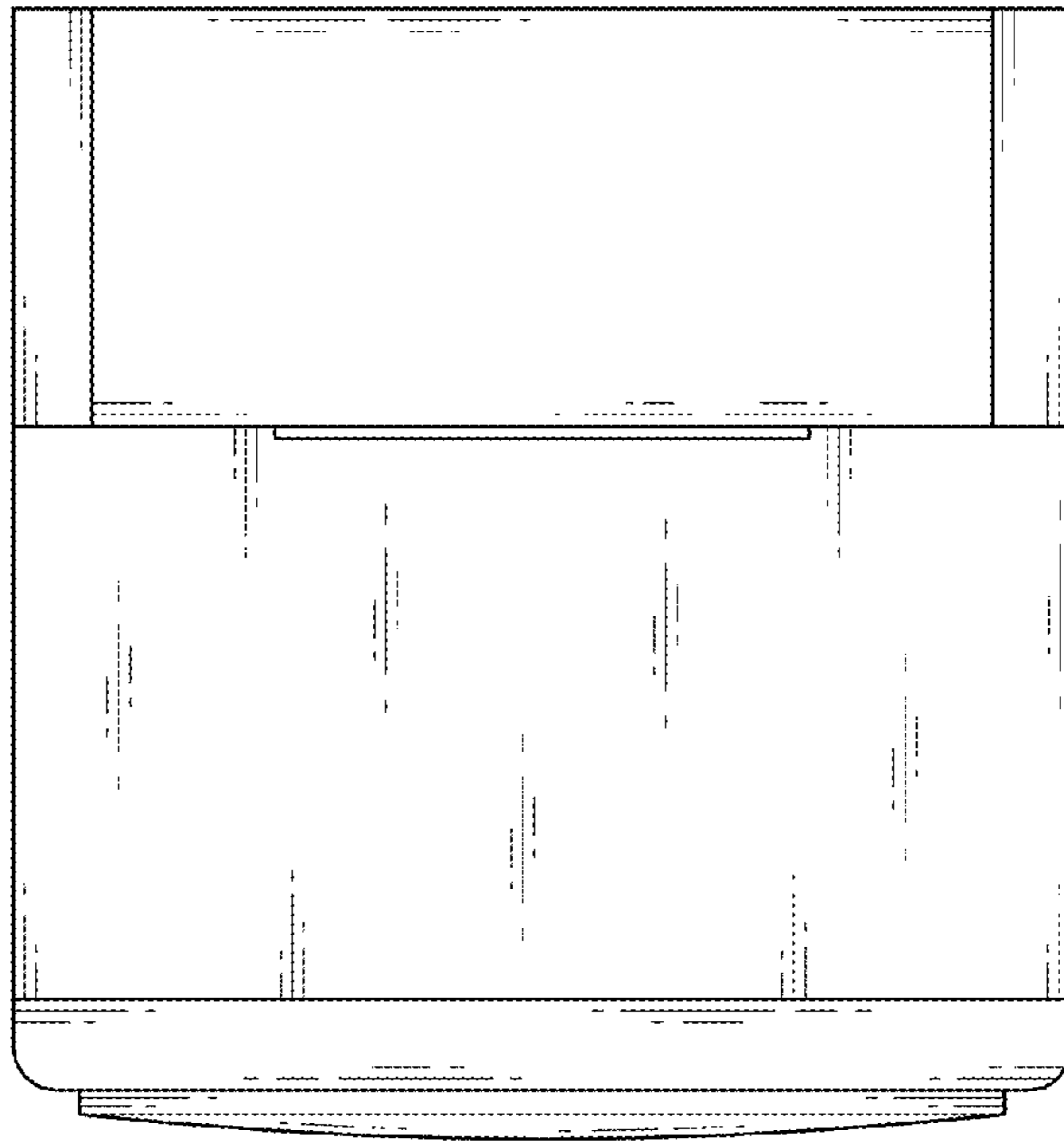


FIG. 7

