



US00D764720S

(12) **United States Design Patent**
Graham

(10) **Patent No.:** **US D764,720 S**

(45) **Date of Patent:** **** Aug. 23, 2016**

- (54) **STIRRUP HANDLE AND ARCH**
- (71) Applicant: **Erin Graham**, Williamsville, NY (US)
- (72) Inventor: **Erin Graham**, Williamsville, NY (US)
- (**) Term: **14 Years**
- (21) Appl. No.: **29/509,228**
- (22) Filed: **Nov. 14, 2014**
- (51) **LOC (10) Cl.** **30-04**
- (52) **U.S. Cl.**
USPC **D30/142**
- (58) **Field of Classification Search**
USPC D30/134, 135, 138, 142
CPC B68C 2003/0091; B68C 3/00; B68C
2003/0041; B68C 3/025
See application file for complete search history.

- (56) **References Cited**
U.S. PATENT DOCUMENTS
D339,665 S * 9/1993 Nishimoula D30/142
D411,667 S * 6/1999 Martin D30/142
5,930,986 A * 8/1999 Meaghan B68C 3/025
54/47
6,062,007 A * 5/2000 Cargill B68C 3/00
54/47

- D491,698 S * 6/2004 Zucchini 54/49
- 8,307,619 B2 * 11/2012 Strauss B68C 3/00
54/47
- 2011/0094275 A1 * 4/2011 Contarino, Jr. B68C 1/00
70/58

* cited by examiner

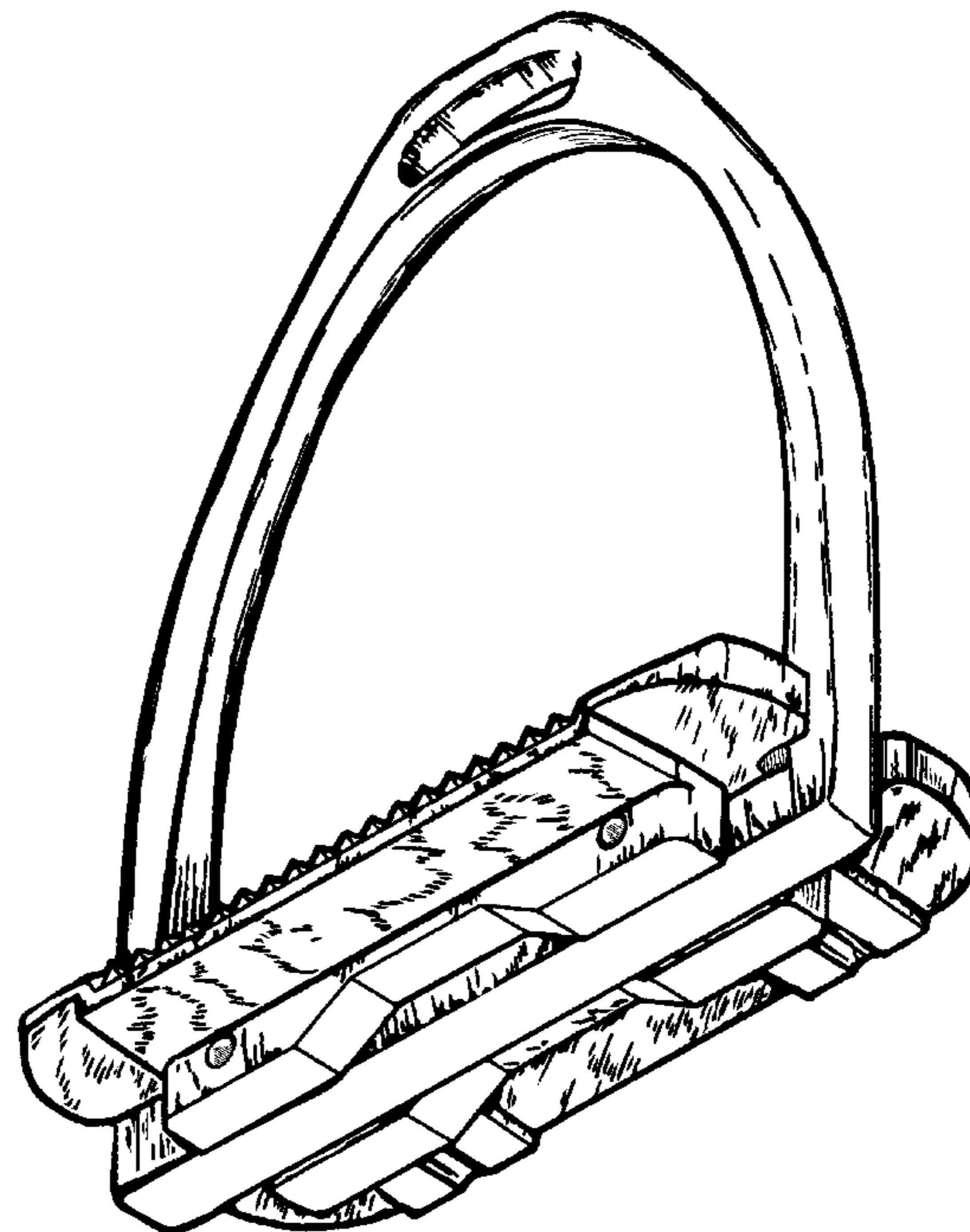
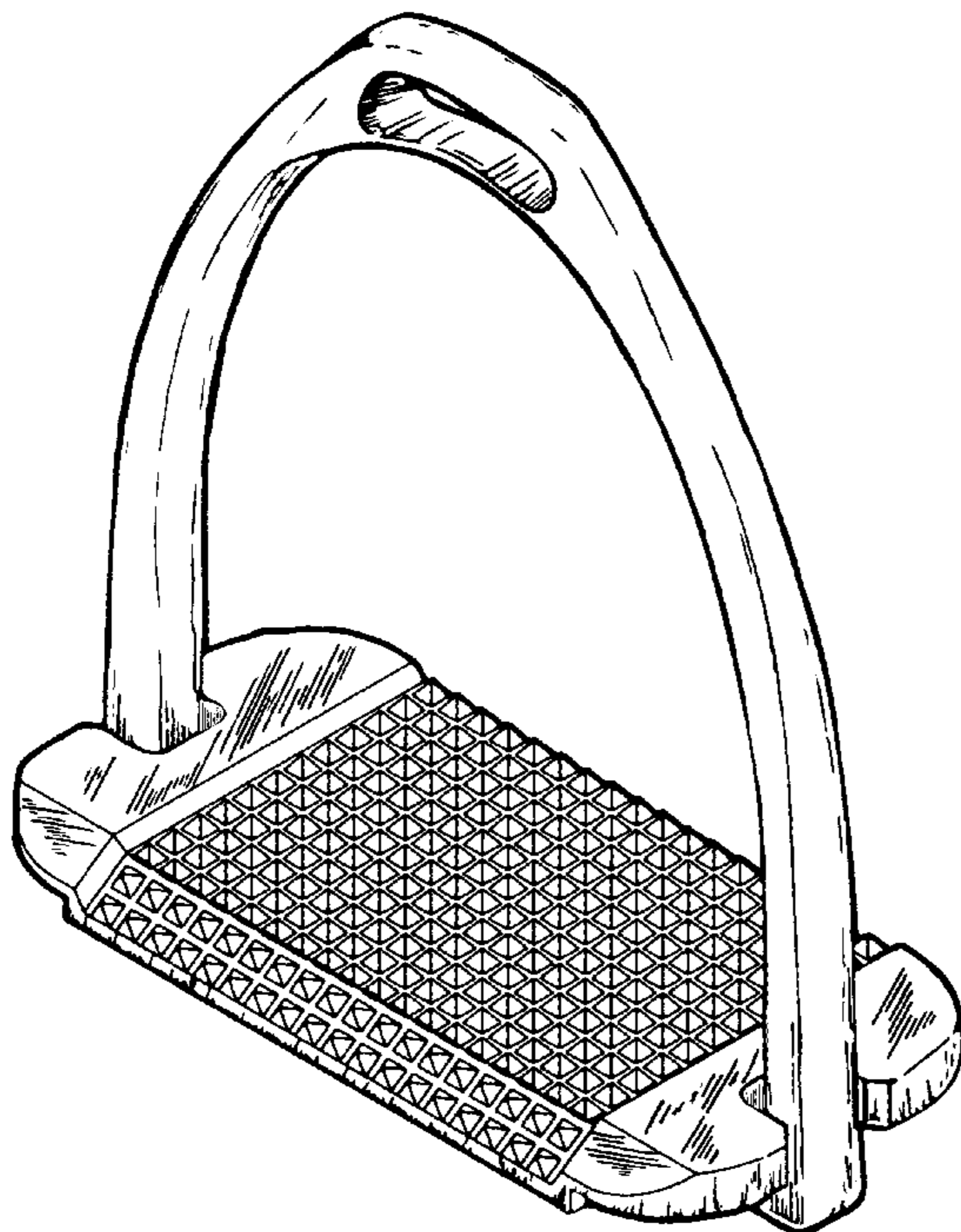
Primary Examiner — George D Kirschbaum
Assistant Examiner — Jennifer Watkins
(74) *Attorney, Agent, or Firm* — Vincent G. LoTempio;
Kloss, Stenger & LoTempio; David T. Stephenson

(57) **CLAIM**
The ornamental design for a stirrup handle and arch, as shown and described.

DESCRIPTION

FIG. 1 is a front perspective view of a stirrup handle and arch showing my new design;
FIG. 2 is a rear perspective view thereof;
FIG. 3 is bottom front perspective view thereof;
FIG. 4 is bottom rear perspective view thereof;
FIG. 5 is a top plan view thereof;
FIG. 6 is a bottom plan view thereof;
FIG. 7 is rear elevational view thereof;
FIG. 8 is a front elevational view thereof; and,
FIG. 9 is a side elevational view of the stirrup handle and arch the opposite side being a mirror image thereof.

1 Claim, 6 Drawing Sheets



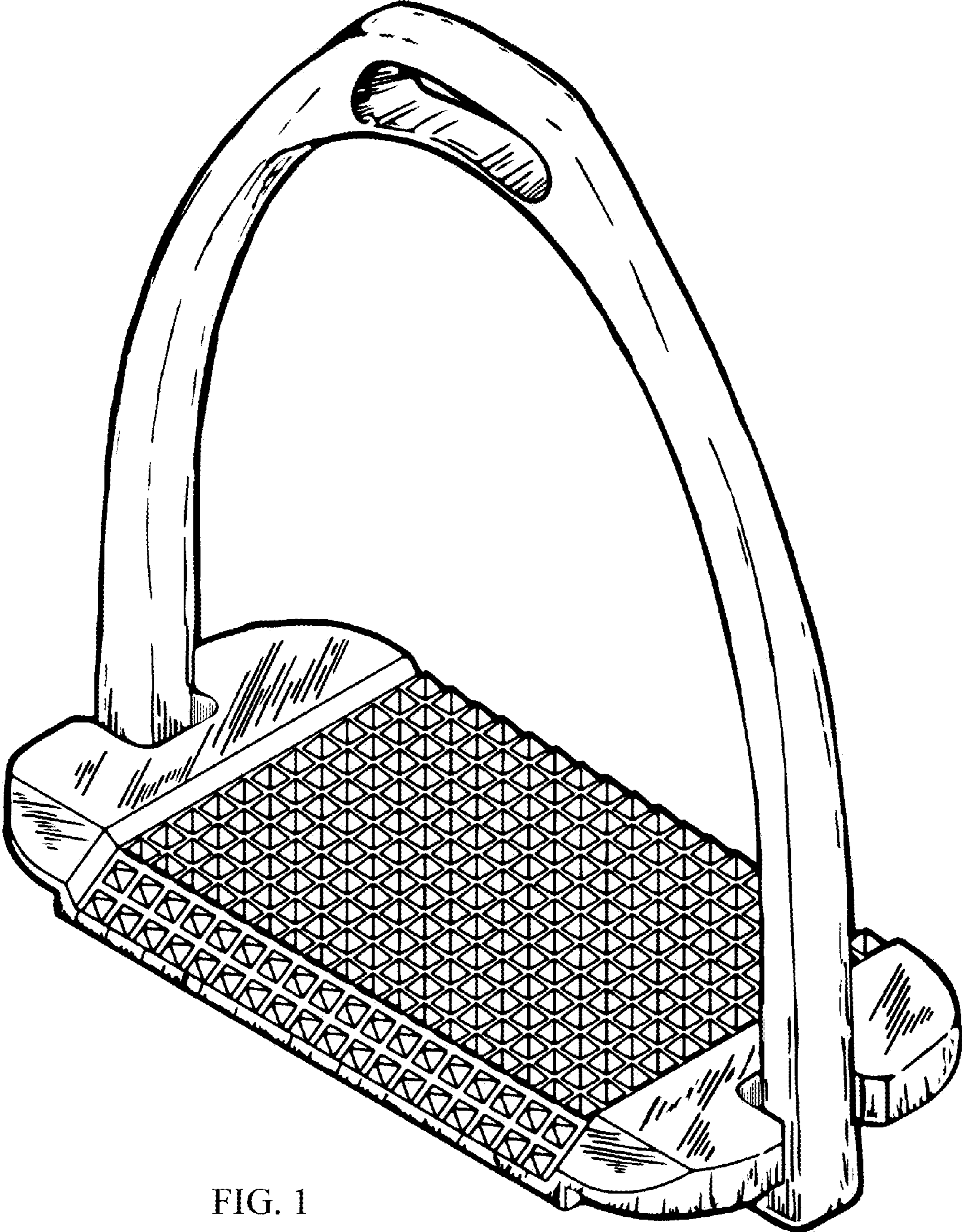


FIG. 1

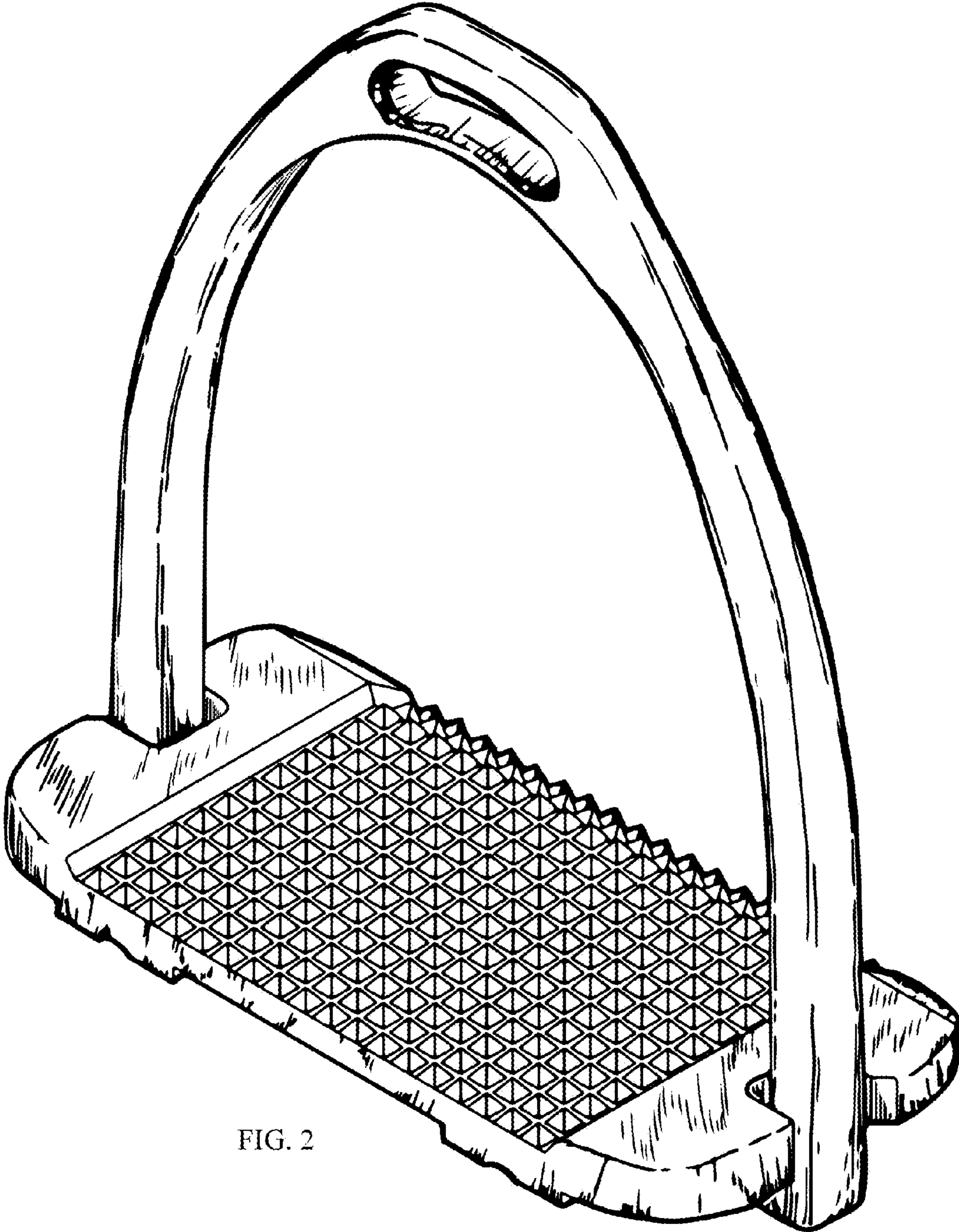


FIG. 2

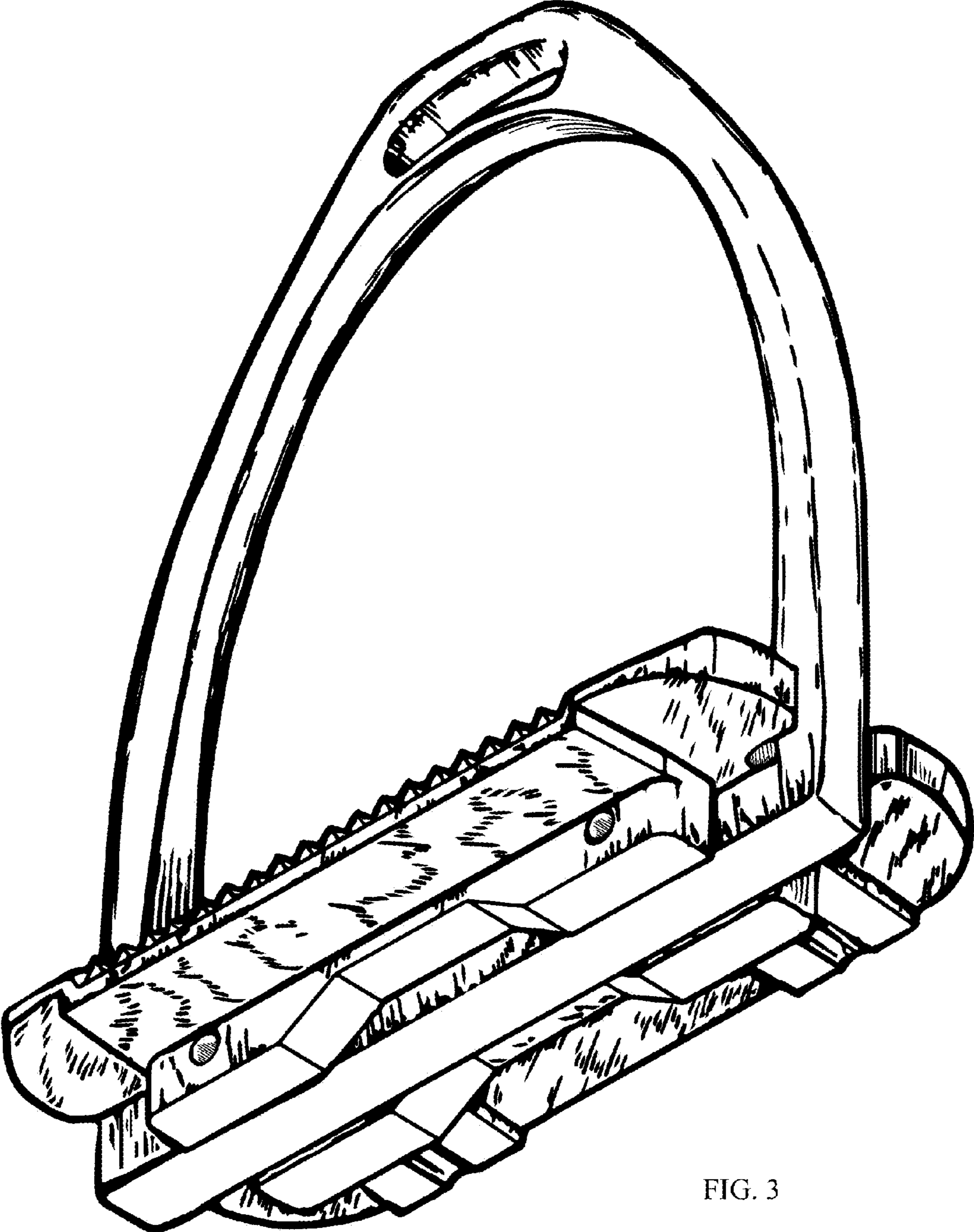


FIG. 3

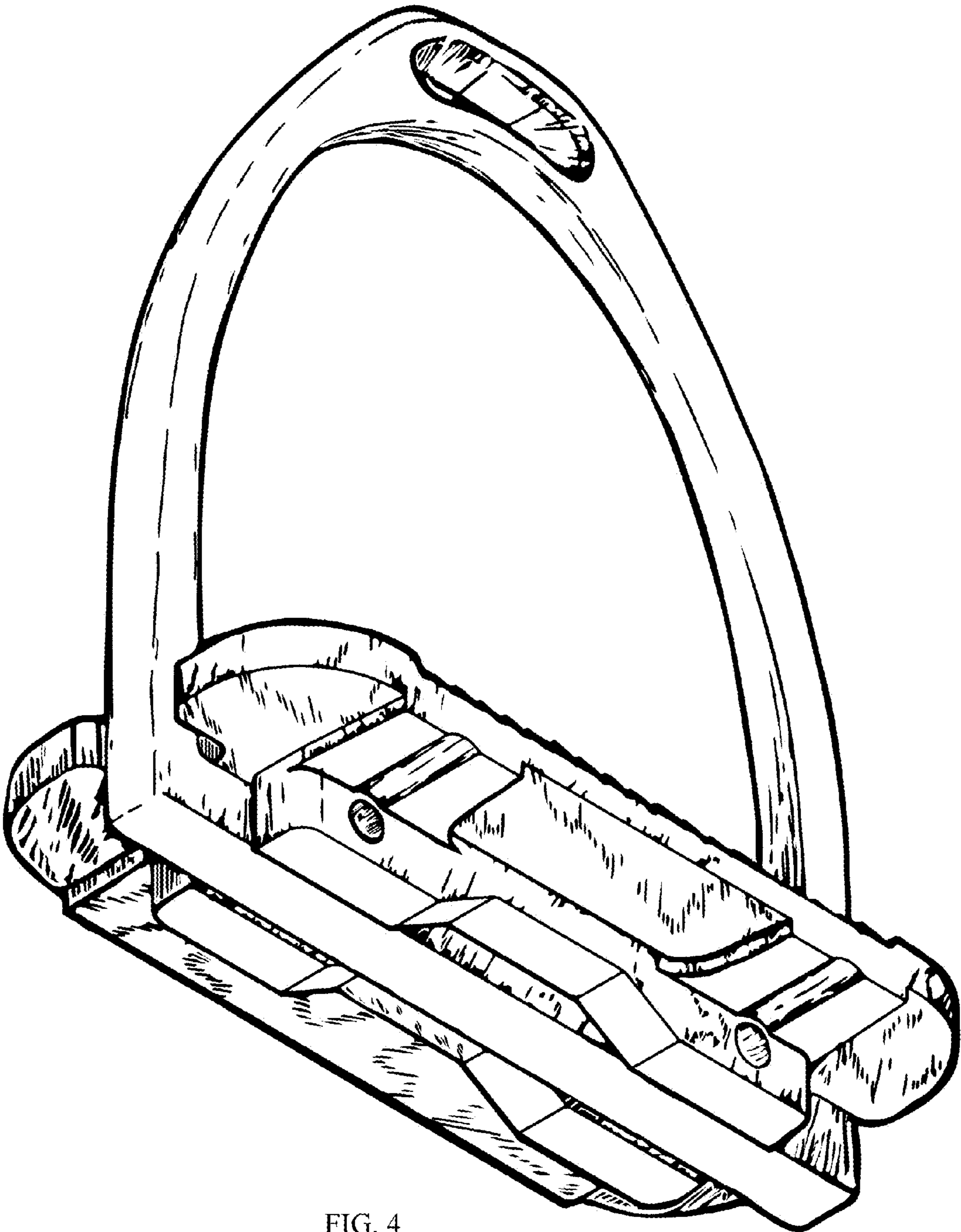


FIG. 4

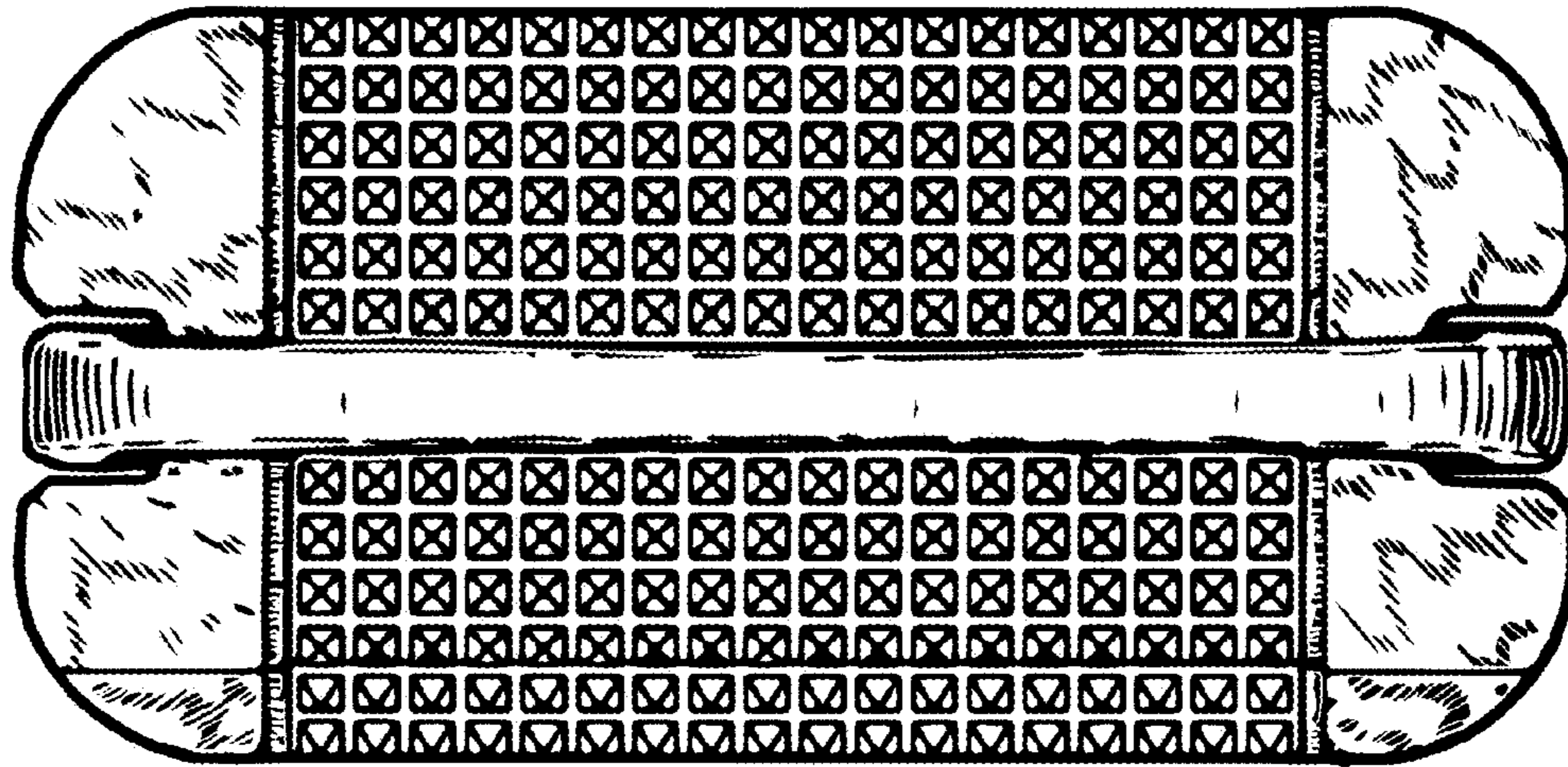


FIG. 5

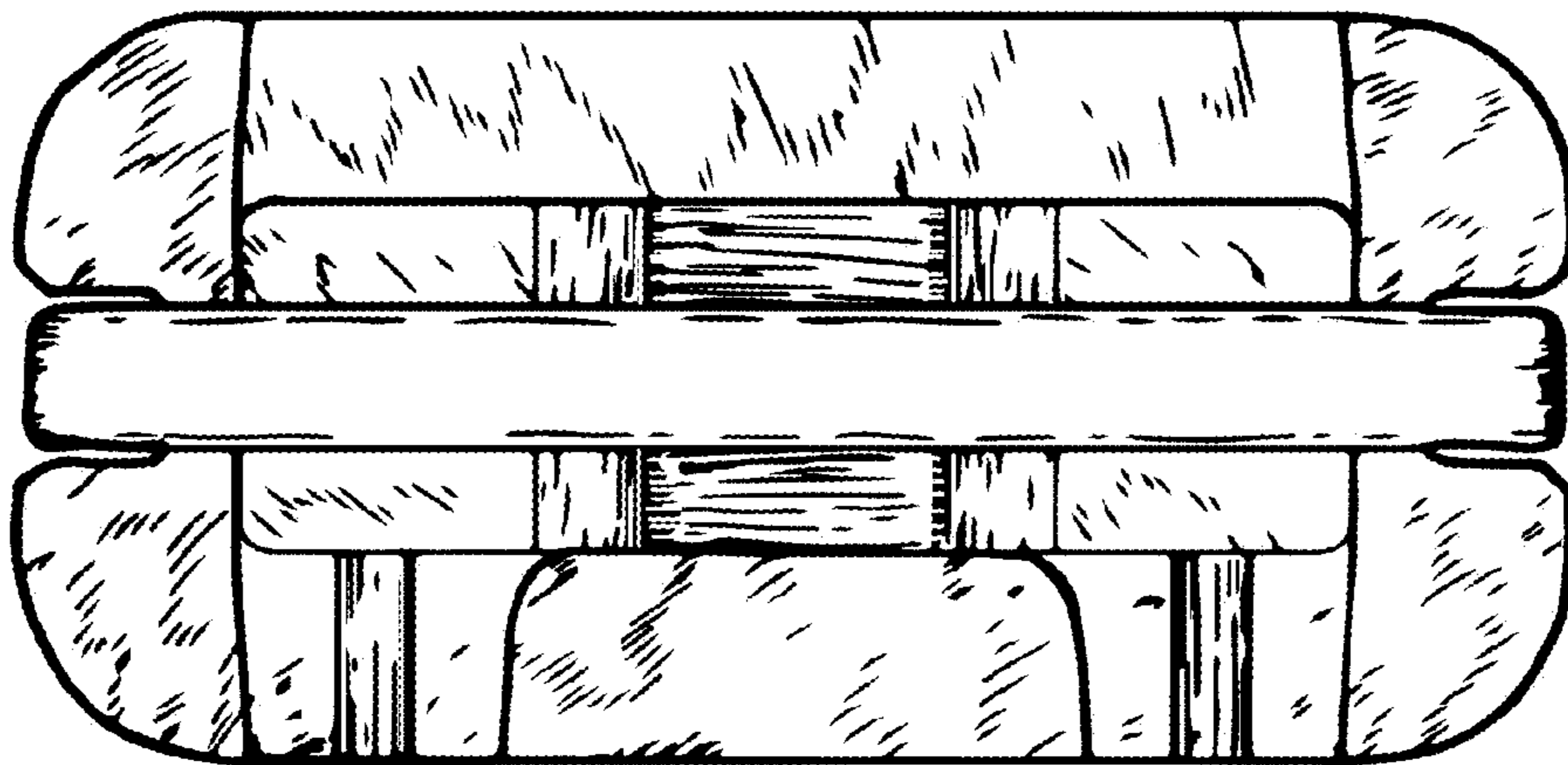


FIG. 6

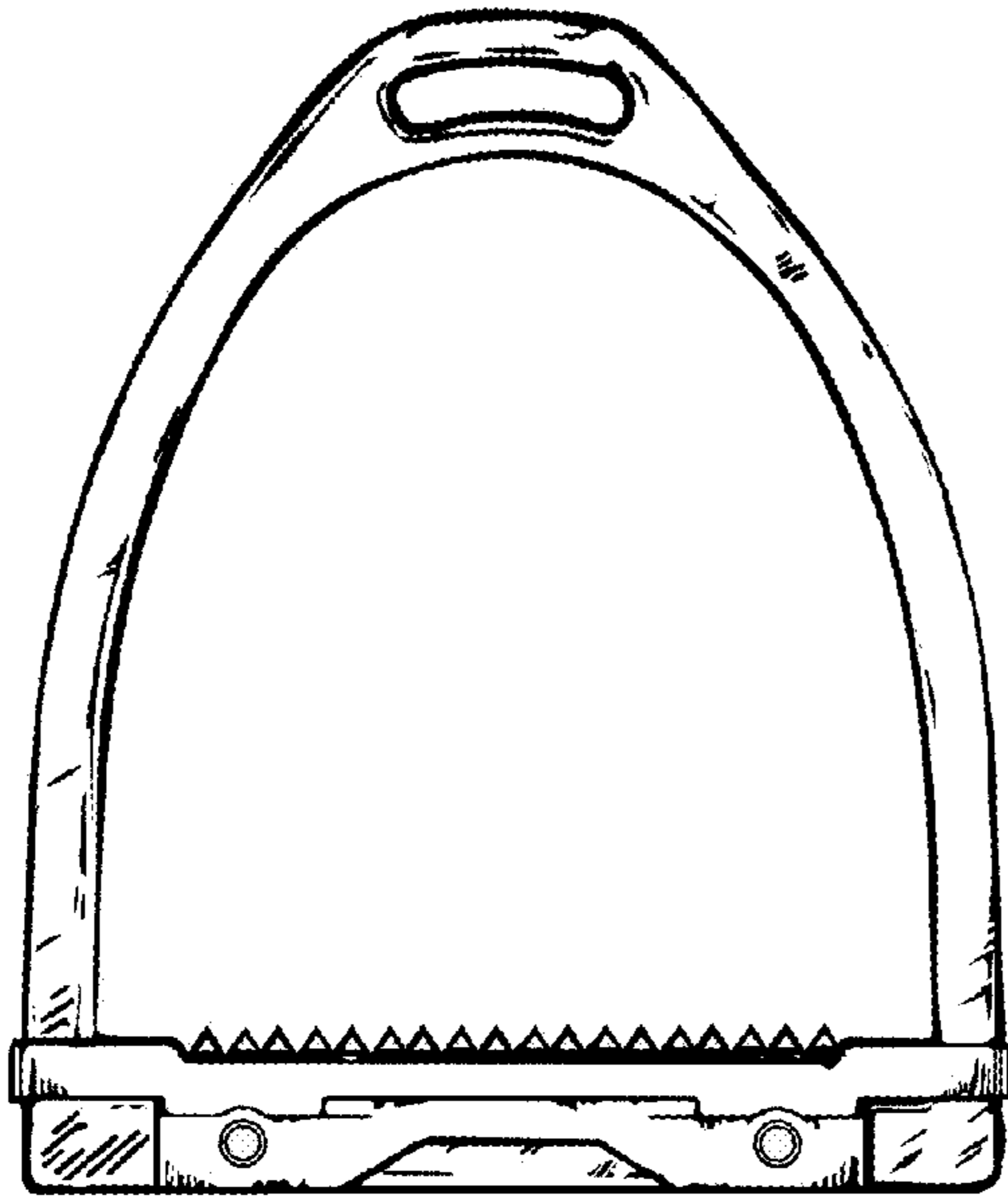


FIG. 7

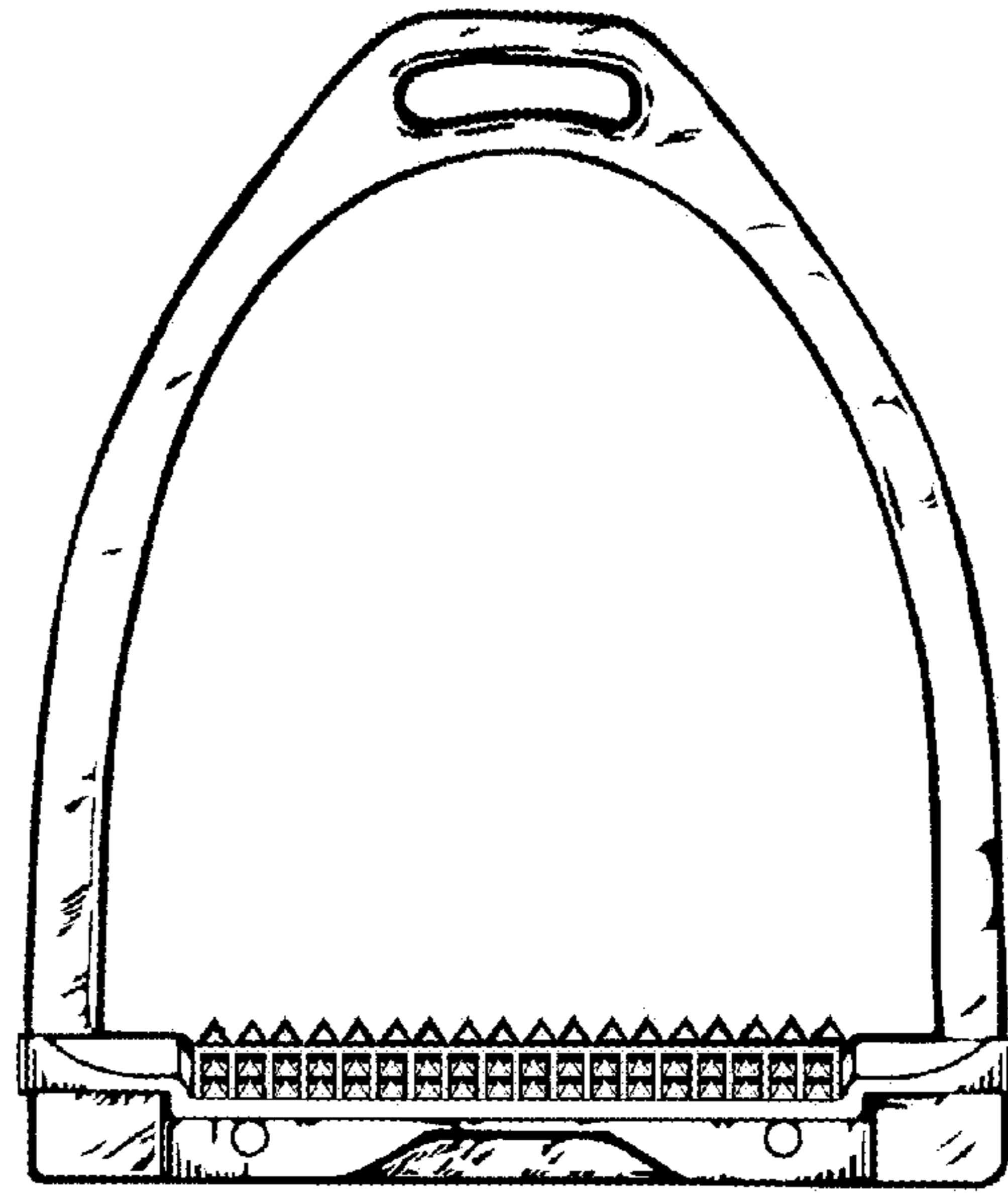


FIG. 8

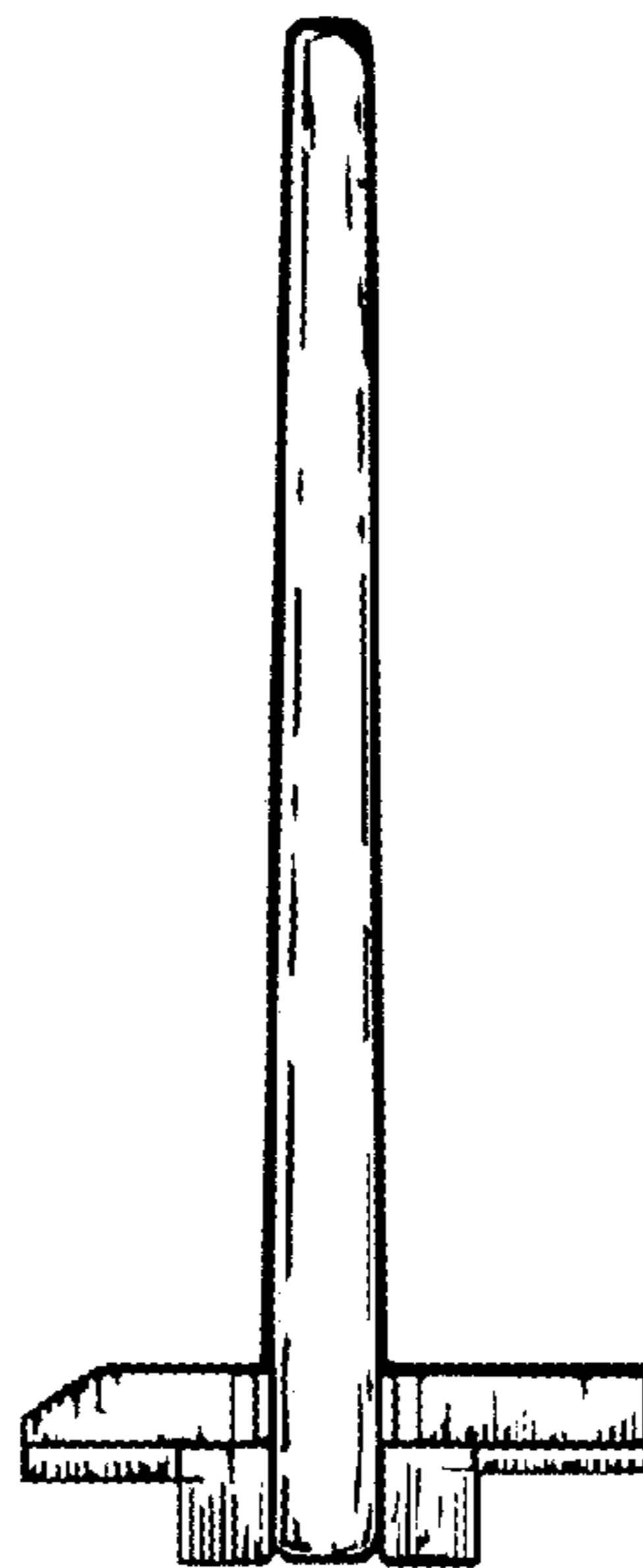


FIG. 9