



US00D764717S

(12) **United States Design Patent**
Fletcher et al.

(10) **Patent No.:** **US D764,717 S**

(45) **Date of Patent:** **** Aug. 23, 2016**

(54) **HEARING PROTECTOR**

(71) Applicant: **3M INNOVATIVE PROPERTIES COMPANY**, St. Paul, MN (US)

(72) Inventors: **Douglas D. Fletcher**, Woodbury, MN (US); **Lindsay J. Adams**, Rosemount, MN (US); **Brenda M. Bonney**, Woodbury, MN (US); **Nicolas A. Echeverri**, Woodbury, MN (US); **Garin G. Ipsen**, West Lakeland, MN (US); **Oscar M. Hemberg**, Dalarö (SE); **Eric O. Hemberg**, Shatin (HK)

(73) Assignee: **3M INNOVATIVE PROPERTIES COMPANY**, St. Paul, MN (US)

(**) Term: **14 Years**

(21) Appl. No.: **29/516,445**

(22) Filed: **Feb. 2, 2015**

(51) **LOC (10) Cl.** **29-02**

(52) **U.S. Cl.**
USPC **D29/112**

(58) **Field of Classification Search**
USPC D29/100, 102, 105, 106, 108, 112, 122;
2/455, 410, 417, 423, 424, 425, 9, 171,
2/208, 209, 918; D14/205, 223, 249;
181/129, 130, 135; 379/430, 431;
381/380, 381; 455/90.3, 575.1
CPC A42B 3/16; A42B 3/163; A42B 3/166;
A61F 11/06; A61F 11/08; A61F 11/10;
A61F 11/12; A61F 11/14; A61F 2011/085;
H04R 1/10; H04R 1/1008; H04R 1/1016;
H04R 1/105; H04R 1/1058; H04R 1/1066;
H04R 1/1075; H04R 1/1083; H04R 5/0335;
H04R 25/652; H04R 25/654; H04R 25/656;
A63B 71/10

See application file for complete search history.

(56) **References Cited**

U.S. PATENT DOCUMENTS

3,051,961	A *	9/1962	Clark	A61F 11/14 181/129
3,681,540	A *	8/1972	Thomson	H04R 5/0335 381/374
D375,584	S *	11/1996	Westerdal	D29/112
D403,126	S *	12/1998	Scanlon	D29/112
D411,200	S *	6/1999	Almqvist	D14/192
D413,413	S *	8/1999	Dillon	D14/205
D427,382	S *	6/2000	Leight	D29/112
D434,191	S *	11/2000	Emilsson	D29/112
D459,033	S *	6/2002	Dix	D29/112
D459,034	S *	6/2002	Dix	D29/112

(Continued)

OTHER PUBLICATIONS

Fletcher, U.S. Appl. No. 29/516,305, filed Jan. 30, 2015, entitled "Hearing Protector Headband".

(Continued)

Primary Examiner — Elizabeth J Oswecki

(74) *Attorney, Agent, or Firm* — Irina Hass

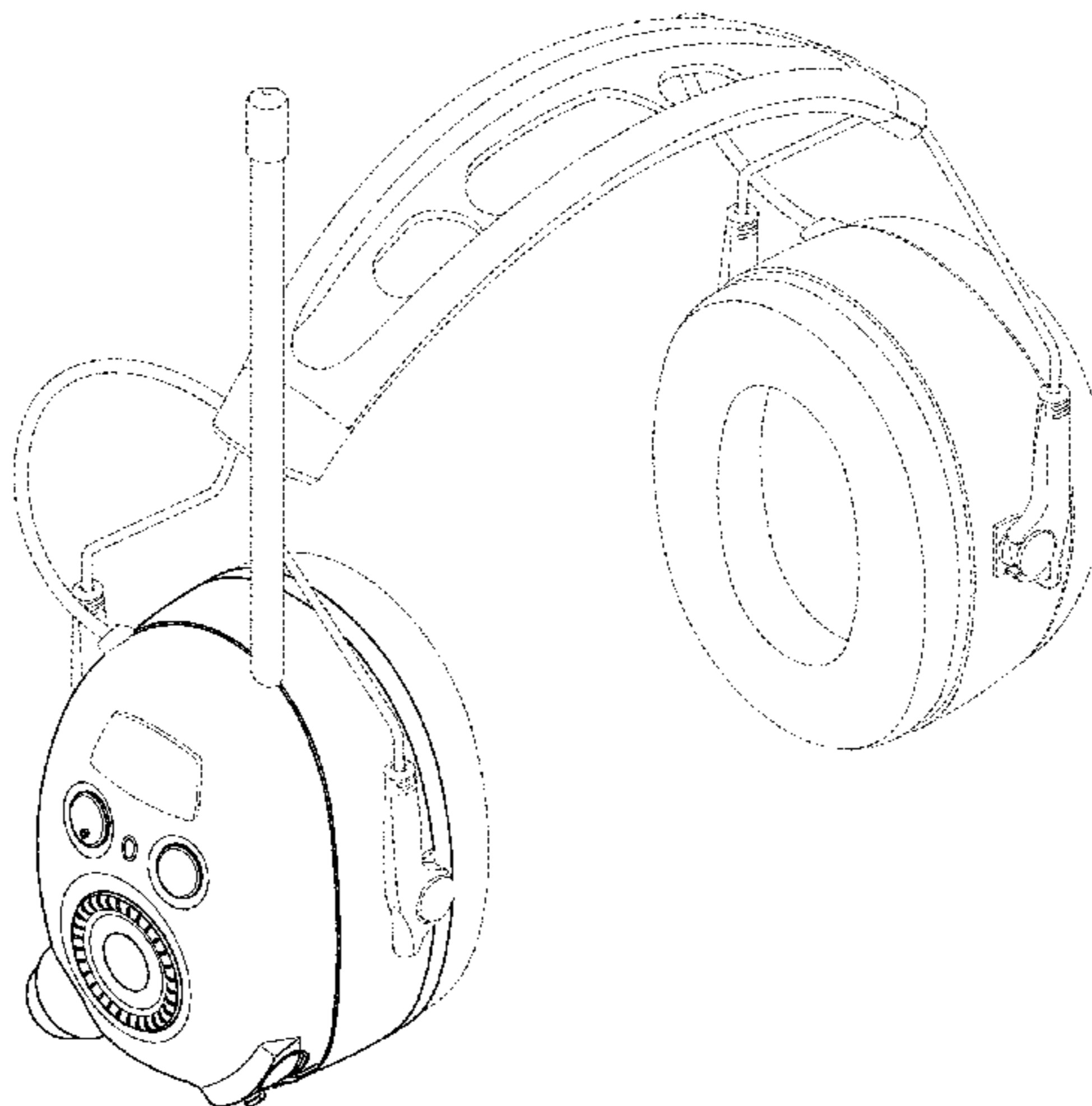
(57) **CLAIM**

The ornamental design for a hearing protector, as shown and described.

DESCRIPTION

FIG. 1 is a perspective view of a hearing protector showing our new design;
FIG. 2 is a front view thereof;
FIG. 3 is a top view thereof;
FIG. 4 is a rear view thereof;
FIG. 5 is a bottom view thereof;
FIG. 6 is a right side view thereof; and,
FIG. 7 is a left side view thereof.
The portions of the hearing protector in FIGS. 1-7 shown in broken lines are included to show features that form no part of the claimed design.

1 Claim, 4 Drawing Sheets



(56)

References Cited

U.S. PATENT DOCUMENTS

D459,337 S * 6/2002 Mori D14/192
D465,616 S * 11/2002 Nilsson D29/112
D468,063 S * 12/2002 Nilsson D29/112
D509,323 S * 9/2005 Emilsson D29/112
7,172,052 B2 * 2/2007 Lenhard-
Backhaus H04R 1/1066
181/129
D541,483 S * 4/2007 Birgersson D29/112
D616,865 S * 6/2010 Marchand D14/205
D633,894 S * 3/2011 Meyer D14/205

D663,900 S * 7/2012 Karlsson D29/112
D701,193 S * 3/2014 Kelly D14/205
D703,183 S * 4/2014 Moriya D14/206
D707,654 S * 6/2014 Nguyen D14/205
D735,419 S * 7/2015 Rose D29/112
D736,475 S * 8/2015 Fletcher D29/112
D741,286 S * 10/2015 Brennwald D14/205
D747,557 S * 1/2016 Bonney D29/112

OTHER PUBLICATIONS

Fletcher, U.S. Appl. No. 29/473,165, filed Nov. 19, 2013, entitled
“Hearing Protector”.

* cited by examiner

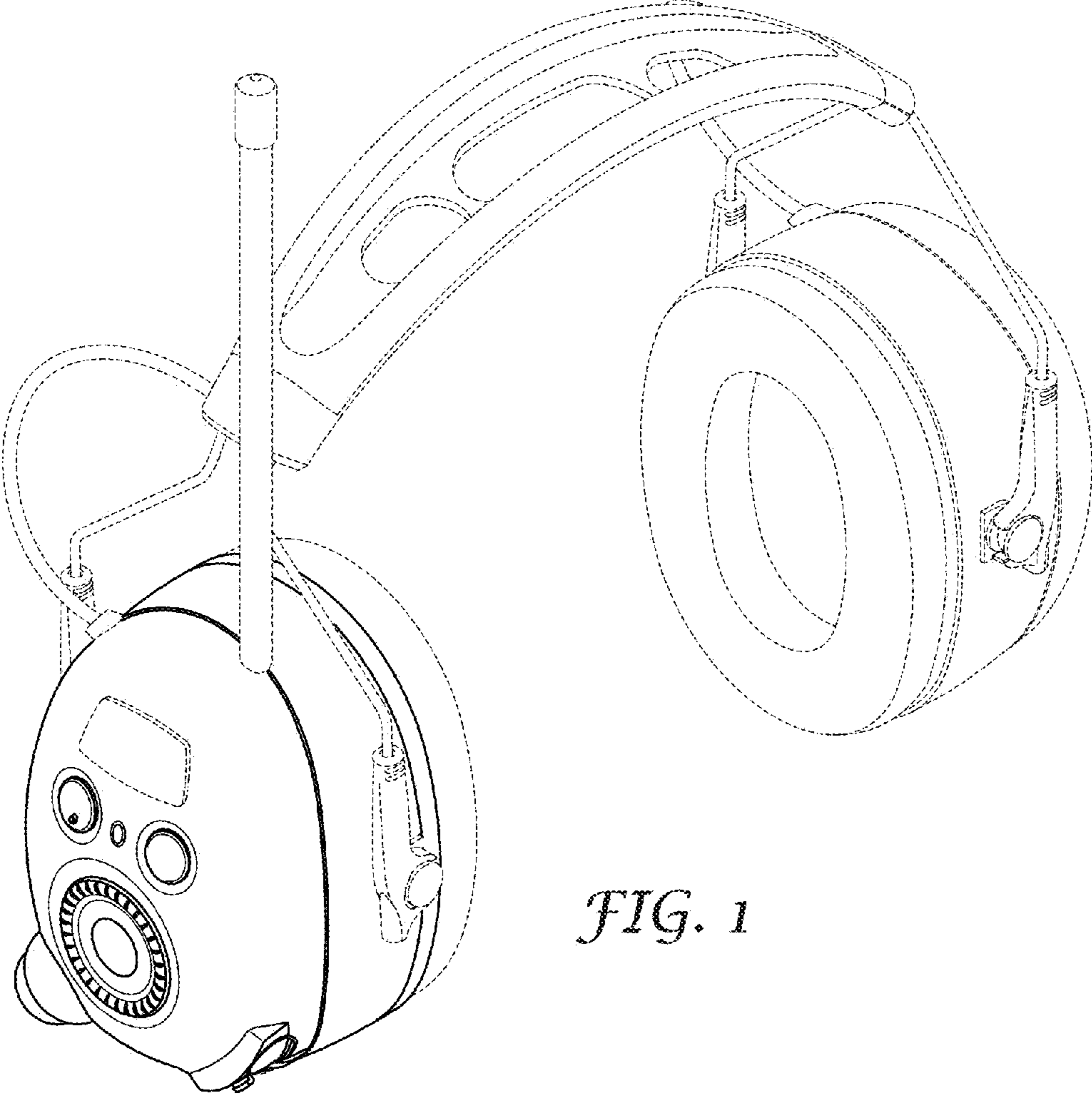


FIG. 1

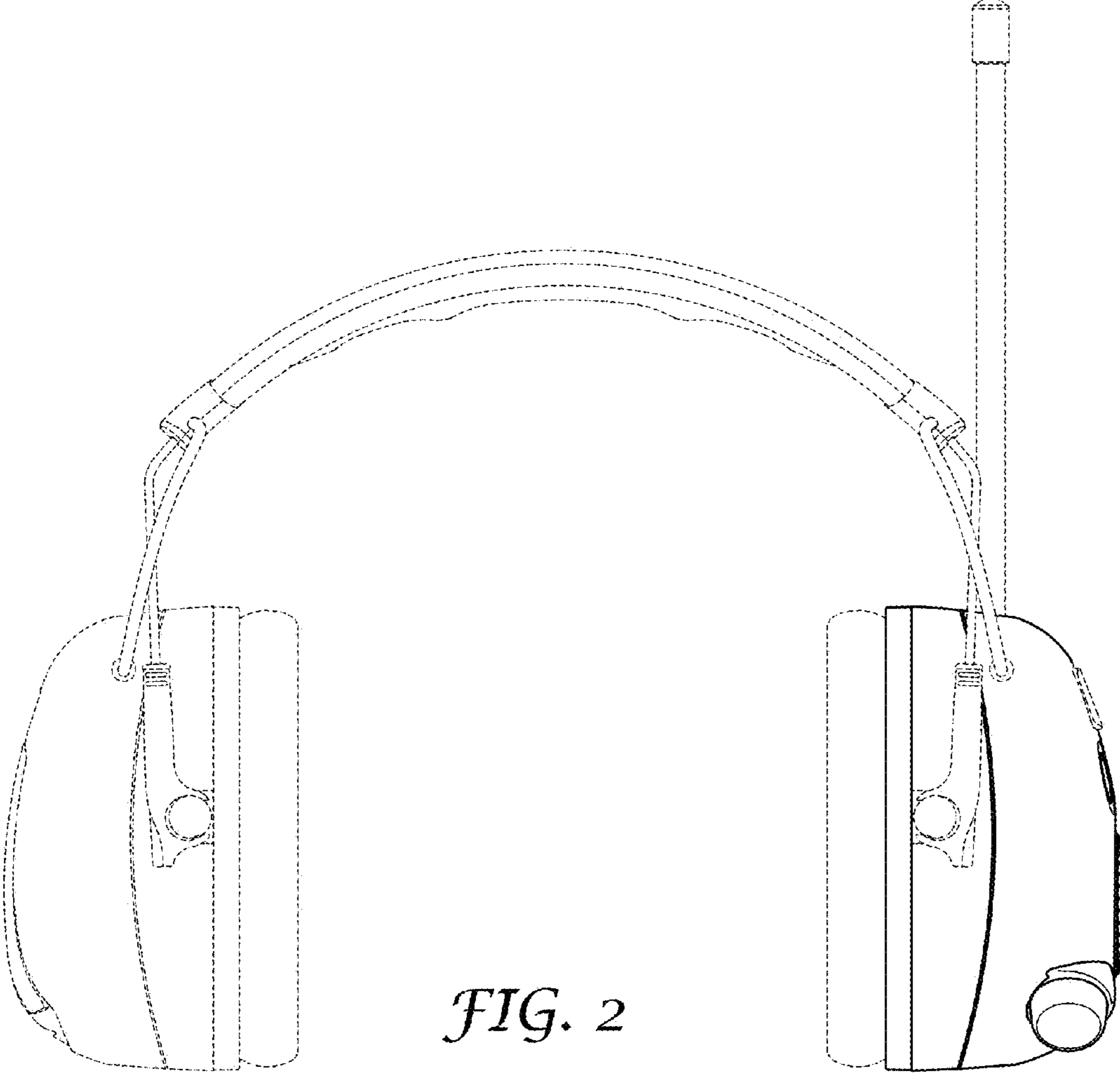


FIG. 2

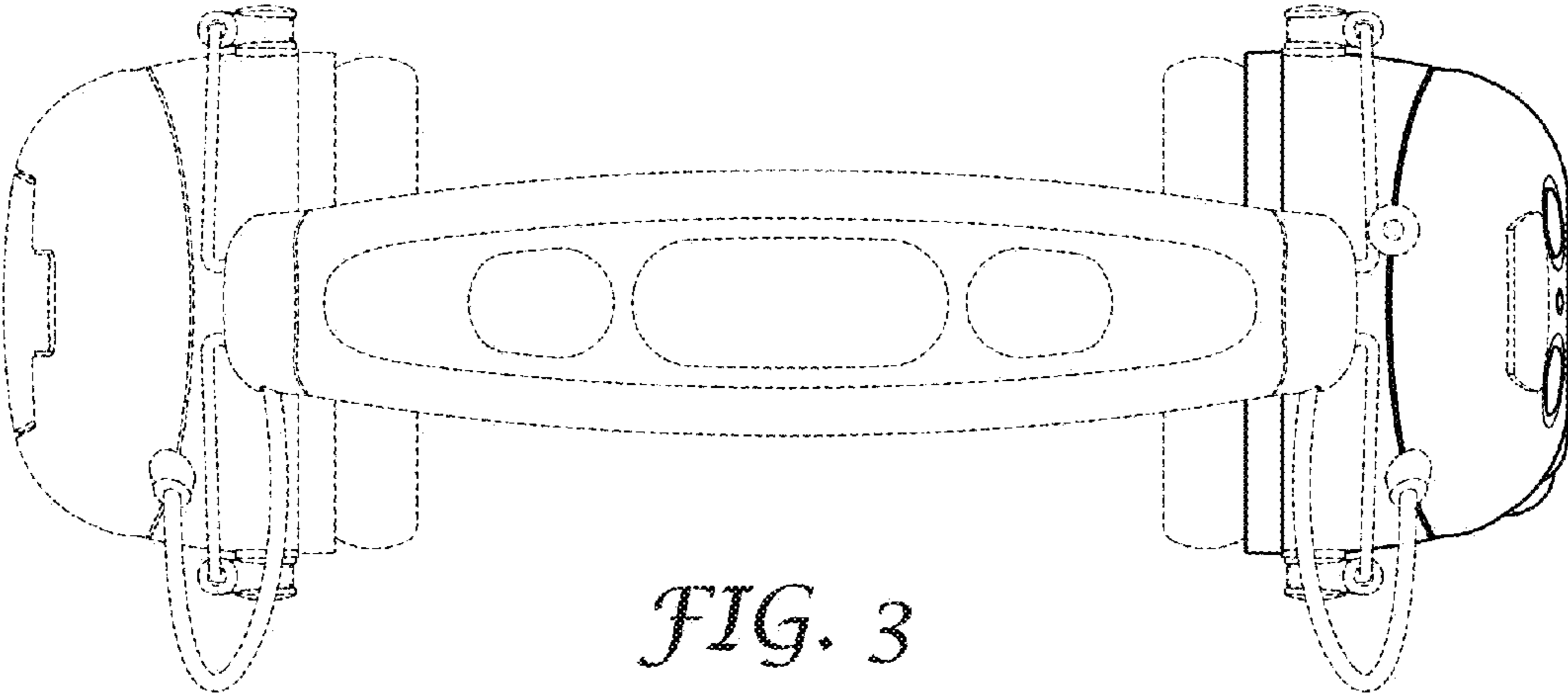


FIG. 3

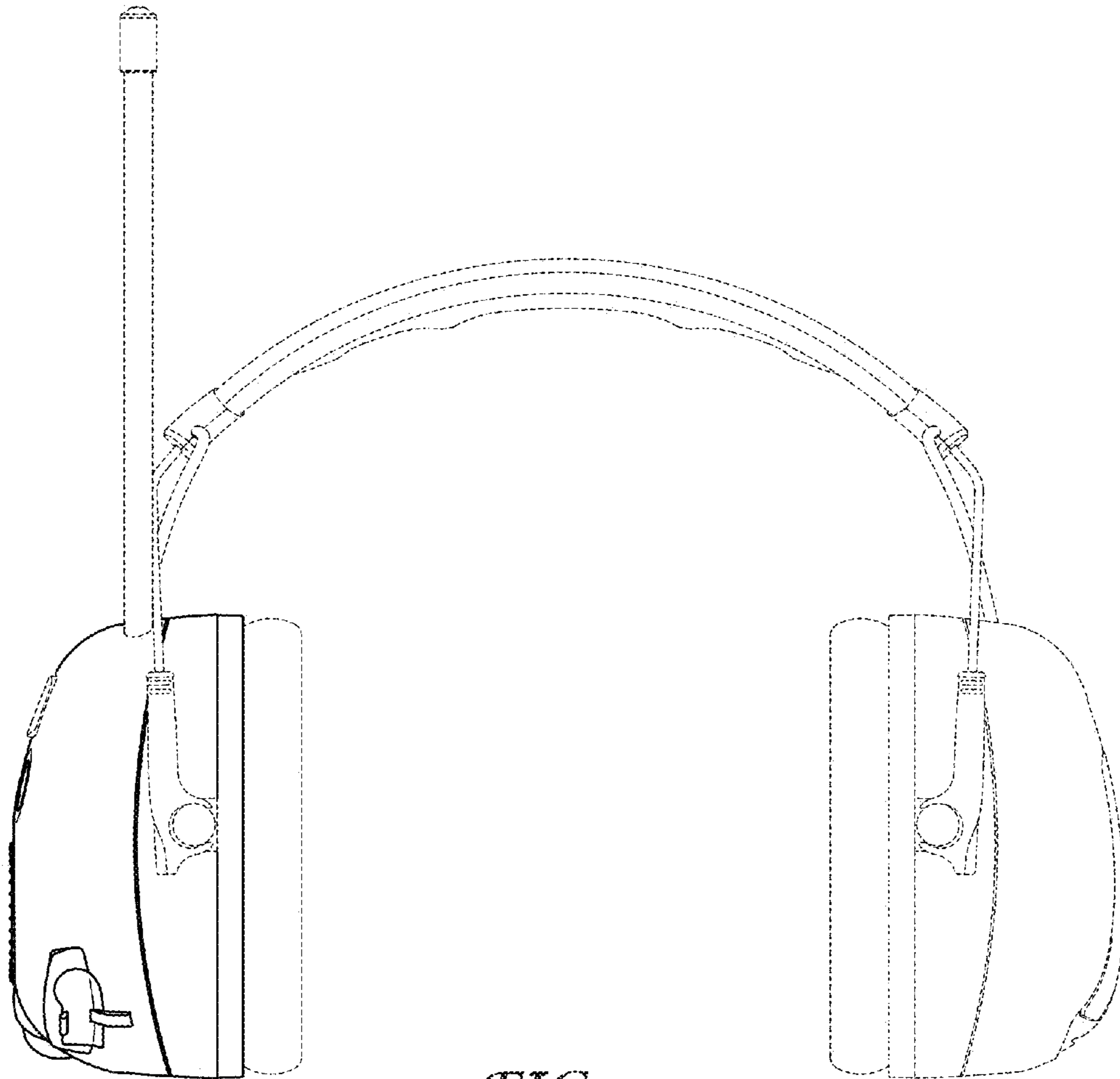


FIG. 4

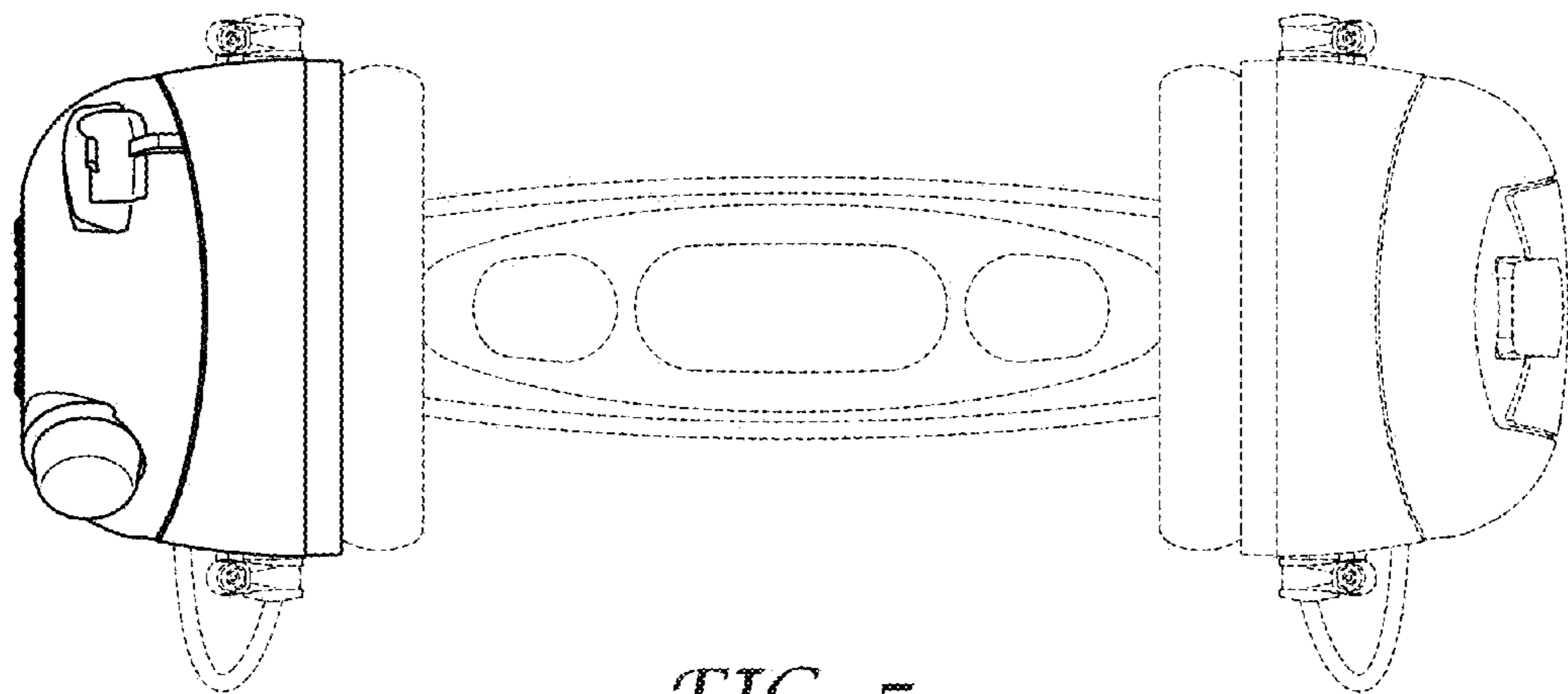


FIG. 5

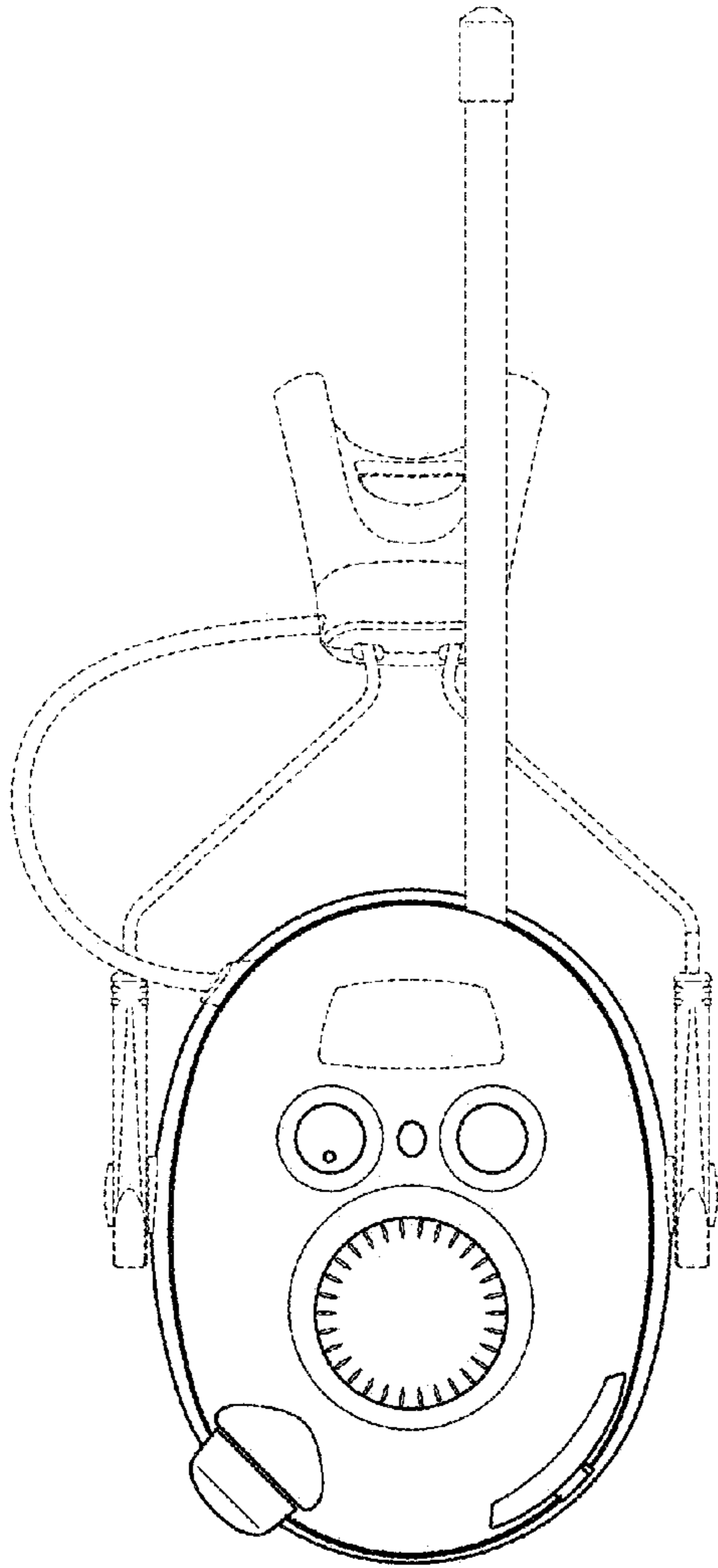


FIG. 6

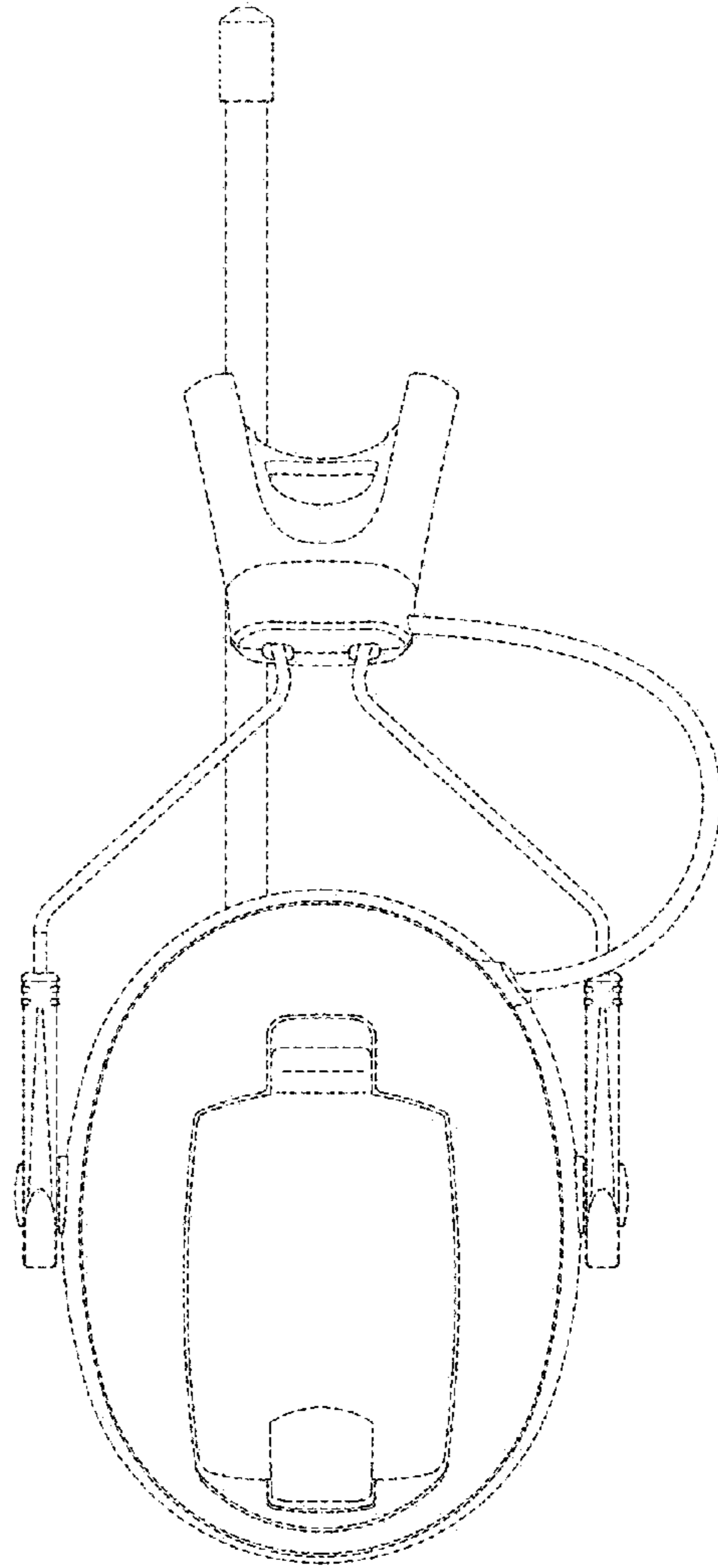


FIG. 7