



US00D764714S

(12) **United States Design Patent**  
**Teller et al.**

(10) **Patent No.:** **US D764,714 S**

(45) **Date of Patent:** **\*\* \*Aug. 23, 2016**

(54) **COSMETIC PRODUCT CONTAINER**

(71) Applicant: **EOS PRODUCTS, LLC**, New York, NY (US)

(72) Inventors: **Jonathan Teller**, New York, NY (US);  
**Sanjiv Mehra**, New York, NY (US);  
**Peter Waxman**, New York, NY (US);  
**Joseph Speter**, New York, NY (US);  
**Sherry Jhawar**, New York, NY (US);  
**Hamish Campbell**, New York, NY (US)

(73) Assignee: **EOS PRODUCTS, LLC**, New York, NY (US)

(\*) Notice: This patent is subject to a terminal disclaimer.

(\*\*) Term: **14 Years**

(21) Appl. No.: **29/488,101**

(22) Filed: **Apr. 15, 2014**

(51) **LOC (10) Cl.** ..... **28-03**

(52) **U.S. Cl.**  
USPC ..... **D28/82; D28/88; D9/519; D9/552; D9/554**

(58) **Field of Classification Search**

USPC ..... D28/85-91, 82, 76-79, 4-7, 8.1, 8.2, 9; D9/502, 570, 503, 504, 519, 552, 554, D9/557, 564, 566, 567, 600, 726, 601, 551, D9/521, 416, 529, 438, 435; D24/101, D24/102; D1/127, 130; D5/43, 44, 56, 59, D5/60, 62, 55; 132/316, 317, 318, 320; 206/581, 823, 385; D3/265, 270, D3/271.1; 424/467; D14/489

CPC ..... B65D 1/00; B65D 3/00; B65D 5/00; B65D 11/00; B65D 25/00; B65D 81/00

See application file for complete search history.

(56) **References Cited**

U.S. PATENT DOCUMENTS

1,852,455 A	4/1932	Friedman	
2,745,642 A *	5/1956	Dick	366/130
3,167,079 A *	1/1965	Weil	134/137
3,292,840 A *	12/1966	Max	220/4.25
3,494,515 A *	2/1970	Fattori	222/548

(Continued)

FOREIGN PATENT DOCUMENTS

JP	1136041 S	3/2002
JP	2001321140 A	11/2004

OTHER PUBLICATIONS

SIPO Office Action issued Jul. 17, 2014 in connection with CN Appl. No. 201080063211.X citing JP 2004-321410A and JP 1136041S (listed separately).

*Primary Examiner* — Marianne Pandozzi

*Assistant Examiner* — Jae Liang

(74) *Attorney, Agent, or Firm* — Martin & Ferraro, LLP

(57) **CLAIM**

The ornamental design for a cosmetic product container, as shown and described.

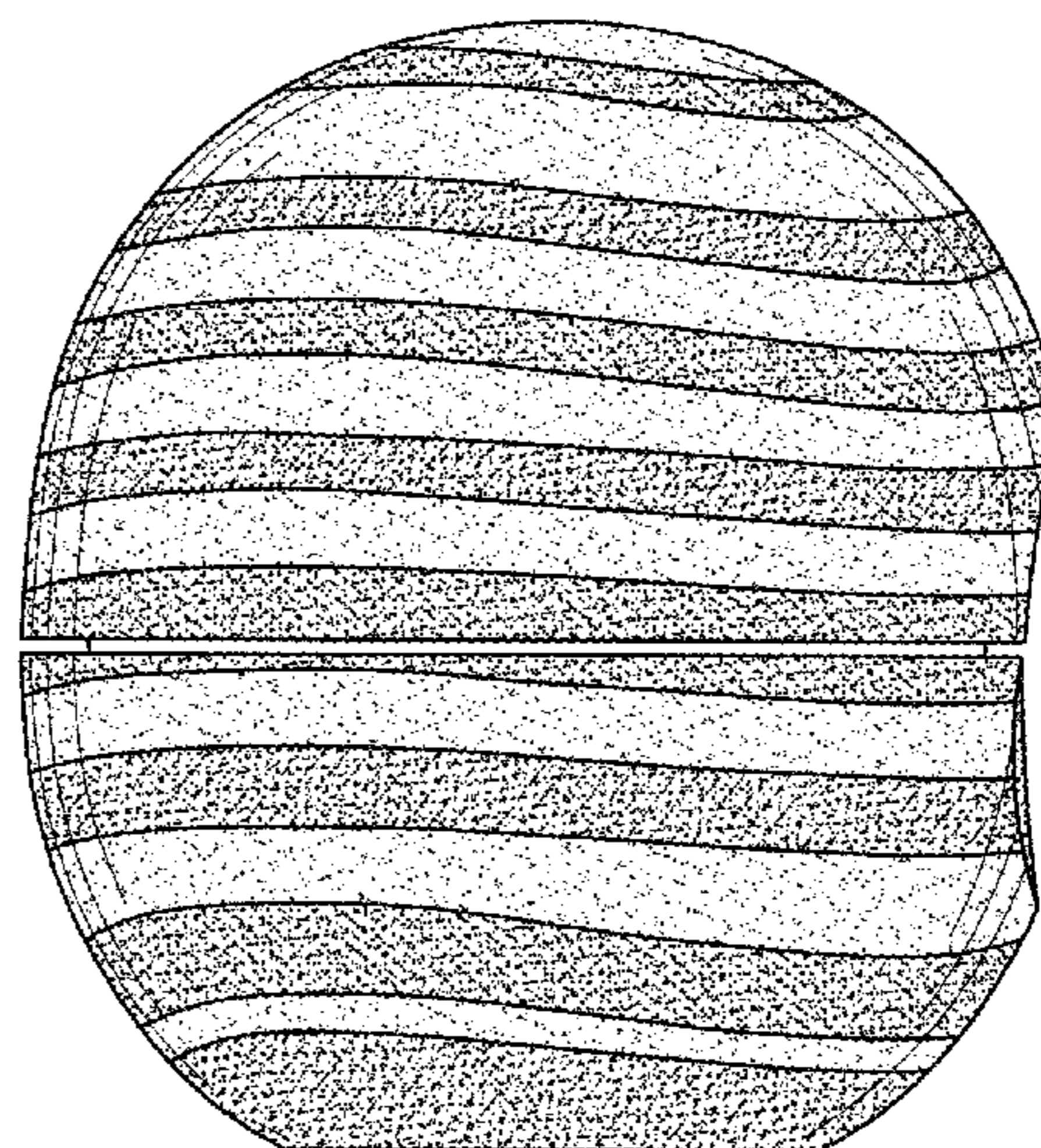
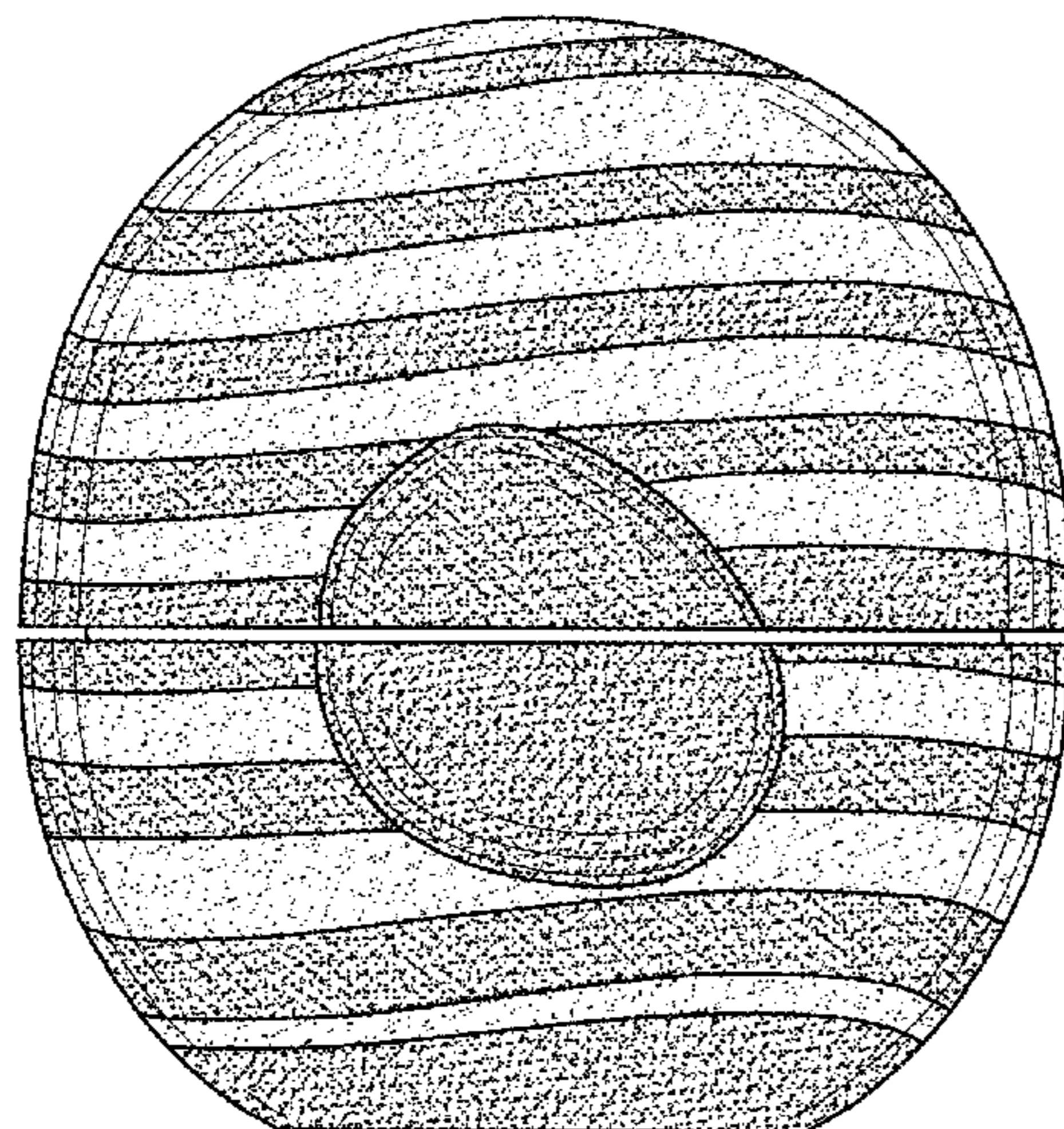
**DESCRIPTION**

FIG. 1 is a front elevational view of a cosmetic product container showing my new design; FIG. 2 is a left side elevational view thereof; FIG. 3 is a right side elevational view thereof; FIG. 4 is a rear elevational view thereof; FIG. 5 is a top plan view thereof; and, FIG. 6 is a bottom plan view thereof.

The broken lines in the drawing depict portions of the cosmetic product container that form no part of the claimed design.

The stippling in FIGS. 1-6 shows contrast in appearance.

**1 Claim, 3 Drawing Sheets**



(56)

References Cited

U.S. PATENT DOCUMENTS

4,765,501	A *	8/1988	Kao	220/4.21	D552,997	S *	10/2007	Blasko	D9/521
5,044,496	A	9/1991	Tanaka		D554,529	S *	11/2007	Green et al.	D9/726
D322,558	S *	12/1991	Halm et al.	D32/29.1	D564,900	S *	3/2008	Green et al.	D9/715
D378,275	S *	3/1997	Rusnock et al.	D9/545	D570,219	S *	6/2008	Blasko	D9/516
D396,382	S *	7/1998	Hsu	D7/599	D579,213	S *	10/2008	Aipa	D5/53
D403,123	S *	12/1998	Sgariboldi	D28/76	D592,064	S *	5/2009	Kilany	D9/519
6,193,427	B1	2/2001	Benguigui		D592,512	S *	5/2009	Dubitsky et al.	D9/516
D443,826	S *	6/2001	Gnann et al.	D9/537	D599,560	S *	9/2009	Sharma	D5/59
D450,882	S *	11/2001	Colwell et al.	D28/4	D609,107	S *	2/2010	Dubitsky et al.	D9/551
D452,586	S *	12/2001	Look	D28/4	D612,245	S *	3/2010	Canamasas Puigbo	D9/519
D452,588	S *	12/2001	Look	D28/4	D625,469	S *	10/2010	Dubitsky et al.	D28/84
6,391,972	B1	5/2002	Hatakeyama		D631,204	S *	1/2011	Dubitsky et al.	D28/82
D465,609	S *	11/2002	Jackel-Marken	D28/4	D644,939	S *	9/2011	Teller	D9/726
D465,733	S *	11/2002	Hill	D9/519	8,444,337	B2 *	5/2013	Teller	401/88
D472,014	S *	3/2003	Jackel-Marken	D28/4	D688,000	S *	8/2013	Johnson et al.	D28/4
D512,199	S *	12/2005	Ibanez	D1/129	D689,366	S *	9/2013	Kohne et al.	D9/504
D516,431	S *	3/2006	Vintro	D9/521	D695,552	S *	12/2013	Gatto	D6/606
D525,437	S *	7/2006	Leisch et al.	D5/53	D705,988	S *	5/2014	Scott et al.	D28/7
D537,563	S *	2/2007	Taniguchi et al.	D28/4	D708,726	S *	7/2014	Gordon et al.	D23/356
D541,052	S *	4/2007	Miller et al.	D5/53	D710,544	S *	8/2014	Shen	D28/77
					D715,142	S *	10/2014	Allen et al.	D9/434
					D726,028	S *	4/2015	Thompson	D9/726

\* cited by examiner



FIG. 1

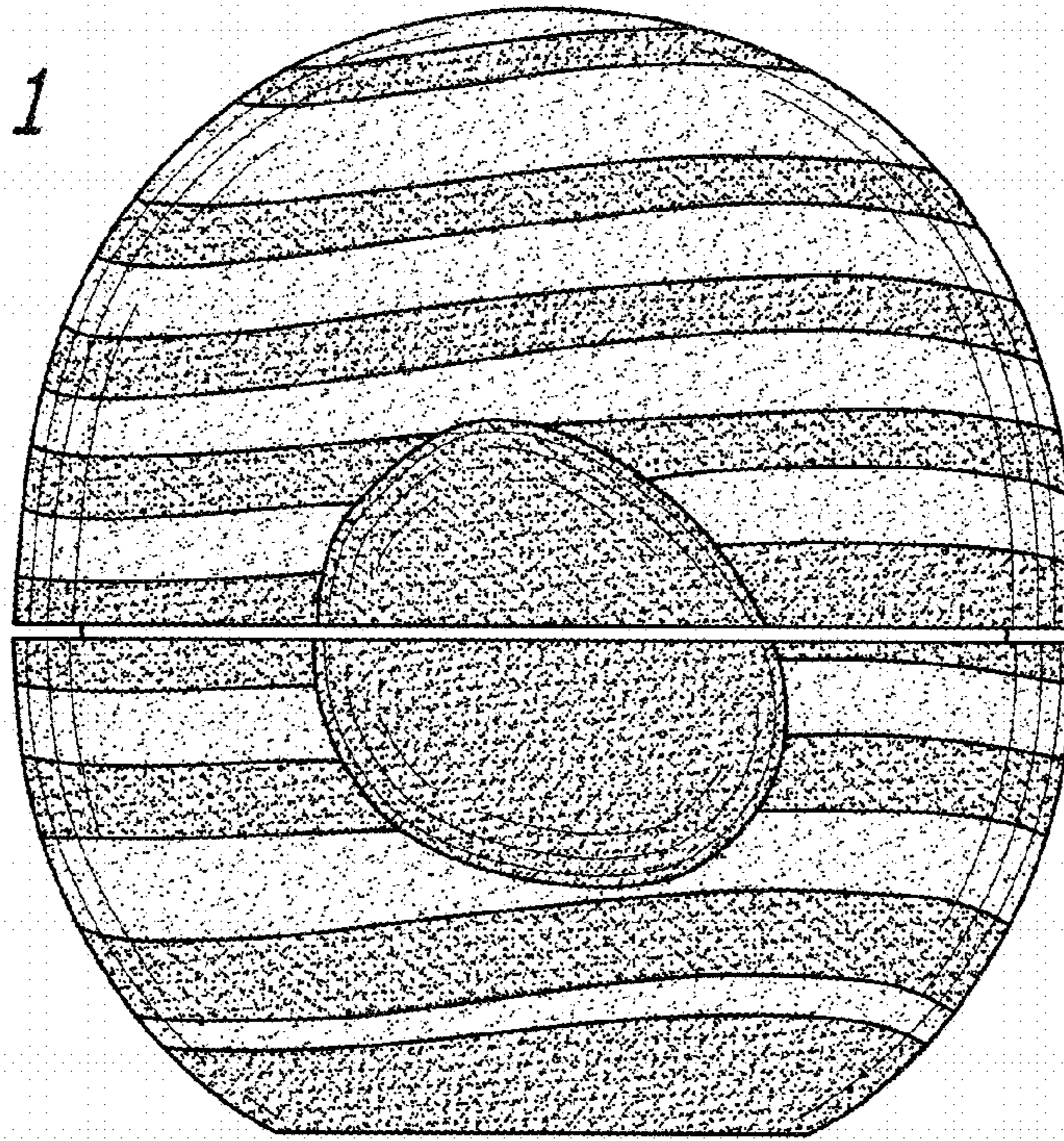
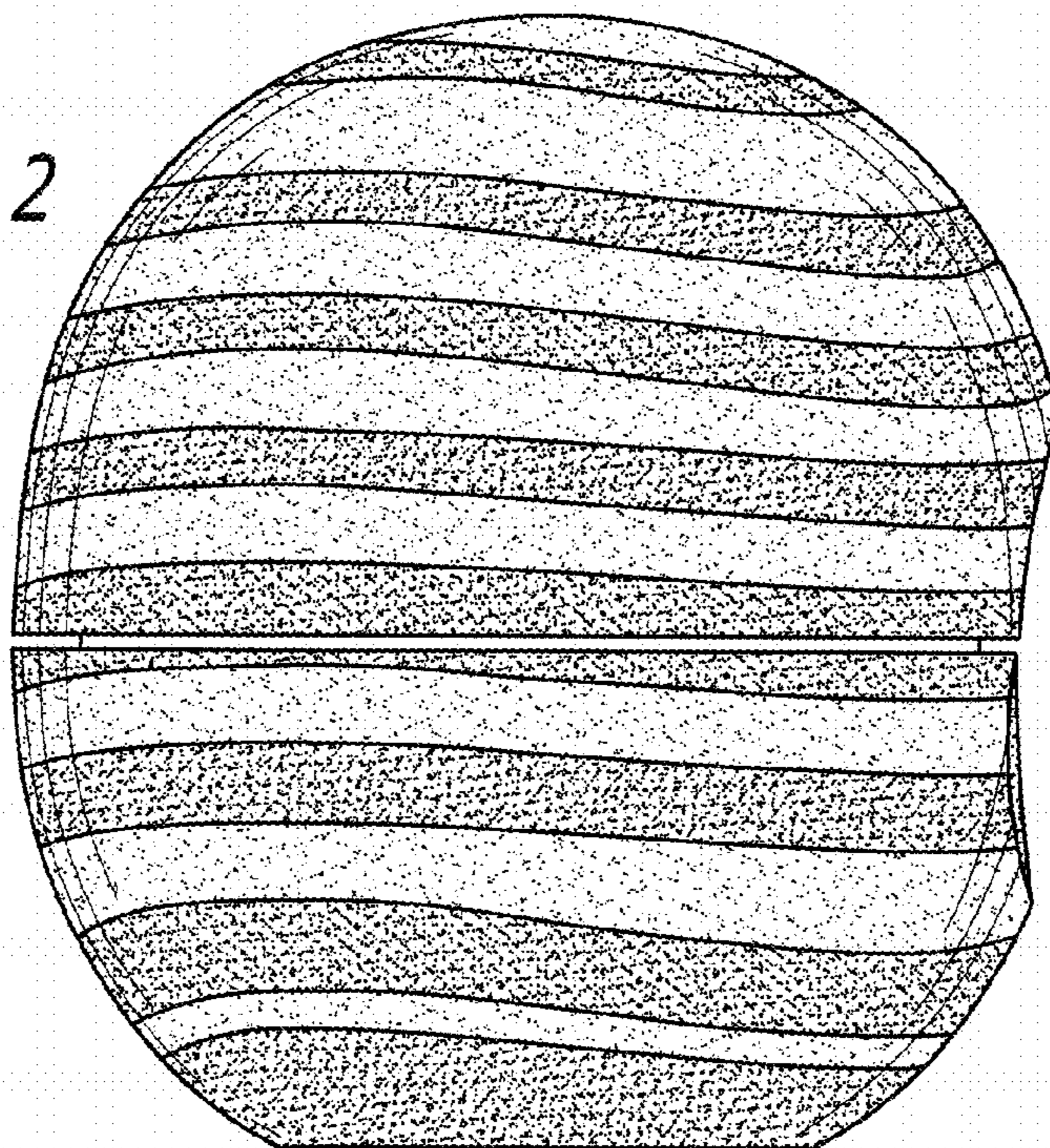
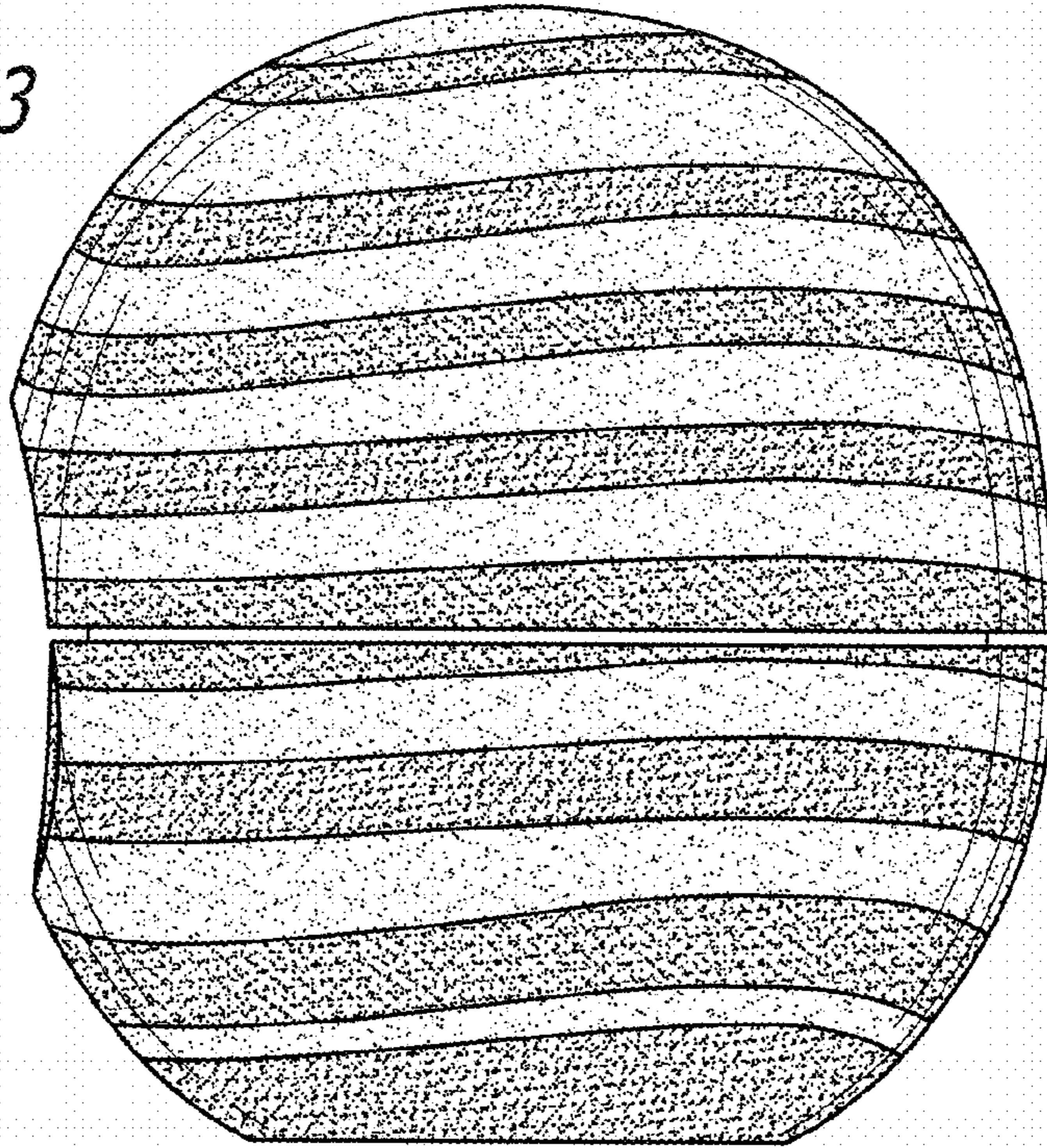


FIG. 2

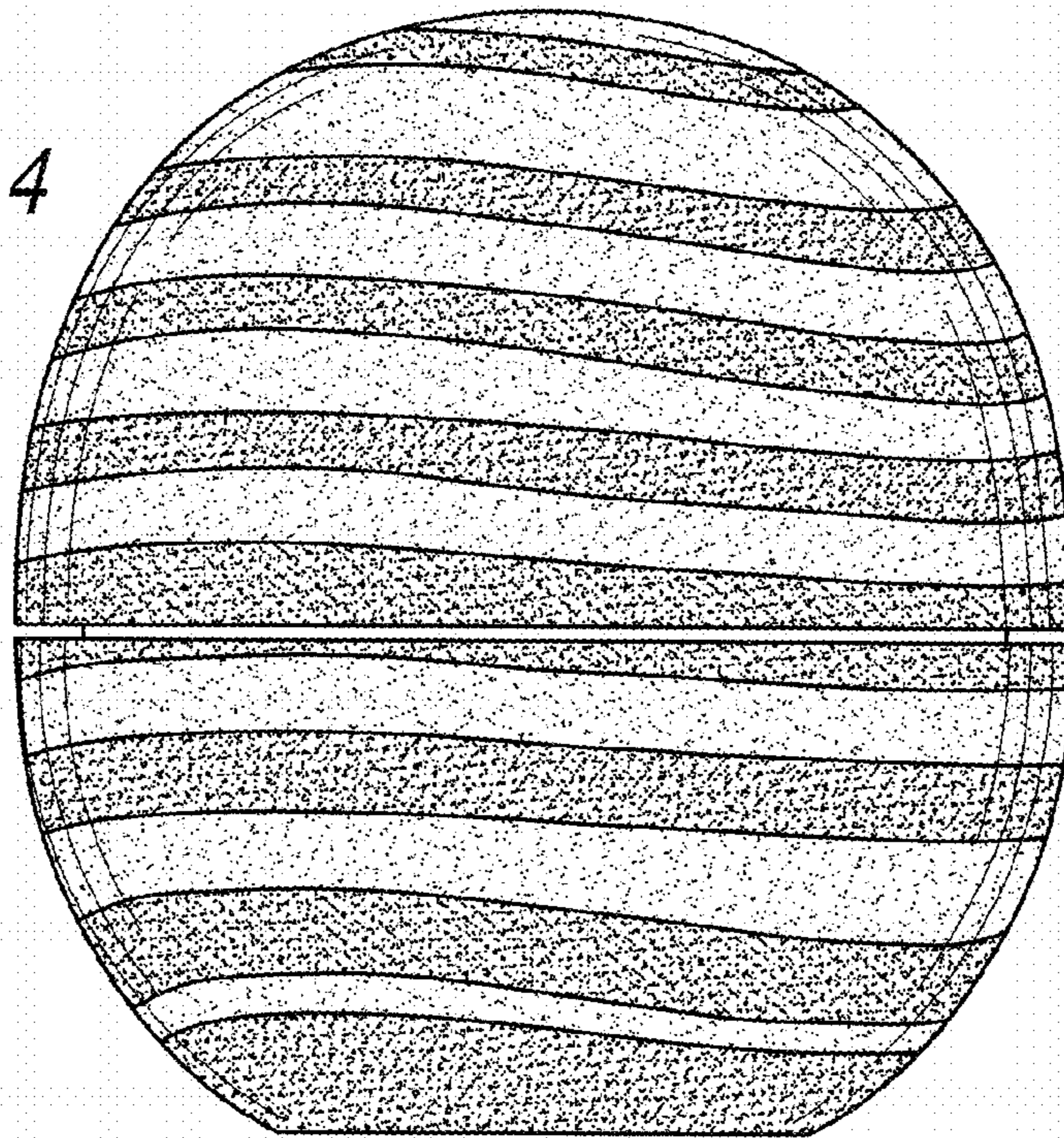




*FIG. 3*

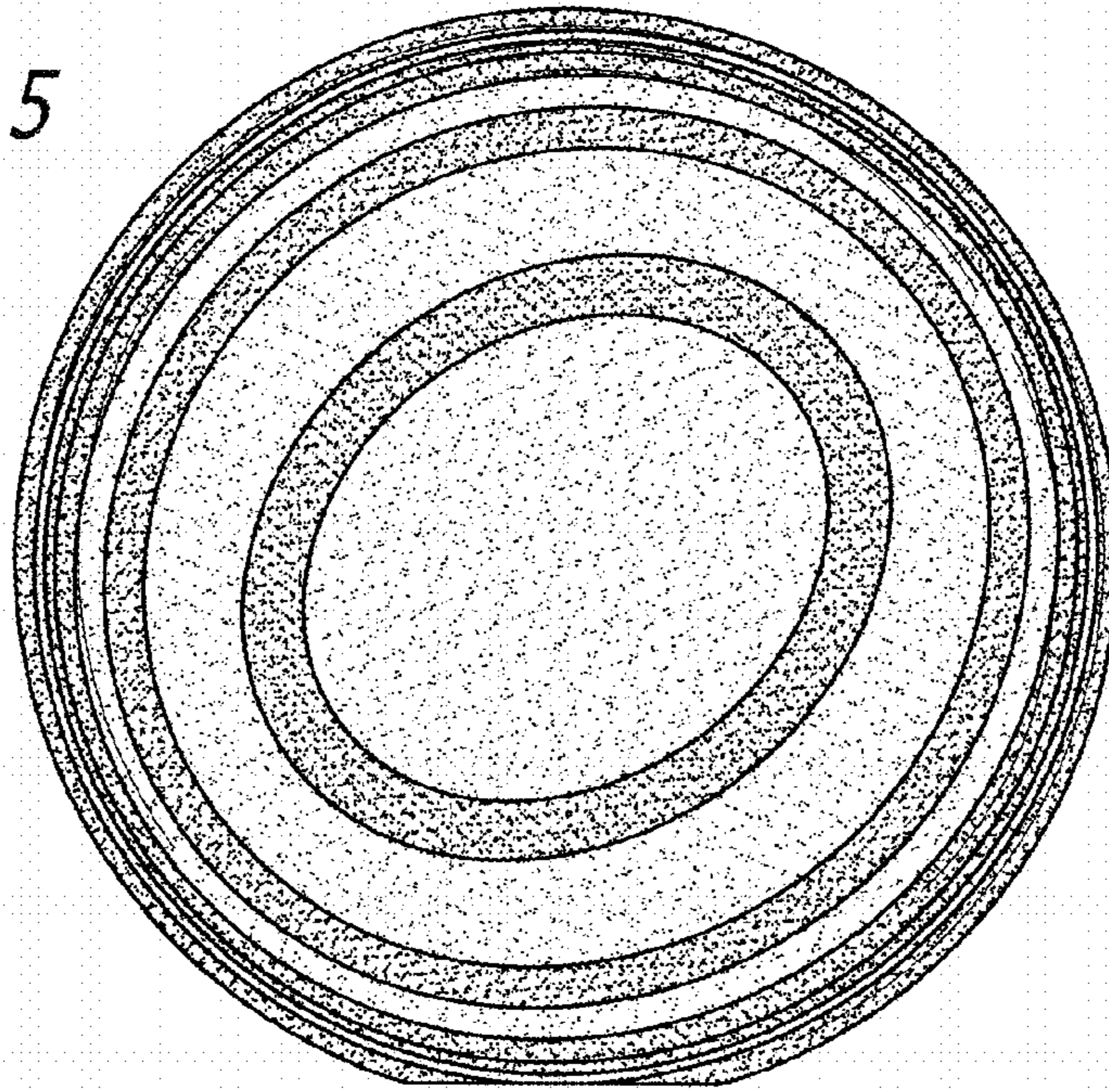


*FIG. 4*

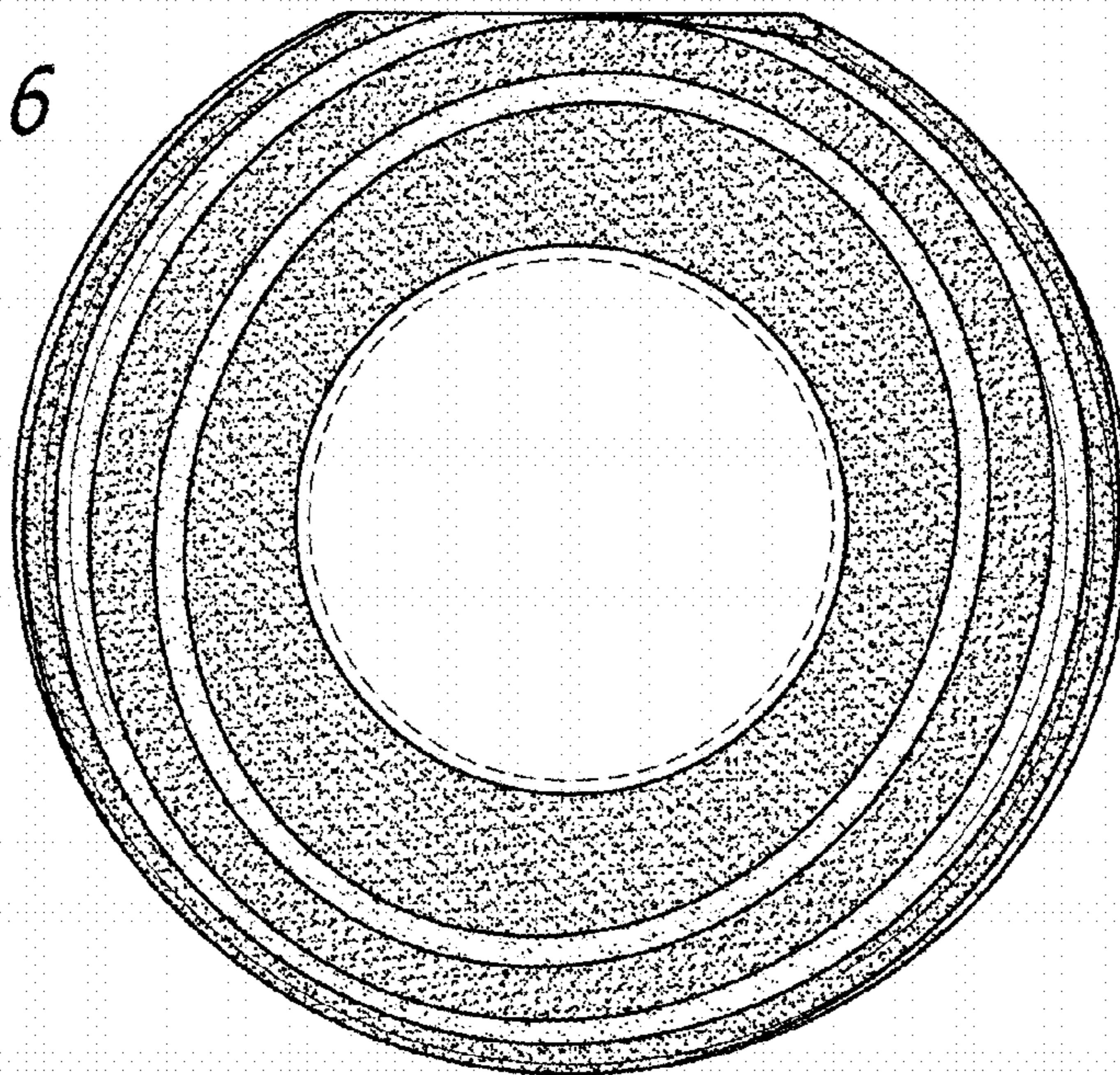




*FIG. 5*



*FIG. 6*



UNITED STATES PATENT AND TRADEMARK OFFICE  
**CERTIFICATE OF CORRECTION**

PATENT NO. : D764,714 S  
APPLICATION NO. : 29/488101  
DATED : August 23, 2016  
INVENTOR(S) : Jonathan Teller et al.

Page 1 of 1

It is certified that error appears in the above-identified patent and that said Letters Patent is hereby corrected as shown below:

Title Page, Item (56) References Cited, U.S. Patent Documents:

Column 2, line 4: change "Dick" to -- Hermann --; and

Column 2, line 6: change "Max" to -- Schmidt --.

Signed and Sealed this  
Eleventh Day of October, 2016



Michelle K. Lee  
*Director of the United States Patent and Trademark Office*