

US00D764712S

(12) **United States Design Patent**  
**Teller et al.**

(10) **Patent No.:** **US D764,712 S**

(45) **Date of Patent:** **\*\* Aug. 23, 2016**

(54) **COSMETIC PRODUCT CONTAINER**

(71) Applicant: **EOS PRODUCTS, LLC**, New York, NY (US)

(72) Inventors: **Jonathan Teller**, New York, NY (US);  
**Sanjiv Mehra**, New York, NY (US);  
**Peter Waxman**, New York, NY (US);  
**Joseph Speter**, New York, NY (US);  
**Sherry Jhawar**, New York, NY (US);  
**Hamish Campbell**, New York, NY (US)

(73) Assignee: **EOS PRODUCTS, LLC**, New York, NY (US)

(\*\*) Term: **14 Years**

(21) Appl. No.: **29/488,098**

(22) Filed: **Apr. 15, 2014**

(51) **LOC (10) Cl.** ..... **28-03**

(52) **U.S. Cl.**  
USPC ..... **D28/82**; D28/88; D9/519; D9/554;  
D9/551

(58) **Field of Classification Search**  
USPC ..... D28/85-91, 82, 76-79, 4-7, 8.1, 8.2, 9;  
D9/502, 570, 503, 504, 519, 552, 554,  
D9/557, 564, 566, 567, 600, 726, 601, 551,  
D9/521, 416, 529, 438, 435, 774, 556;  
D24/101, 102; D1/127, 130; D5/43,  
D5/44, 56, 59, 60, 62, 55; 132/316, 317,  
132/318, 320; 206/581, 823, 385; D3/265,  
D3/270, 271.1; 424/467; D14/489  
CPC ..... B65D 1/00; B65D 3/00; B65D 5/00;  
B65D 11/00; B65D 25/00; B65D 81/00  
See application file for complete search history.

(56) **References Cited**

**U.S. PATENT DOCUMENTS**

D16,159 S \* 7/1885 Atterbury ..... D9/545  
1,852,455 A 4/1932 Friedman

5,044,496 A 9/1991 Tanaka  
D326,411 S \* 5/1992 Wefler ..... D9/552  
D358,231 S \* 5/1995 Liu ..... D28/82  
6,193,427 B1 2/2001 Benguigui  
D447,305 S \* 8/2001 Hughes ..... D34/1  
D454,664 S \* 3/2002 Look ..... D28/77  
6,391,972 B1 5/2002 Hatakeyama  
D469,697 S \* 2/2003 Herrin et al. .... D9/539  
D518,382 S \* 4/2006 McGuinness ..... D9/504

(Continued)

**FOREIGN PATENT DOCUMENTS**

JP 1136041 S 3/2002  
JP 2001321140 A 11/2004

**OTHER PUBLICATIONS**

SIPO Office Action issued Jul. 17, 2014 in connection with CN Appl. No. 201080063211.X citing JP 2004-321410A and JP 1136041S.

*Primary Examiner* — Marianne Pandozzi

*Assistant Examiner* — Jae Liang

(74) *Attorney, Agent, or Firm* — Martin & Ferraro, LLP

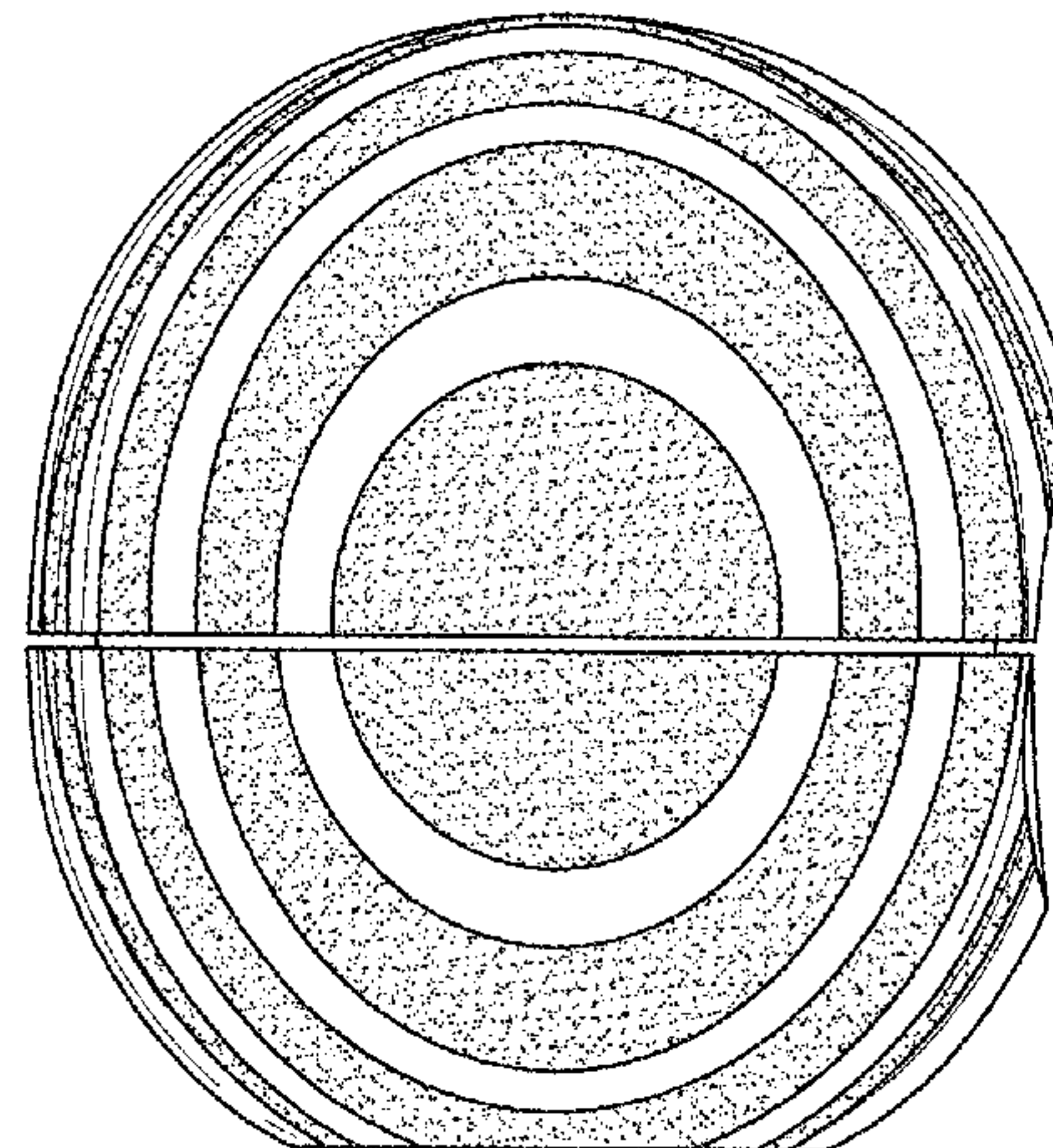
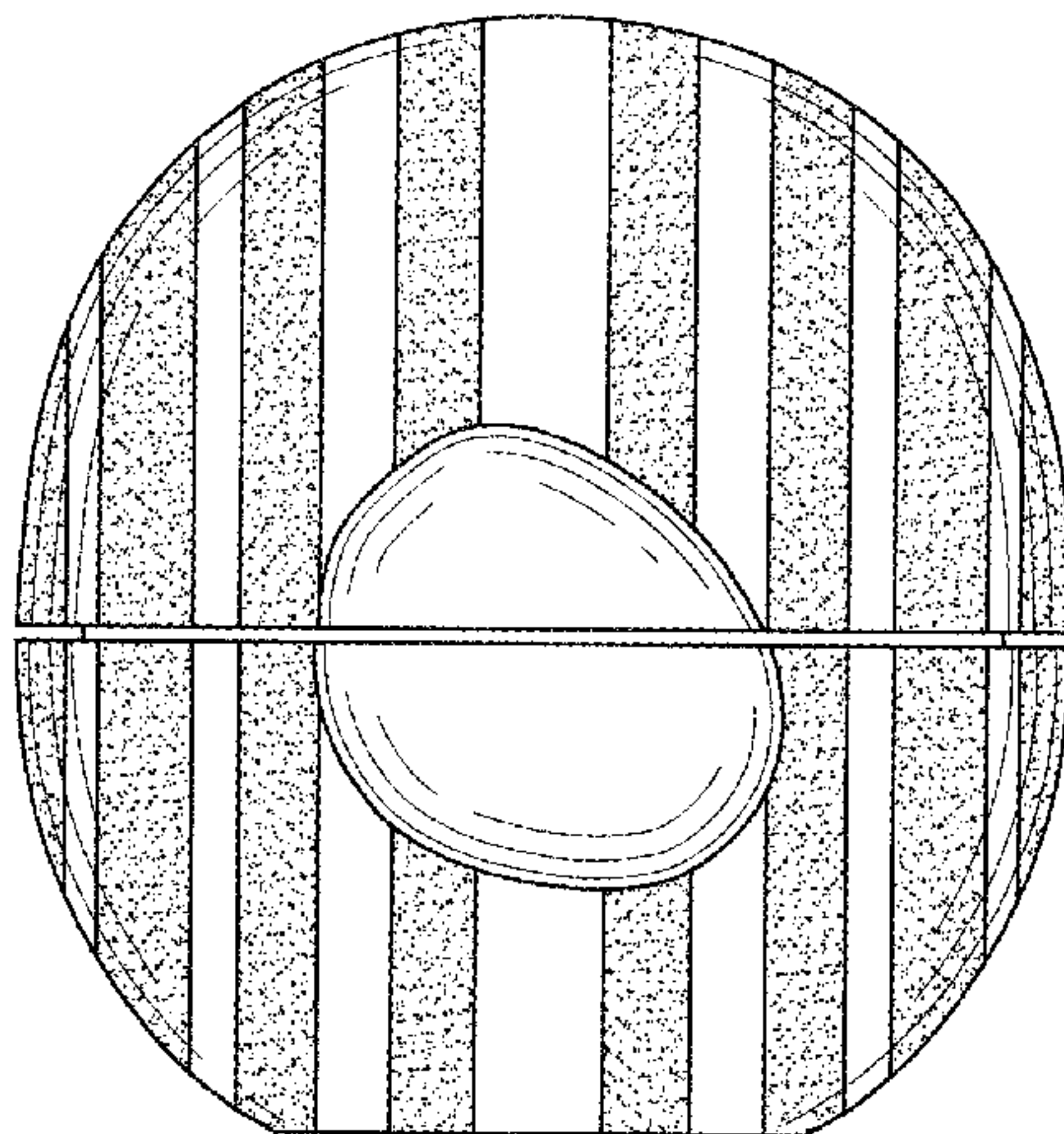
(57) **CLAIM**

The ornamental design for a cosmetic product container, as shown and described.

**DESCRIPTION**

FIG. 1 is a front elevational view of a cosmetic product container showing my new design; FIG. 2 is a left side elevational view thereof; FIG. 3 is a right side elevational view thereof; FIG. 4 is a rear elevational view thereof; FIG. 5 is a top plan view thereof; and, FIG. 6 is a bottom plan view thereof. The broken lines in the drawing depict portions of the cosmetic product container that form no part of the claimed design. The stippling in FIGS. 1-6 shows contrast in appearance.

**1 Claim, 3 Drawing Sheets**



(56)

**References Cited**

U.S. PATENT DOCUMENTS

D572,145 S *	7/2008	Knapp et al. ....	D9/635	D639,176 S *	6/2011	Paulo Caldas .....	D9/550
D592,463 S *	5/2009	Ehrenhaus et al. ....	D7/613	D644,939 S *	9/2011	Teller .....	D9/726
D614,452 S *	4/2010	Ablo .....	D7/628	D650,241 S *	12/2011	Ehrenhaus et al. ....	D7/628
D622,597 S *	8/2010	Dabrowski .....	D9/538	D656,798 S *	4/2012	Guastafeste .....	D7/628
D622,604 S *	8/2010	Wheeler .....	D9/556	D662,652 S *	6/2012	Browder .....	D26/134
D625,469 S *	10/2010	Dubitsky et al. ....	D28/84	D681,278 S *	4/2013	Schlatter .....	D28/89
				8,444,337 B2 *	5/2013	Teller .....	401/88
				D708,790 S *	7/2014	Schlatter .....	D28/89
				2007/0017915 A1 *	1/2007	Weder et al. ....	220/4.21

\* cited by examiner



FIG. 1

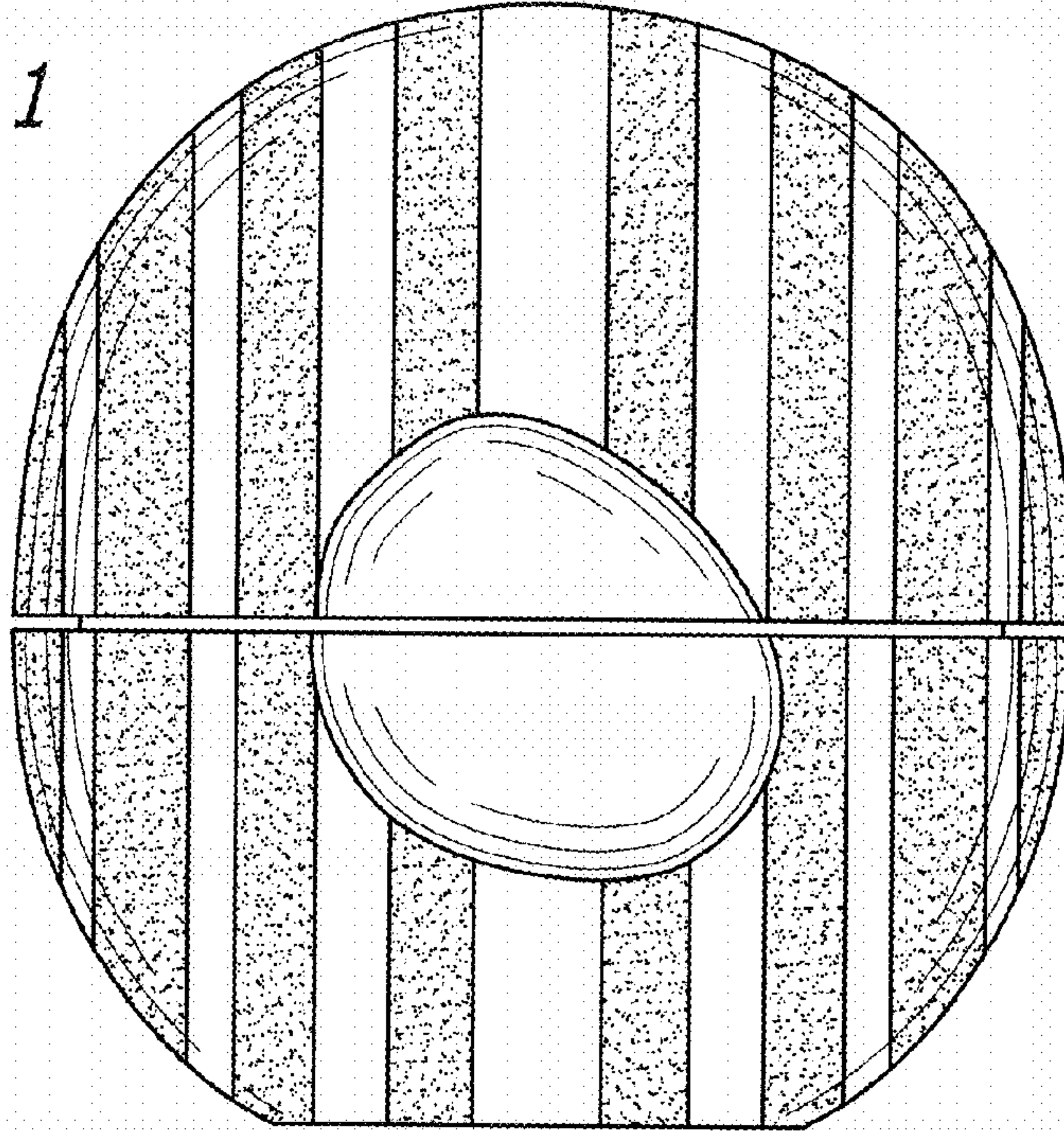
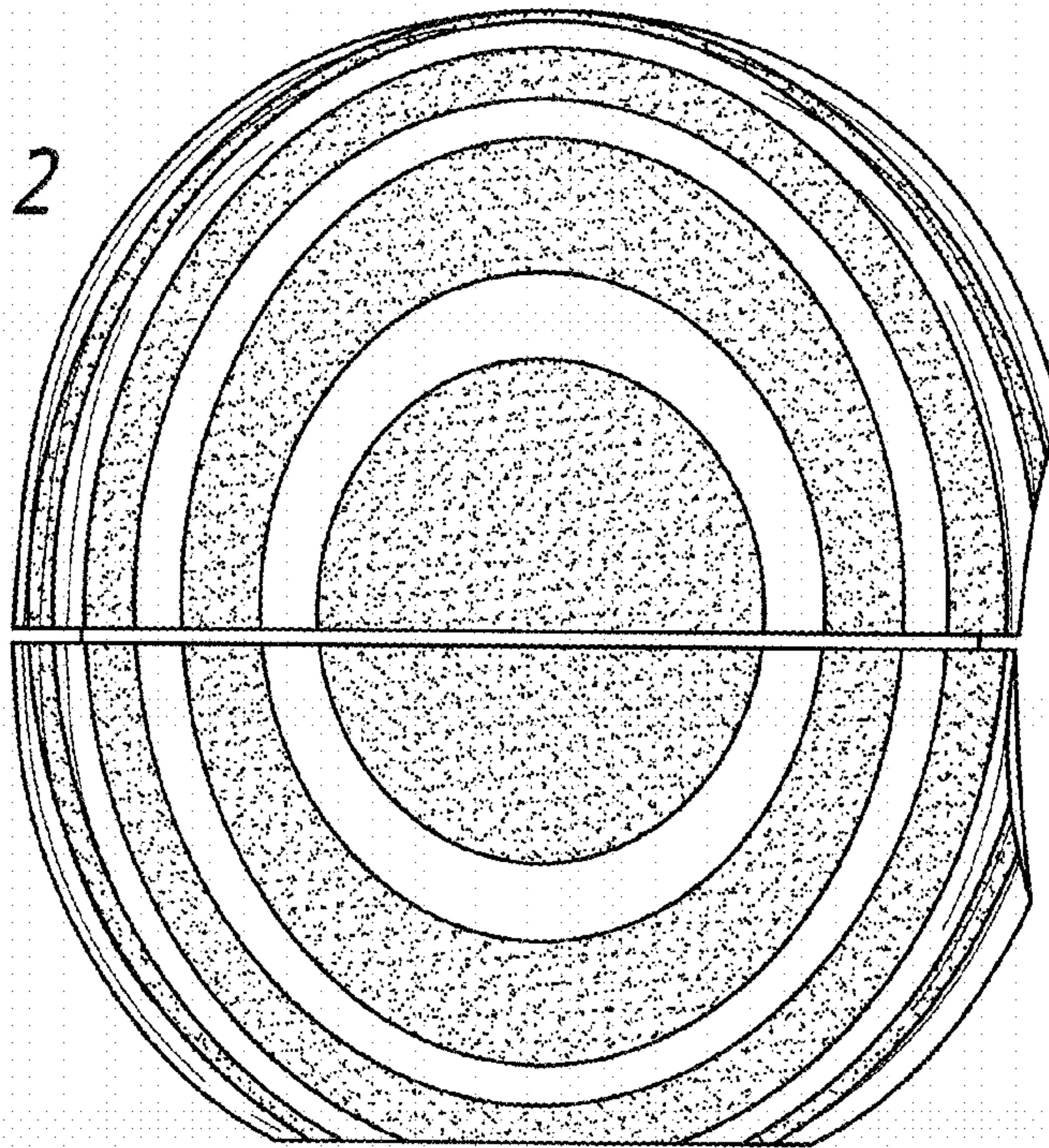


FIG. 2

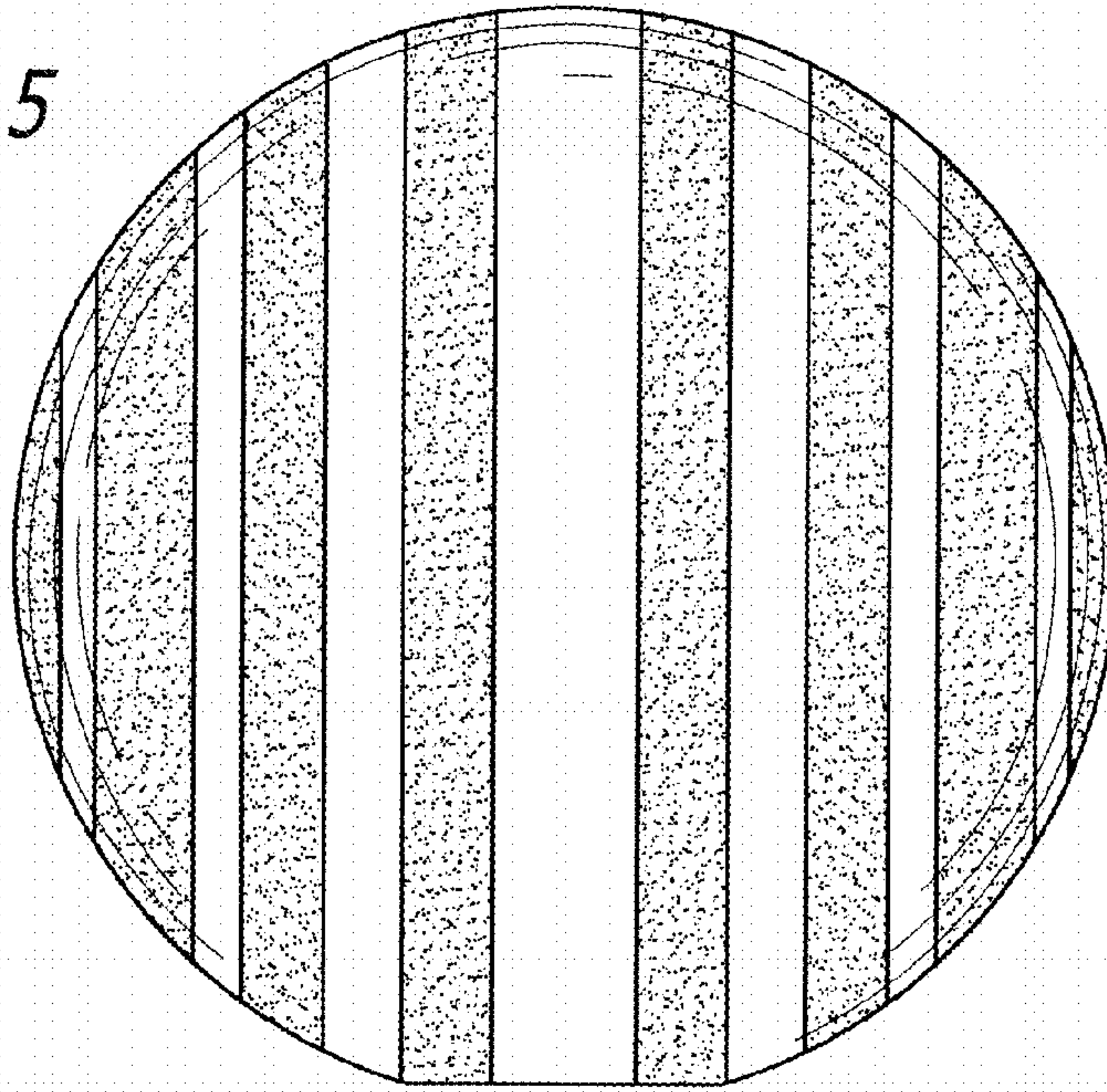








*FIG. 5*



*FIG. 6*

