



US00D764709S

(12) **United States Design Patent**
Filho et al.

(10) **Patent No.:** **US D764,709 S**
(45) **Date of Patent:** **** Aug. 23, 2016**

(54) **BRUSH DRYING RACK**

(71) Applicant: **Sigma Enterprises, LLC**, New Brighton, MN (US)
(72) Inventors: **Rene Xavier Filho**, Fort Lauderdale, FL (US); **Simone Rodrigues Oliveira Xavier**, Fort Lauderdale, FL (US)
(73) Assignee: **Sigma Enterprises, LLC**, New Brighton, MN (US)
(**) Term: **14 Years**

(21) Appl. No.: **29/511,242**
(22) Filed: **Dec. 9, 2014**
(51) **LOC (10) Cl.** **28-03**
(52) **U.S. Cl.**
USPC **D28/73; D8/396**
(58) **Field of Classification Search**
USPC D28/17, 18, 9, 61, 62, 73, 99; D6/567, D6/566, 528, 531, 527, 681.3, 682.2, D6/682.3, 682.5, 682.6, 672, 524, 552, D6/682.4, 680.2; D8/373, 366, 71, 256, D8/376, 38, 395, 396, 354; D19/101, 102, D19/105
CPC A47G 29/08; A47G 29/00; A45D 44/02; A45D 44/18; A45D 44/00; A46B 15/0095
See application file for complete search history.

(56) **References Cited**

U.S. PATENT DOCUMENTS

530,386	A	12/1894	Boeckh, Jr.	
634,570	A	10/1899	Briggs	
816,793	A	4/1906	Harris	
1,359,650	A	11/1920	Amis	
2,263,119	A	11/1941	Cornell	
2,485,068	A	10/1949	Santana	
2,963,150	A	12/1960	Dgetluck	
D195,072	S *	4/1963	Louis	D28/76
3,325,847	A	6/1967	Meranto	

(Continued)

OTHER PUBLICATIONS

Amazon.com, "W-Tool Nail Art Pen Pot Brush Cleaner Holder", Reviewed on Nov. 29, 2014. Accessed Jan. 27, 2016. (http://www.amazon.com/W-Tool-Nail-Brush-Cleaner-Holder/dp/B00FNFZHGY/ref=sr_1_92?s=arts-crafts&ie=UTF8&qid=1453927326&sr=1-92&keywords=brush+holder).*

(Continued)

Primary Examiner — Jennifer Rivard
Assistant Examiner — April Rivas

(74) *Attorney, Agent, or Firm* — Dorsey & Whitney LLP

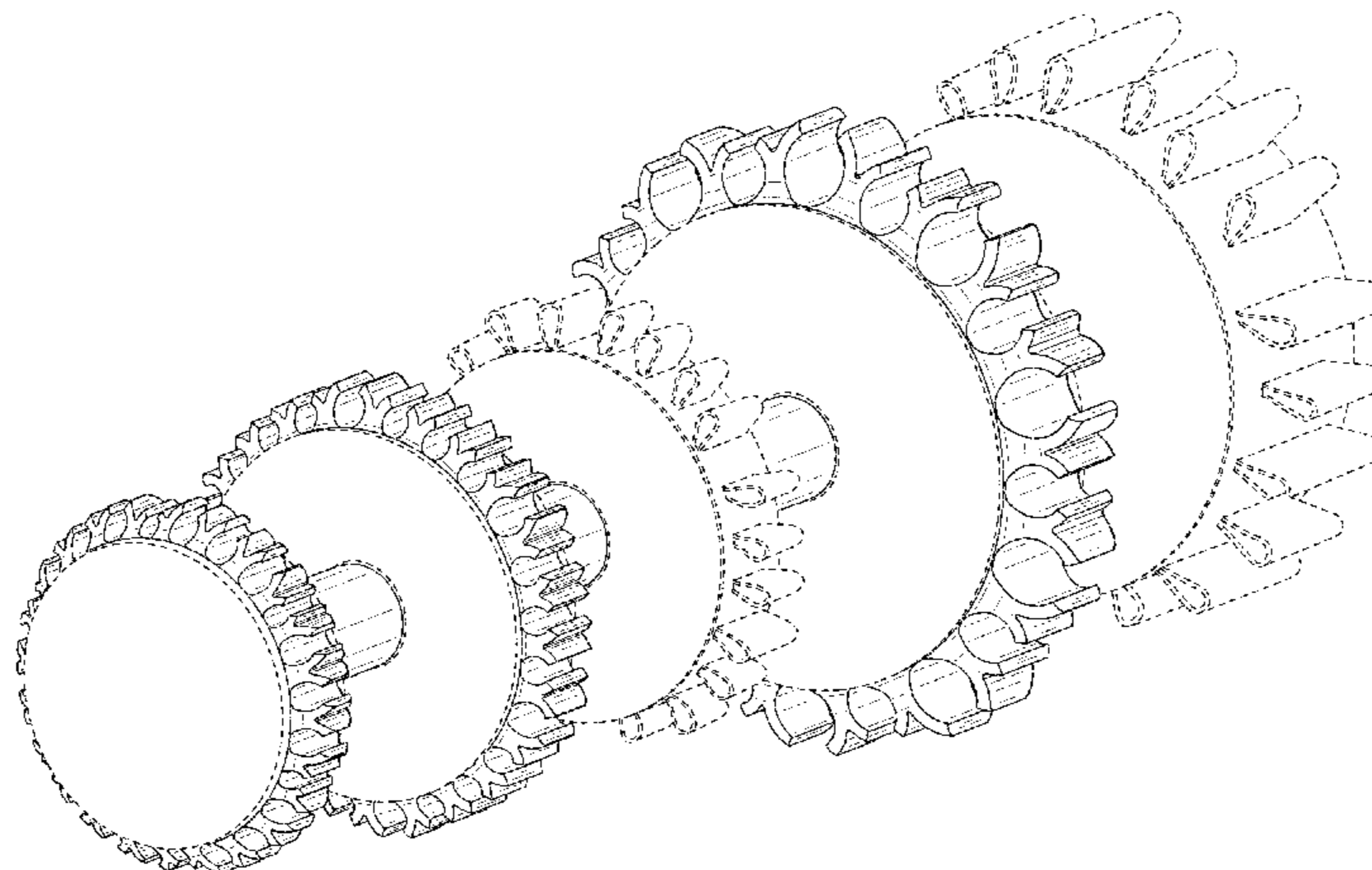
(57) **CLAIM**

We claim the ornamental design for a brush drying rack, as shown and described.

DESCRIPTION

FIG. 1 is a top isometric view of a brush drying rack.
FIG. 2 is a top isometric view of the brush drying rack of FIG. 1.
FIG. 3 is a bottom isometric view of the brush drying rack of FIG. 1.
FIG. 4 is a front elevation view of the brush drying rack of FIG. 1.
FIG. 5 is a rear elevation view of the brush drying rack of FIG. 1.
FIG. 6 is a right-side elevation view of the brush drying rack of FIG. 1. The left-side elevation view is a mirror image of the right-side elevation view.
FIG. 7 is a top plan view of the brush drying rack of FIG. 1; and,
FIG. 8 is a bottom plan view of the brush drying rack of FIG. 1.
The shaded surfaces illustrate the claimed design. The broken lines and the unshaded areas within illustrate portions of the brush drying rack and form no part of the claimed design.

1 Claim, 8 Drawing Sheets



(56)

References Cited

U.S. PATENT DOCUMENTS

3,749,233 A 7/1973 McCormick, Jr.
 4,129,918 A 12/1978 Lee
 D286,093 S * 10/1986 Coller D28/76
 D300,266 S * 3/1989 Lane D11/118
 4,847,939 A 7/1989 Derencsenyi et al.
 4,871,074 A 10/1989 Bryson
 D341,276 S * 11/1993 Jones D6/552
 5,427,239 A 6/1995 Hunt
 5,543,194 A 8/1996 Rudy
 D376,309 S 12/1996 Takai
 D395,815 S * 7/1998 Walters D8/354
 D406,749 S 3/1999 Selk
 D421,318 S * 2/2000 O'Brien D26/138
 6,199,695 B1 3/2001 Van Diest et al.
 D439,828 S 4/2001 Kiely
 D454,012 S * 3/2002 Chen D6/682.4
 D455,925 S * 4/2002 Carlson D6/531
 D470,937 S 2/2003 Gary
 D480,938 S * 10/2003 Whitley D8/71
 6,752,267 B2 6/2004 MacPherson et al.
 D508,842 S * 8/2005 Paolini D8/395
 7,140,061 B2 11/2006 Baker et al.
 D544,264 S * 6/2007 Gallagher D6/524
 D568,254 S * 5/2008 Patchett D13/155
 D587,564 S 3/2009 Kodi
 D597,403 S * 8/2009 Ho D8/356
 D601,879 S * 10/2009 Kim D8/356
 D621,693 S 8/2010 Dong
 D634,566 S * 3/2011 Gonnelli D6/680.2
 D644,501 S 9/2011 Chen
 D652,517 S 1/2012 Weaver
 D674,271 S * 1/2013 Rodwin D8/356
 D680,773 S * 4/2013 Tebbe D6/682.4
 D691,032 S 10/2013 Chen

D691,873 S * 10/2013 Ganski D8/356
 D691,876 S * 10/2013 Ganski D8/356
 D691,877 S * 10/2013 Ganski D8/356
 D701,000 S * 3/2014 DiGirolamo D28/73
 D733,534 S 7/2015 Altrichter
 D733,535 S 7/2015 Egami
 D741,149 S * 10/2015 Koop D8/356
 2001/0042281 A1 11/2001 Forsline
 2004/0099624 A1 5/2004 Hein
 2004/0250840 A1 12/2004 Baker et al.
 2007/0056130 A1 3/2007 Baker et al.
 2007/0151573 A1 7/2007 Christian
 2015/0128444 A1 * 5/2015 Filho A46B 15/0095
 34/282

OTHER PUBLICATIONS

Cloud10beauty.com, "Sigma Beauty Dryn Shape Tower Full Set",
 Accessed Jan. 27, 2016. (<http://www.cloud10beauty.com/sigma-beauty-dry-n-shape-tower-full-set.html>).
 "Caring for your Make-Up Brushes." Basic MakeUp and Anti Aging Products. 4 pages. Obtained Oct. 27, 2011 from <<http://www.basicmakeup.com/make-up-brushes/>>.
 "Cosmetic Brushes." Basic MakeUp and Anti Aging Products. 4 pages. Obtained Oct. 27, 2011 from <<http://www.basicmakeup.com/cosmetic-brushes/>>.
 "Makeup Brush Cleaning." 3 pages. Obtained Oct. 27, 2011 from <<http://makeup.beautyhill.com/makeup-brush-cleaning.html/>>.
 "The Brush Guard." 2 pages. Obtained Oct. 27, 2011 from <<http://www.thebrushguard.com/use.html>>.
 amazon.com, "Insten Cable Wire Cord Clips Organizer . . . ",
 Accessed Feb. 11, 2016. Earliest Review Oct. 27, 2012. (http://www.amazon.com/Insten-Organizer-Computer-Desktop-6-pieces/productreviews/B007O5HI7M/ref=cm_cr_dp_all_btm?ie=UTF8&showViewpoints=1&sortBy=recent>.

* cited by examiner

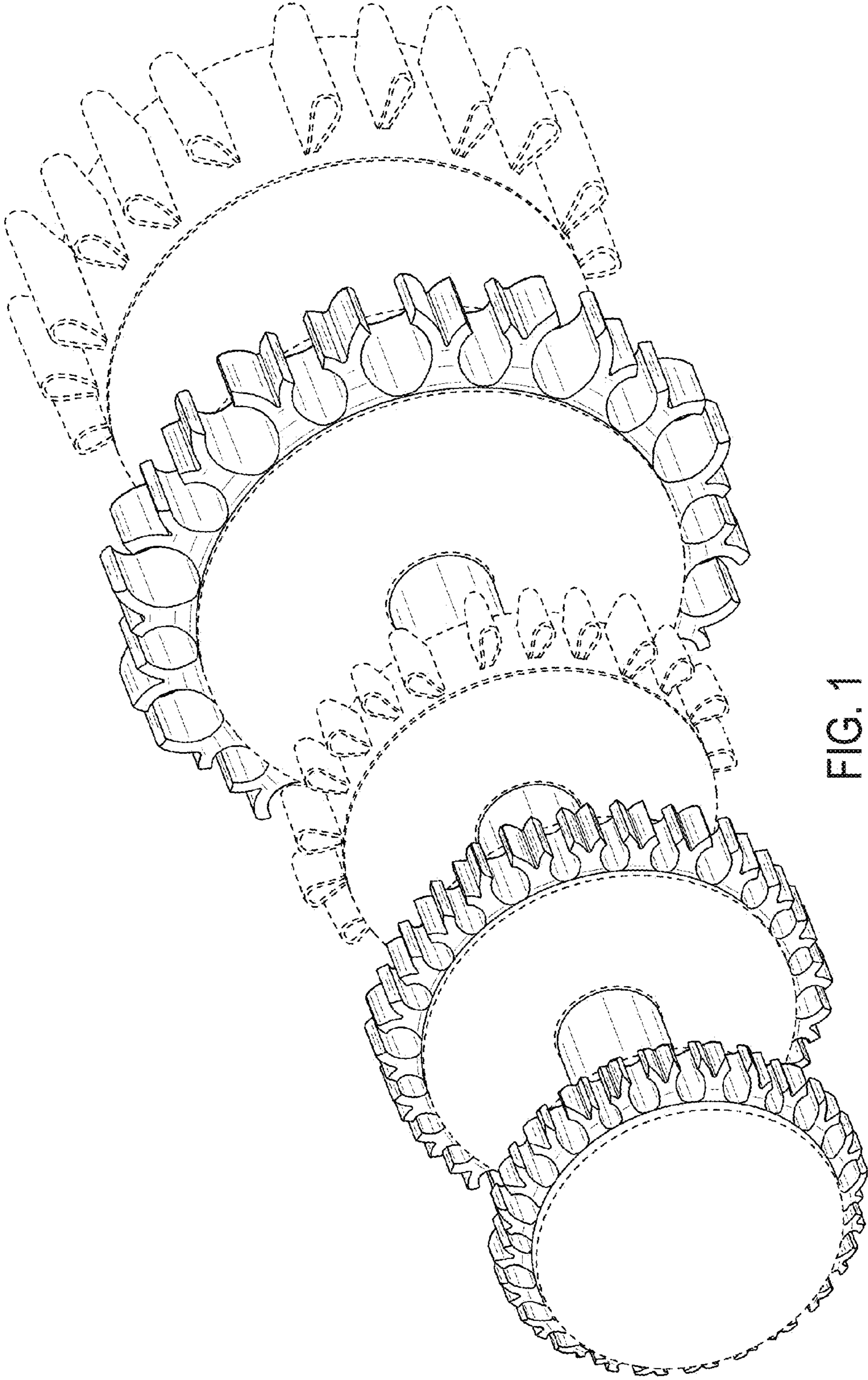


FIG. 1

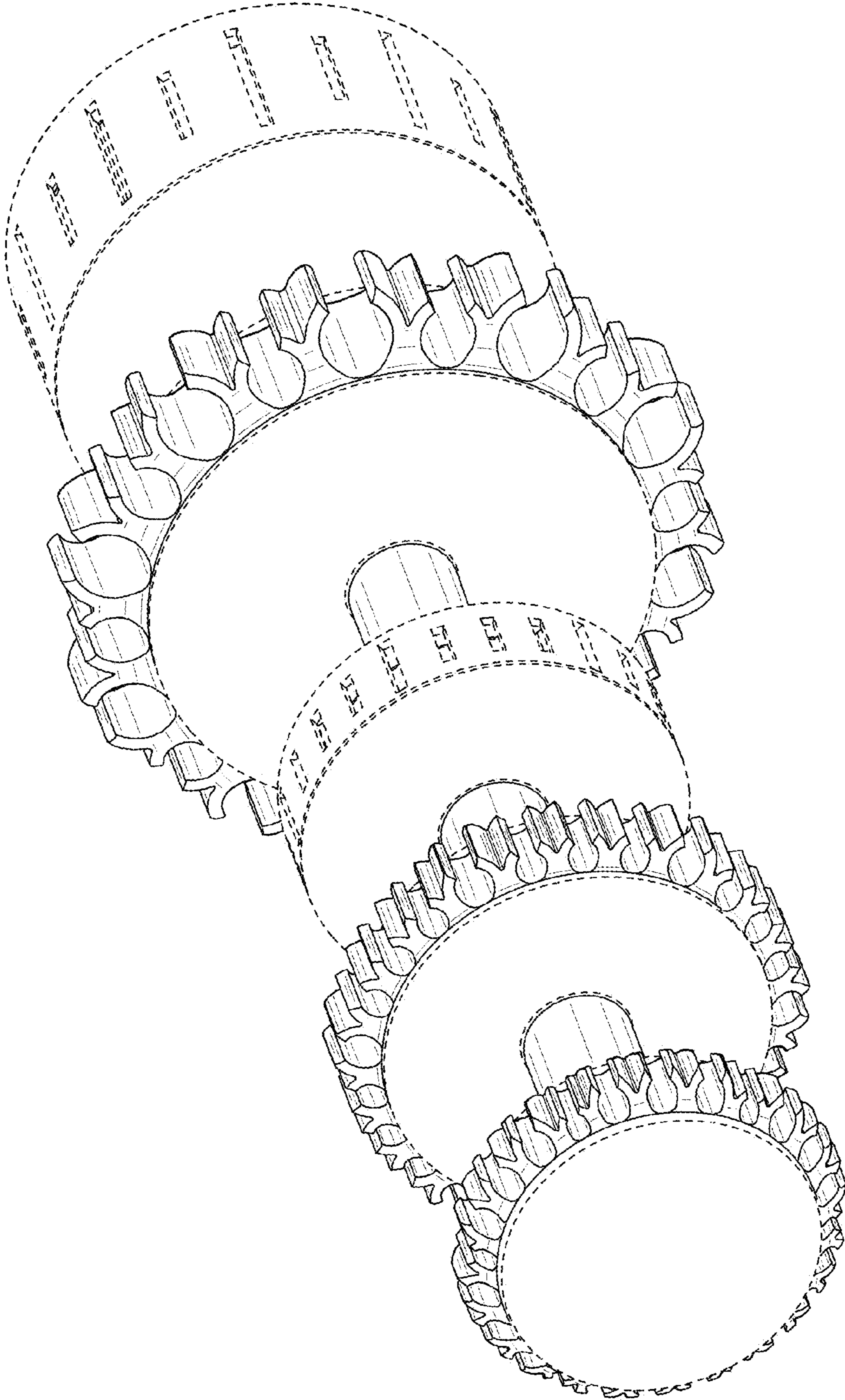


FIG. 2

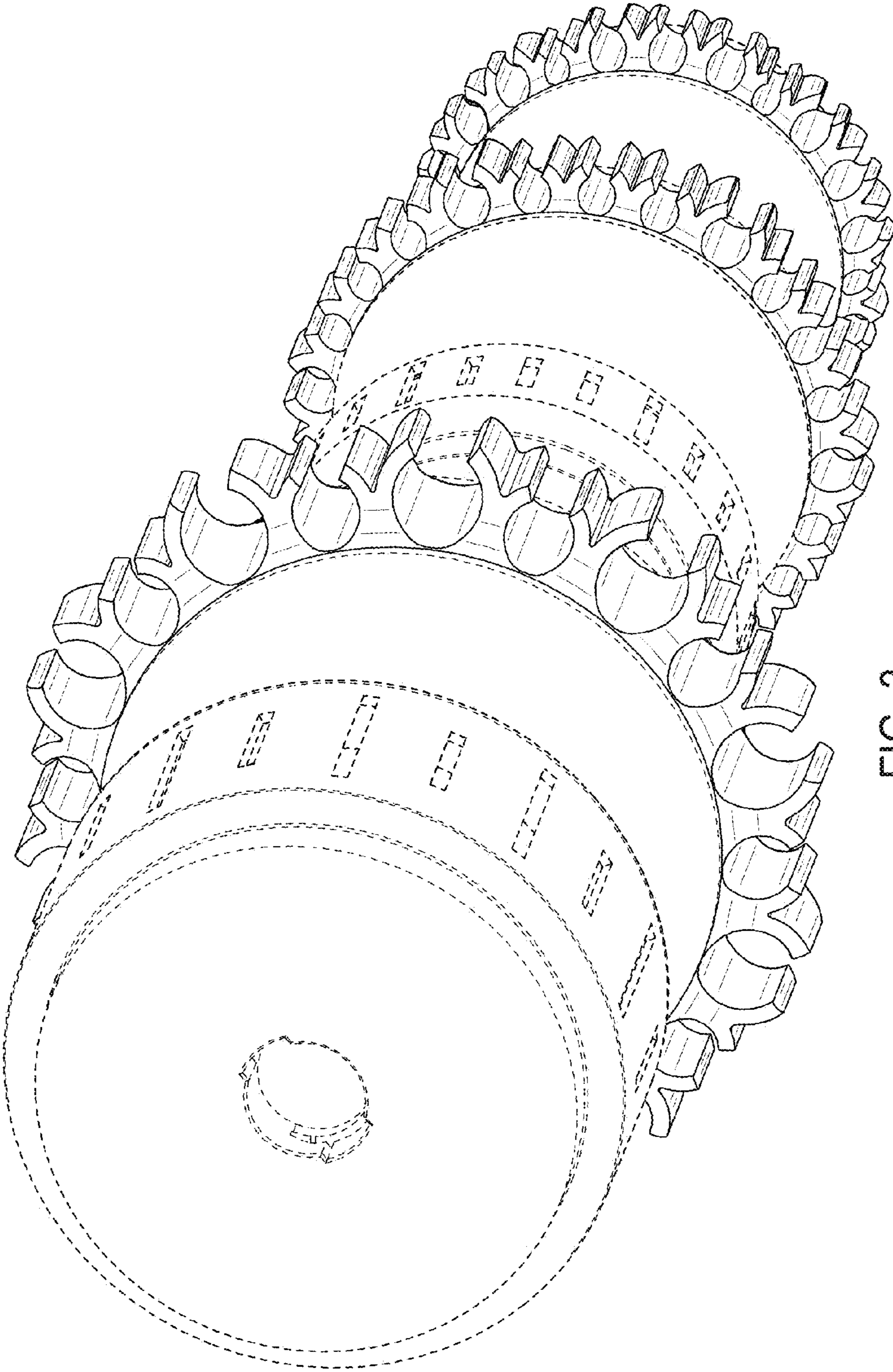


FIG. 3

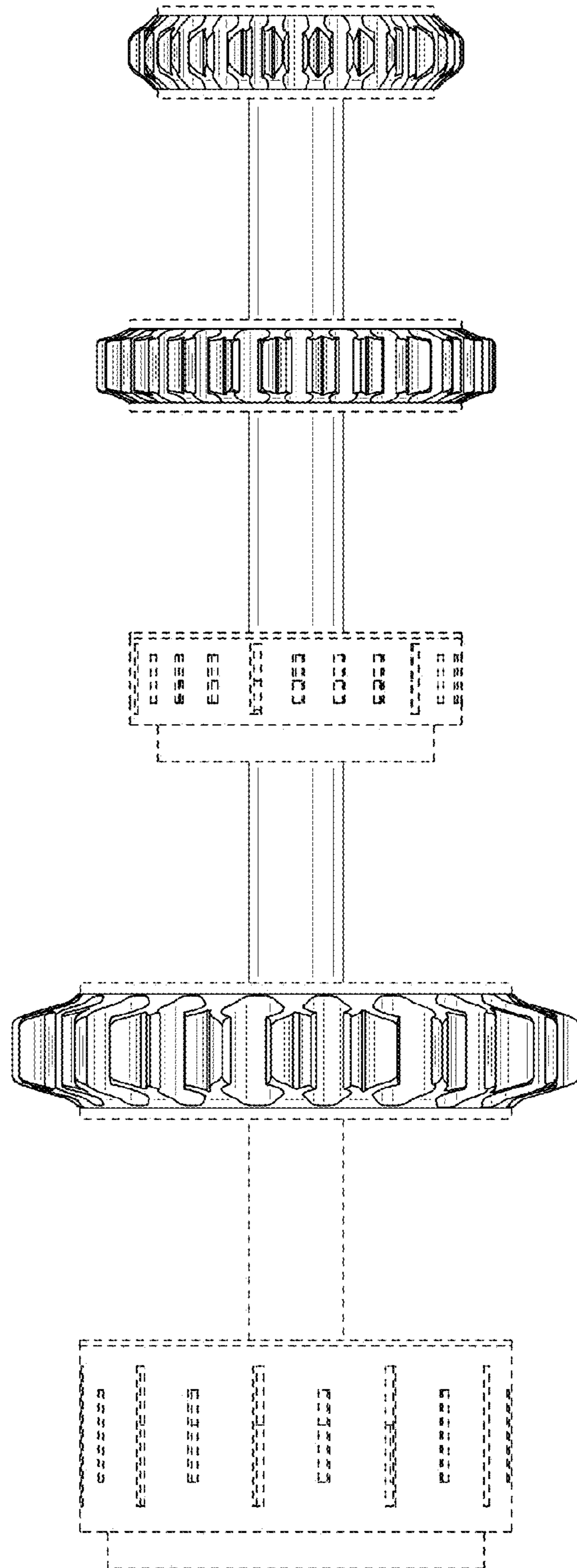


FIG. 4

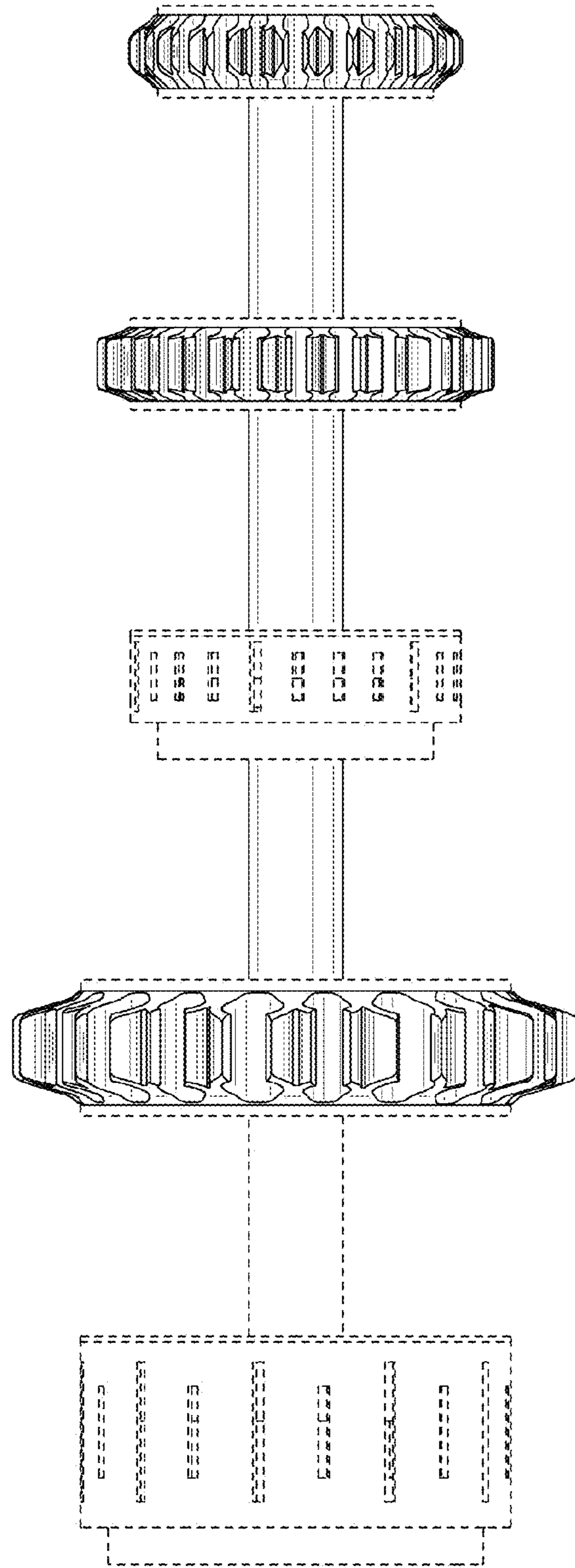


FIG. 5

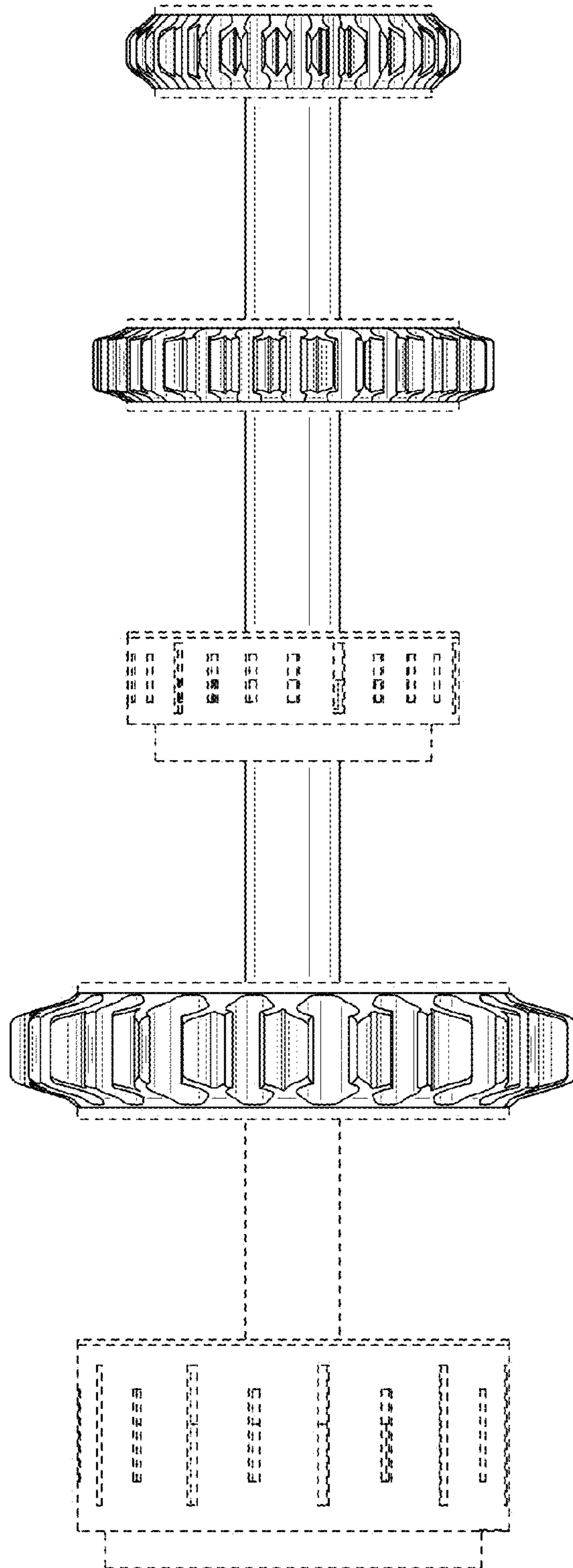


FIG. 6

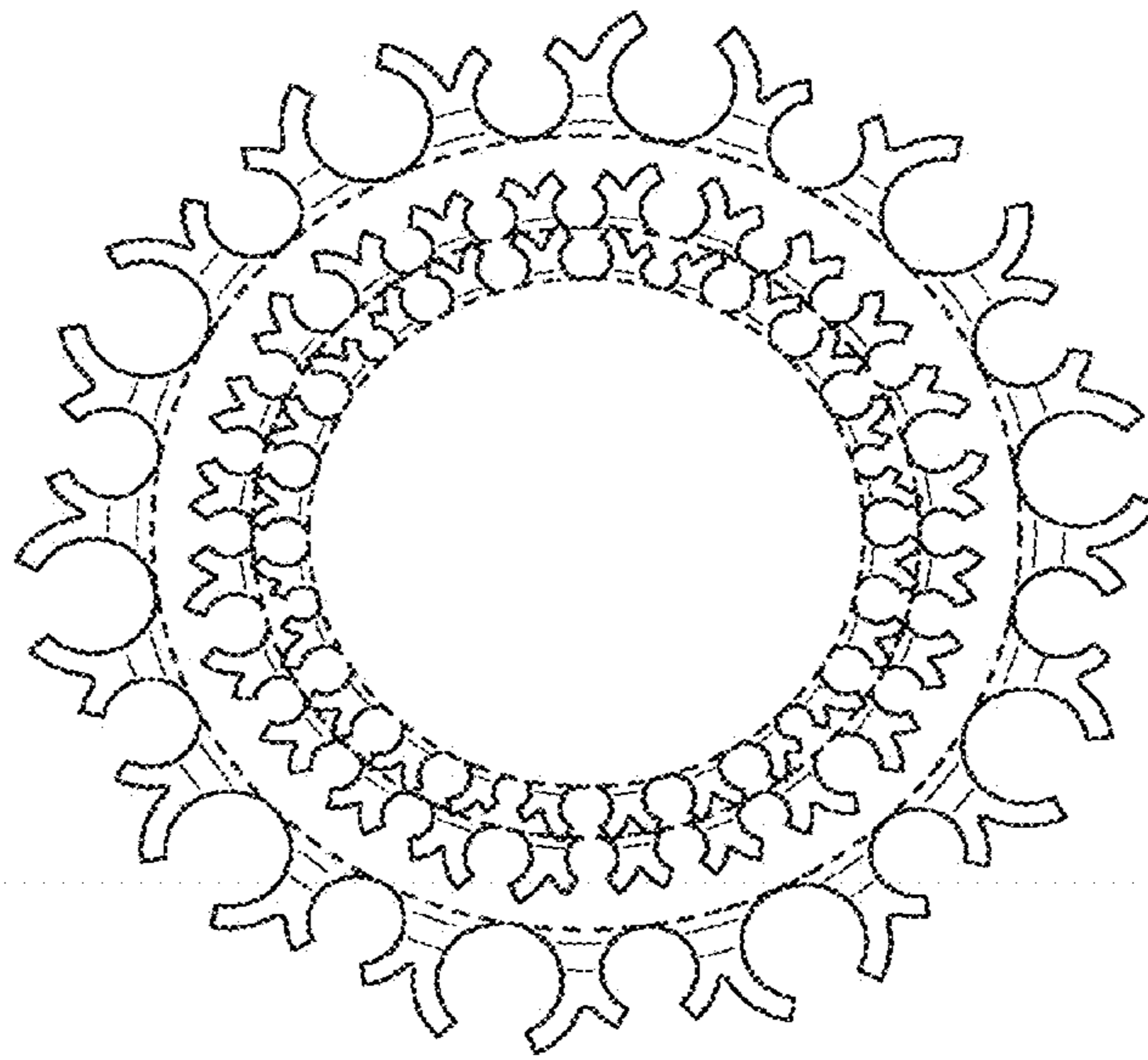


FIG. 7

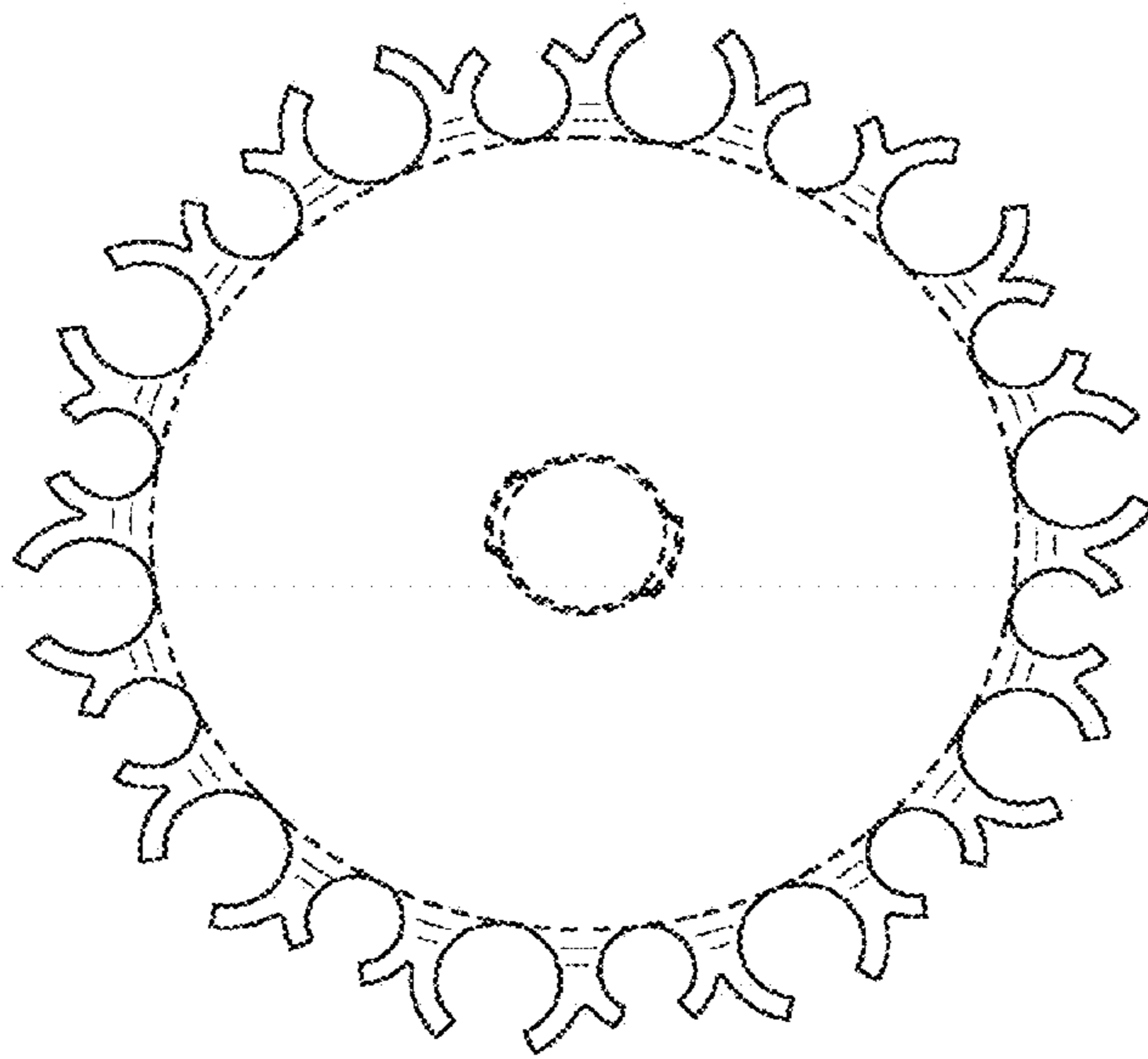


FIG. 8