



US00D764708S

(12) **United States Design Patent**
Goodman et al.

(10) **Patent No.:** **US D764,708 S**
(45) **Date of Patent:** **** Aug. 23, 2016**

- (54) **STYLING RACK**
- (71) Applicant: **Spectrum Diversified Designs, Inc.**,
Streetsboro, OH (US)
- (72) Inventors: **Sheldon H. Goodman**, Solon, OH (US);
Phaysouk Xayoiphonh, Akron, OH
(US); **Jennifer K. Case**, Middleburg
Heights, OH (US)
- (73) Assignee: **SPECTRUM DIVERSIFIED
DESIGNS, LLC**, Streetsboro, OH (US)
- (**) Term: **14 Years**
- (21) Appl. No.: **29/494,724**
- (22) Filed: **Jun. 24, 2014**
- (51) **LOC (10) Cl.** **28-03**
- (52) **U.S. Cl.**
USPC **D28/73**; D28/38; D3/306
- (58) **Field of Classification Search**
USPC D28/73, 77, 38; D6/567, 566, 528, 531,
D6/527, 524, 525, 526, 537, 553, 513,
D6/562; D7/600.1-600.4, 704; D8/373,
D8/366, 352, 356, 376, 380; 248/317
CPC A45D 44/04; A45D 22/00; A45D 20/12;
A45D 2020/126; A45D 2020/128; A45D
44/02; A45D 2001/002; A45D 20/16; A47F
5/00; A47F 5/01; A47F 5/13
See application file for complete search history.

(56) **References Cited**

U.S. PATENT DOCUMENTS

D365,481 S	*	12/1995	McKeon	D6/513
D400,037 S	*	10/1998	Bartholow	D6/566
D430,441 S	*	9/2000	Rosenberg	D6/566
D470,394 S	*	2/2003	Harwanko	D8/372
D497,688 S	*	10/2004	Issa	D28/18

D499,286 S	*	12/2004	Harwanko	D6/514
D570,633 S	*	6/2008	Goodman	D6/566
D666,858 S	*	9/2012	Goodman	D6/566
D677,089 S	*	3/2013	Tawil	D6/525
D700,453 S	*	3/2014	Goodman	D6/566
D719,797 S	*	12/2014	Puruganan	D7/704
D723,834 S	*	3/2015	Tawil	D6/525
2007/0193969 A1	*	8/2007	Albanese	211/85.2

OTHER PUBLICATIONS

Wayfair.com. "hair dryer" tagged item under all bathroom accessories. Accessed on Oct. 6, 2015.(<http://www.wayfair.com/filters/All-Bathroom-Accessories-I363-c1773103-q-hair+dryer.html>).*
Google.com, Image search "under cabinet hair dryer holder", date restricted to show results prior to Jan. 23, 2013. Accessed Oct. 7, 2015.*

* cited by examiner

Primary Examiner — Jennifer Rivard

Assistant Examiner — April Rivas

(74) *Attorney, Agent, or Firm* — Benesch, Friedlander, Coplan & Aronoff LLP

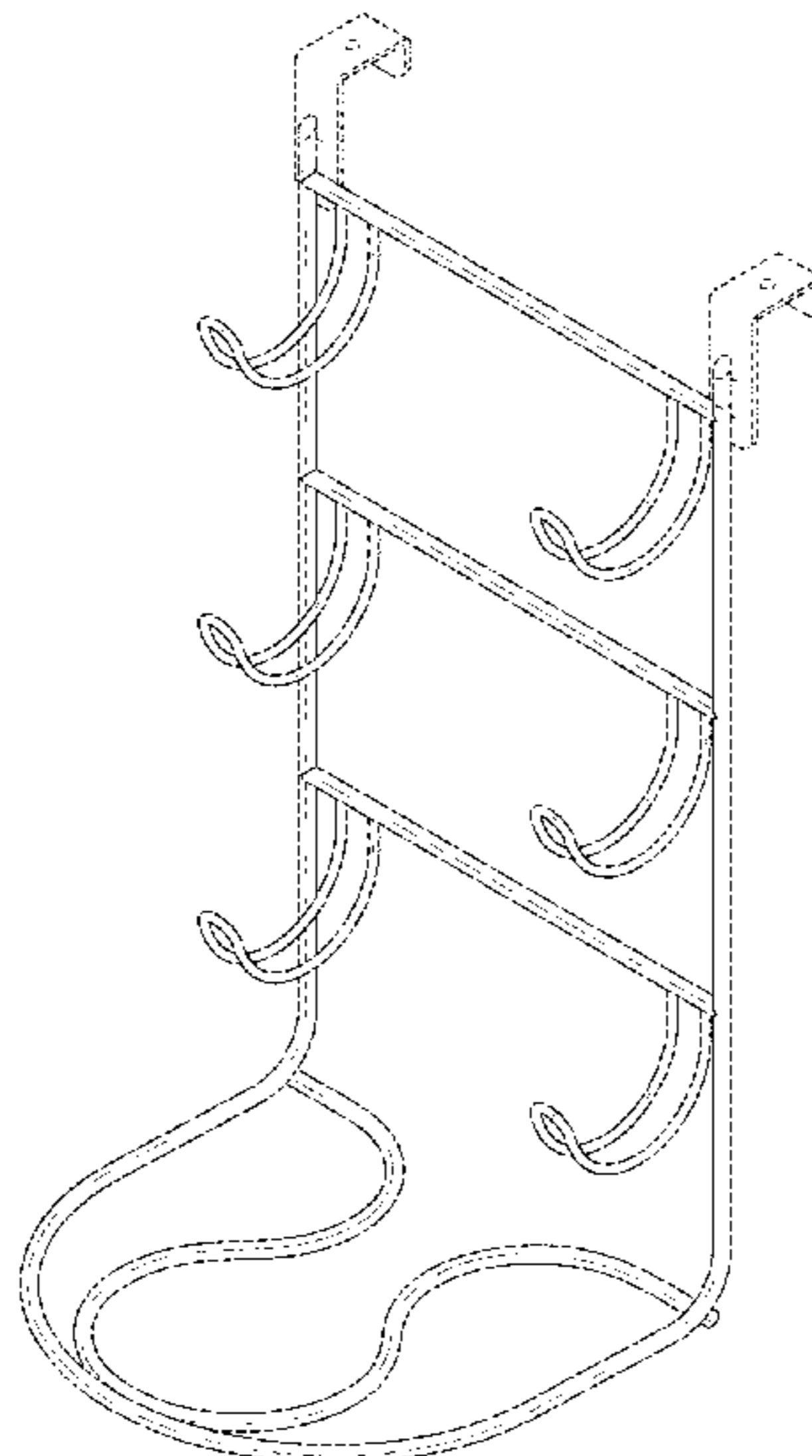
(57) **CLAIM**

What is claimed is the ornamental design for a styling rack, as shown and described.

DESCRIPTION

FIG. 1 is a perspective view of a styling rack showing a new design;
FIG. 2 is a top view of the styling rack of FIG. 1;
FIG. 3 is a front view of the styling rack of FIG. 1;
FIG. 4 is a side view of the styling rack of FIG. 1;
FIG. 5 is a bottom view of the styling rack of FIG. 1; and,
FIG. 6 is a rear view of the styling rack of FIG. 1.
The broken lines illustrate portions of the styling rack and form no part of the claimed design.

1 Claim, 2 Drawing Sheets



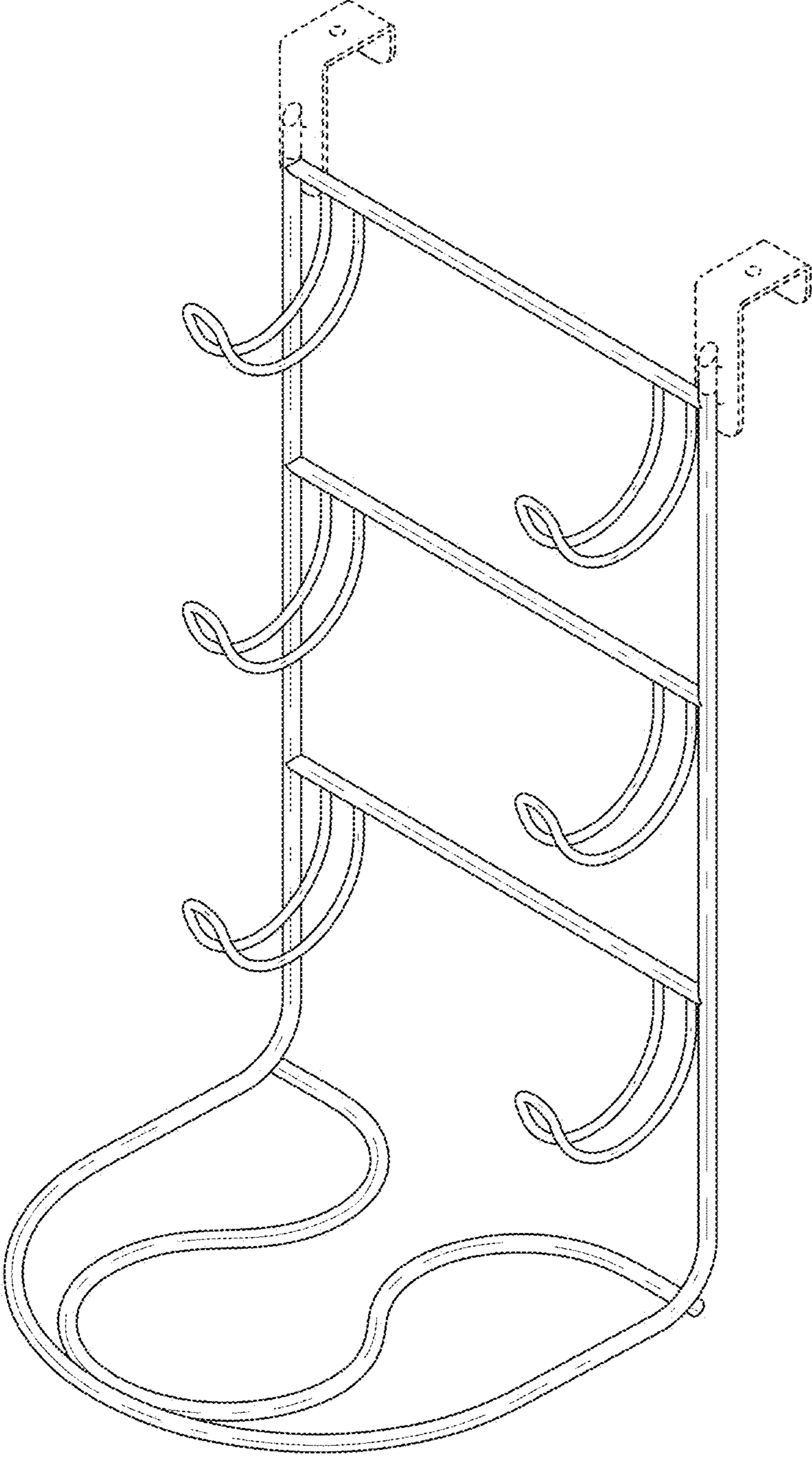


FIG. 1

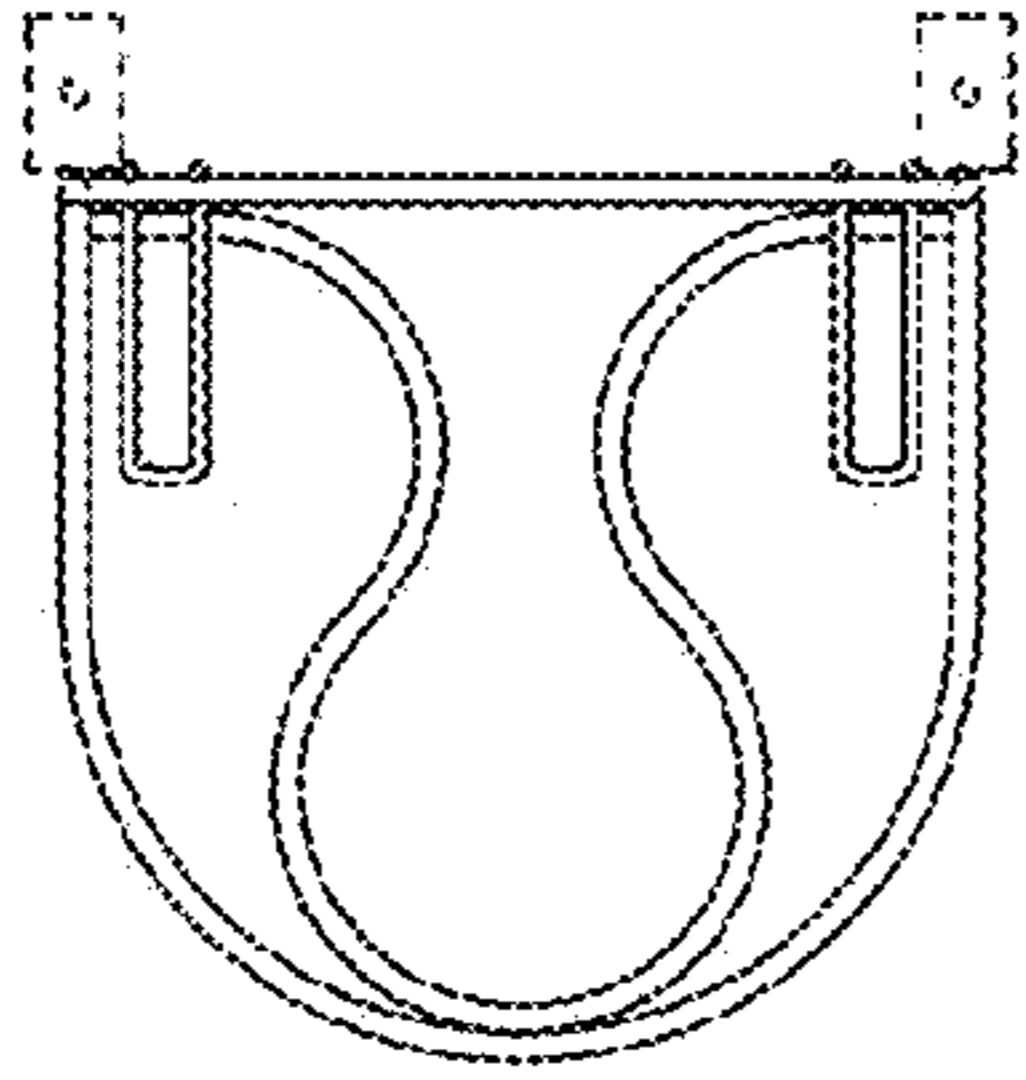


FIG. 2

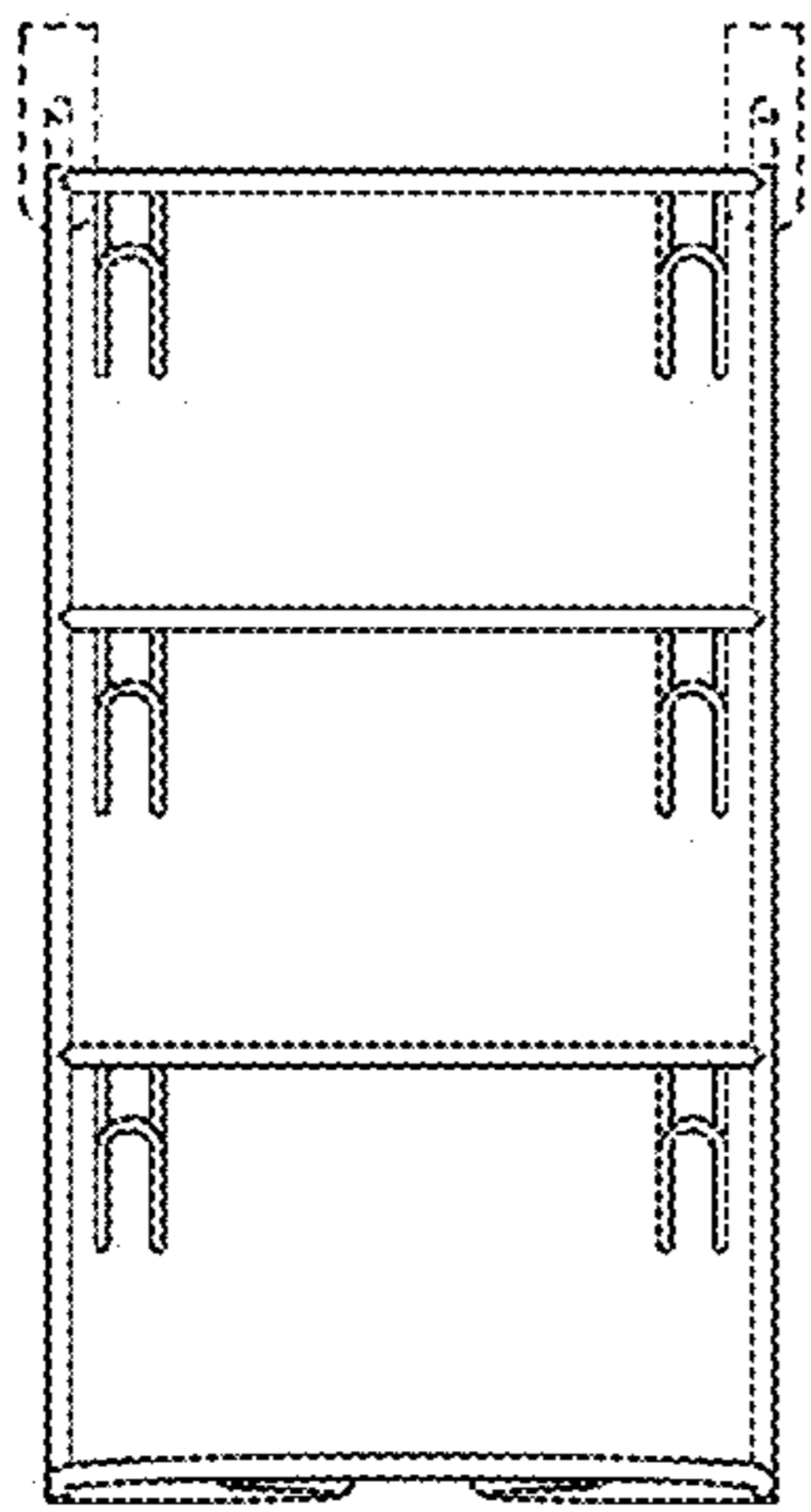


FIG. 3

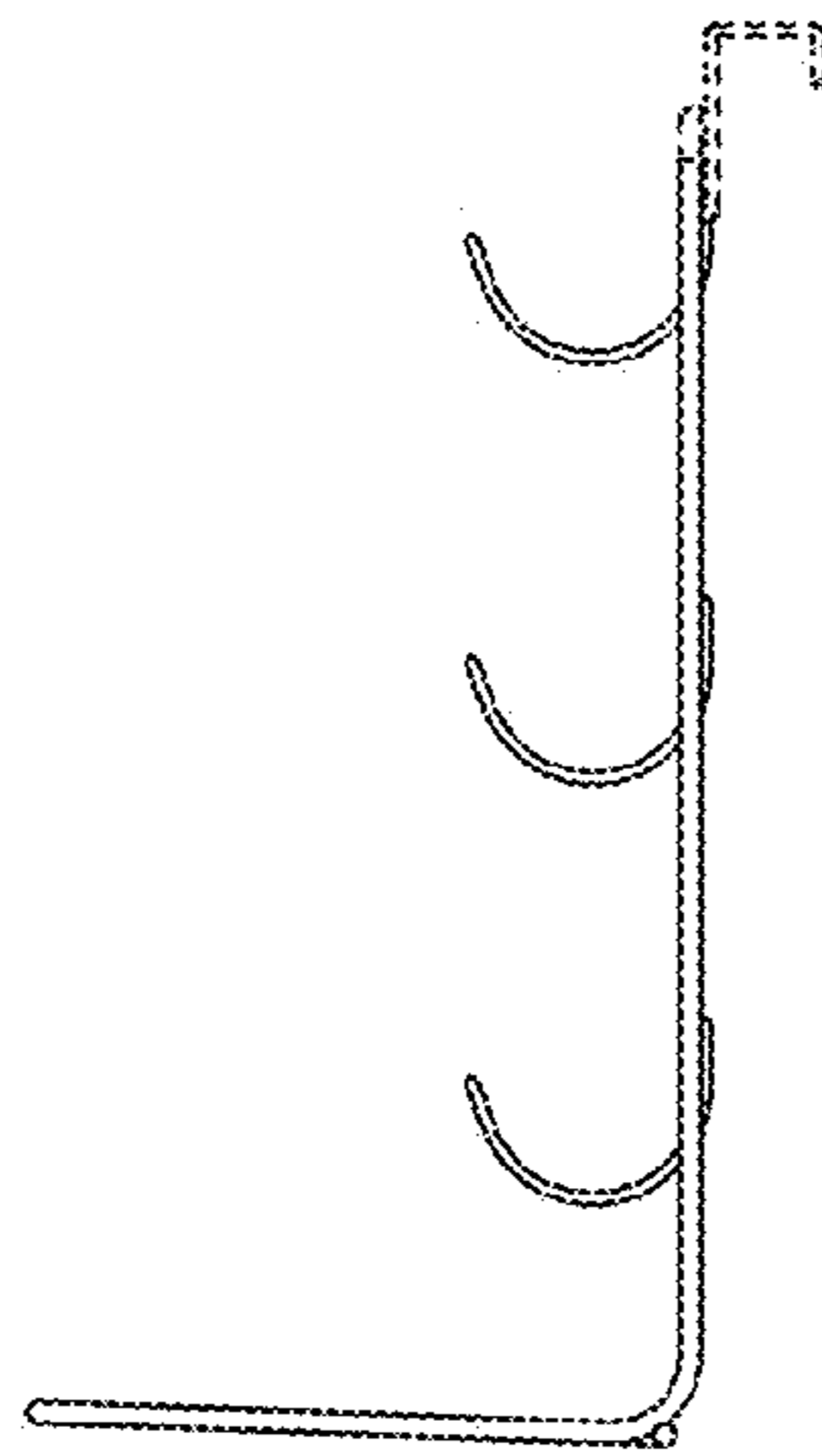


FIG. 4

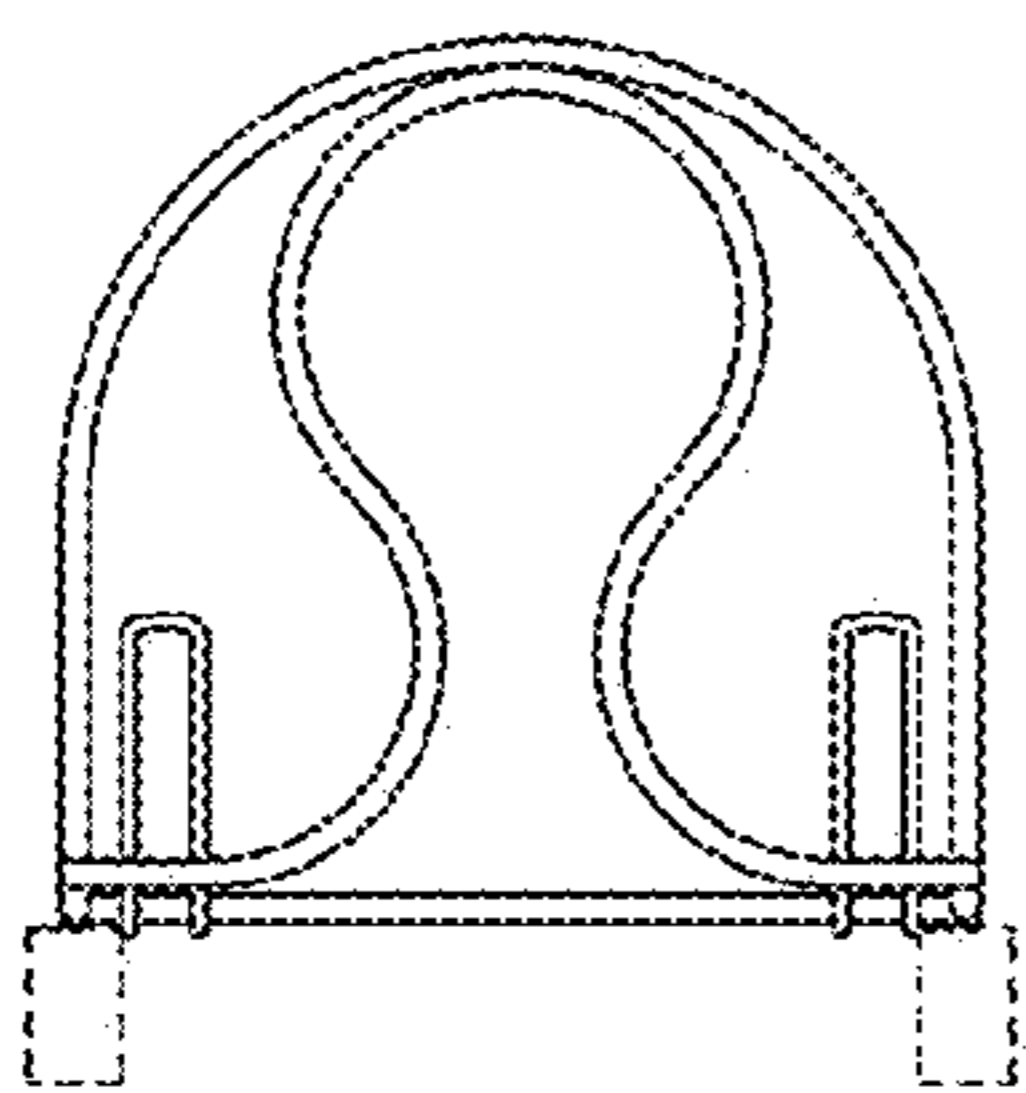


FIG. 5

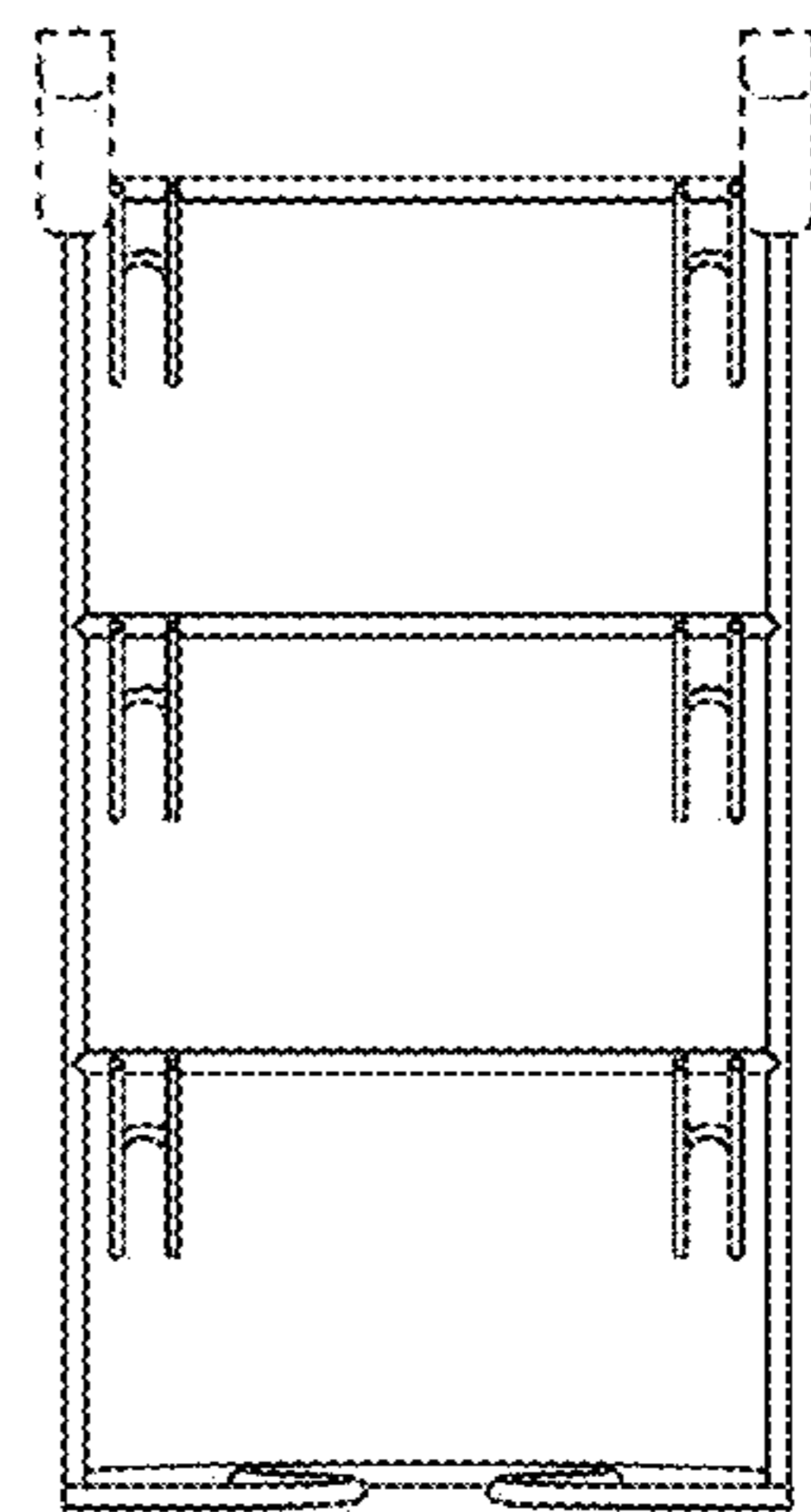


FIG. 6