



US00D764707S

(12) **United States Design Patent**
Goodman et al.

(10) **Patent No.:** **US D764,707 S**
(45) **Date of Patent:** **** Aug. 23, 2016**

(54) **ADJUSTABLE STYLING ORGANIZER**

(71) Applicant: **Spectrum Diversified Designs, Inc.**,
Streetsboro, OH (US)

(72) Inventors: **Sheldon H. Goodman**, Solon, OH
(US); **Phaysouk Xayoiphonh**, Akron,
OH (US)

(73) Assignee: **Spectrum Diversified Designs, LLC**,
Streetsboro, OH (US)

(**) Term: **14 Years**

(21) Appl. No.: **29/494,622**

(22) Filed: **Jun. 23, 2014**

(51) **LOC (10) Cl.** **28-03**

(52) **U.S. Cl.**
USPC **D28/73**; D28/38; D3/306

(58) **Field of Classification Search**
USPC D28/73, 77, 38; D6/567, 566, 528, 531,
D6/527, 524, 525, 526, 537, 553, 513,
D6/562; D7/600.1-600.4, 704; D8/373,
D8/366, 352, 356, 376, 380; 248/317;
D3/306, 304

CPC A45D 44/04; A45D 20/00; A45D 20/12;
A45D 2020/126; A45D 2020/128; A45D
44/02; A45D 2001/002; A45D 20/16; A47F
5/00; A47F 5/01; A47F 5/13

See application file for complete search history.

(56) **References Cited**

U.S. PATENT DOCUMENTS

D408,185 S	*	4/1999	Hofman	D6/562
D417,991 S	*	12/1999	Hofman et al.	D6/525
D427,469 S	*	7/2000	Thurston-Chartraw		
			et al.	D6/525
D620,293 S	*	7/2010	Guindi	D6/562
D628,385 S	*	12/2010	Klein et al.	D6/513
D653,067 S	*	1/2012	Cittadino et al.	D6/562
D688,064 S	*	8/2013	Couture	D6/562
D699,974 S	*	2/2014	Snider	D6/562
D699,975 S	*	2/2014	Snider	D6/562

9,107,496 B2	*	8/2015	Lindo et al.		
2008/0185357 A1	*	8/2008	Chen	211/187
2013/0277517 A1	*	10/2013	Wright	248/231.81

OTHER PUBLICATIONS

Wayfair.com, "hair dryer" tagged products under all bathroom accessories. Accessed Oct. 6, 2015. (<http://www.wayfair.com/filters/All-Bathroom-Accessories-I363-c1773103-q~hair+dryer.html>).

Google image seach. "under cabinet hair dryer holder". Date restricted to show results prior to Jan. 23, 2013. Accessed Oct. 7, 2015.

* cited by examiner

Primary Examiner — Jennifer Rivard

Assistant Examiner — April Rivas

(74) *Attorney, Agent, or Firm* — Benesch, Friedlander, Coplan & Aronoff LLP

(57) **CLAIM**

What is claimed is the ornamental design for an adjustable styling organizer, as shown and described.

DESCRIPTION

FIG. 1 is a perspective view of an adjustable styling organizer showing a new design;

FIG. 2 is a front view of the adjustable styling organizer of FIG. 1;

FIG. 3 is a side view of the adjustable styling organizer of FIG. 1;

FIG. 4 is a rear view of the adjustable styling organizer of FIG. 1;

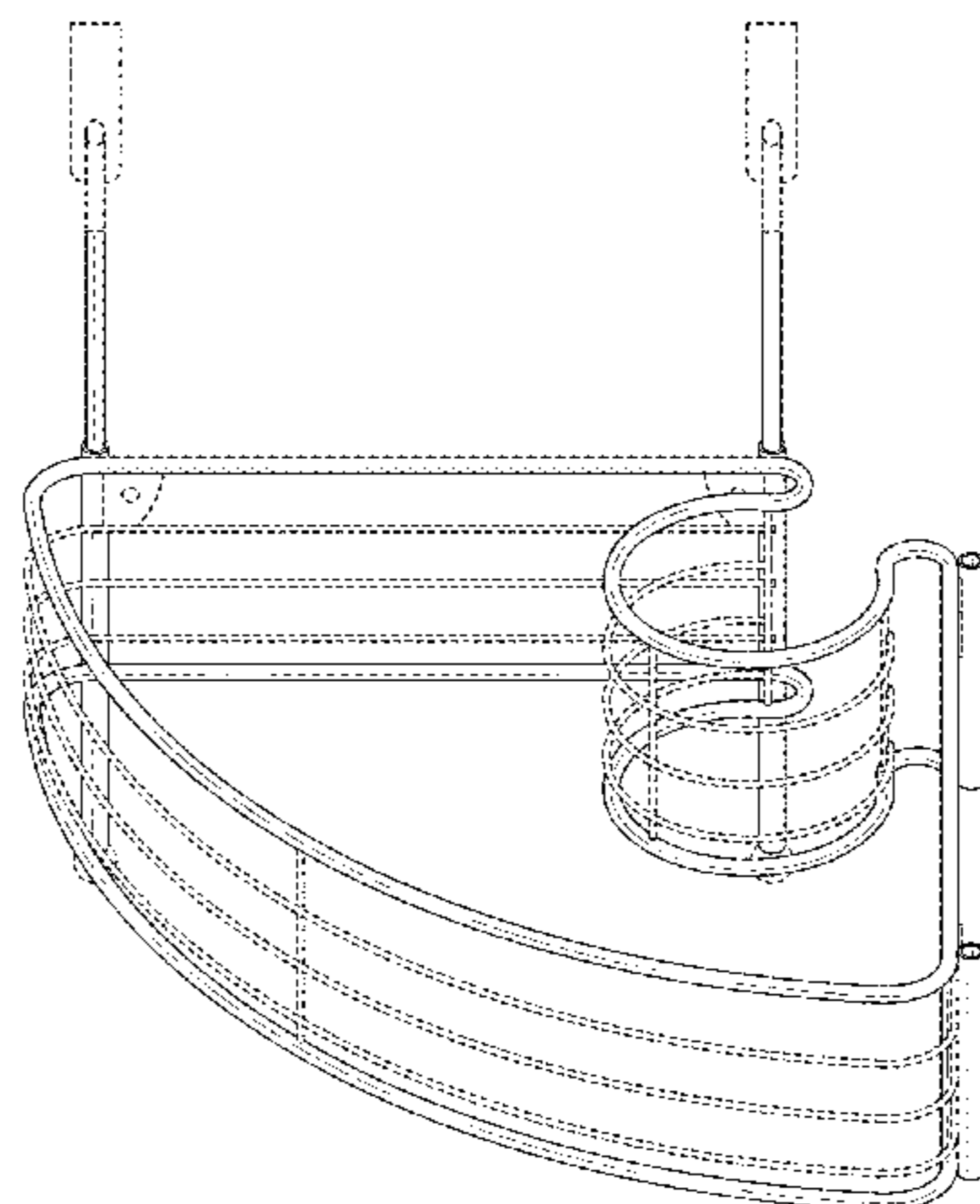
FIG. 5 is a top view of the adjustable styling organizer of FIG. 1;

FIG. 6 is a detail view of the adjustable styling organizer taken of FIG. 5; and,

FIG. 7 is a bottom view of the adjustable styling organizer of FIG. 1.

The broken lines illustrate portions of the adjustable styling organizer and form no part of the claimed design.

1 Claim, 4 Drawing Sheets



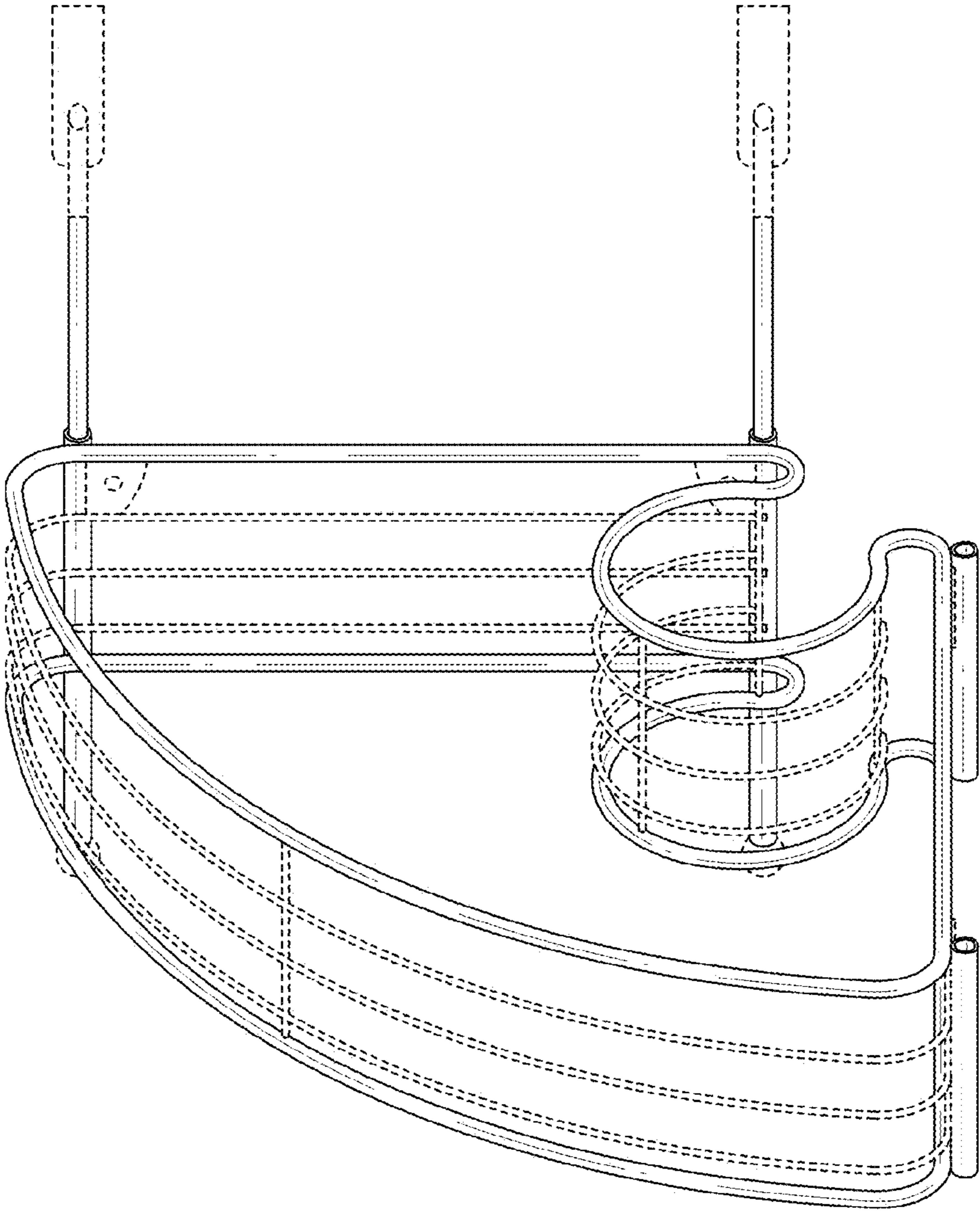


FIG. 1

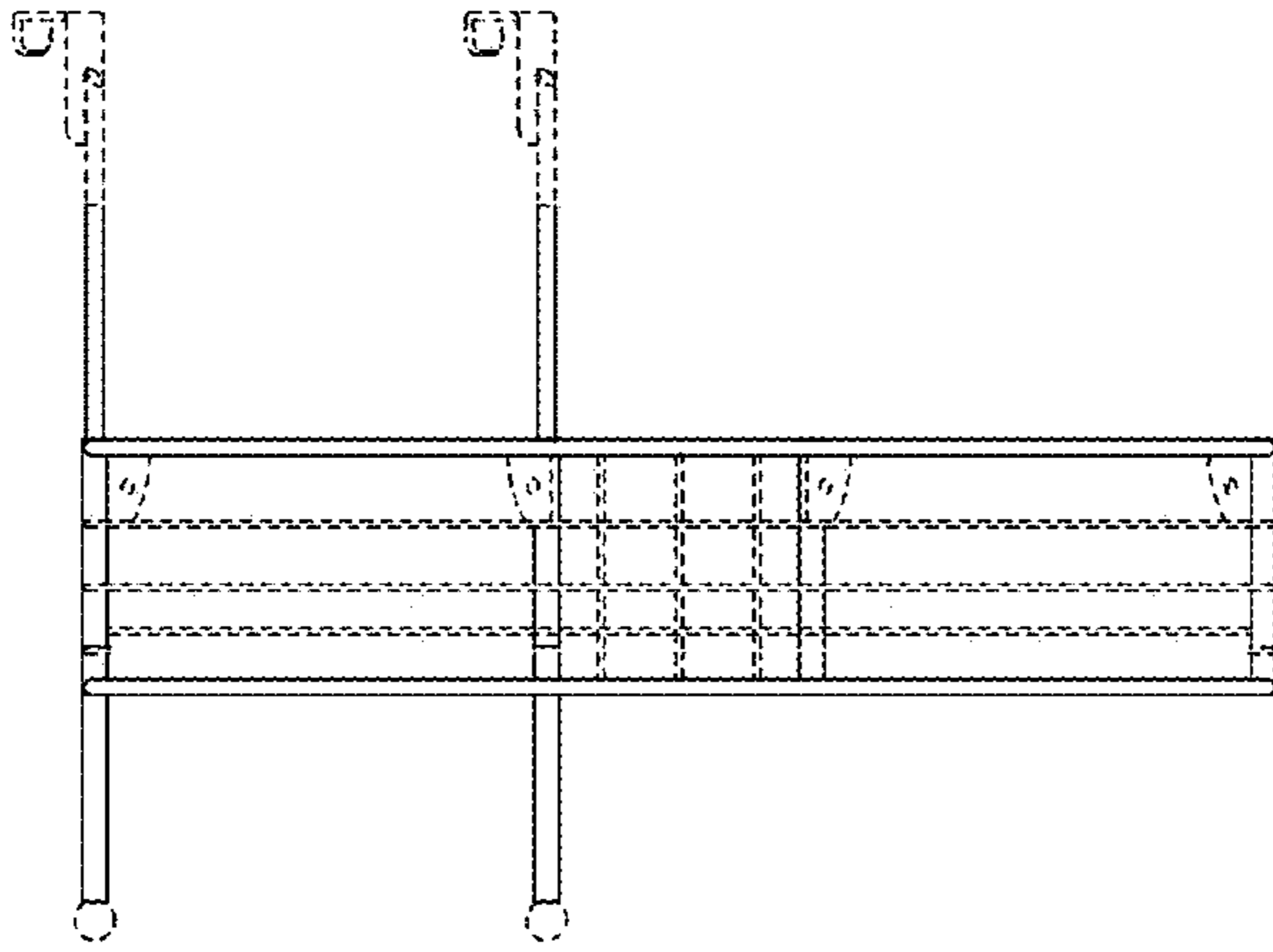


FIG. 2

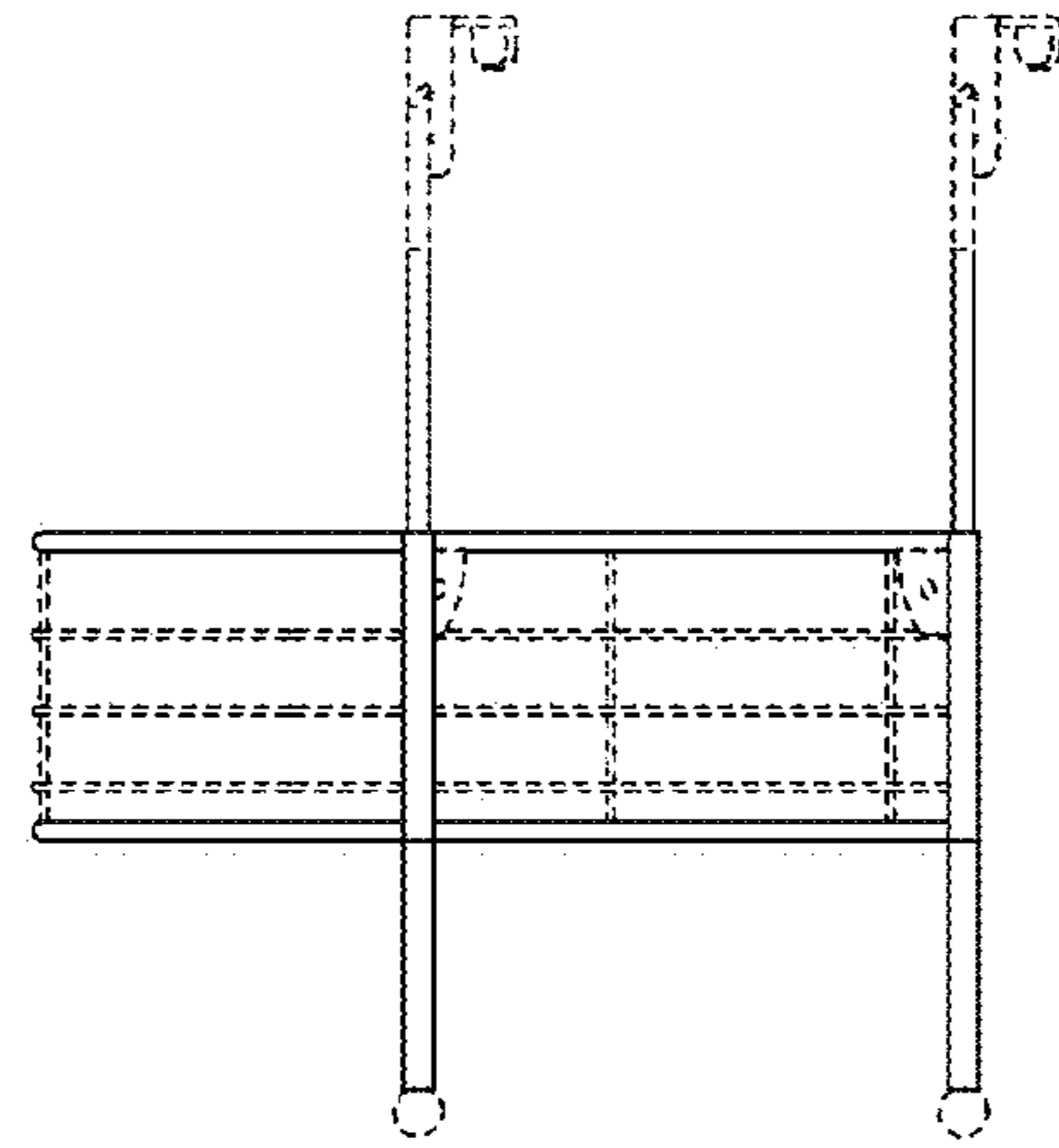


FIG. 3

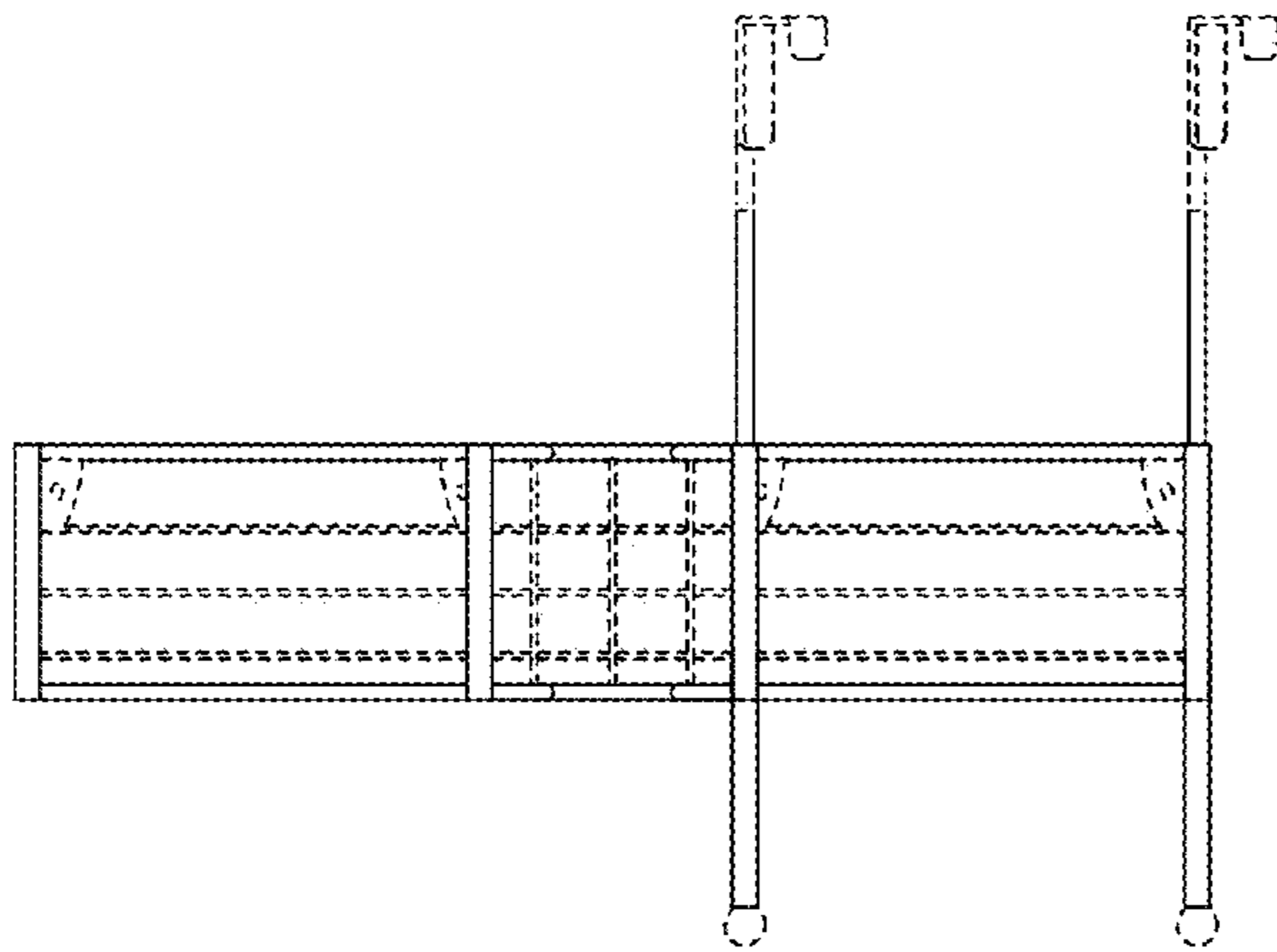


FIG. 4

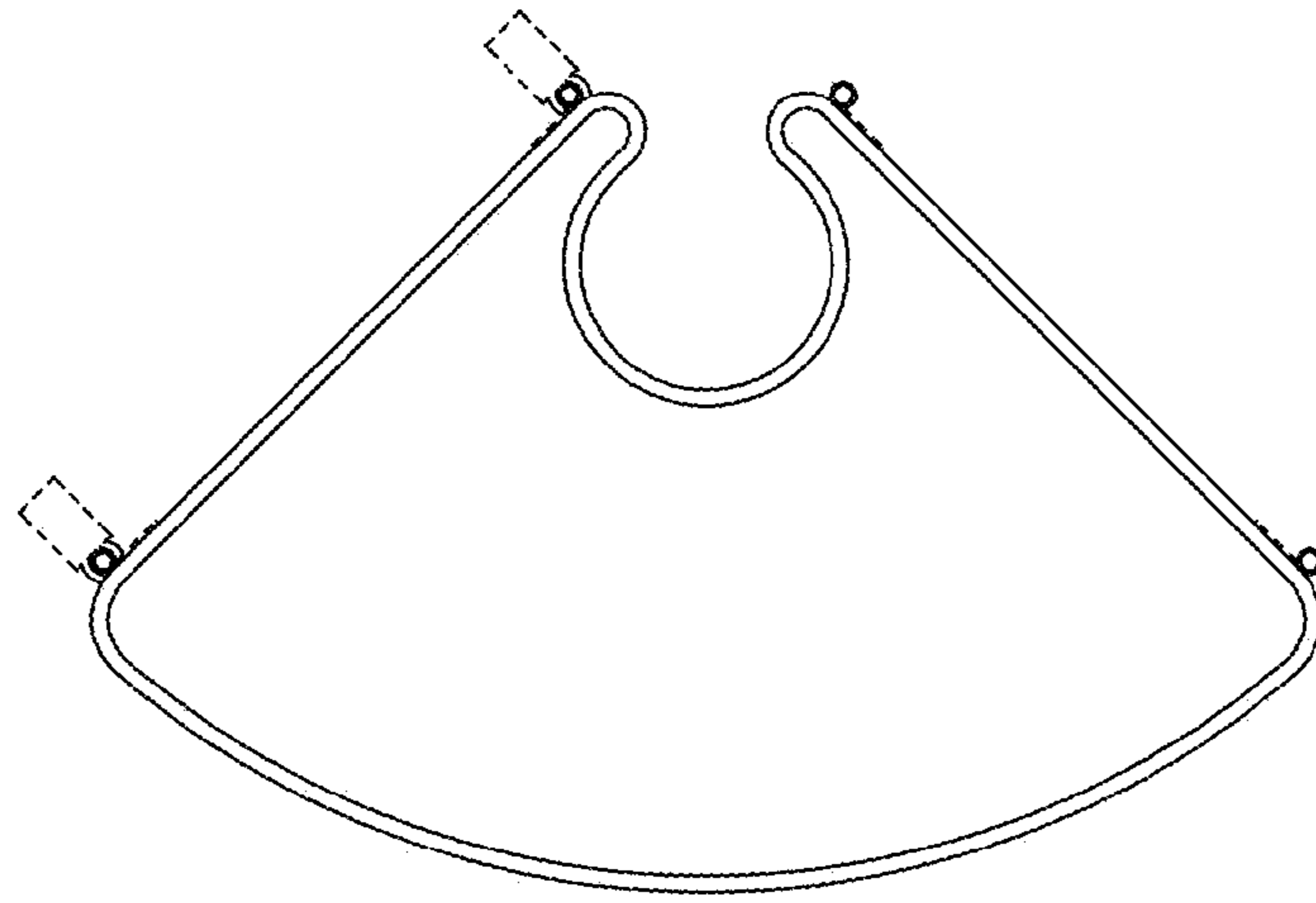


FIG. 5

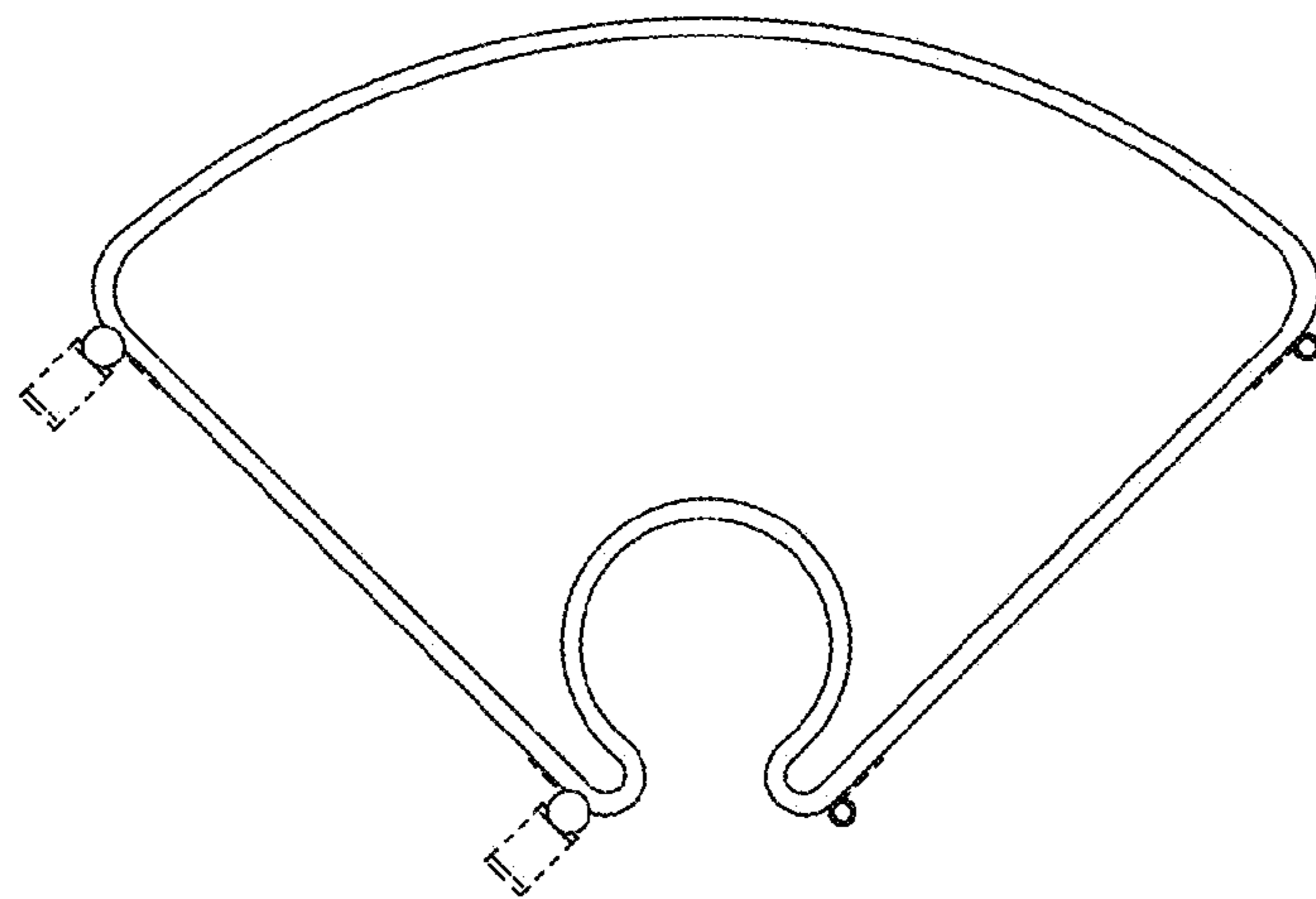


FIG. 6

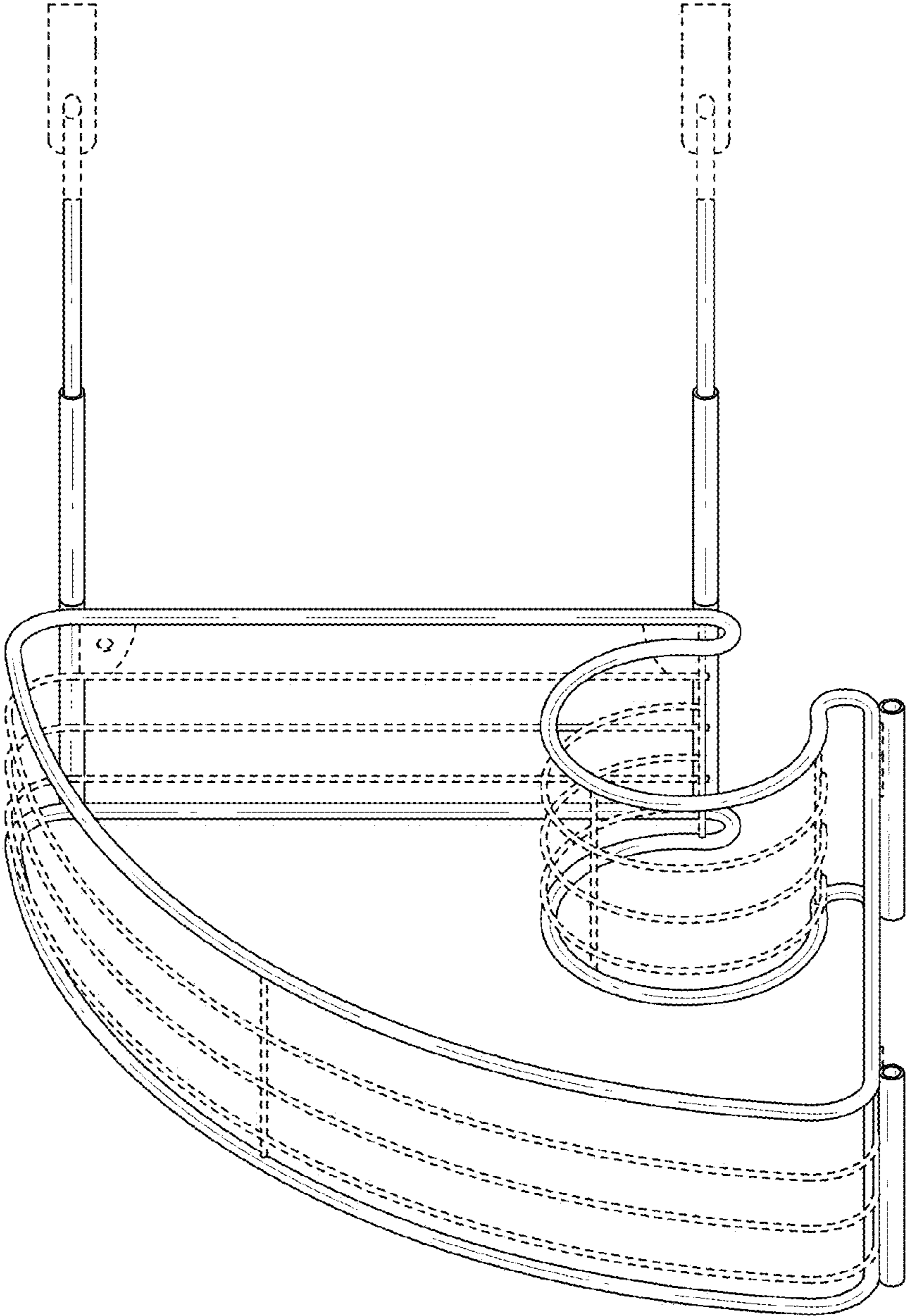


FIG. 7