

US00D764705S

(12) **United States Design Patent**  
**Narvaez**

(10) **Patent No.:** **US D764,705 S**

(45) **Date of Patent:** **\*\* Aug. 23, 2016**

(54) **EYELASH CURLER**

(71) Applicant: **Guillermo Narvaez**, Los Angeles, CA  
(US)

(72) Inventor: **Guillermo Narvaez**, Los Angeles, CA  
(US)

(\*\*) Term: **15 Years**

(21) Appl. No.: **29/552,382**

(22) Filed: **Jan. 21, 2016**

(51) **LOC (10) Cl.** ..... **28-03**

(52) **U.S. Cl.**  
USPC ..... **D28/36; D7/653**

(58) **Field of Classification Search**  
USPC ..... D28/36; D7/653, 662, 663, 648  
CPC ..... A47G 21/04; A45D 2/48  
See application file for complete search history.

(56) **References Cited**

**U.S. PATENT DOCUMENTS**

1,625,003	A *	4/1927	Walker	.....	A47G 21/02 30/324
2,338,980	A *	1/1944	Stratton	.....	A47G 21/04 30/324
D158,818	S *	5/1950	Titensky	.....	D7/648
D161,359	S *	12/1950	Milne	.....	30/324
D210,180	S *	2/1968	Soloman	.....	D28/36
D252,890	S *	9/1979	Cavalieri	.....	D28/36
D271,530	S *	11/1983	Watt	.....	D11/2

D395,733	S *	6/1998	Ishida	.....	D28/36
5,890,499	A	4/1999	Fuentes et al.		
D437,660	S *	2/2001	Kim	.....	D28/36
D486,265	S *	2/2004	Olsen	.....	D28/38
D507,203	S *	7/2005	Claude	.....	D11/99
D559,449	S *	1/2008	Lin	.....	D28/36
D609,403	S *	2/2010	Cho	.....	D28/36
D609,858	S *	2/2010	Ezell	.....	D28/36
9,027,572	B2	5/2015	Urrechaga		
2004/0060572	A1 *	4/2004	Olsen	.....	A45D 2/48 132/217
2007/0235055	A1	10/2007	Narvaez		

\* cited by examiner

*Primary Examiner* — Jennifer Rivard

(74) *Attorney, Agent, or Firm* — Robert A. Seldon

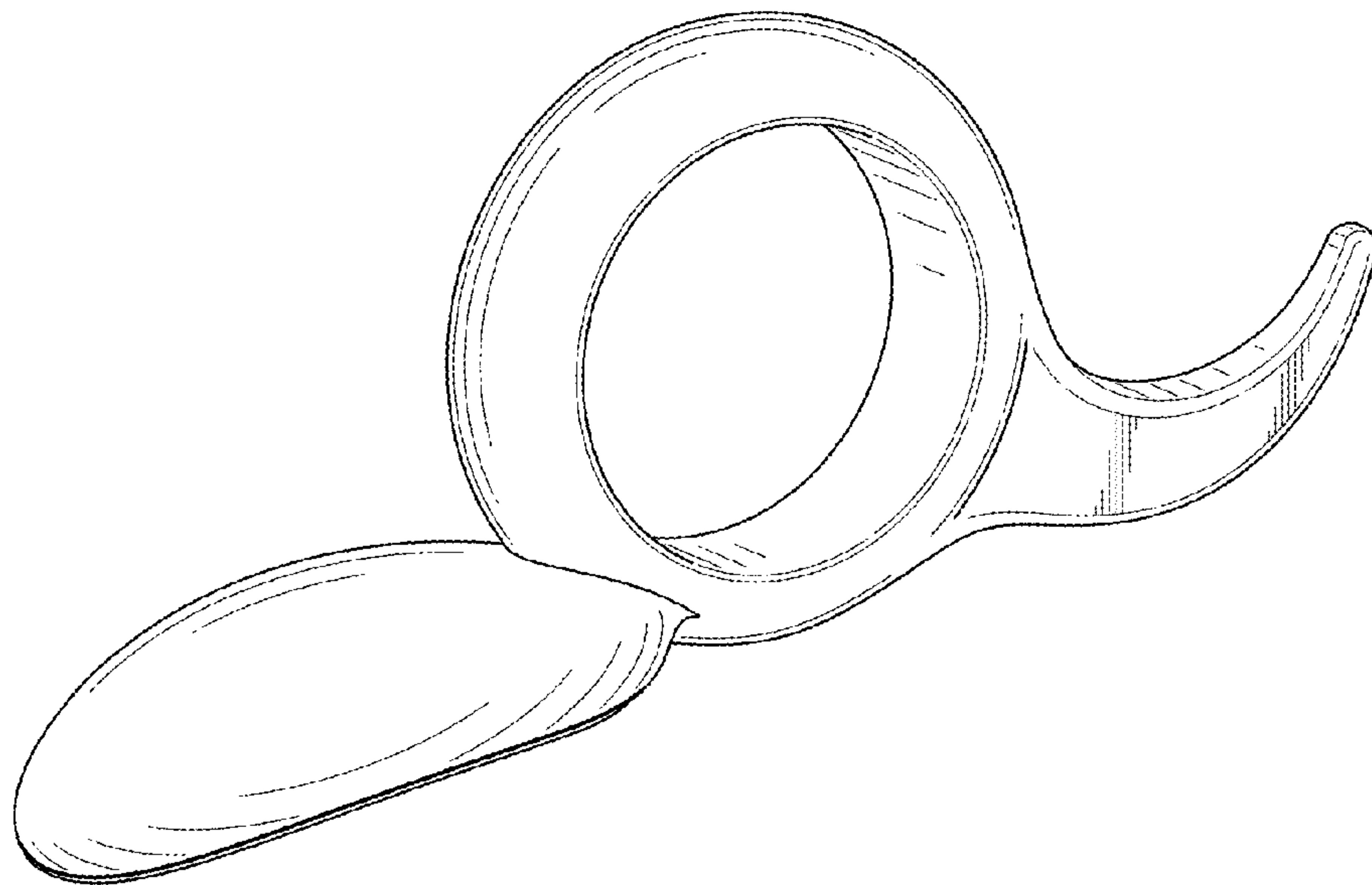
(57) **CLAIM**

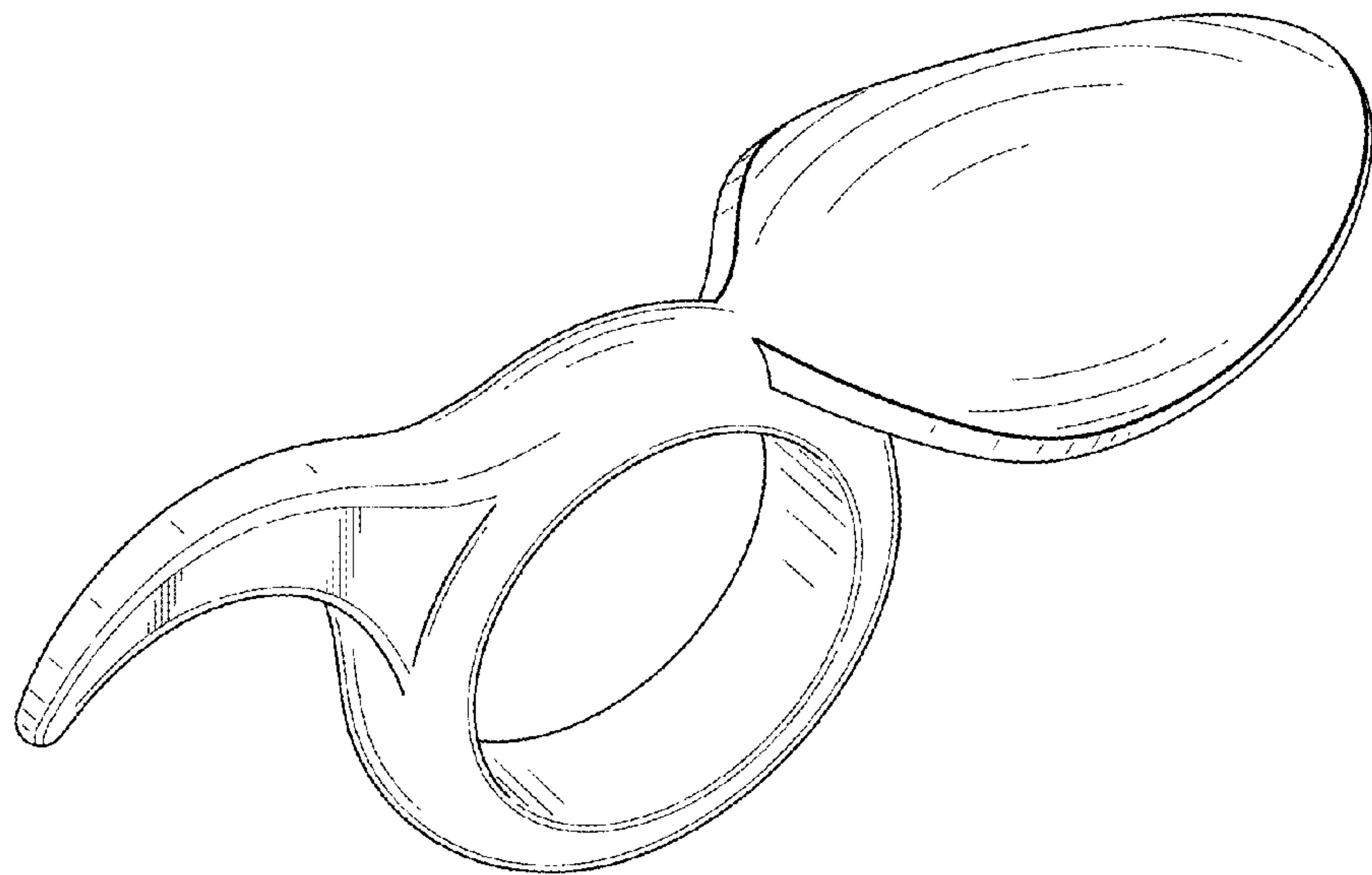
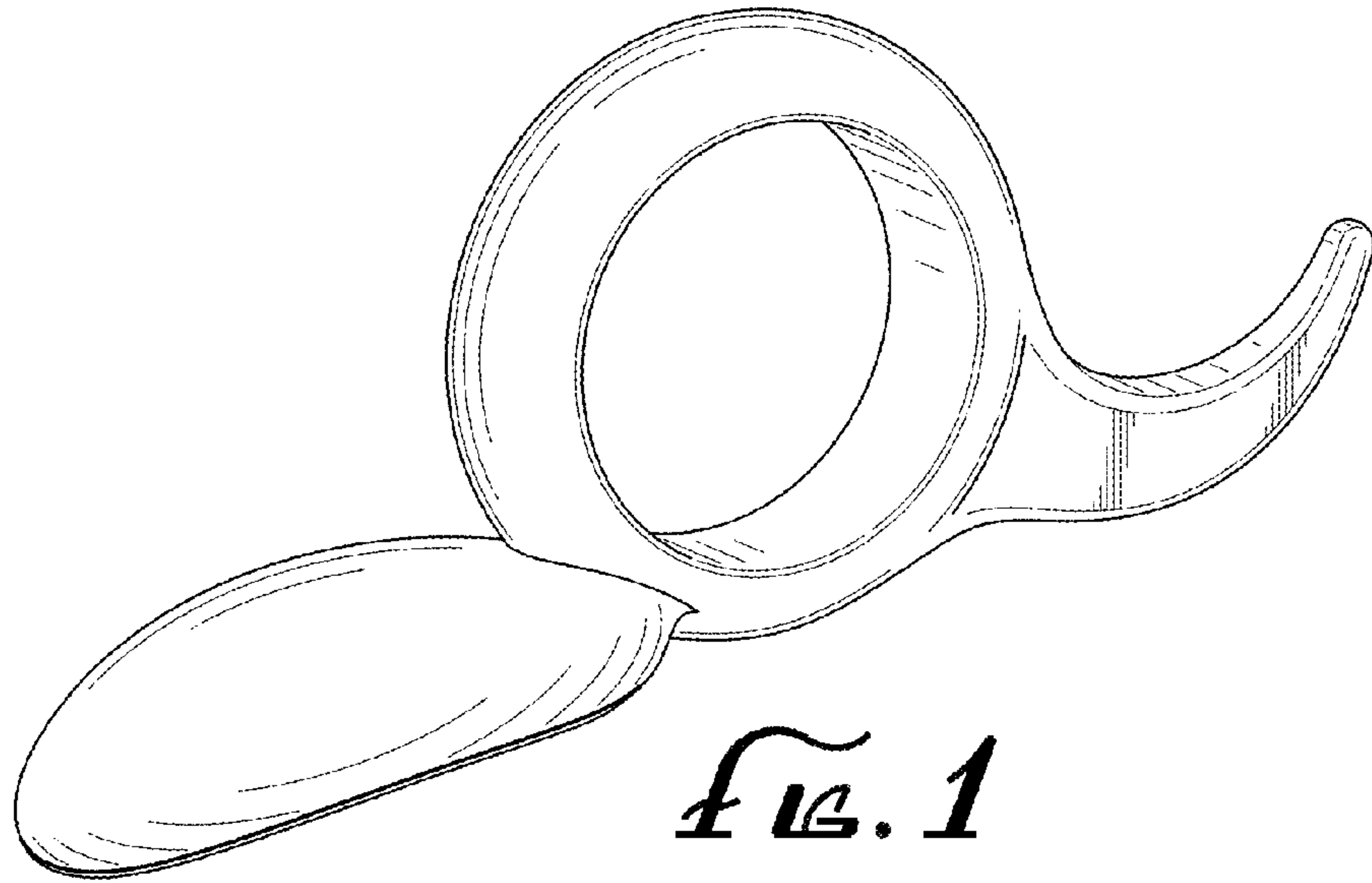
The ornamental design for an eyelash curler, as shown and described.

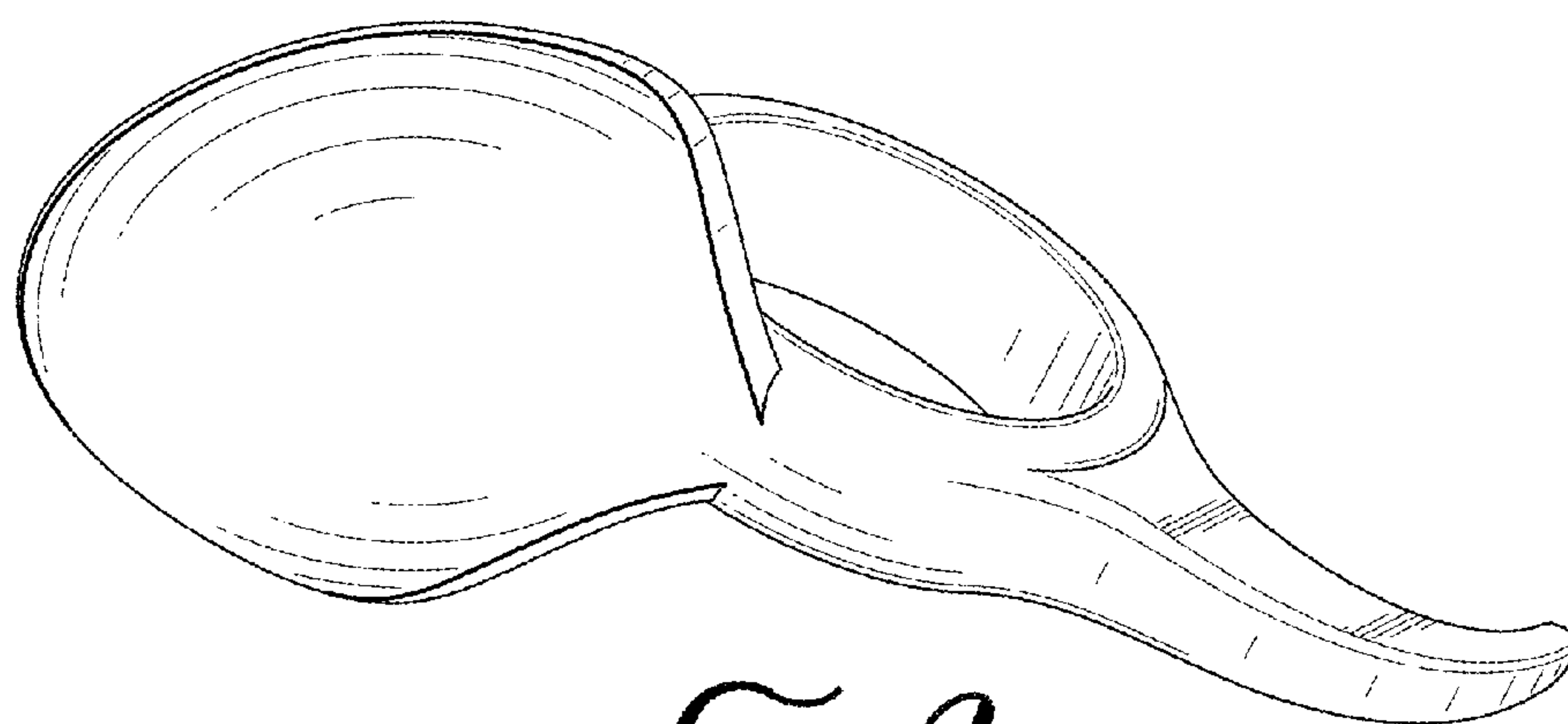
**DESCRIPTION**

FIG. 1 is a bottom perspective view of the eyelash curler; FIG. 2 is a top perspective view thereof; FIG. 3 is an additional bottom perspective view thereof; FIG. 4 is an additional top perspective view thereof; FIG. 5 is a front elevation view thereof; FIG. 6 is a rear elevation view thereof; FIG. 7 is a right side elevation view thereof, the left side view being a mirror image thereof; FIG. 8 is a bottom plan view thereof; and, FIG. 9 is a top plan view thereof.

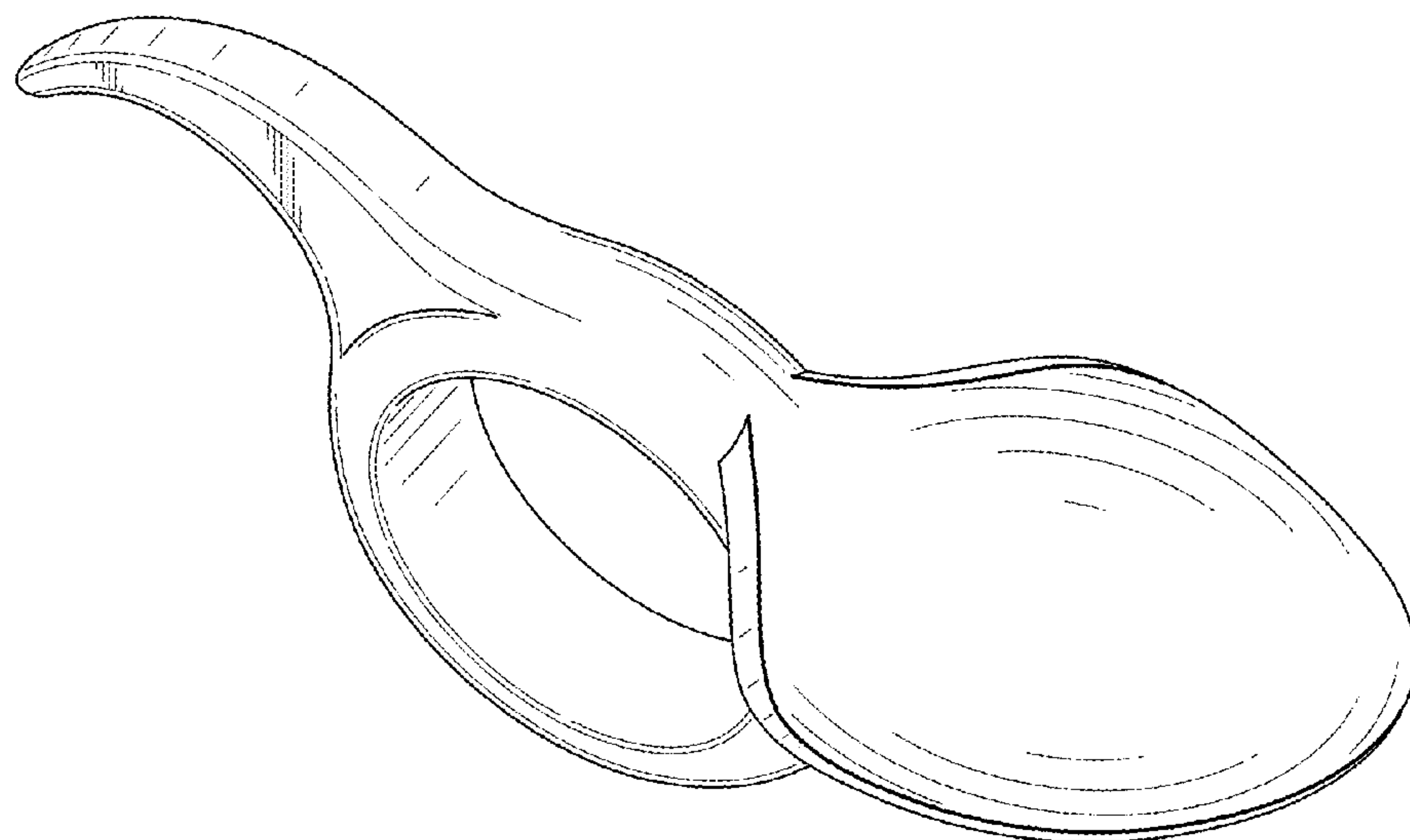
**1 Claim, 4 Drawing Sheets**



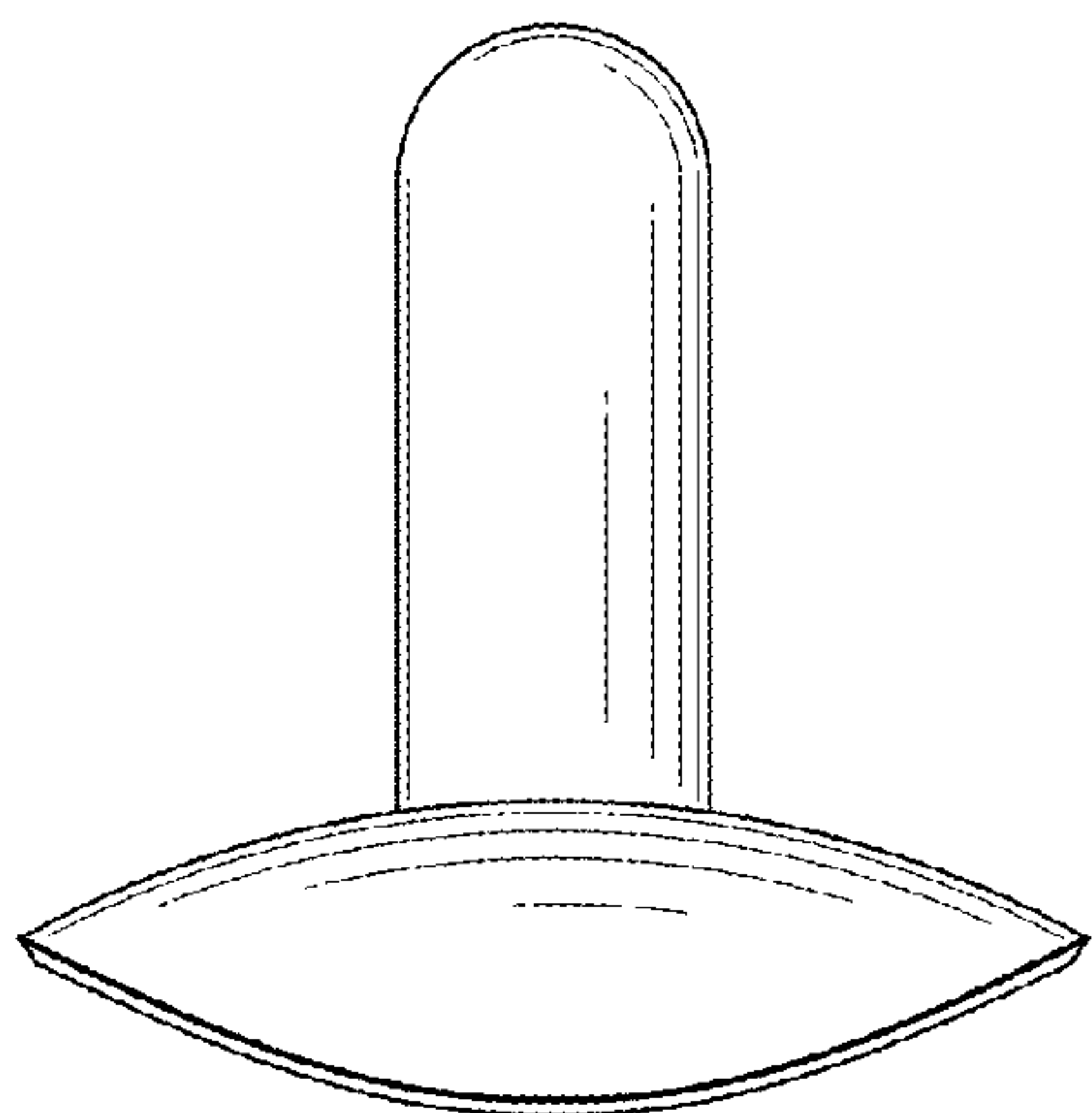




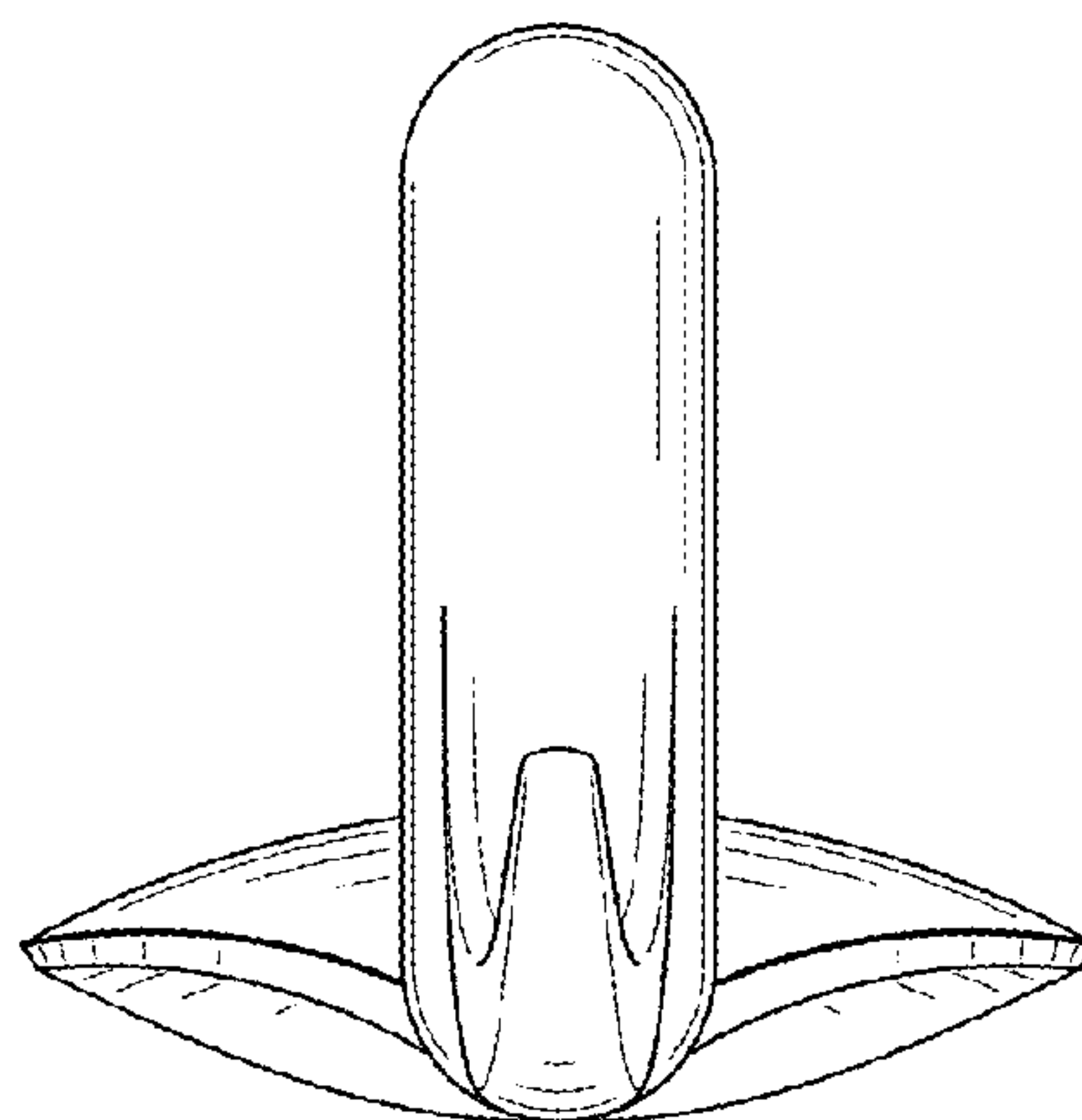
*FIG. 3*



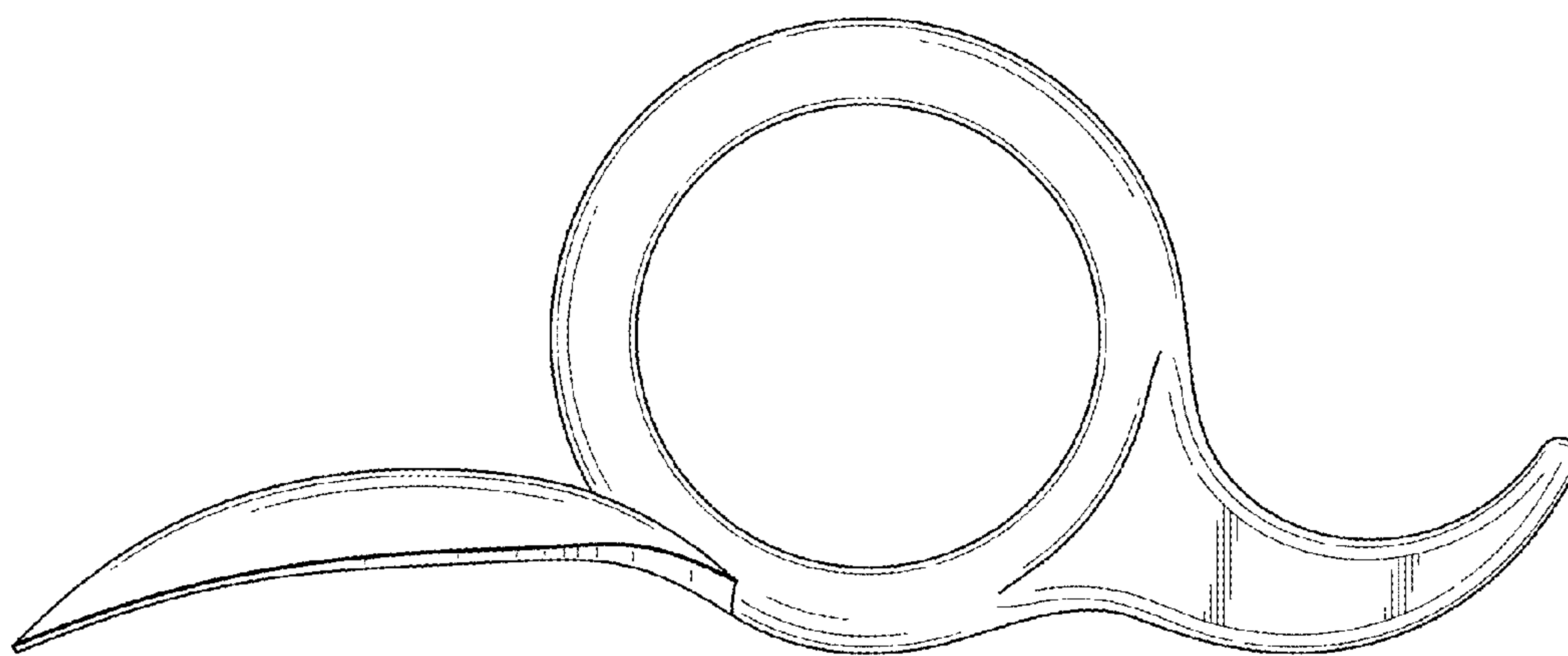
*FIG. 4*



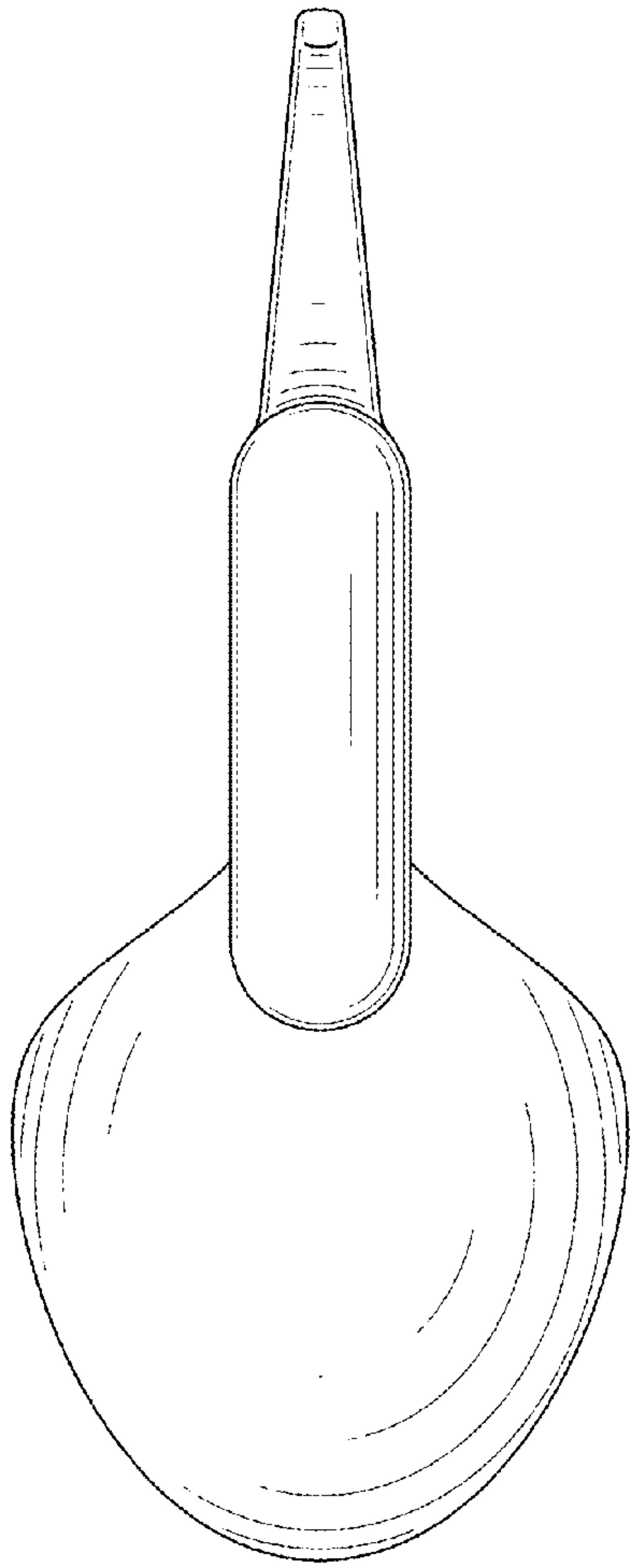
*FIG. 5*



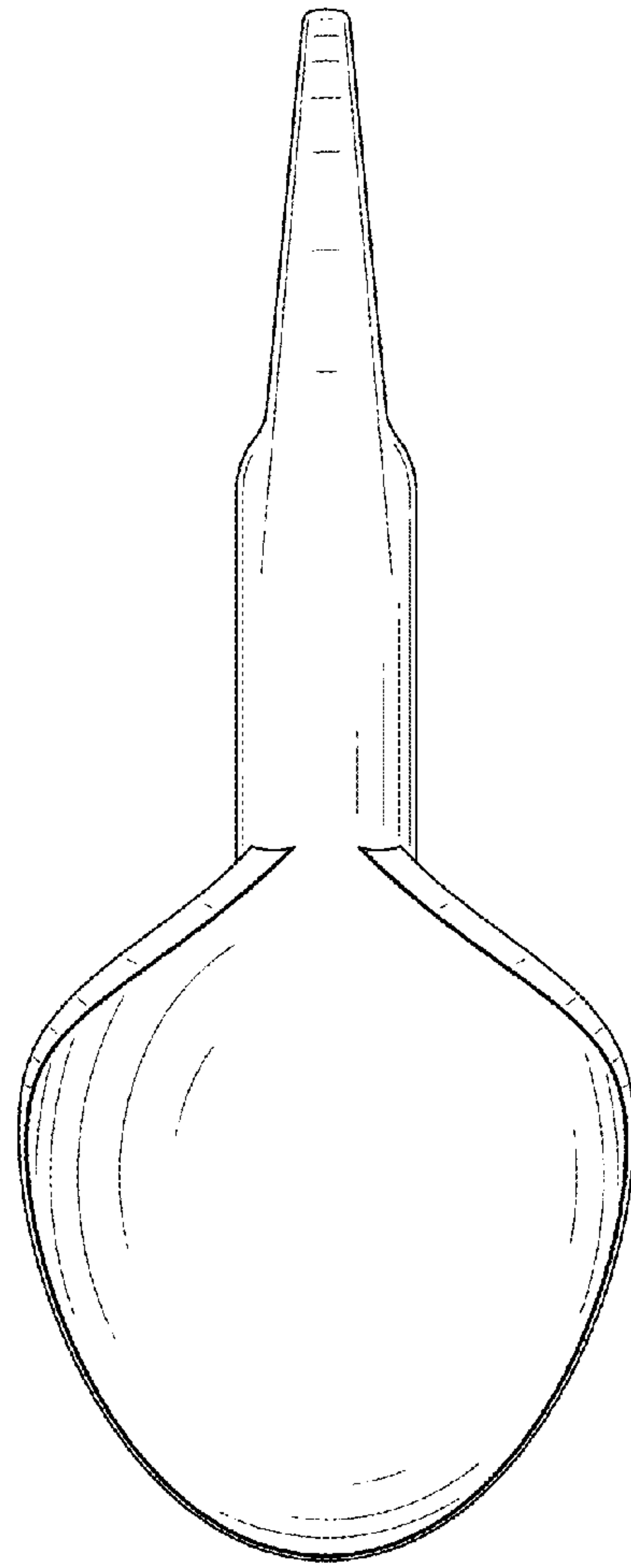
*FIG. 6*



*FIG. 7*



*FIG. 8*



*FIG. 9*