



US00D764704S

(12) **United States Design Patent**
Melchiorre et al.

(10) **Patent No.:** **US D764,704 S**
(45) **Date of Patent:** **** Aug. 23, 2016**

- (54) **LASH APPLICATION DEVICE**
- (71) Applicants: **Michele Melchiorre**, Staten Island, NY (US); **Paige Conner**, Cumming, GA (US)
- (72) Inventors: **Michele Melchiorre**, Staten Island, NY (US); **Paige Conner**, Cumming, GA (US)

- 2014/0069450 A1* 3/2014 Le A41G 5/02 132/201
- 2014/0083447 A1 3/2014 Rabe et al.
- 2015/0075549 A1* 3/2015 Lee A41G 5/02 132/53
- 2015/0201692 A1* 7/2015 Hansen A41G 5/02 132/201
- 2015/0216246 A1* 8/2015 Ahn A41G 5/02 132/53

(**) Term: **14 Years**
(21) Appl. No.: **29/506,093**

- (22) Filed: **Oct. 13, 2014**
- (51) **LOC (10) Cl.** **28-03**
- (52) **U.S. Cl.**
USPC **D28/36**
- (58) **Field of Classification Search**
USPC D28/9, 10, 36, 7; 132/216
CPC A41G 5/02
See application file for complete search history.

FOREIGN PATENT DOCUMENTS

- WO WO2008104678 9/2008
- WO WO2009052359 4/2009
- WO WO2013012957 1/2013
- WO WO 2015031817 A1 * 3/2015 A41G 5/02

* cited by examiner

Primary Examiner — Jennifer Rivard
(74) *Attorney, Agent, or Firm* — Goldstein Law Offices, P.C.

(57) **CLAIM**
The ornamental design for a lash application device, as shown and described.

(56) **References Cited**

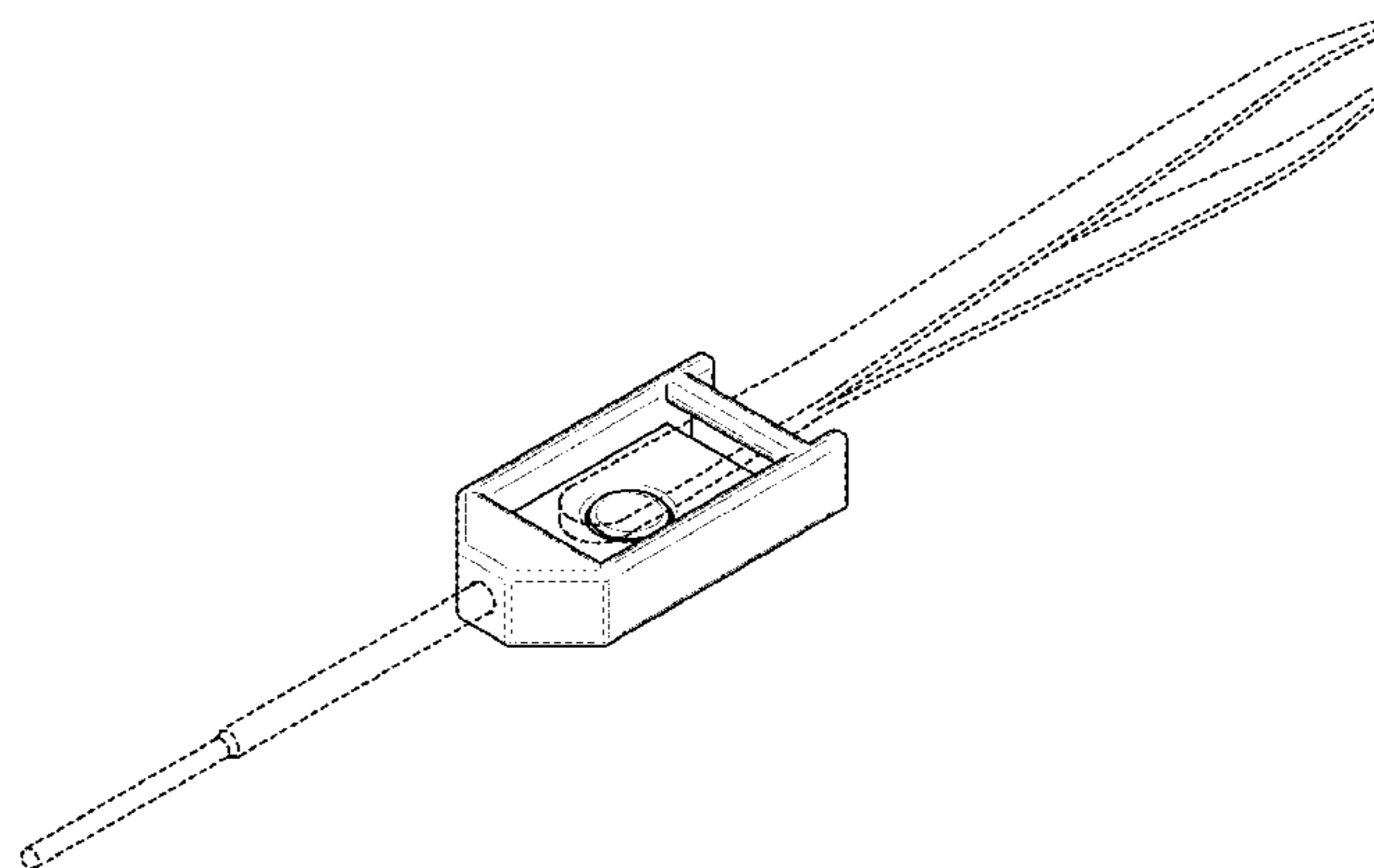
U.S. PATENT DOCUMENTS

- D213,239 S 1/1969 Flewellin
- 3,461,886 A * 8/1969 Bau A41G 5/02 132/216
- D218,870 S 9/1970 Aylott
- D219,854 S 2/1971 Howard
- 3,561,454 A * 2/1971 O'Connell A41G 5/02 132/216
- 3,670,742 A * 6/1972 Weaner A41G 5/02 132/216
- 3,703,180 A * 11/1972 Aylott A41G 5/02 132/216
- 7,938,128 B2 5/2011 Gueret
- 8,616,223 B2 12/2013 Rabe et al.
- 9,215,901 B1 * 12/2015 Schroeder A41G 5/02
- 2009/0223534 A1 * 9/2009 Green A45D 44/00 132/216
- 2013/0042884 A1 2/2013 Wilkinson
- 2013/0152960 A1 * 6/2013 Pays A41G 5/02 132/216
- 2013/0160787 A1 * 6/2013 Chae A41G 5/02 132/201

DESCRIPTION

FIG. 1 is a perspective view of the lash application device in full lines.
 FIG. 2 is a top plan view of the lash application device.
 FIG. 3 is a bottom plan view thereof.
 FIG. 4 is a right side elevational view thereof.
 FIG. 5 is a left side elevational view thereof.
 FIG. 6 is a front elevational view thereof.
 FIG. 7 is a rear elevational view thereof; and,
 FIG. 8 is a second perspective view of a lash application system comprising the lash application device in full lines with a cosmetic pick and a set of tweezers in broken lines representing environmental association matter being for illustrative purposes only and forming no part of the claimed invention.
 The broken lines along the front surface of the device illustrate a portion of the article and form no part of the claimed design.

1 Claim, 5 Drawing Sheets



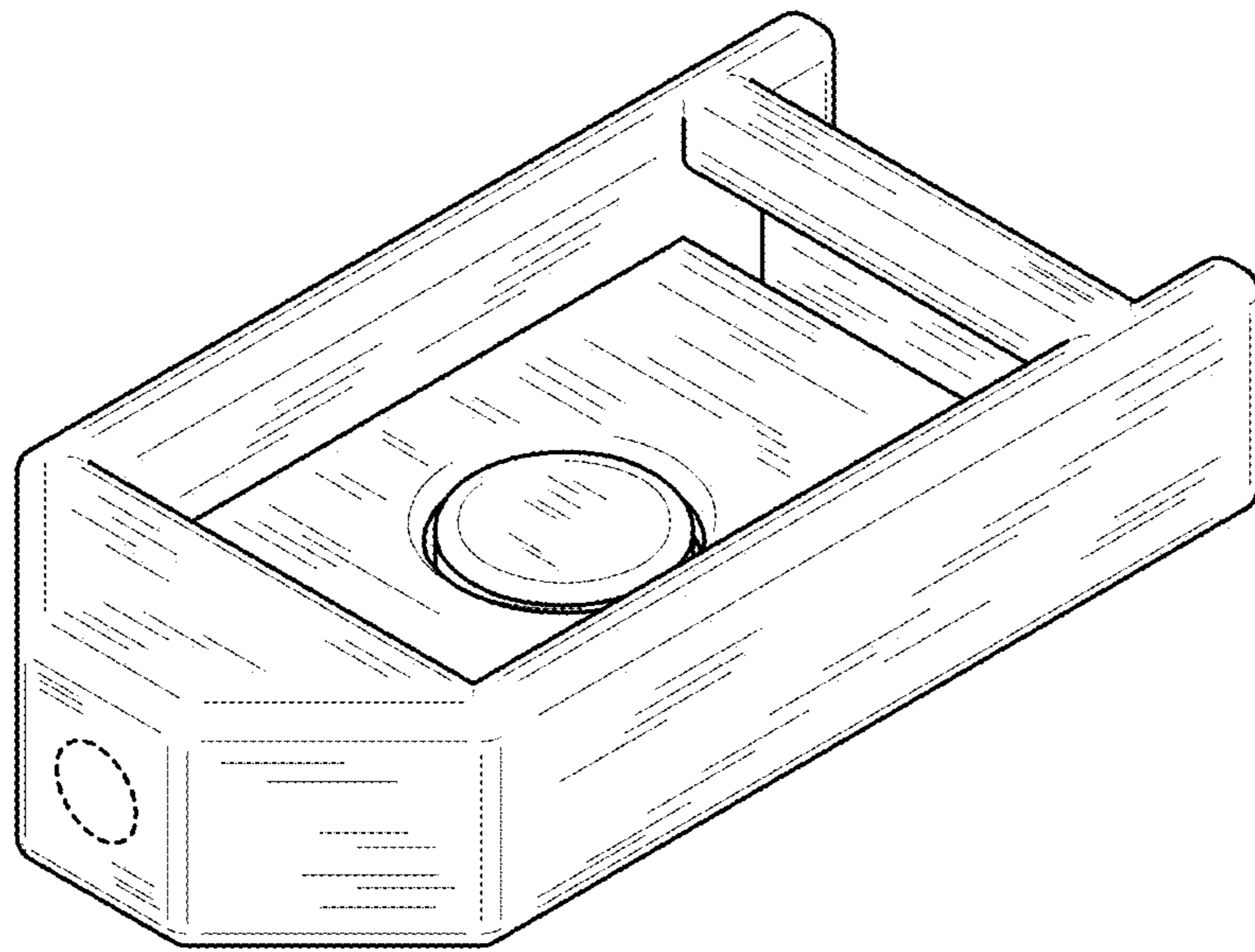


FIG. 1

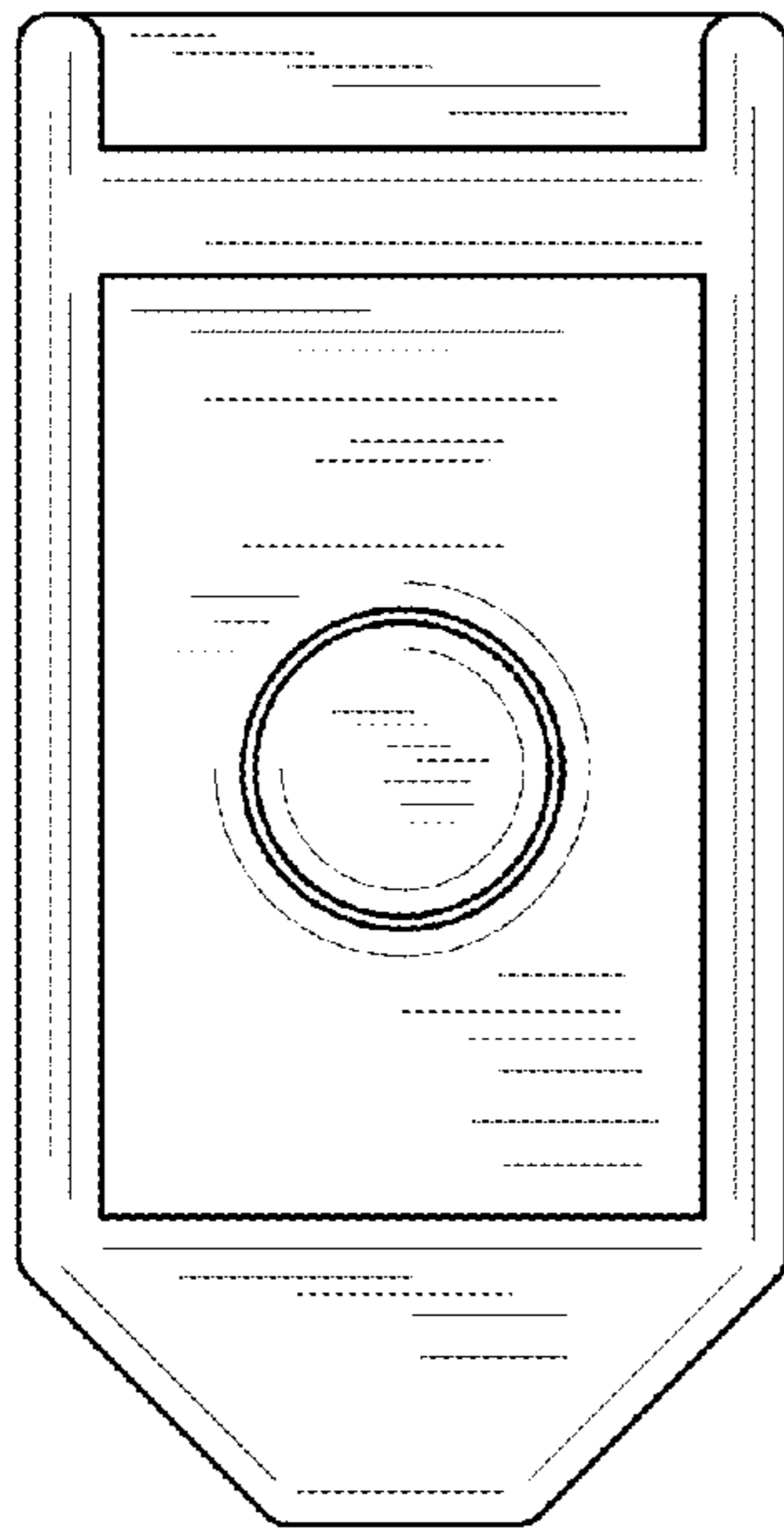


FIG. 2

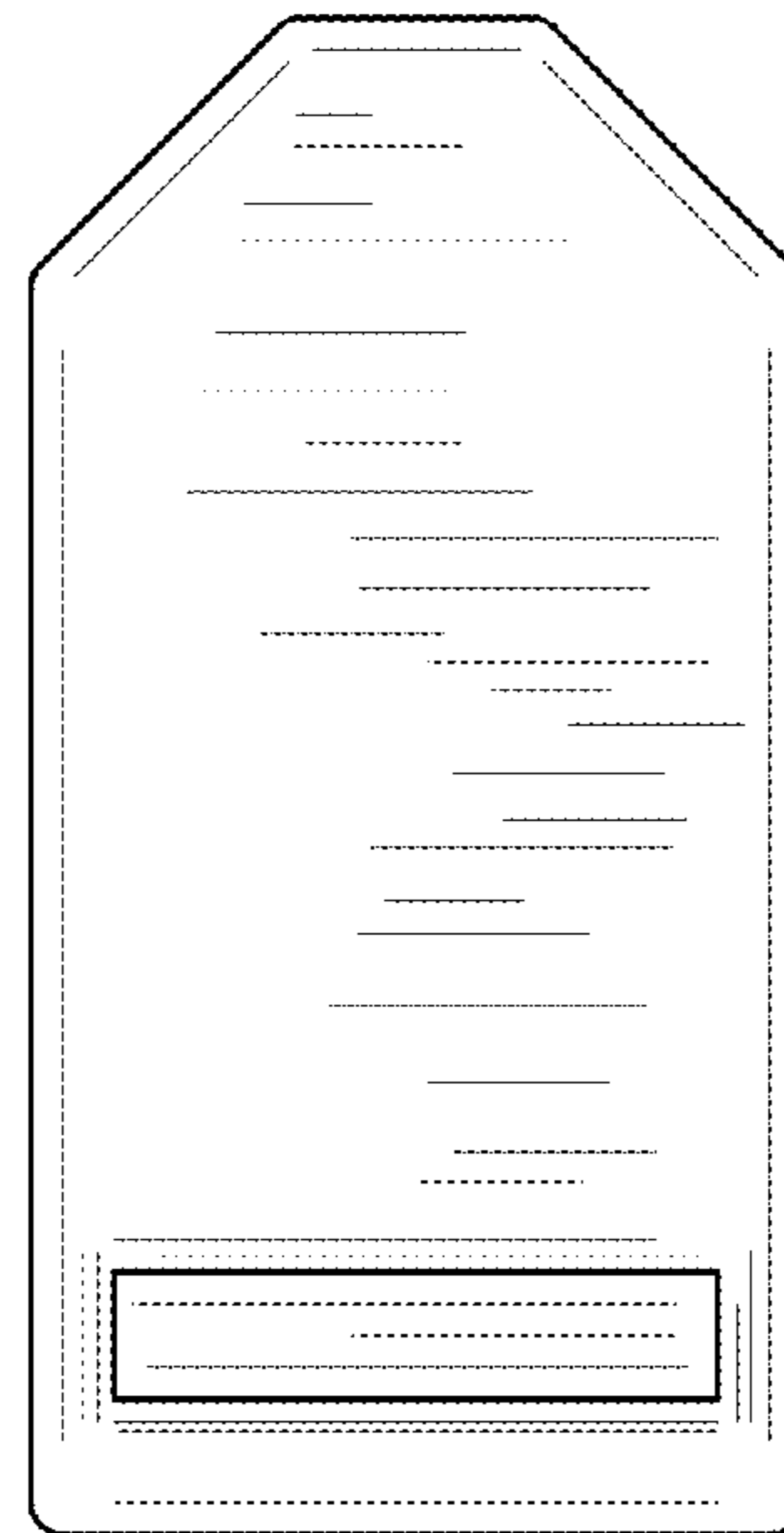


FIG. 3

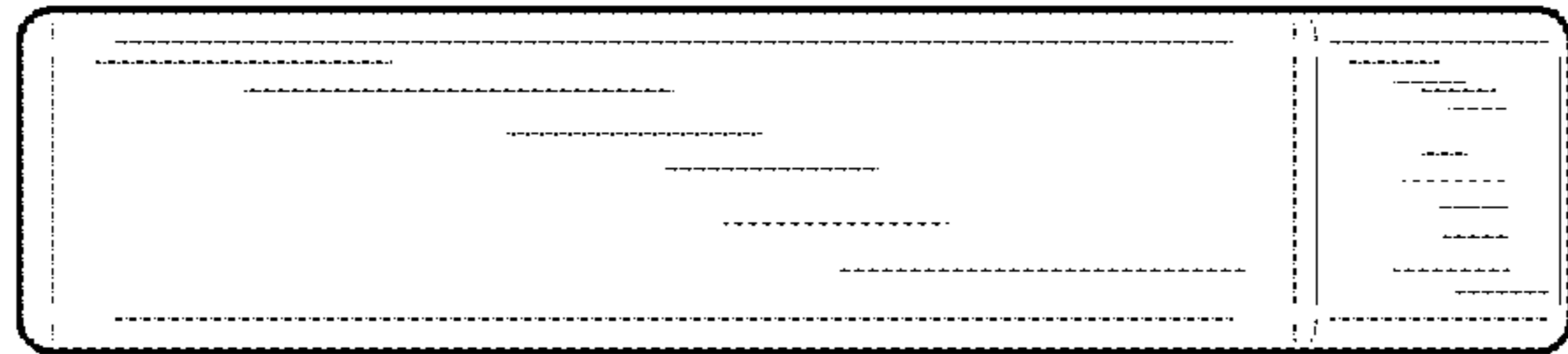


FIG. 4

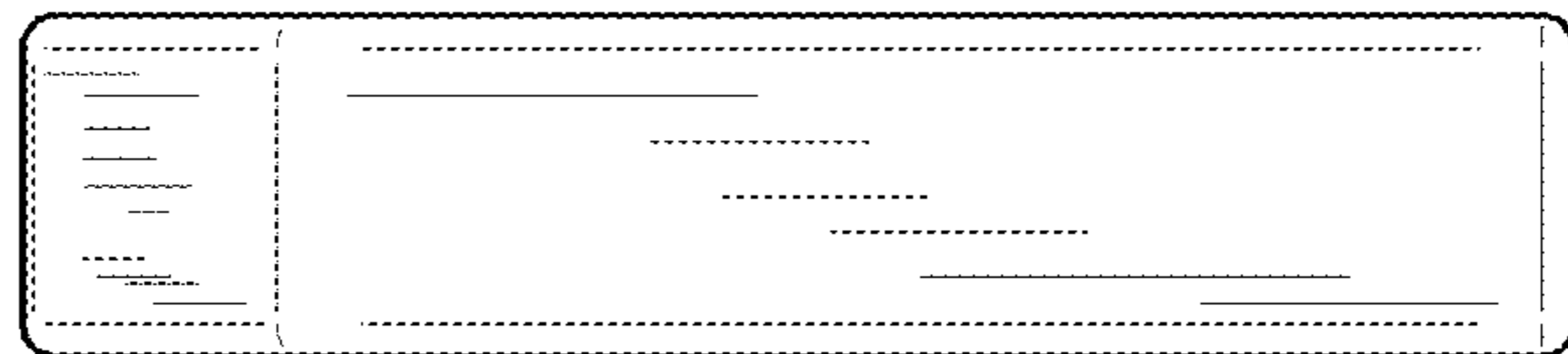


FIG. 5

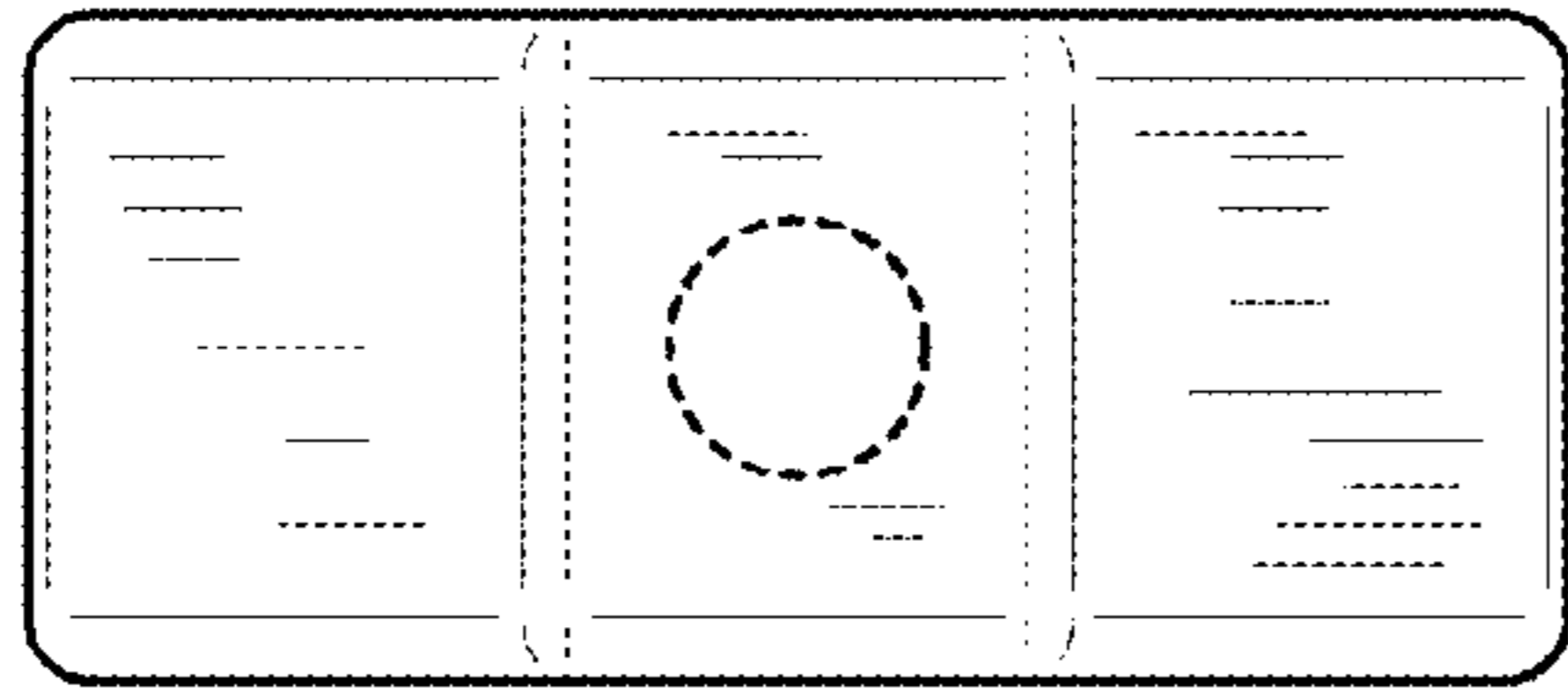


FIG. 6

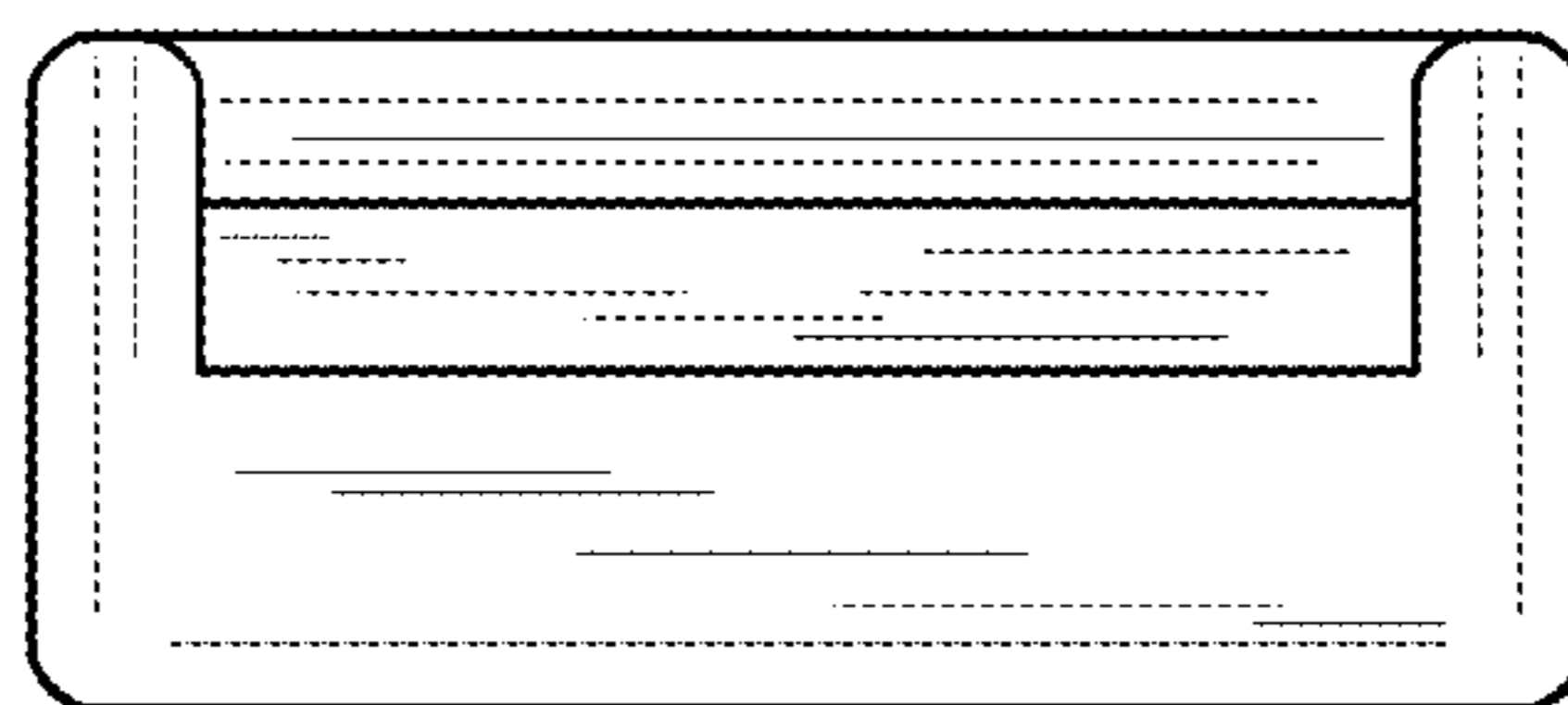


FIG. 7

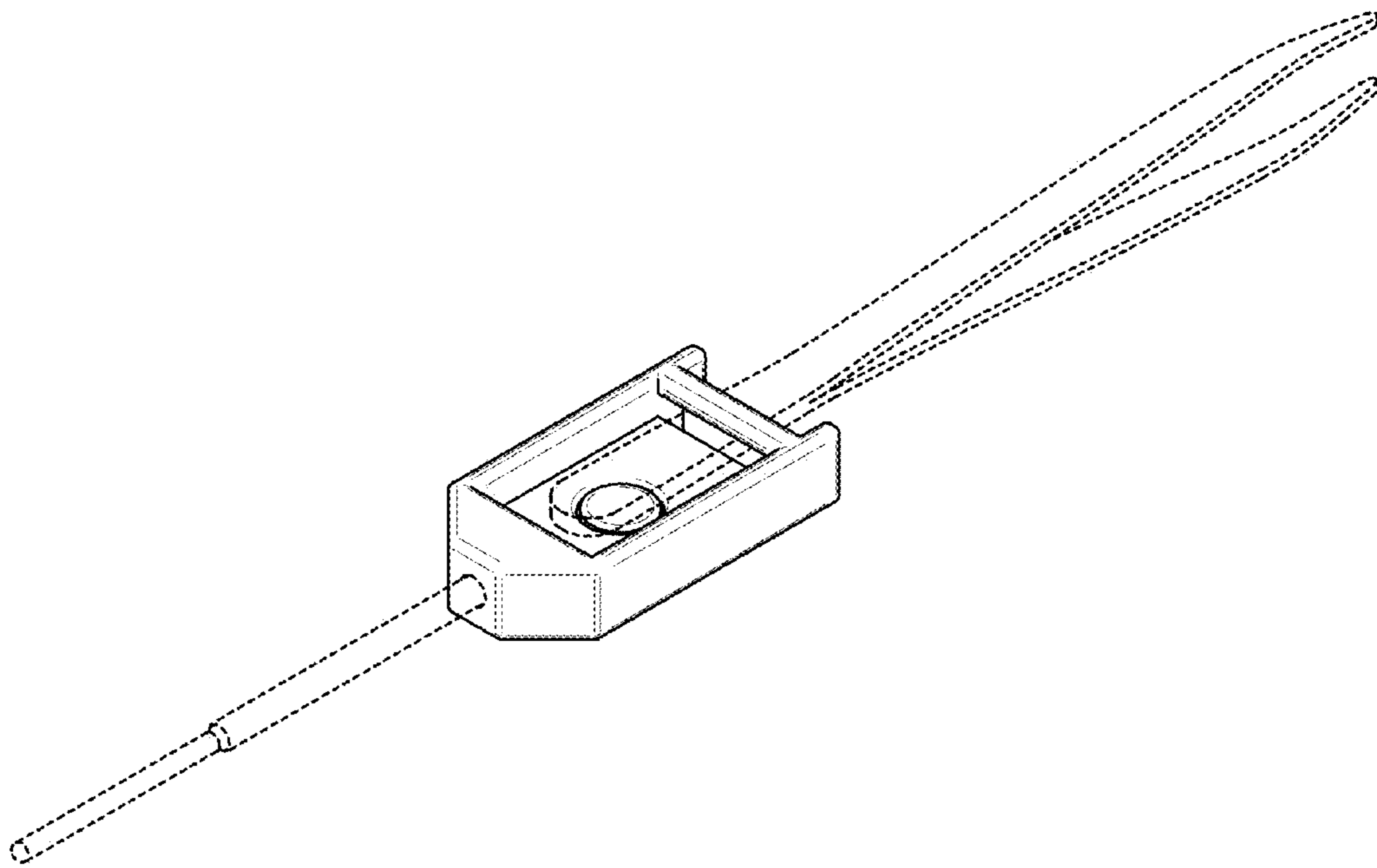


FIG. 8