

US00D764695S

(12) **United States Design Patent** (10) **Patent No.:** **US D764,695 S**  
**Treible, Jr. et al.** (45) **Date of Patent:** **\*\* Aug. 23, 2016**

(54) **LINEAR LUMINAIRE**

(56) **References Cited**

(71) Applicants: **Daniel Robert Treible, Jr.**, Clay, NY (US); **Budd Shaw Honda**, Baldwinsville, NY (US); **Virginia Marie Merriam**, Milltown, NJ (US); **Rajendra Kage**, Bangalore (IN); **Priyaranjan Haridasan**, Bangalore (IN); **Vinay Thimmaiah**, Bangalore (IN); **Ravindra Katta**, Karnataka (IN); **Shiraz Hussain**, Karnataka (IN)

U.S. PATENT DOCUMENTS

D521,172 S *	5/2006	Chen .....	D26/76
D595,444 S *	6/2009	Shimomura .....	D26/76
D607,598 S *	1/2010	Xiao .....	D26/76
D627,914 S *	11/2010	Couture .....	D26/76
D628,734 S *	12/2010	Waldmann .....	D26/74
D698,073 S *	1/2014	Duquette .....	D26/90
D724,249 S *	3/2015	Maxik .....	D26/76
D735,390 S *	7/2015	Yanping .....	D26/74
2008/0205071 A1 *	8/2008	Townsley .....	F21V 29/02 362/373

(72) Inventors: **Daniel Robert Treible, Jr.**, Clay, NY (US); **Budd Shaw Honda**, Baldwinsville, NY (US); **Virginia Marie Merriam**, Milltown, NJ (US); **Rajendra Kage**, Bangalore (IN); **Priyaranjan Haridasan**, Bangalore (IN); **Vinay Thimmaiah**, Bangalore (IN); **Ravindra Katta**, Karnataka (IN); **Shiraz Hussain**, Karnataka (IN)

\* cited by examiner  
*Primary Examiner* — George D Kirschbaum  
*Assistant Examiner* — Natasha Vujcic  
(74) *Attorney, Agent, or Firm* — King & Spalding LLP

(73) Assignee: **Cooper Technologies Company**, Houston, TX (US)

(57) **CLAIM**  
The ornamental design for a linear luminaire, as shown and described.

(\*\*) Term: **14 Years**

**DESCRIPTION**

(21) Appl. No.: **29/506,601**

FIG. 1 is a bottom perspective view of a linear luminaire, showing our new design;  
FIG. 2 is a top perspective view thereof;  
FIG. 3 is cross-sectional view taken from FIG. 5 thereof;  
FIG. 4 is a top elevation view thereof;  
FIG. 5 is a bottom elevation view thereof;  
FIG. 6 is a front elevation view thereof;  
FIG. 7 is a rear elevation view thereof;  
FIG. 8 is a left-side elevation view thereof; and  
FIG. 9 is a right-side elevation view thereof.  
FIG. 10 is a bottom perspective view of another embodiment of a linear luminaire, showing our new design;  
FIG. 11 is a top perspective view thereof;  
FIG. 12 is a cross-sectional view taken from FIG. 14 thereof;  
FIG. 13 is a top elevation view thereof;  
FIG. 14 is a bottom elevation view thereof;  
FIG. 15 is a front elevation view thereof;  
FIG. 16 is a rear elevation view thereof;  
FIG. 17 is a left-side elevation view thereof; and,  
FIG. 18 is a right-side elevation view thereof.  
The broken lines that illustrate portions of the linear luminaire form no part of the claimed design.  
The break lines in the drawings indicate that the appearance of any portion of the linear luminaire between the break lines forms no part of the claimed design.

(22) Filed: **Oct. 17, 2014**

(51) **LOC (10) Cl.** ..... **26-03**

(52) **U.S. Cl.**  
USPC ..... **D26/76**

(58) **Field of Classification Search**  
USPC ..... D26/24, 39, 59, 67, 68, 69, 70, 71, 72,  
D26/74, 76, 77, 80, 88, 89, 98, 138, 139,  
D26/140, 141, 142, 151, 152  
CPC ..... F24S 4/001; F24S 4/005; F24S 8/00;  
F24S 8/04; F24S 8/043; F24S 8/046; F24S  
8/06-8/065; F24S 13/02; F24S 13/04; F24S  
13/06

See application file for complete search history.

**1 Claim, 6 Drawing Sheets**

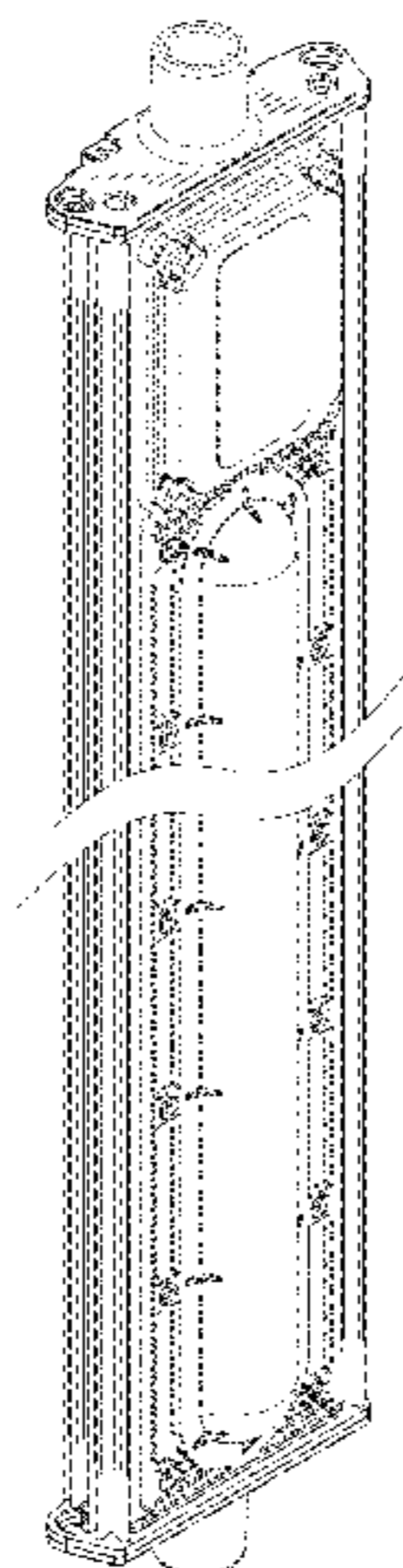


FIG. 1

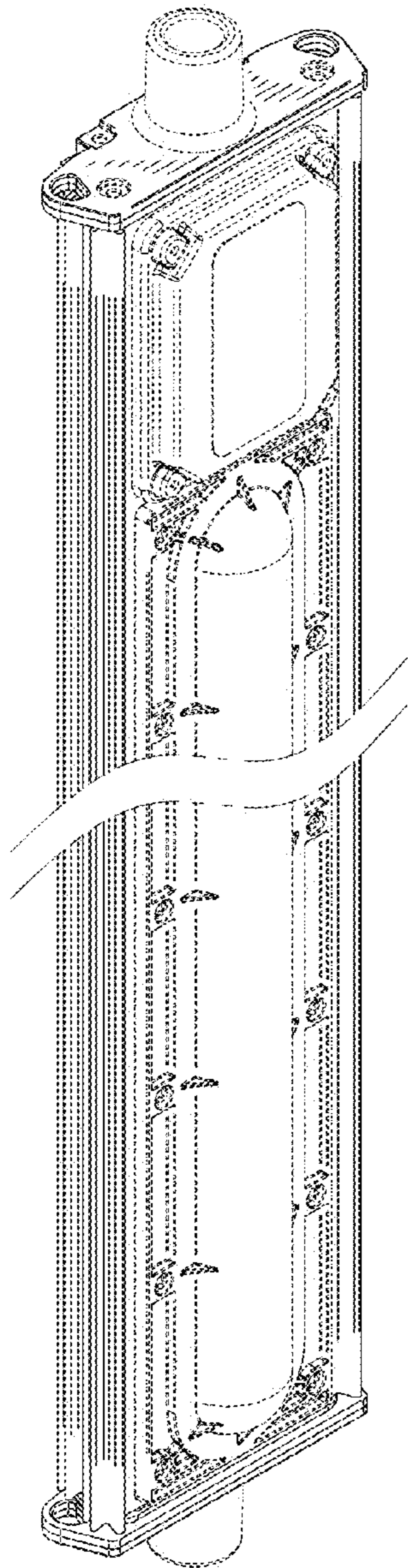


FIG. 2

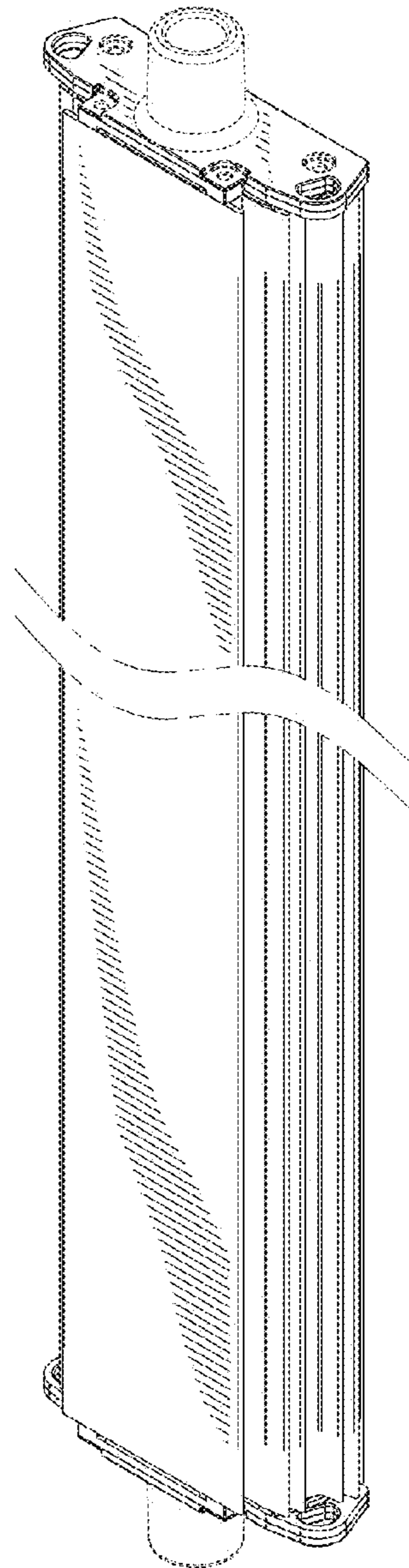


FIG. 3

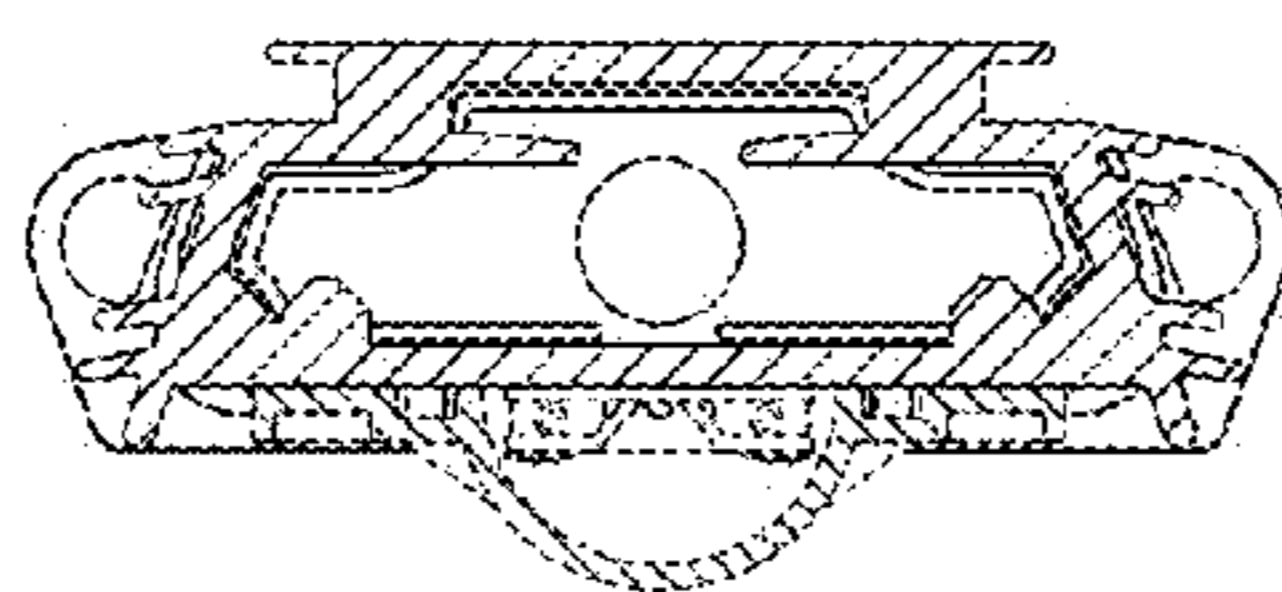




FIG. 4

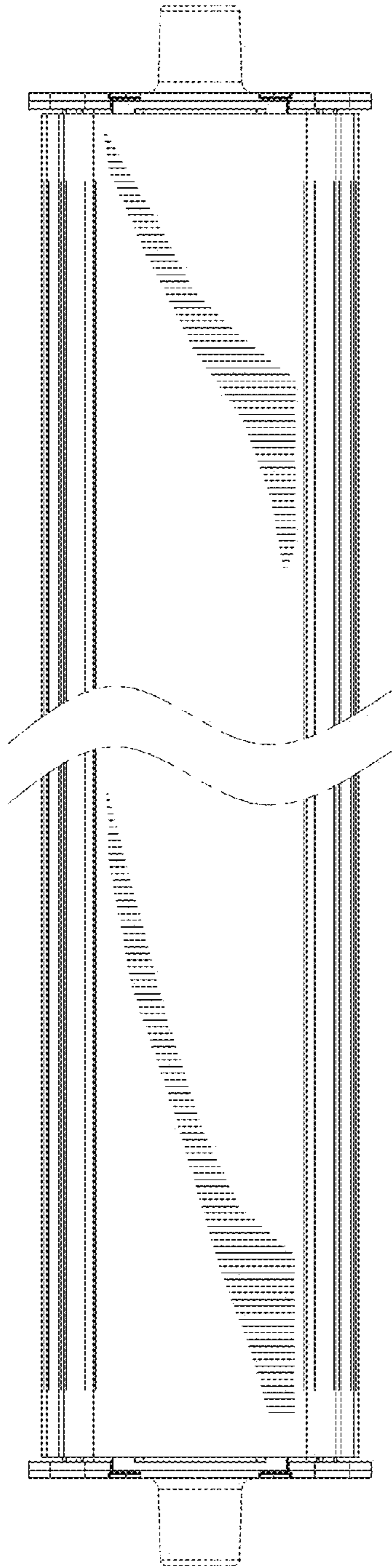


FIG. 5

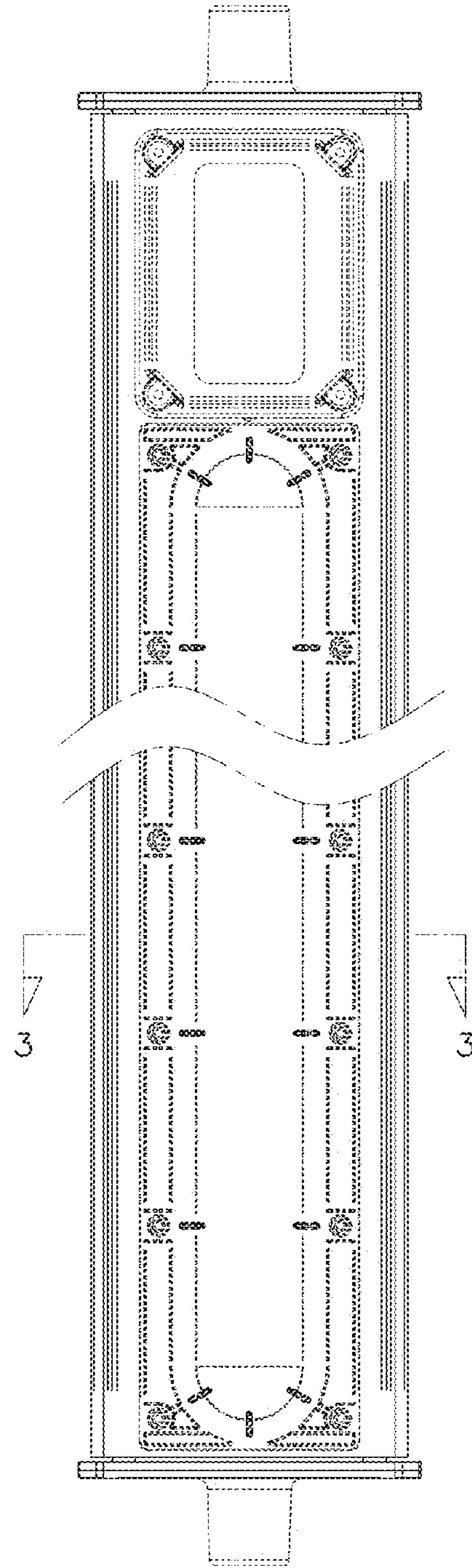


FIG. 6

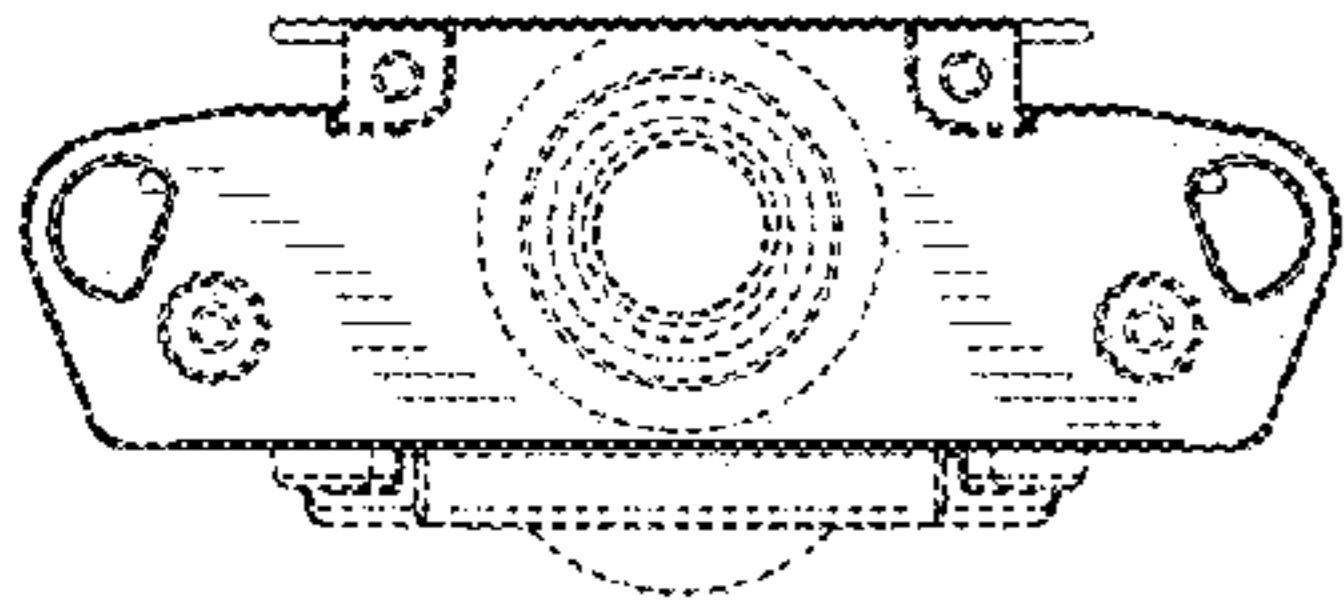


FIG. 7

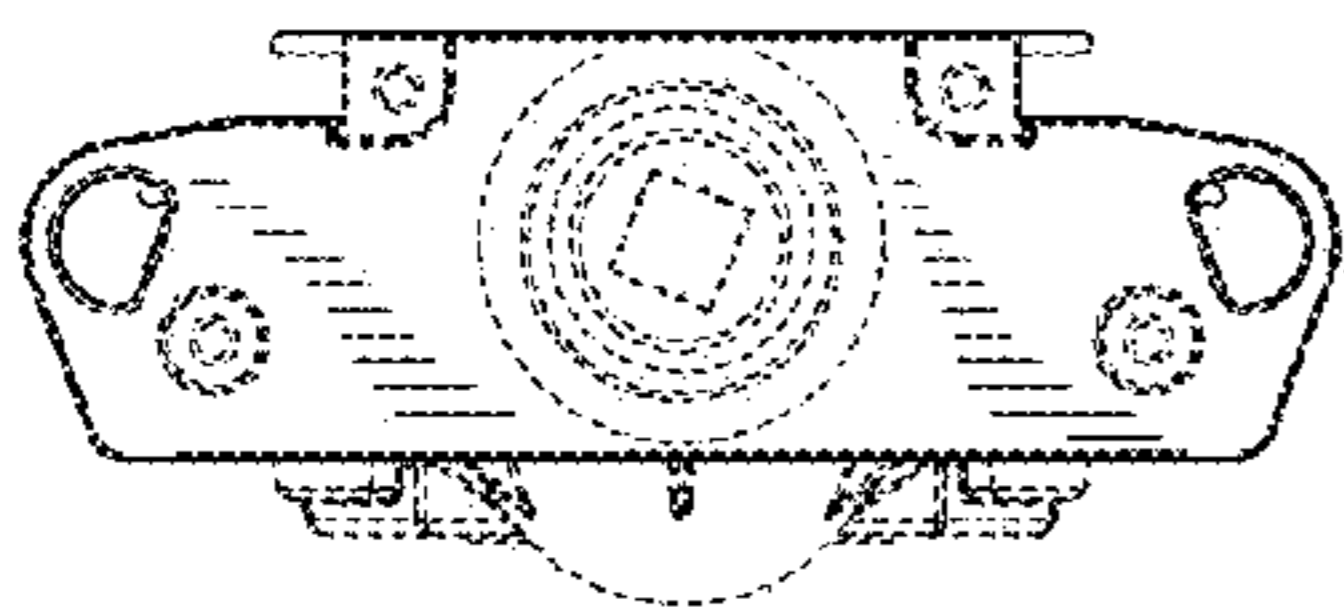


FIG. 8

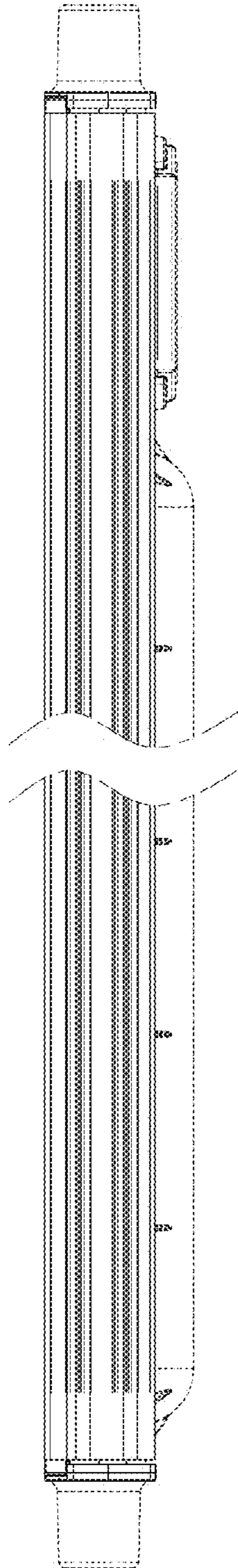


FIG. 9

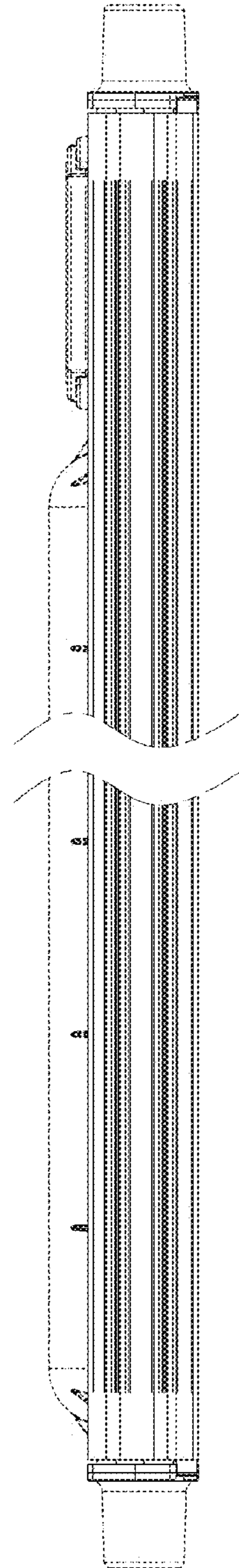


FIG. 10

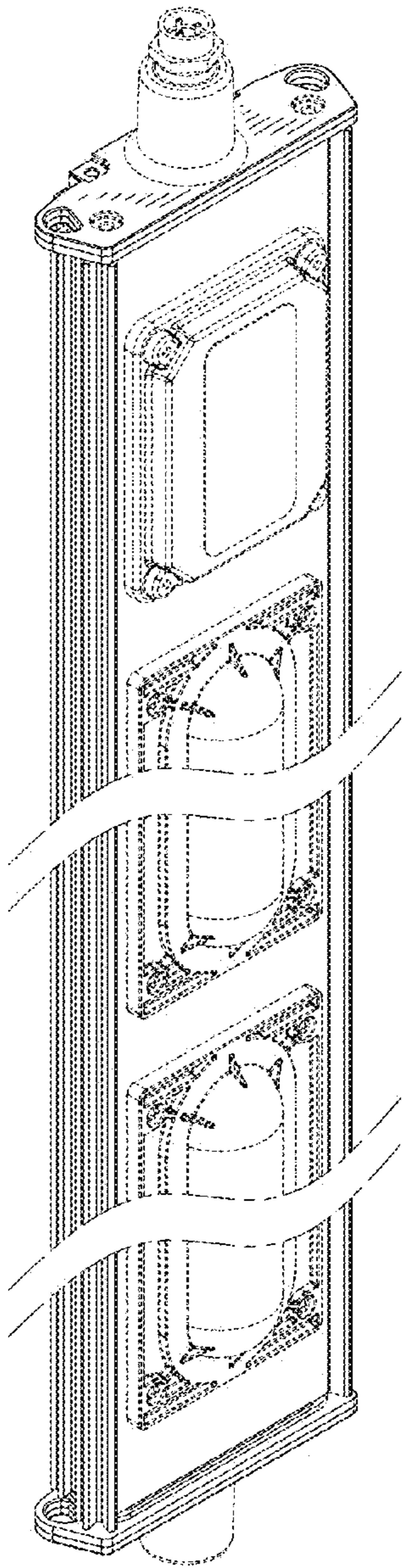


FIG. 11

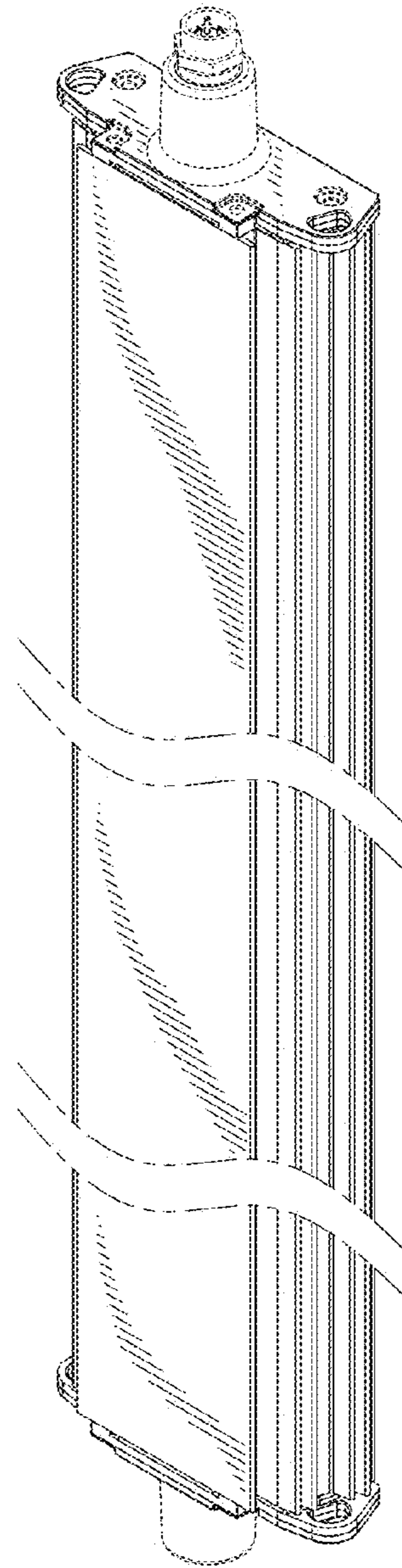


FIG. 12

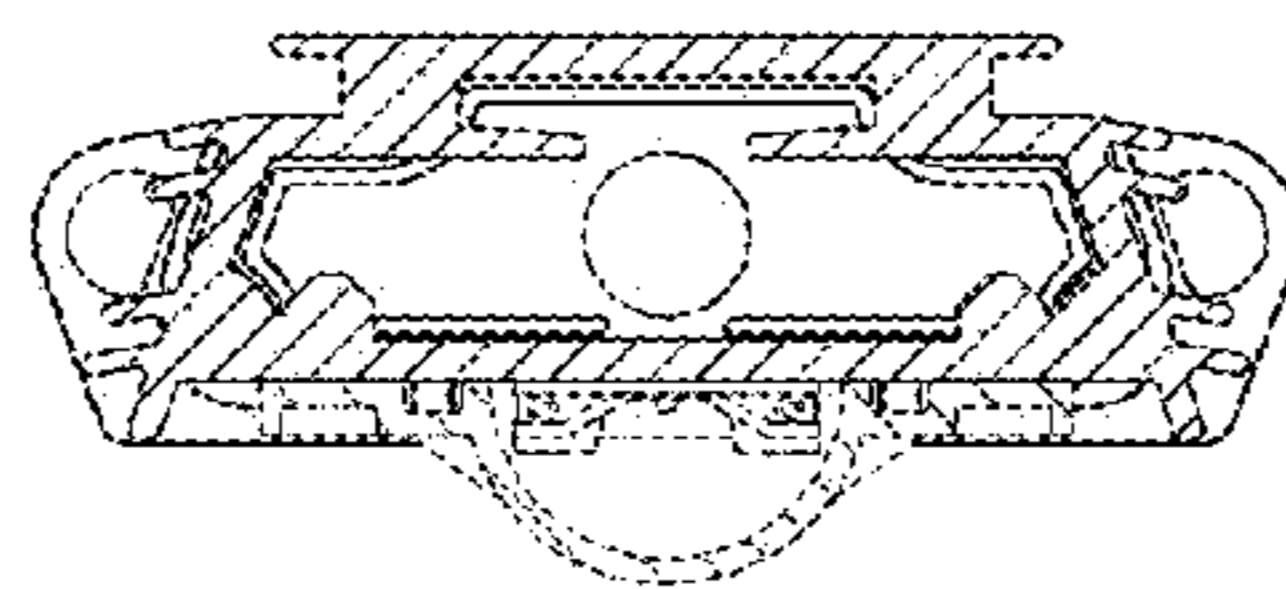




FIG. 13

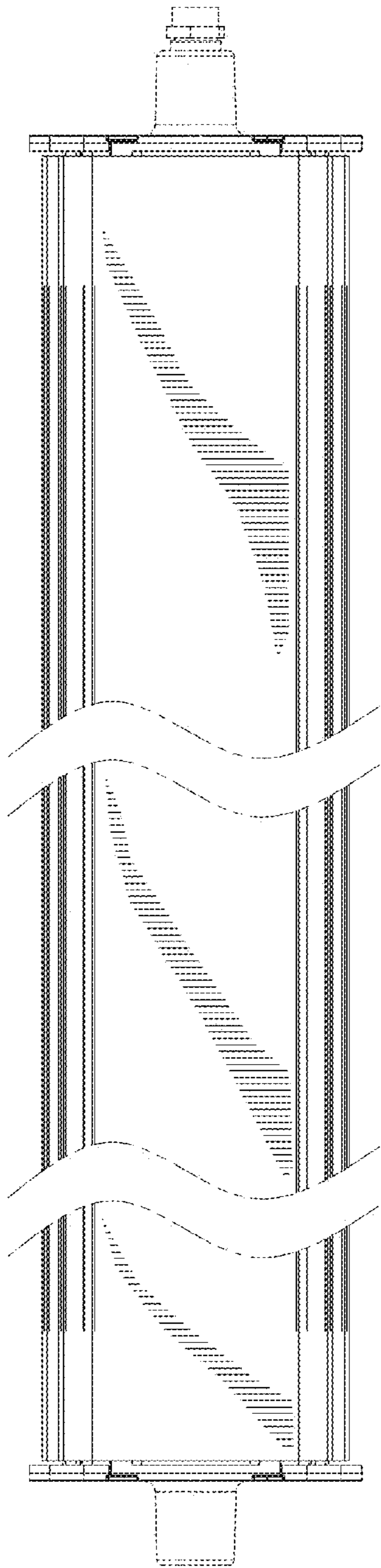


FIG. 14

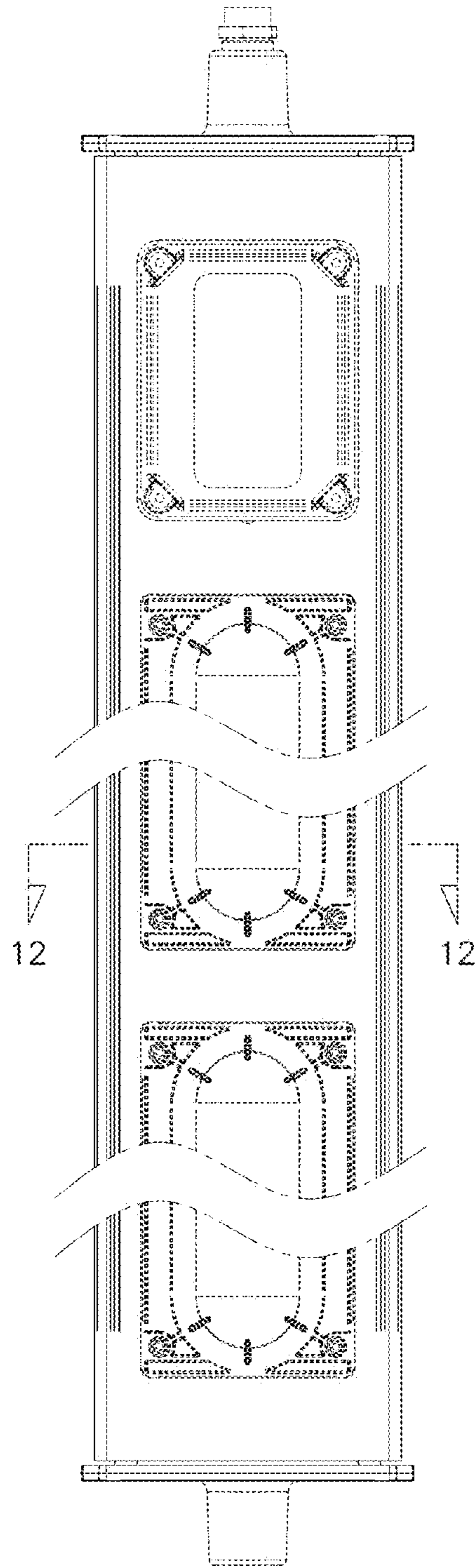


FIG. 15

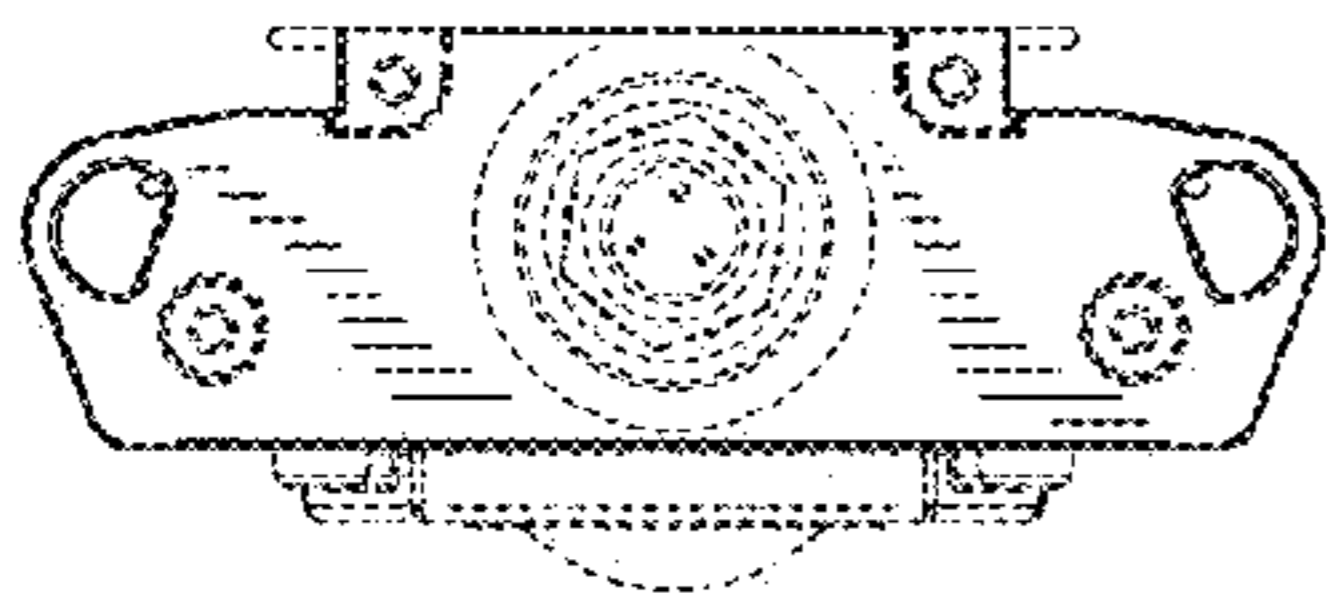


FIG. 16

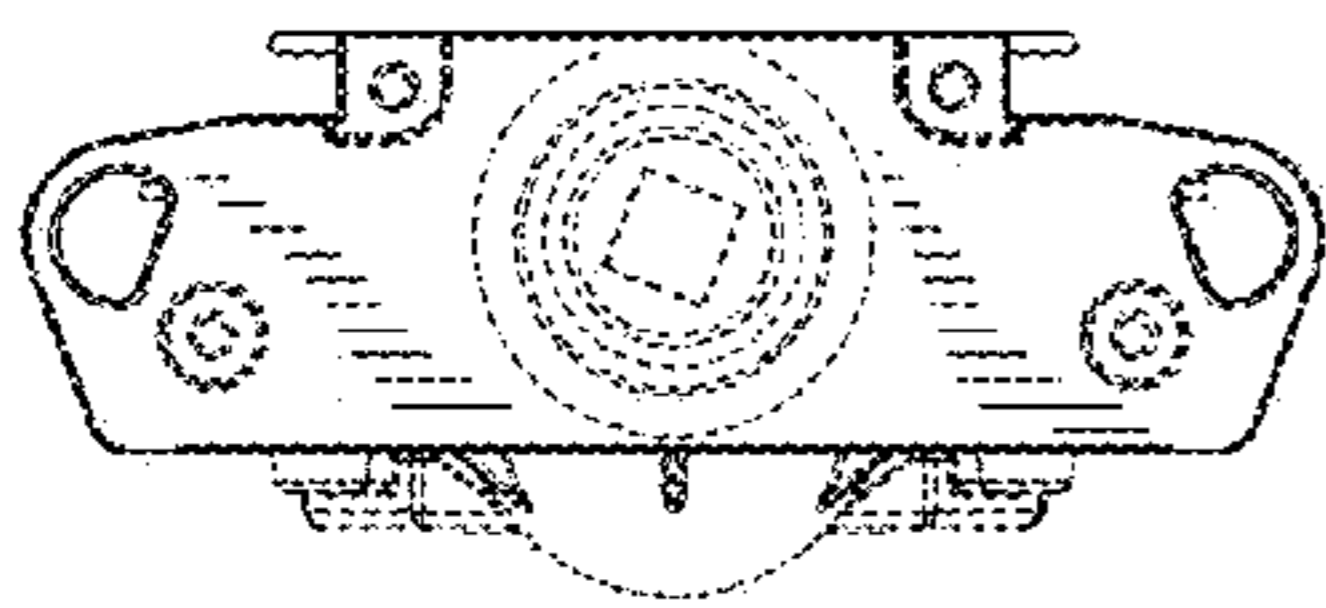


FIG. 17

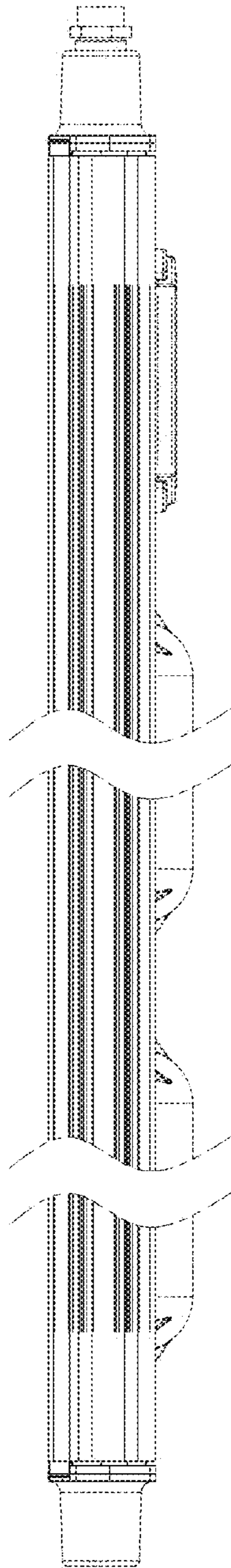


FIG. 18

