



US00D764694S

(12) **United States Design Patent**
Tsai

(10) **Patent No.:** **US D764,694 S**

(45) **Date of Patent:** **** Aug. 23, 2016**

(54) **SOLAR LASER LIGHT**

(71) Applicant: **KE M.O. HOUSE CO., LTD.**,
Shenzhen, Guangdong (CN)

(72) Inventor: **Mo-Tsan Tsai**, Guangdong (CN)

(73) Assignee: **KE M.O. HOUSE CO., LTD.**,
Shenzhen, Guangdong (CN)

(**) Term: **14 Years**

(21) Appl. No.: **29/517,783**

(22) Filed: **Feb. 17, 2015**

(51) **LOC (10) Cl.** **26-05**

(52) **U.S. Cl.**
USPC **D26/67; D26/63**

(58) **Field of Classification Search**
USPC D26/63, 67-70
CPC F21S 6/004; F21S 8/08; F21S 8/081;
F21S 8/083; F21S 8/088; F21S 9/03; F21S
9/032; F21S 9/035; F21S 9/037; F21W
2131/109; F21W 2111/023; F21V 21/0824
See application file for complete search history.

(56) **References Cited**

U.S. PATENT DOCUMENTS

D413,996 S * 9/1999 Andrus D26/63
D414,579 S * 9/1999 Denison D26/63
6,612,720 B1 * 9/2003 Beadle F21V 17/02
362/287
D517,233 S * 3/2006 Doppelt D26/67
7,063,553 B1 * 6/2006 Mullen F21V 19/006
439/336

D542,959 S * 5/2007 Yao D26/63
2005/0103378 A1 * 5/2005 Pu F21S 9/032
136/244
2007/0084500 A1 * 4/2007 Chen F16M 11/14
136/244
2009/0122564 A1 * 5/2009 Beadle F21S 8/081
362/431
2010/0302765 A1 * 12/2010 Yu F21S 8/081
362/183
2014/0293621 A1 * 10/2014 Baldwin F21V 23/06
362/362
2015/0260385 A1 * 9/2015 Brynjolfsson F21V 23/045
315/152

* cited by examiner

Primary Examiner — Clare E Heflin

(74) *Attorney, Agent, or Firm* — Ladas & Parry LLP

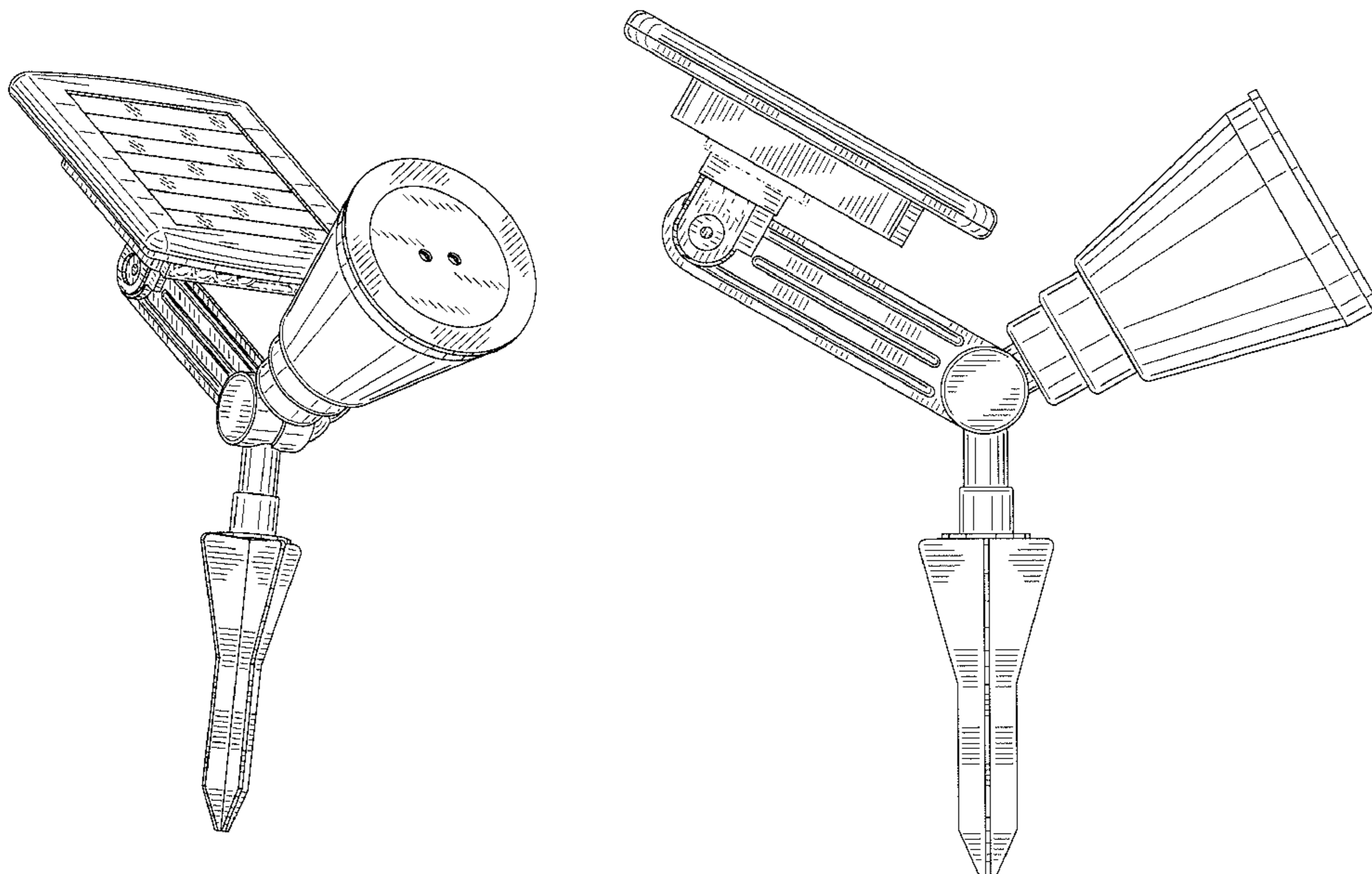
(57) **CLAIM**

I claim the ornamental design for a solar laser light, as shown and described.

DESCRIPTION

FIG. 1 is a perspective view of a solar laser light showing my new design;
FIG. 2 is another perspective view thereof;
FIG. 3 is a front elevation view thereof;
FIG. 4 is a rear elevation view thereof;
FIG. 5 is right side elevation view thereof;
FIG. 6 is a left side elevation view thereof;
FIG. 7 is a top plan view thereof; and,
FIG. 8 is a bottom plan view thereof.
The broken lines shown on the drawings depict portions of the solar laser light that form no part of the claimed design.

1 Claim, 8 Drawing Sheets



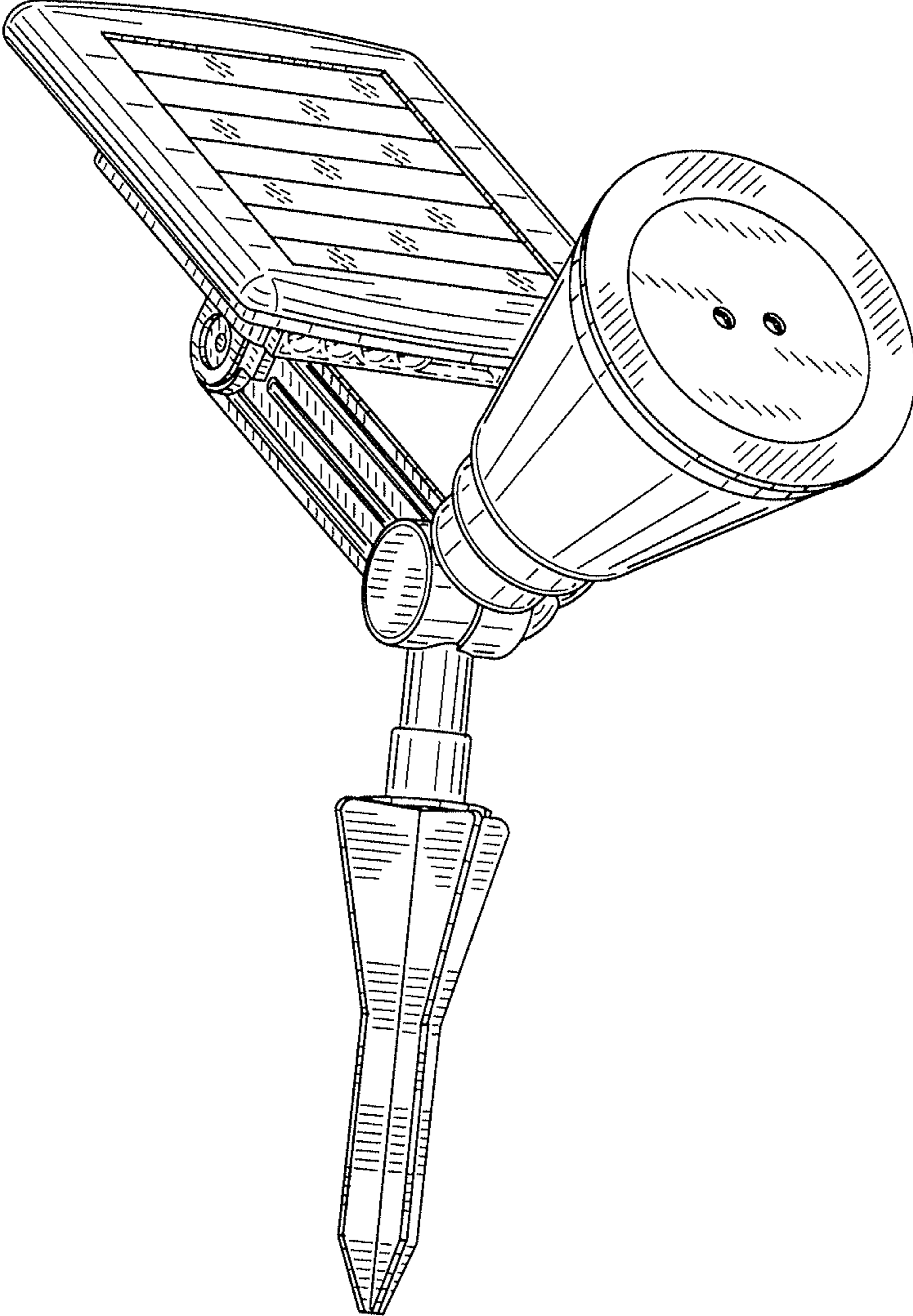


FIGURE 1

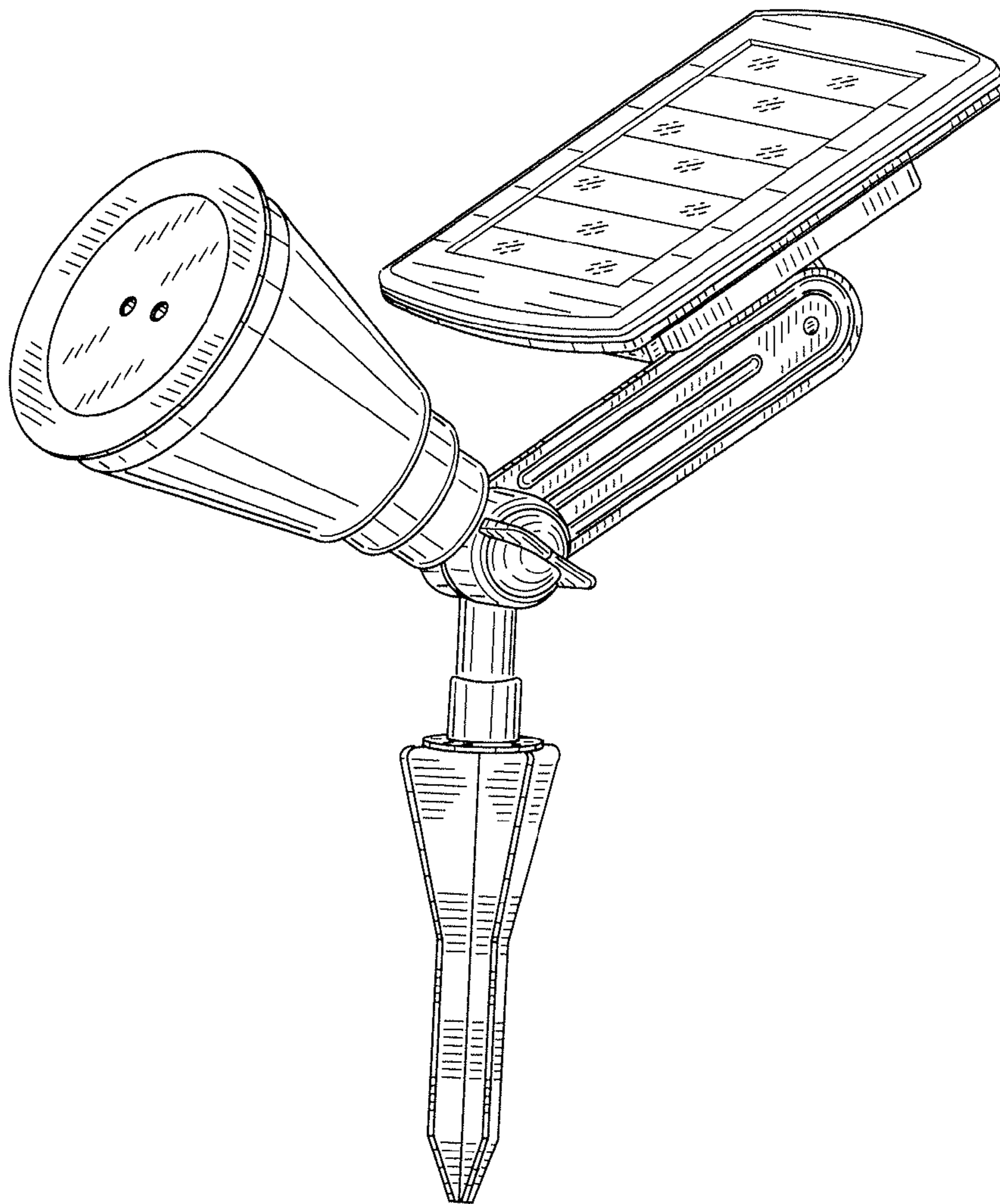


FIGURE 2

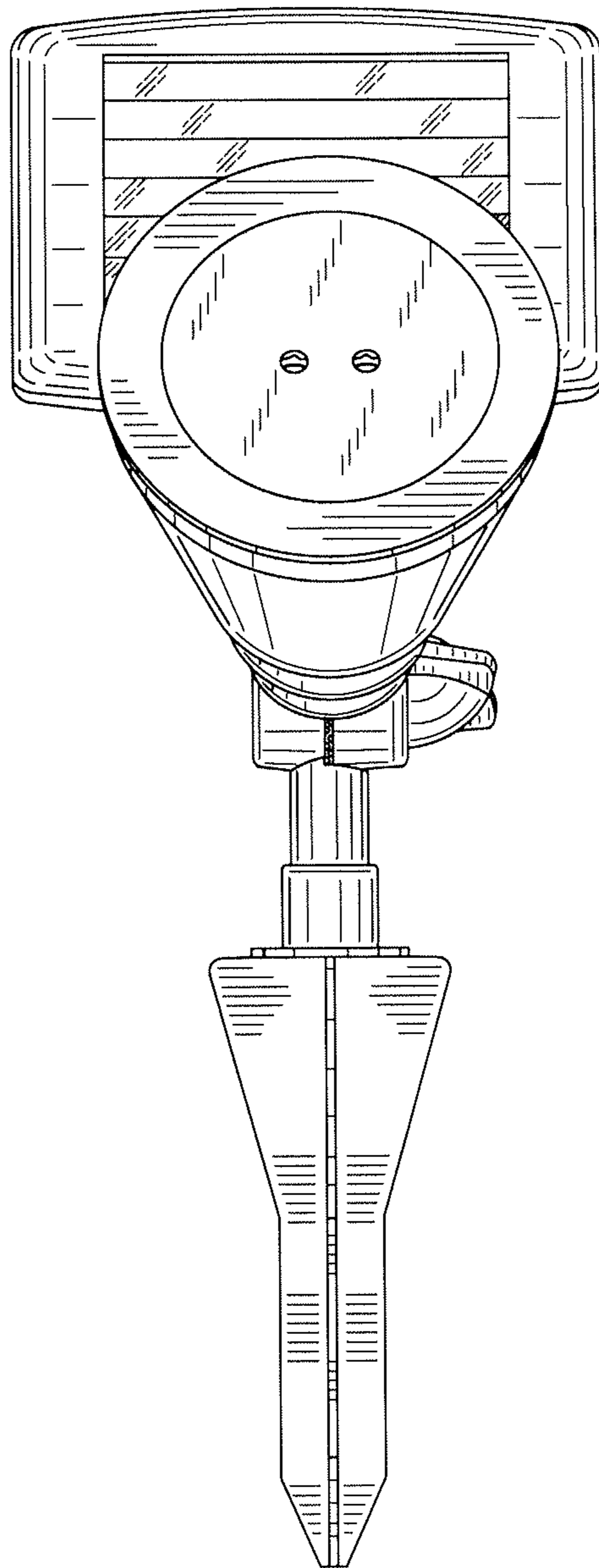


FIGURE 3

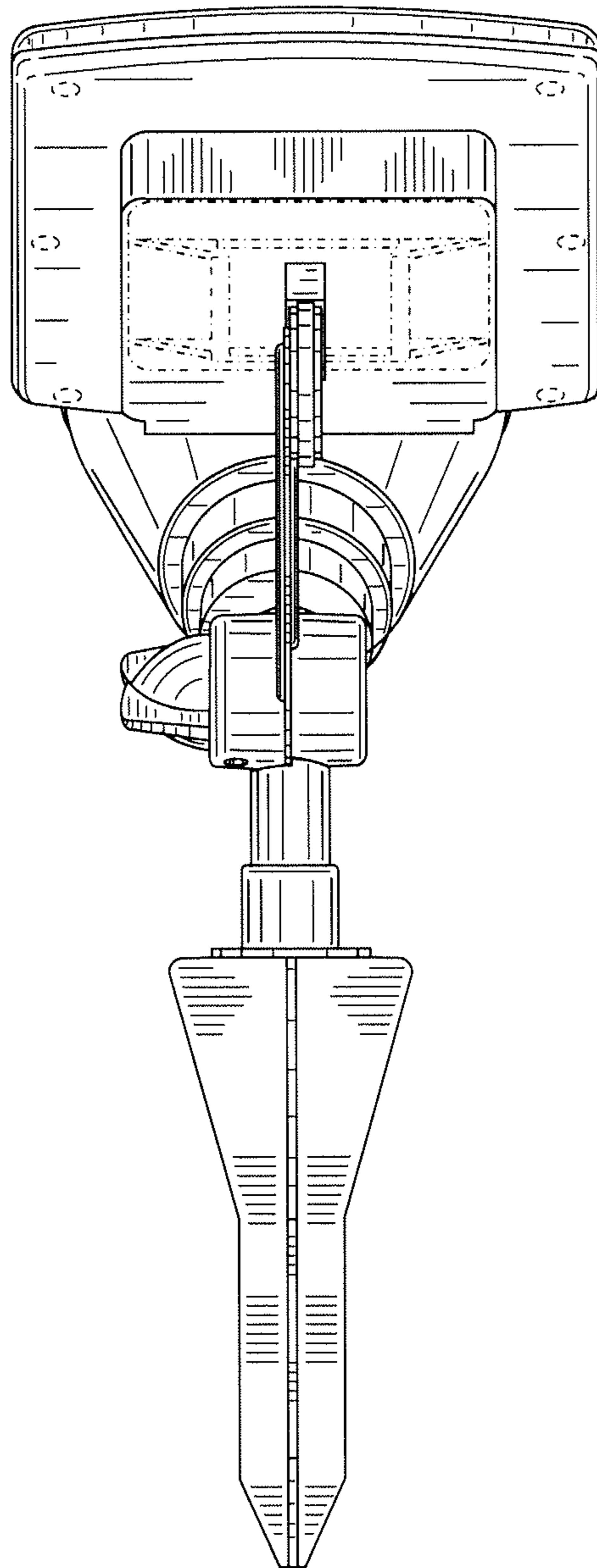


FIGURE 4

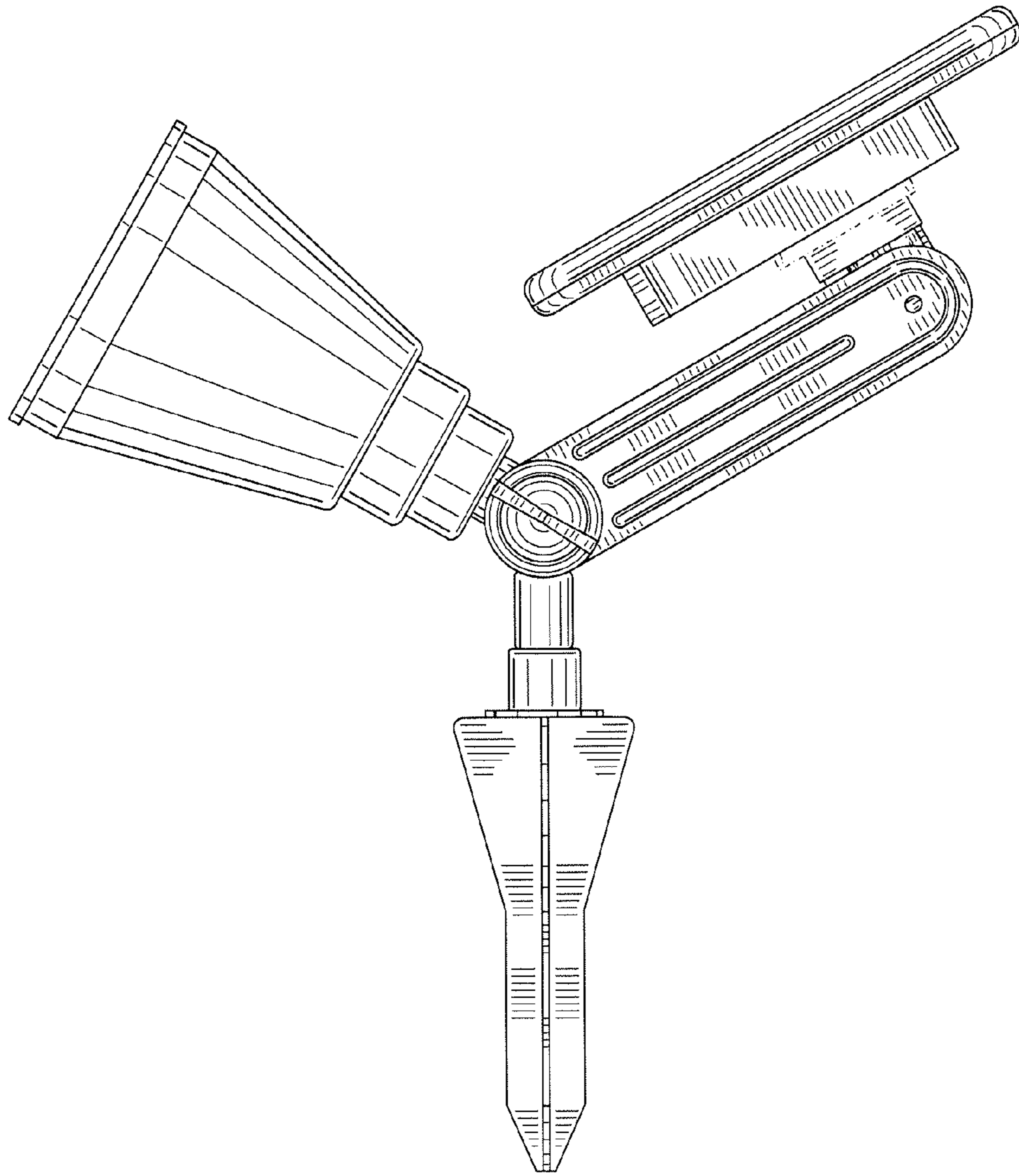


FIGURE 5

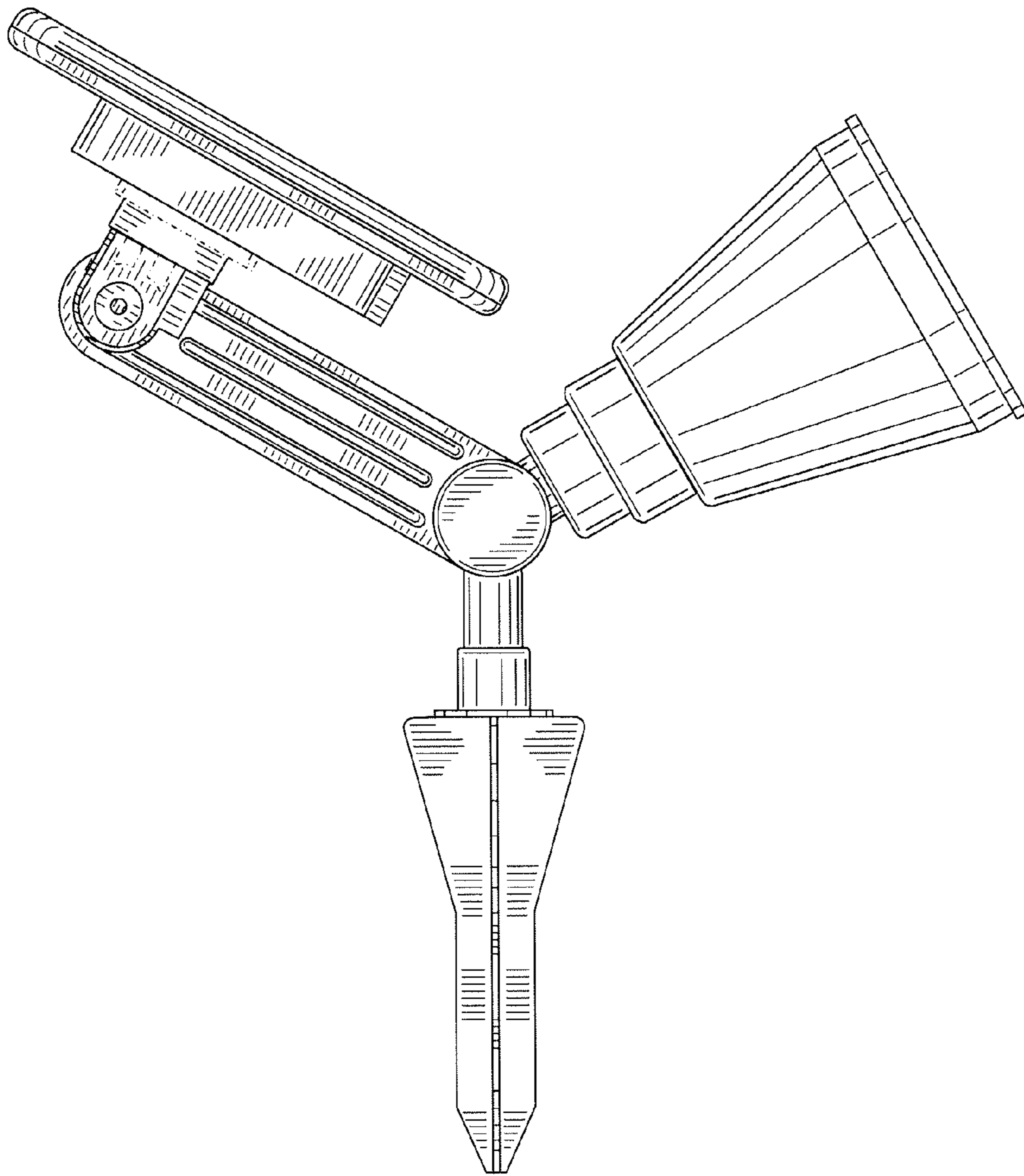


FIGURE 6

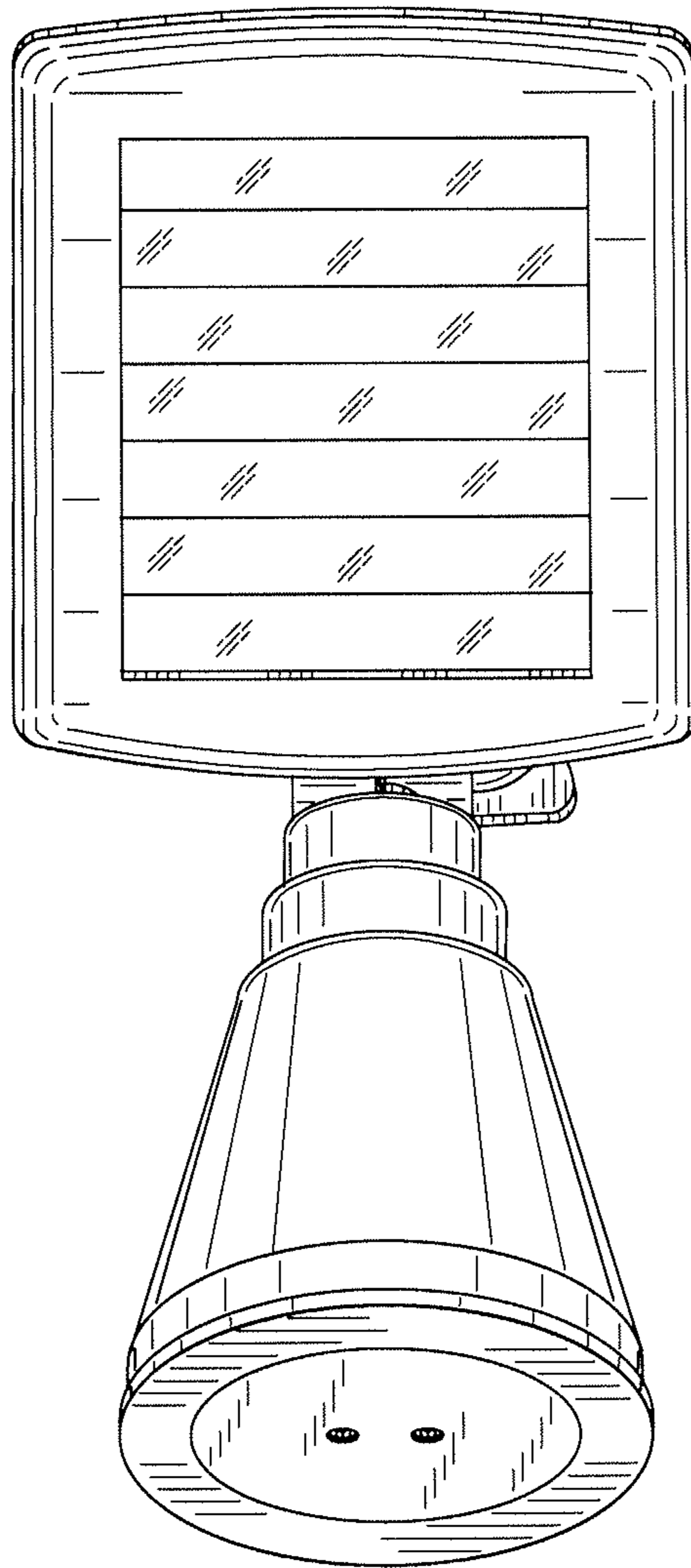


FIGURE 7

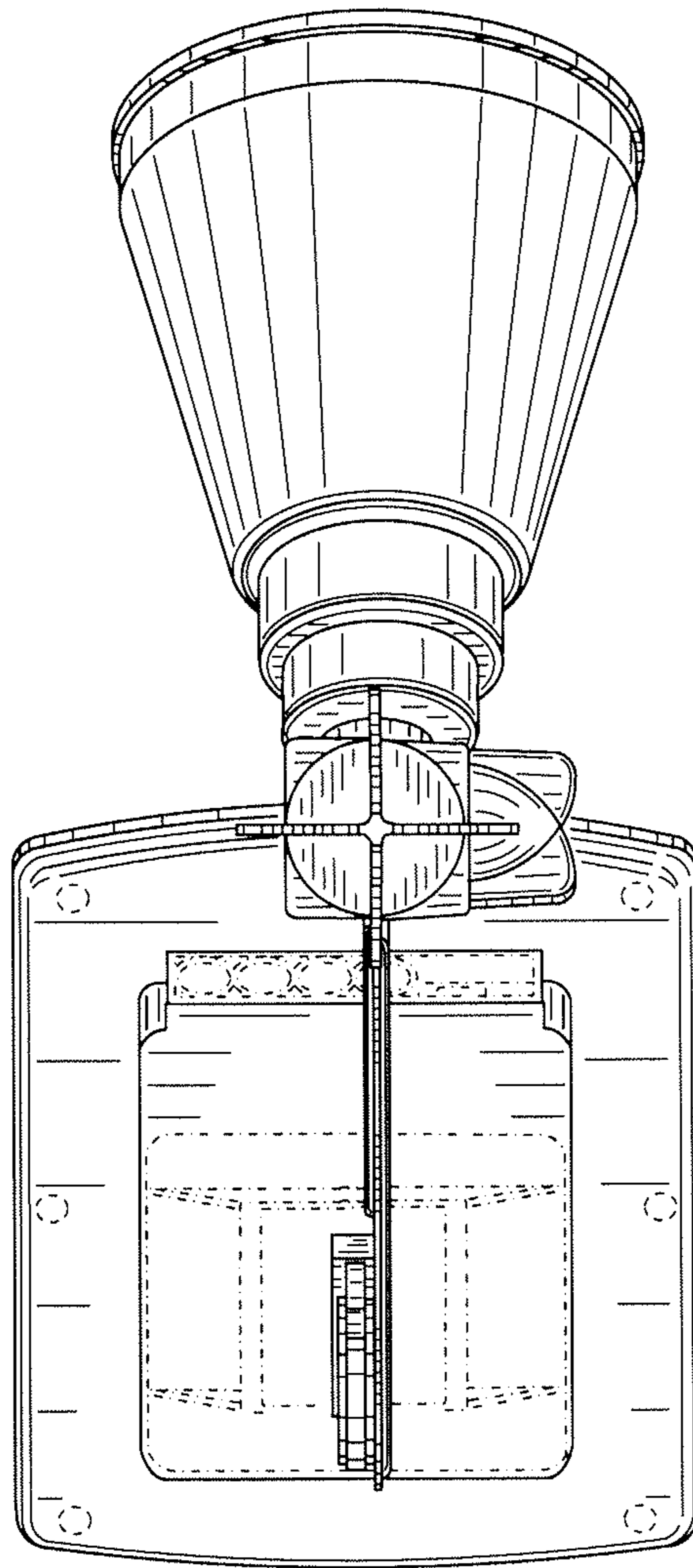


FIGURE 8