

US00D764693S

(12) **United States Design Patent**
Sung

(10) **Patent No.:** **US D764,693 S**

(45) **Date of Patent:** **** Aug. 23, 2016**

(54) **LAMP**

(71) Applicant: **ULTIMATE IMAGE CORPORATION**, Miaoli (TW)

(72) Inventor: **Chih-Feng Sung**, Miaoli (TW)

(73) Assignee: **ULTIMATE IMAGE CORPORATION**, Miaoli (TW)

(**) Term: **14 Years**

(21) Appl. No.: **29/521,489**

(22) Filed: **Mar. 24, 2015**

(51) **LOC (10) Cl.** **26-03**

(52) **U.S. Cl.**
USPC **D26/63**

(58) **Field of Classification Search**
USPC D26/1, 24, 61, 63, 65, 85, 93, 106, 107
CPC F21V 21/14; F21V 15/01; F21V 14/02;
F21V 21/30; F21V 21/00; F21V 14/00;
F21S 8/00; F21S 8/003; F21S 8/043; F21Y
2105/001

See application file for complete search history.

(56) **References Cited**

U.S. PATENT DOCUMENTS

D628,729 S * 12/2010 Citterio D26/65
D674,531 S * 1/2013 Yuen D26/93
D690,858 S * 10/2013 Citterio D26/63

* cited by examiner

Primary Examiner — Brian N Vinson

(74) *Attorney, Agent, or Firm* — Nixon & Vanderhye P.C.

(57) **CLAIM**

The ornamental design for a lamp, as shown and described.

DESCRIPTION

FIG. 1 is a perspective view of the lamp showing my new design;

FIG. 2 is a front elevational view thereof;

FIG. 3 is a rear elevational view thereof;

FIG. 4 is a left side elevational view thereof;

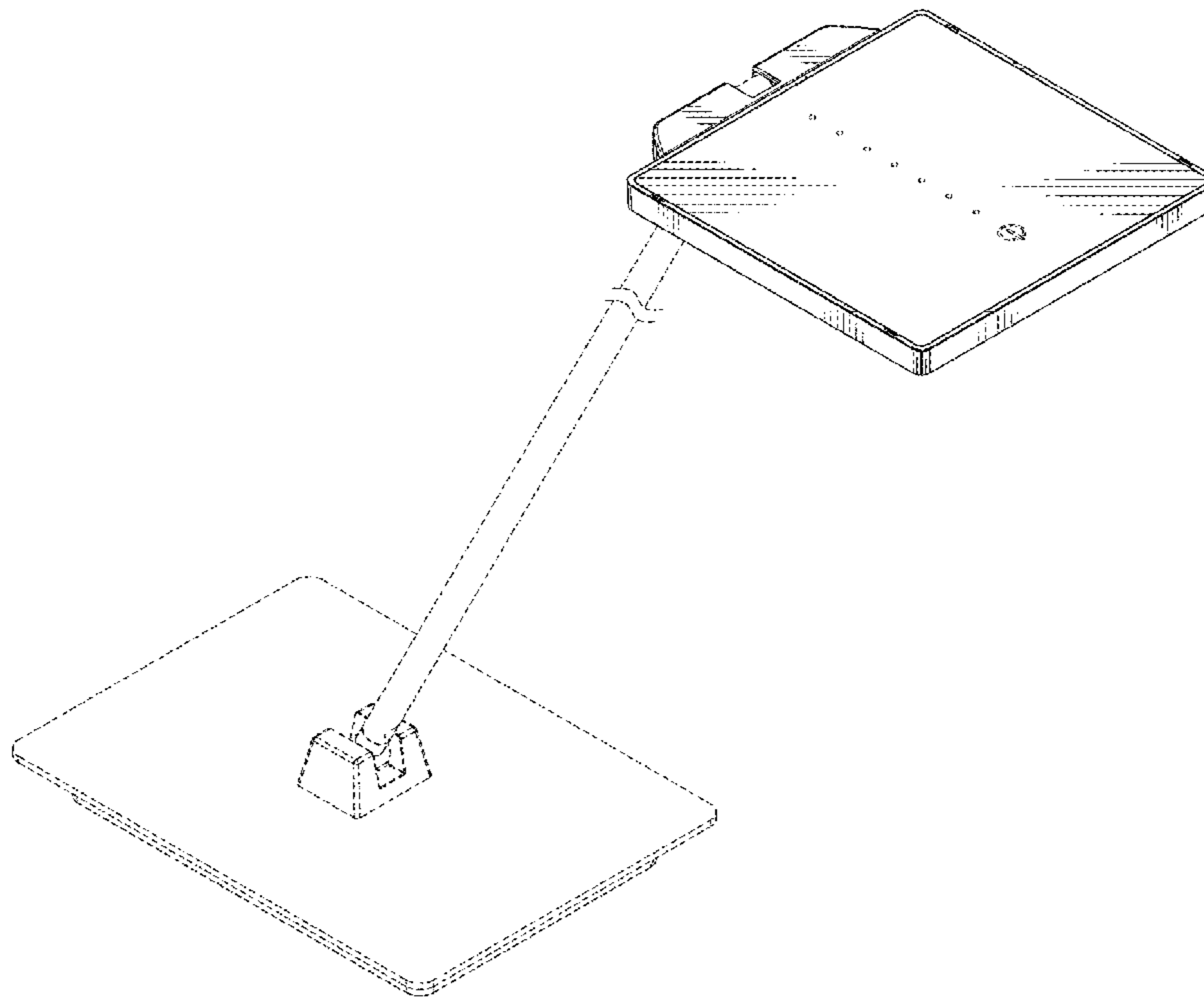
FIG. 5 is a right side elevational view thereof;

FIG. 6 is a top plan view thereof; and,

FIG. 7 is a bottom plan view thereof.

The broken lines represent portions of the lamp which form no part of the claimed design.

1 Claim, 7 Drawing Sheets



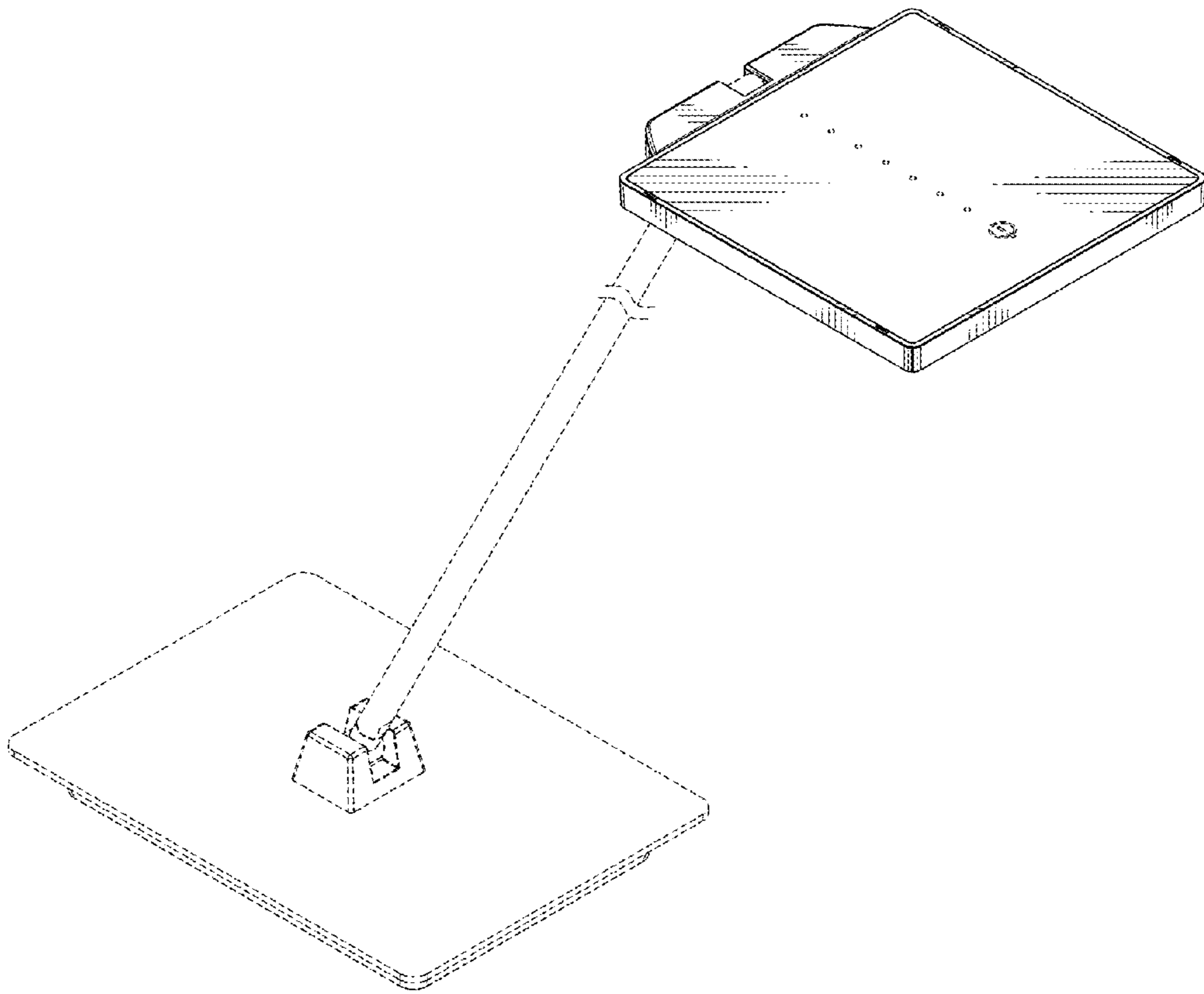


FIG. 1

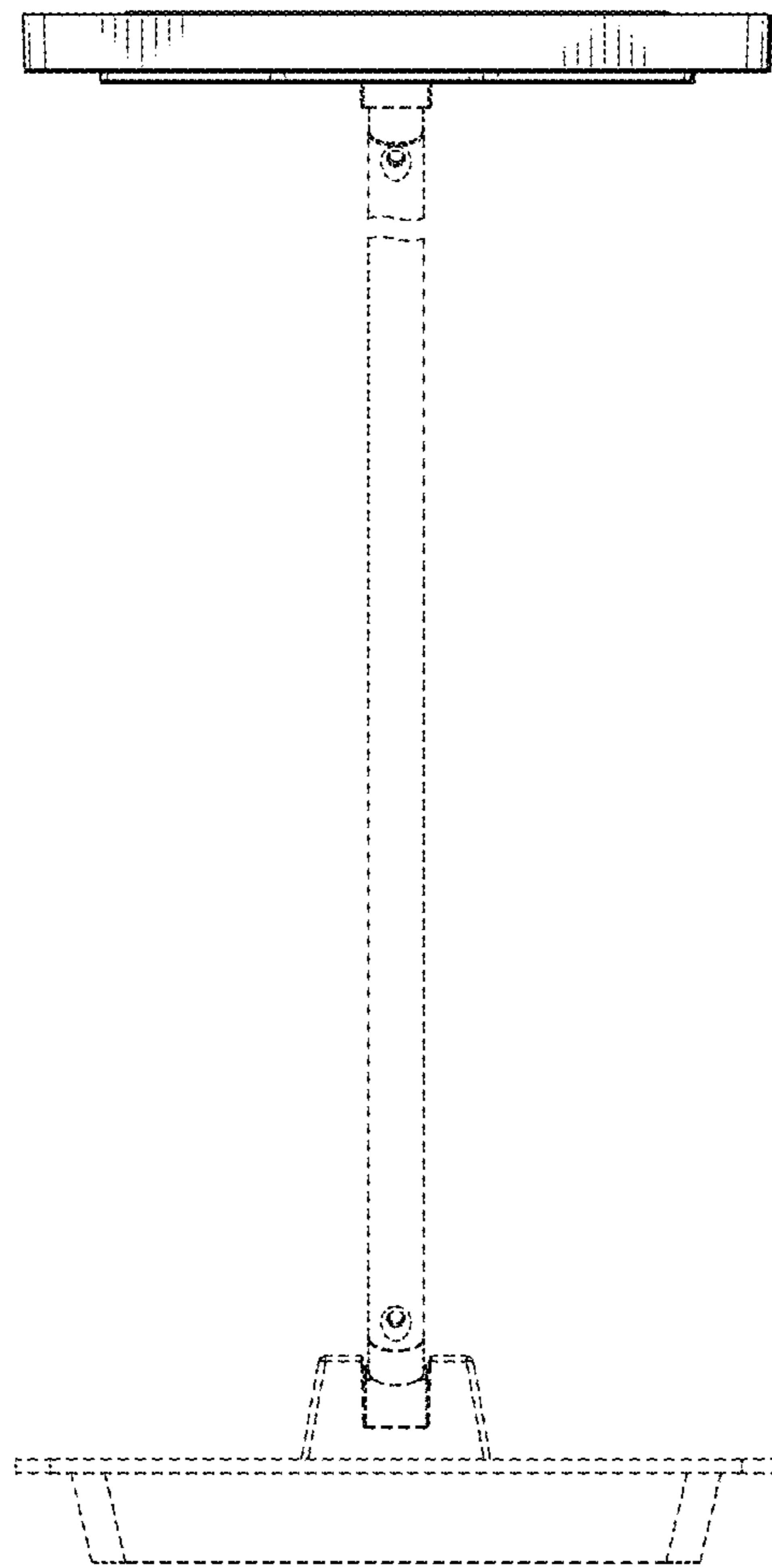


FIG.2

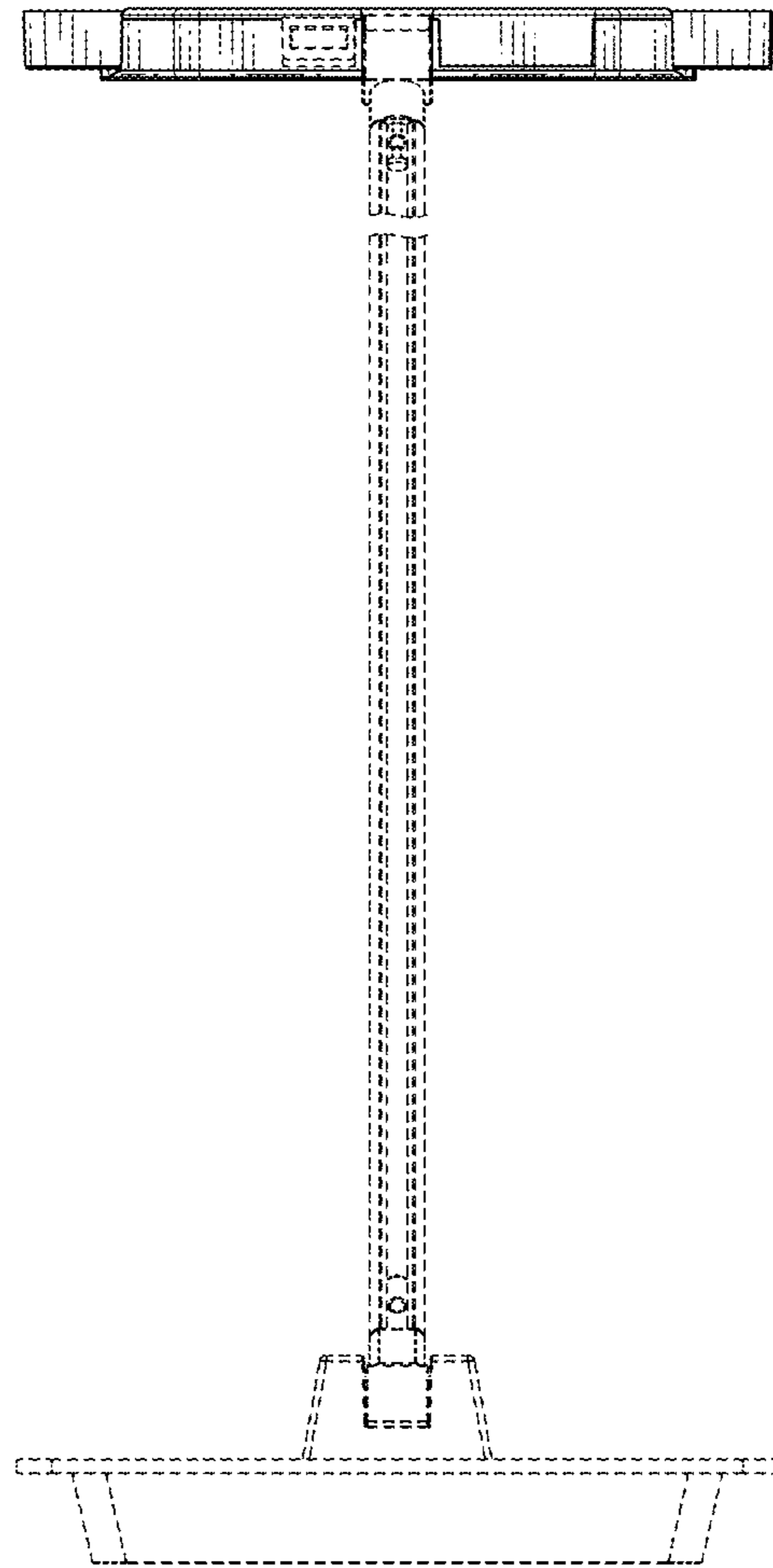


FIG.3

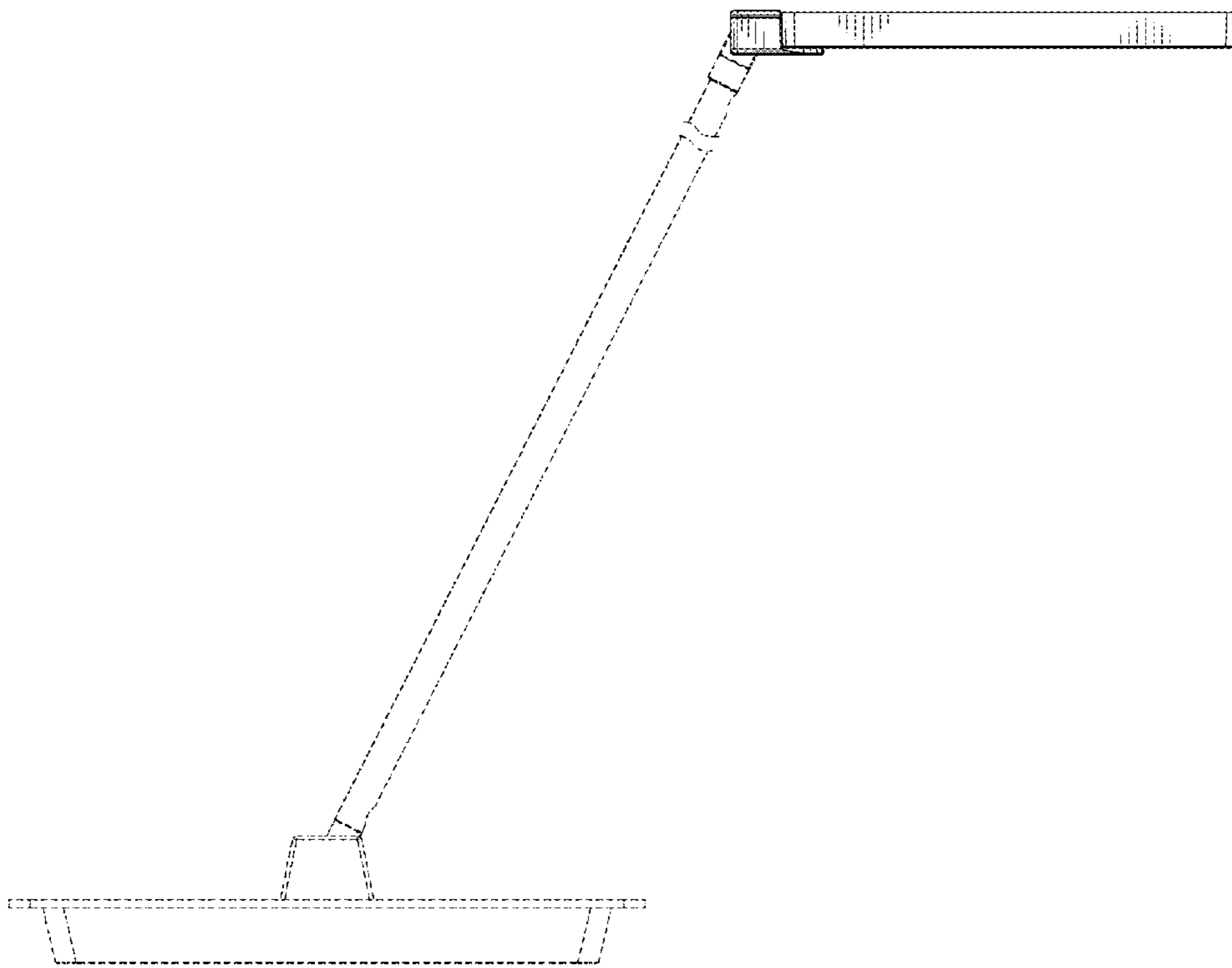


FIG.4

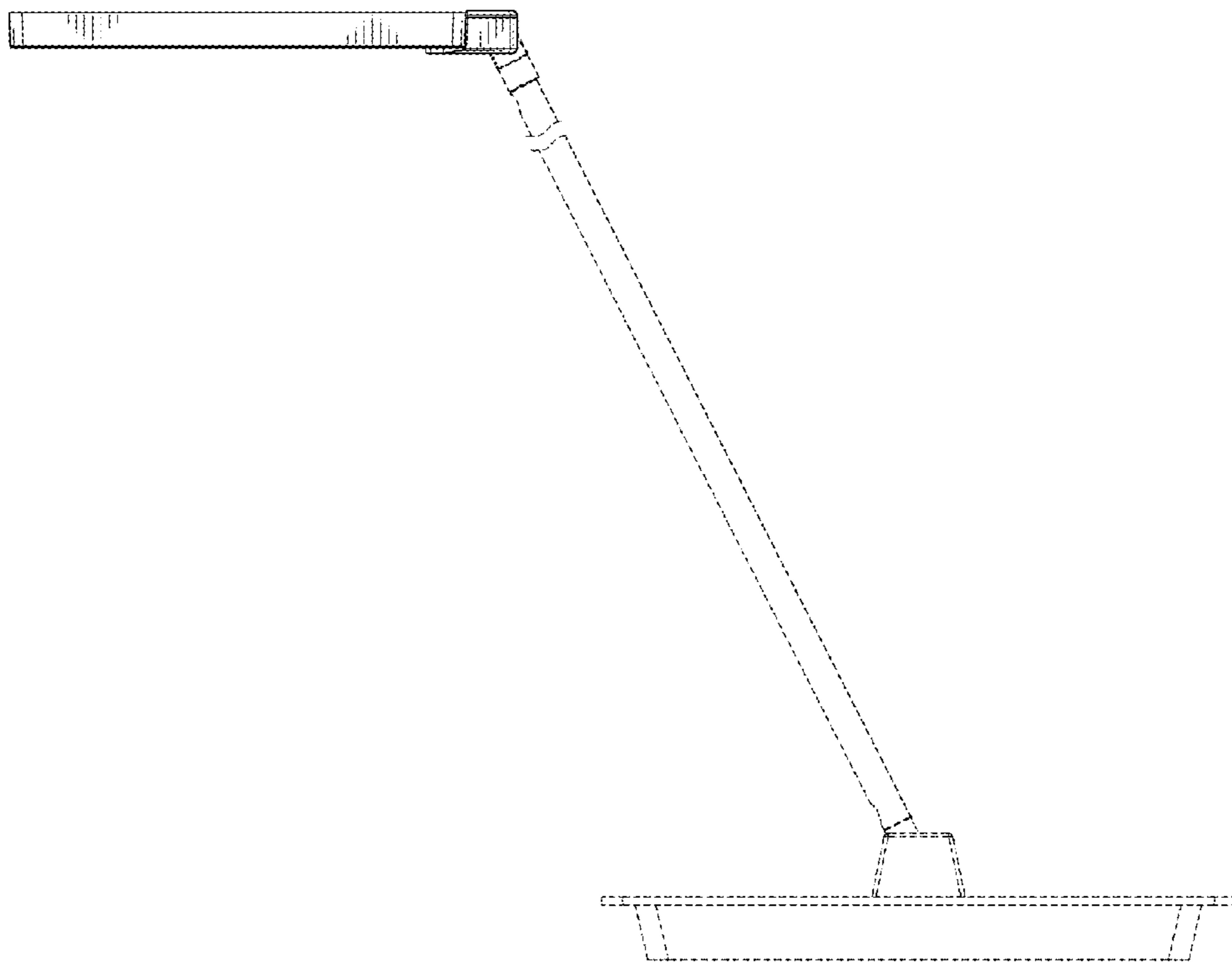


FIG.5

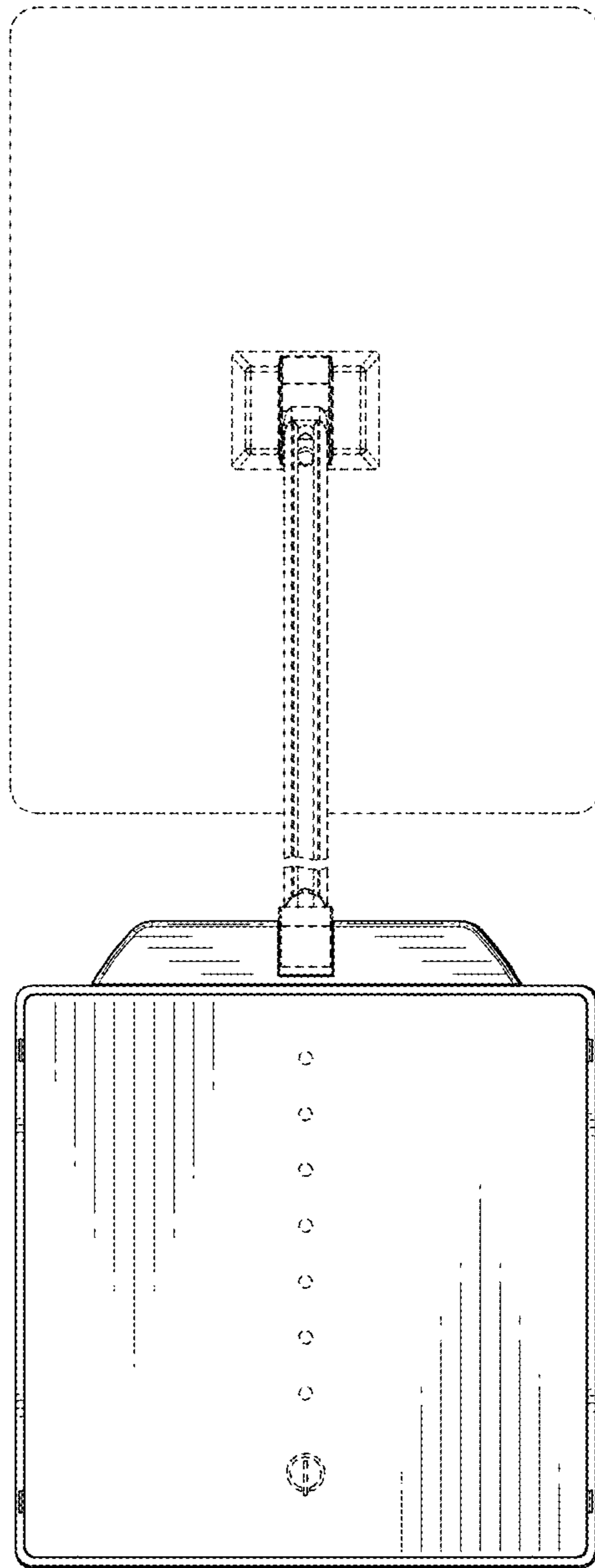


FIG.6

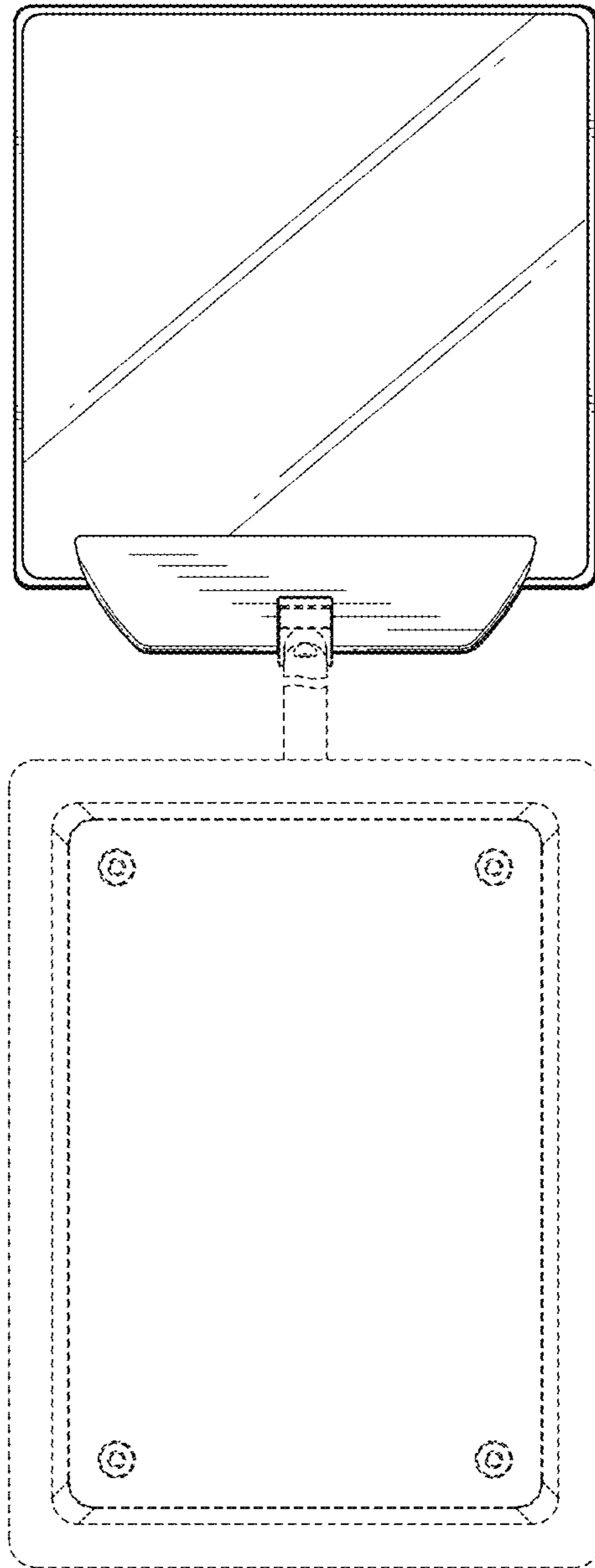


FIG. 7