



US00D764691S

(12) **United States Design Patent**
Luk

(10) **Patent No.:** **US D764,691 S**

(45) **Date of Patent:** **** Aug. 23, 2016**

- (54) **TAILLIGHT FOR A VEHICLE**
- (71) Applicant: **Bayerische Motoren Werke Aktiengesellschaft, Munich (DE)**
- (72) Inventor: **Calvin Luk, Munich (DE)**
- (73) Assignee: **Bayerische Motoren Werke Aktiengesellschaft, Munich (DE)**

D701,983 S *	4/2014	Kong	D26/28
D705,969 S *	5/2014	Park	D26/28
D716,478 S *	10/2014	Loeb	D26/28
D728,132 S *	4/2015	Bieling	D26/28
D728,136 S *	4/2015	Ha	D26/28
D728,137 S *	4/2015	Ha	D26/28
D739,583 S *	9/2015	Forsgren	D26/28
D743,063 S *	11/2015	Park	D26/28
D748,303 S *	1/2016	Sato	D26/28

- (**) Term: **15 Years**
- (21) Appl. No.: **29/530,469**
- (22) Filed: **Jun. 17, 2015**

FOREIGN PATENT DOCUMENTS

WO	DM/078972	2/2013
WO	DM/082393	6/2014

* cited by examiner

Primary Examiner — Angela J Lee

(74) *Attorney, Agent, or Firm* — Crowell & Moring LLP

- (30) **Foreign Application Priority Data**
- Dec. 18, 2014 (DE) 40 2014 101 246
- (51) **LOC (10) Cl.** **26-07**
- (52) **U.S. Cl.**
- USPC **D26/28**
- (58) **Field of Classification Search**
- USPC D26/28-36; 362/459-468, 475-478, 362/485-487
- CPC F21S 48/00; F21S 48/10; F21S 48/115; F21S 48/225; F21S 48/1233; F21S 48/1266; F21S 48/1388; F21S 48/2268; F21V 21/04
- See application file for complete search history.

(57) **CLAIM**

The ornamental design for a taillight for a vehicle, as shown and described.

DESCRIPTION

This application contains subject matter related to the following co-pending U.S. design patent application: Application Ser. No. 29/530,451, filed herewith and entitled "Vehicle, Toy, and/or Replicas Thereof".

FIG. 1 is a front view of a taillight for a vehicle according to the design;

FIG. 2 is a left, front perspective view thereof;

FIG. 3 is a right, front perspective view thereof;

FIG. 4 is a left side view thereof;

FIG. 5 is a right side view thereof;

FIG. 6 is a top view thereof;

FIG. 7 is a bottom view thereof; and,

FIG. 8 is a rear view thereof.

- (56) **References Cited**
- U.S. PATENT DOCUMENTS**

D552,769 S *	10/2007	Leclercq	D26/28
D573,732 S *	7/2008	Suzuki	D26/28
D620,157 S *	7/2010	Frenzel	D26/28
D686,358 S *	7/2013	Morgenstern	D26/28

1 Claim, 8 Drawing Sheets





Fig. 1



Fig. 2

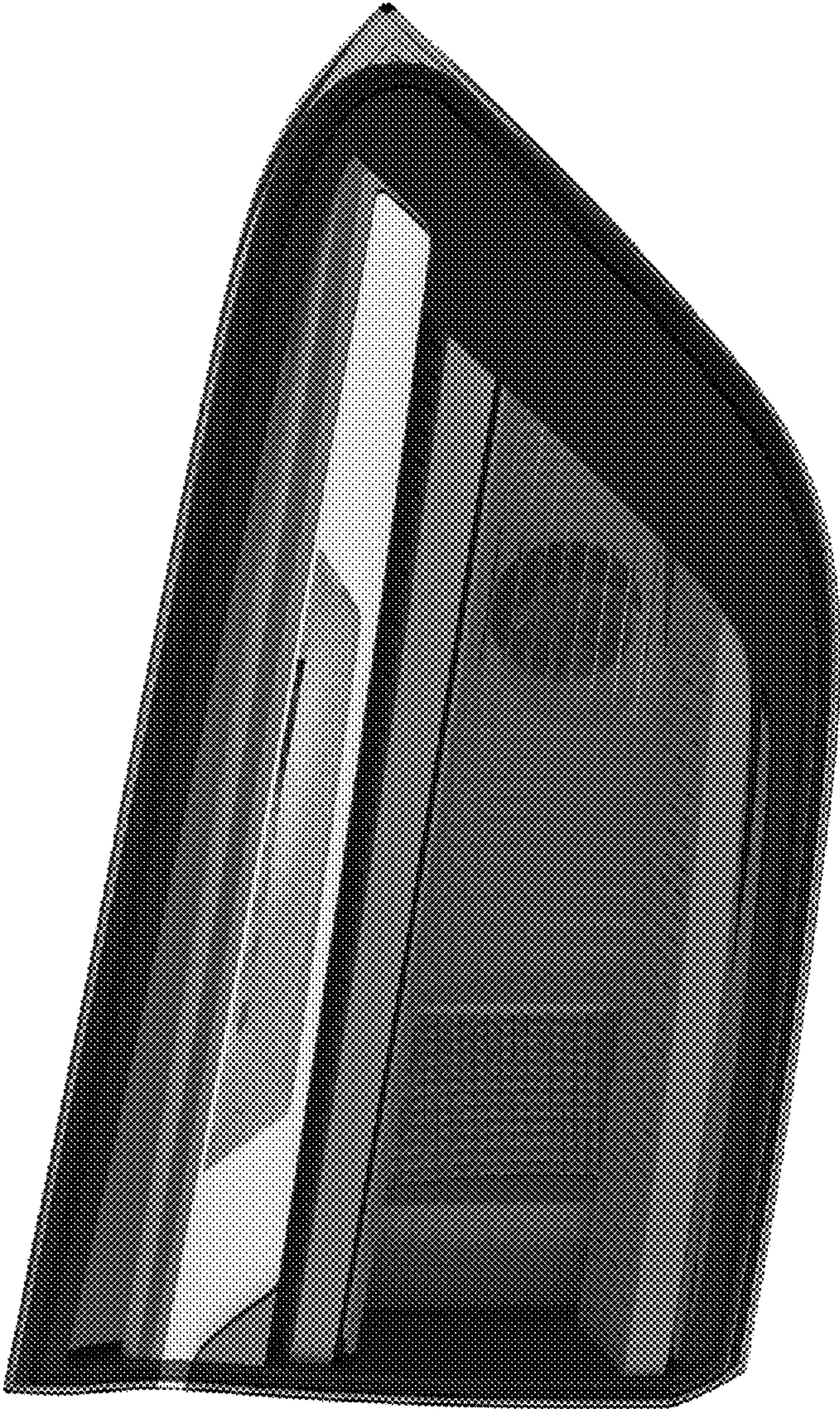


Fig. 3

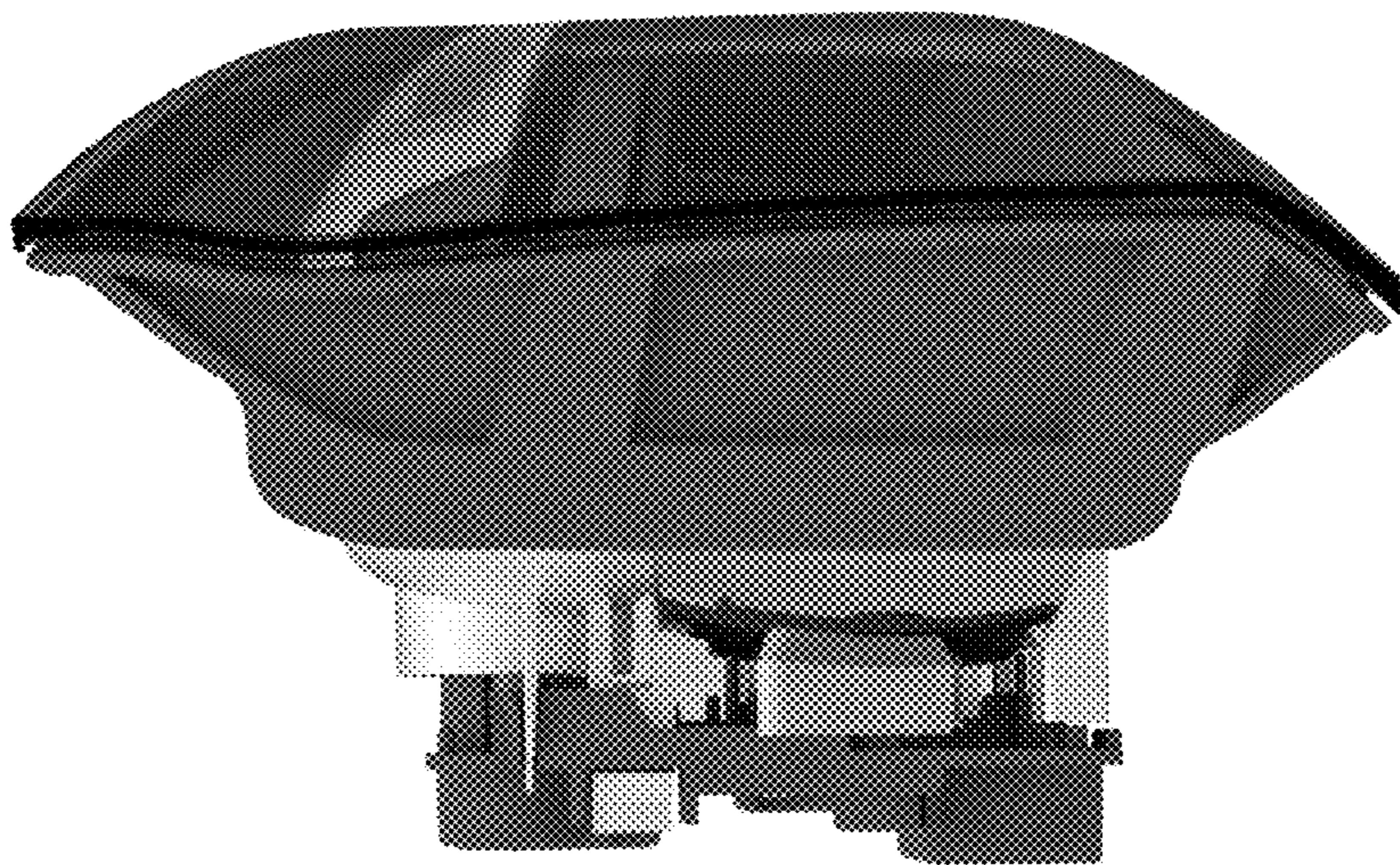


Fig. 4

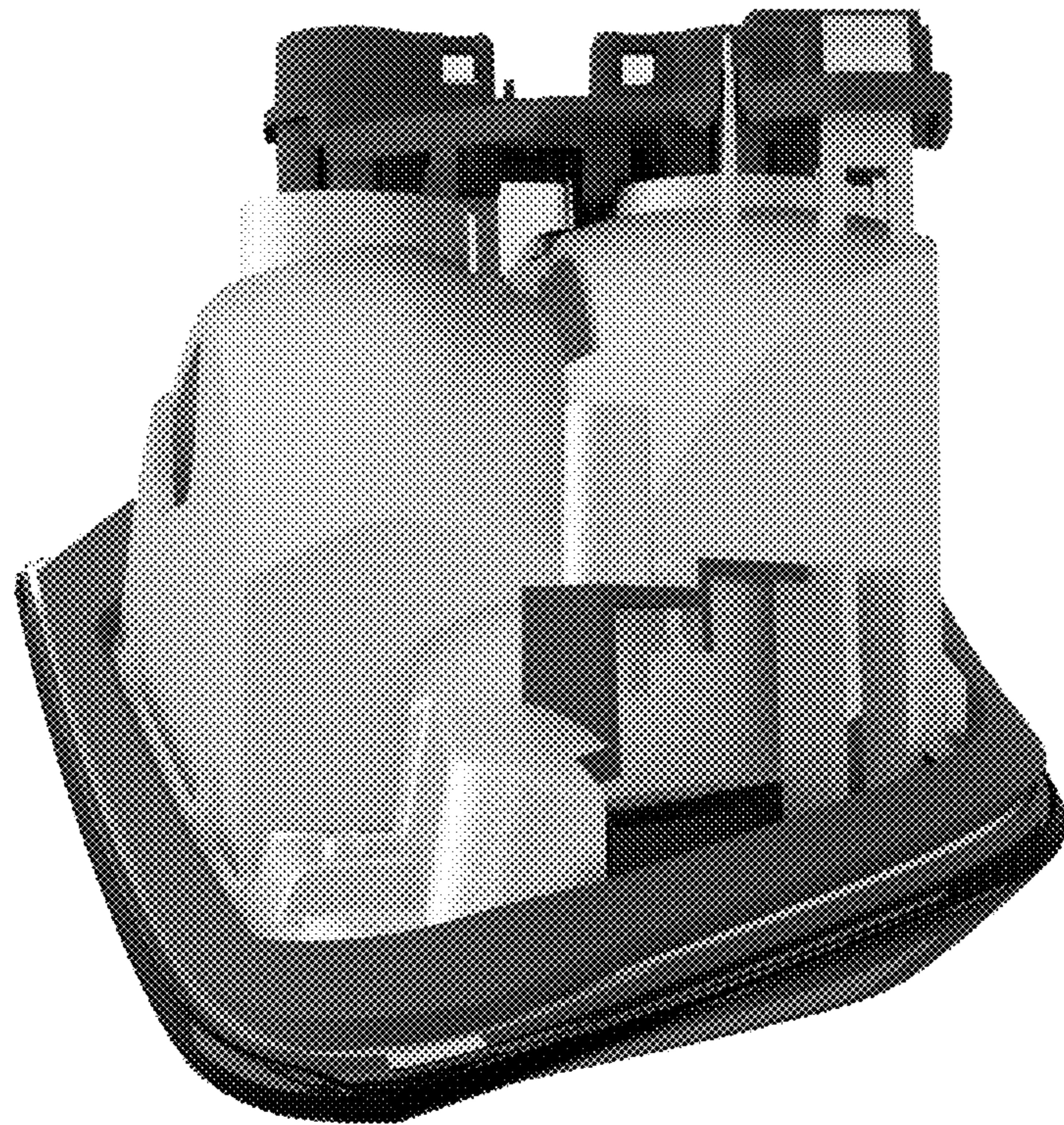


Fig. 5

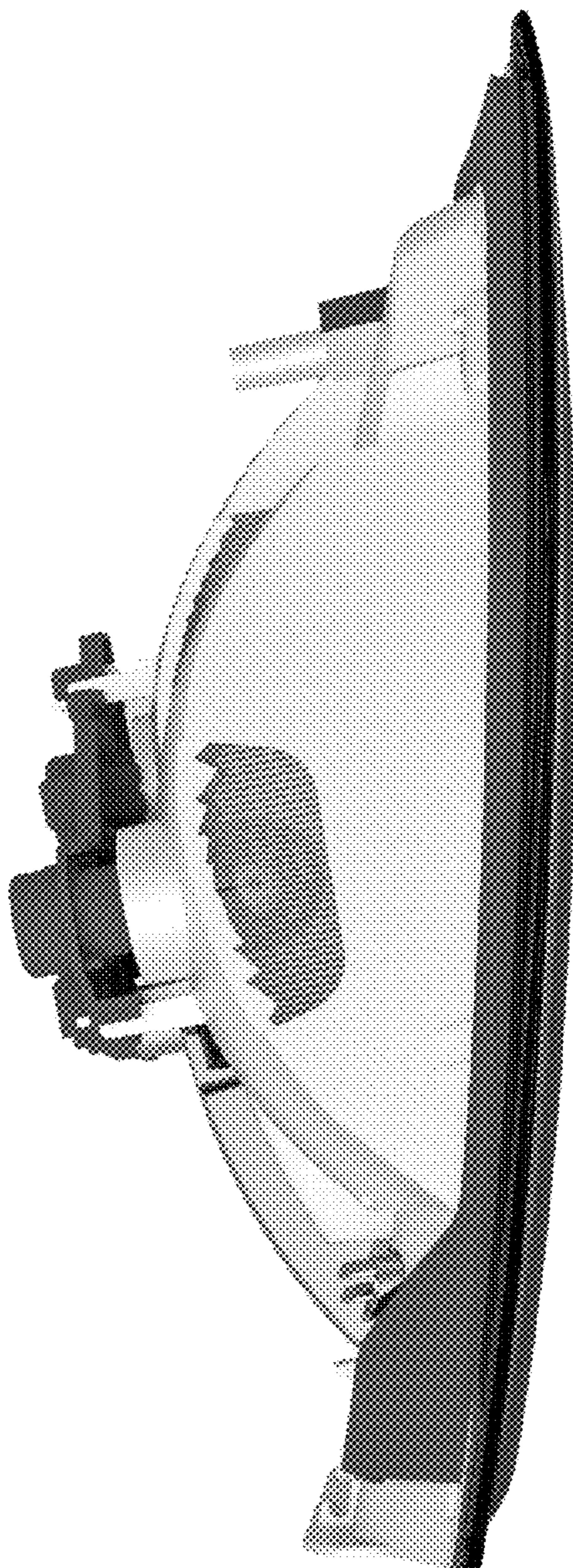


Fig. 6

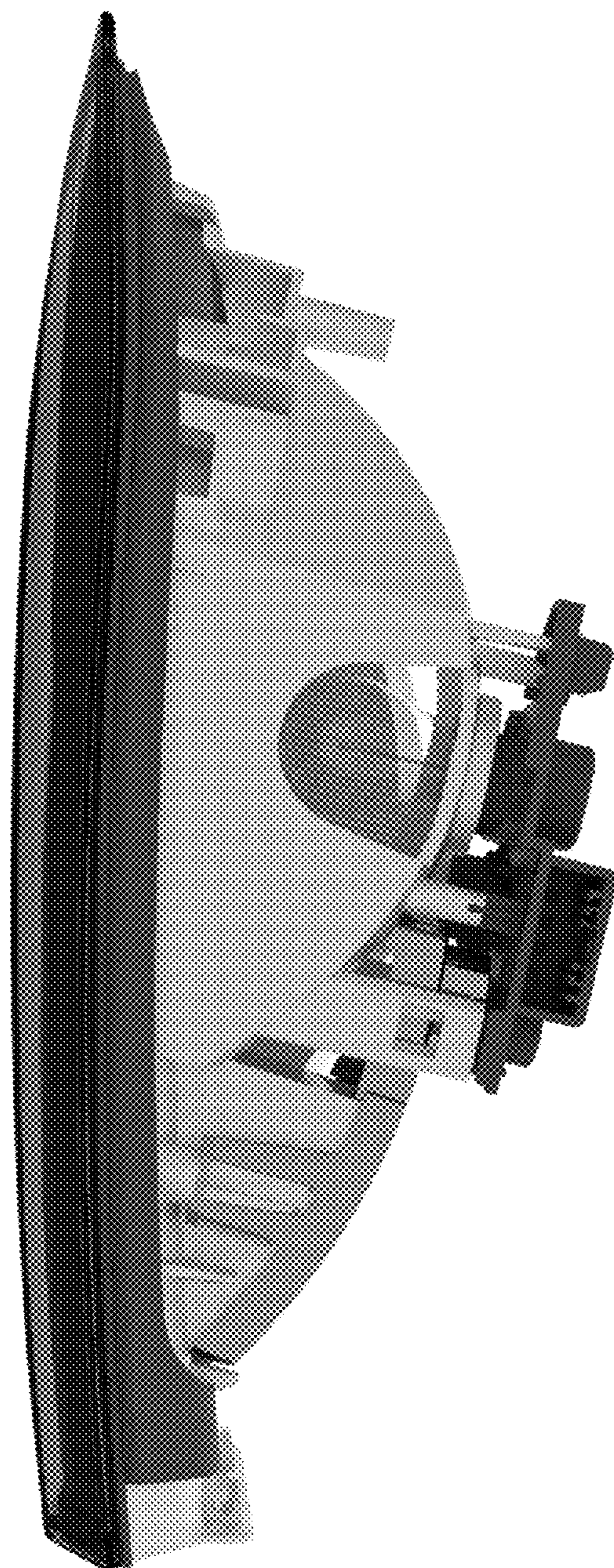


Fig. 7

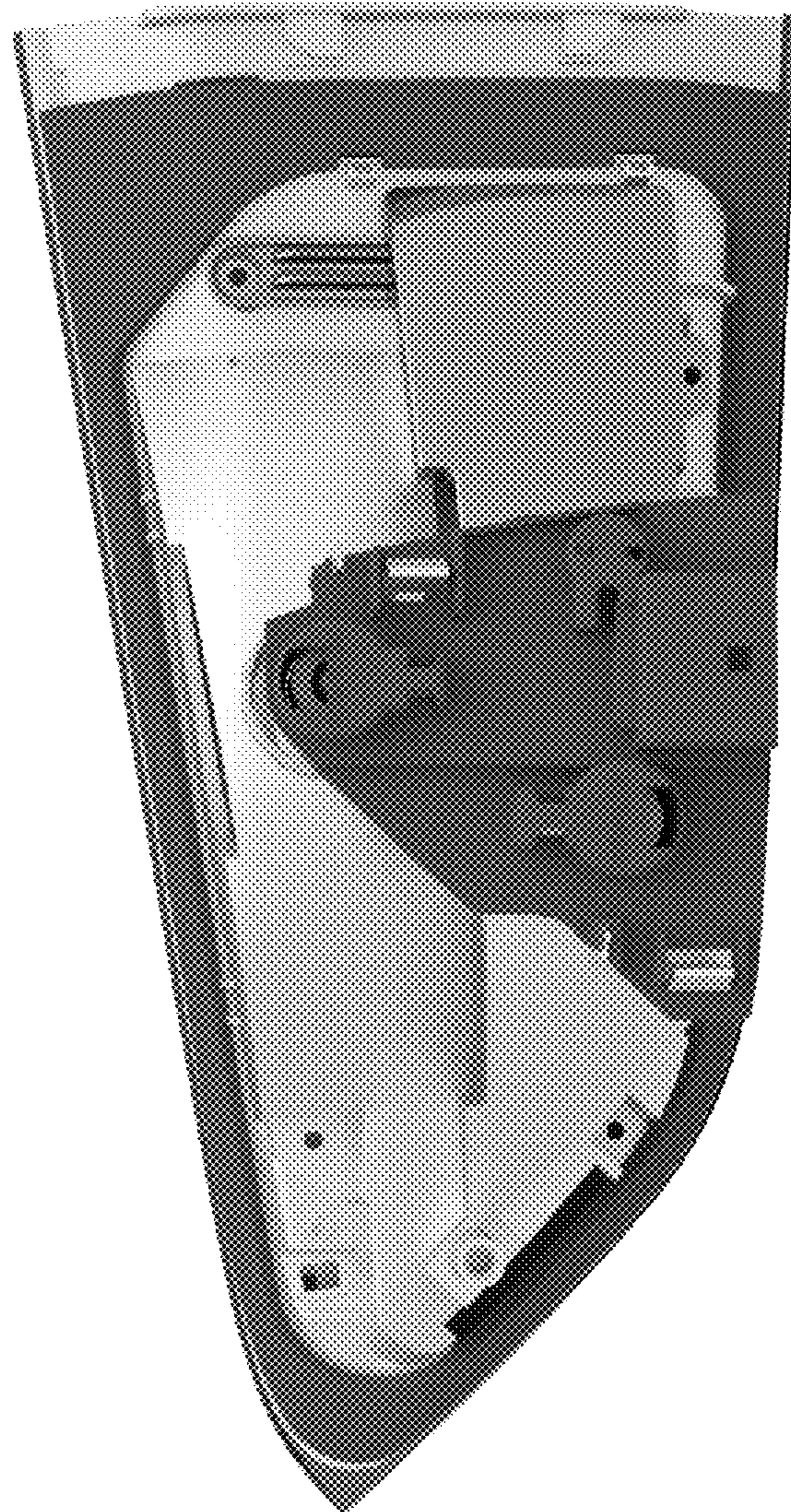


Fig. 8