

US00D764690S

(12) **United States Design Patent**  
**Lai**

(10) **Patent No.:** **US D764,690 S**

(45) **Date of Patent:** **\*\* Aug. 23, 2016**

(54) **AUTOMOBILE BACK LIGHT**

(71) Applicant: **Ching-Tsung Lai**, Tainan (TW)

(72) Inventor: **Ching-Tsung Lai**, Tainan (TW)

(\*\*) Term: **15 Years**

(21) Appl. No.: **29/529,815**

(22) Filed: **Jun. 10, 2015**

(51) **LOC (10) Cl.** ..... **26-07**

(52) **U.S. Cl.**  
USPC ..... **D26/28**

(58) **Field of Classification Search**  
USPC ..... D26/28-36; 362/459-468, 475-478,  
362/485-487  
CPC ..... F21S 48/00; F21S 48/10; F21S 48/115;  
F21S 48/225; F21S 48/1233; F21S 48/1266;  
F21S 48/1388; F21S 48/2268; F21V 21/04  
See application file for complete search history.

(56) **References Cited**

U.S. PATENT DOCUMENTS

D490,916 S	*	6/2004	Pien	.....	D26/28
D566,306 S	*	4/2008	Hsu	.....	D26/28
D584,434 S	*	1/2009	Hsu	.....	D26/28
D593,690 S	*	6/2009	Habib	.....	D26/28

D631,177 S	*	1/2011	Yang	.....	D26/28
D635,283 S	*	3/2011	Kim	.....	D26/28
D637,327 S	*	5/2011	Yang	.....	D26/28
D661,830 S	*	6/2012	de Queiroz	.....	D26/28
D676,165 S	*	2/2013	Lai	.....	D26/28
D714,478 S	*	9/2014	Lai	.....	D26/28
D723,199 S	*	2/2015	Lai	.....	D26/28
D724,243 S	*	3/2015	Lai	.....	D26/28
D738,004 S	*	9/2015	Lai	.....	D26/28

\* cited by examiner

Primary Examiner — Angela J Lee

(74) Attorney, Agent, or Firm — Alexander Chen

(57) **CLAIM**

An ornamental design for an automobile back light, as shown and described.

**DESCRIPTION**

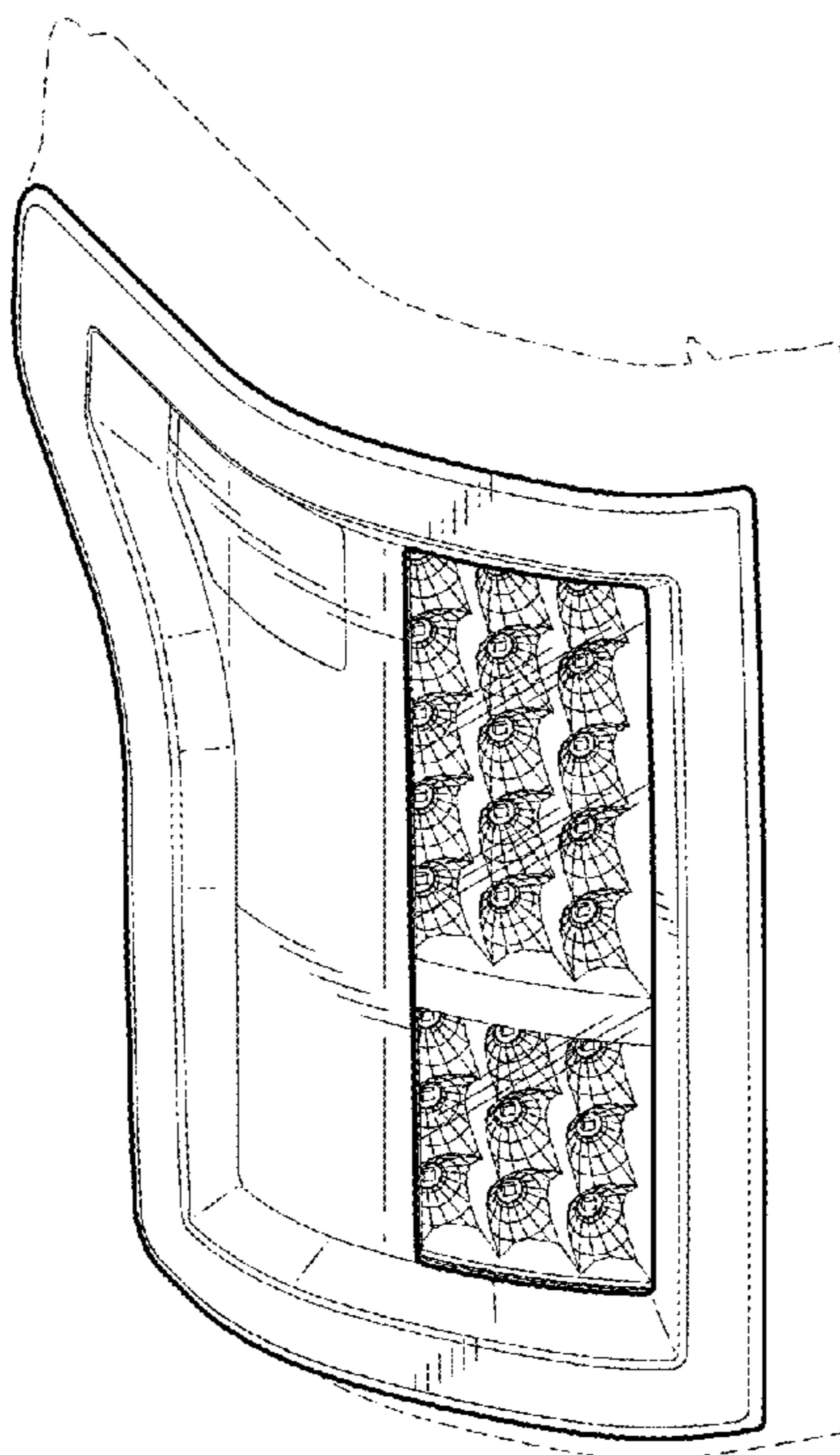
FIG. 1 is a perspective view of an automotive back light unit. The drawings and descriptions represent the left side embodiment. The design also contemplates a mirror symmetrical embodiment on the opposite side of the vehicle. The dash line included denotes environment and is not part of the claimed design.

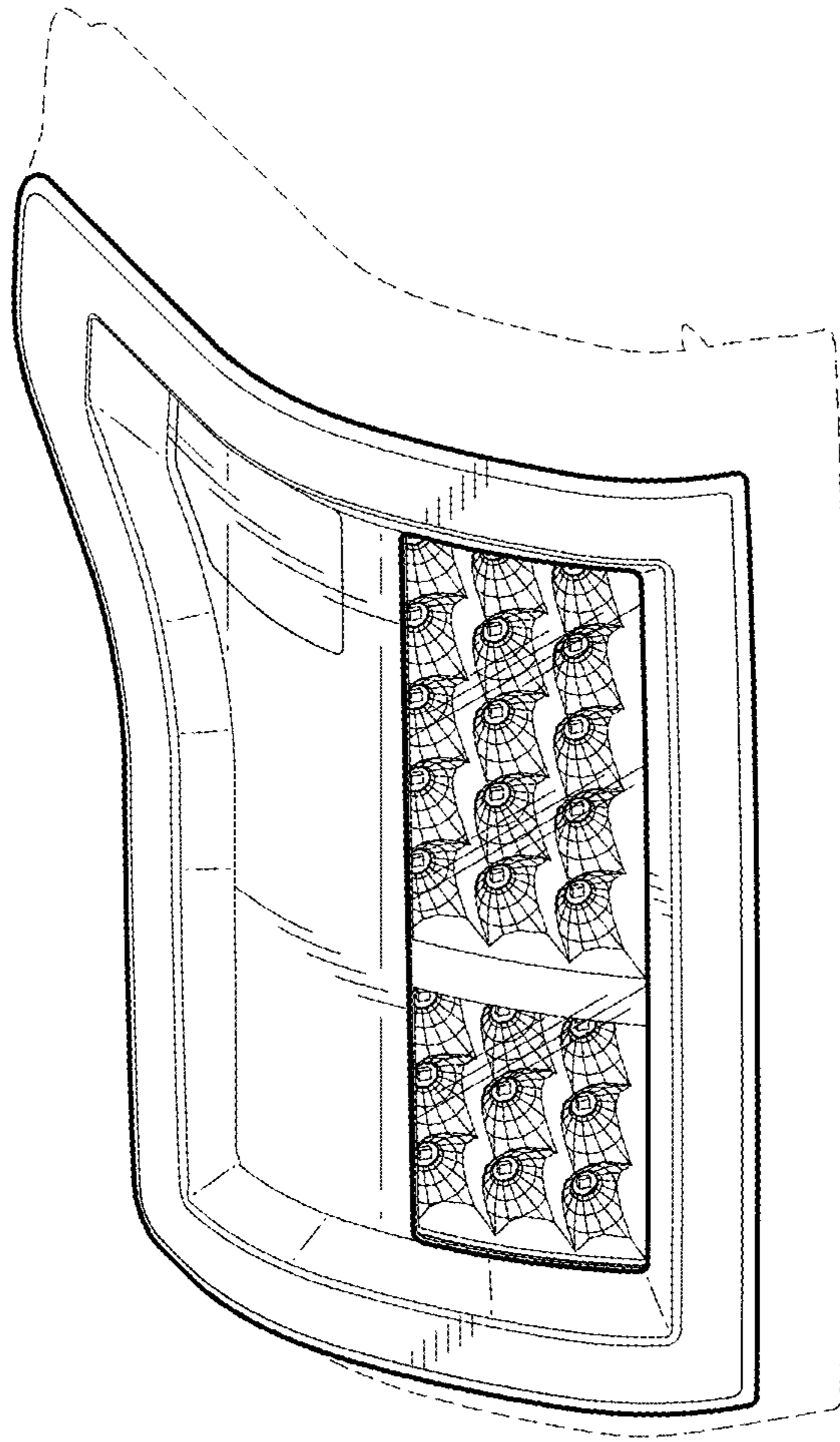
FIG. 2 is a front view thereof;

FIG. 3 is a side view thereof; and,

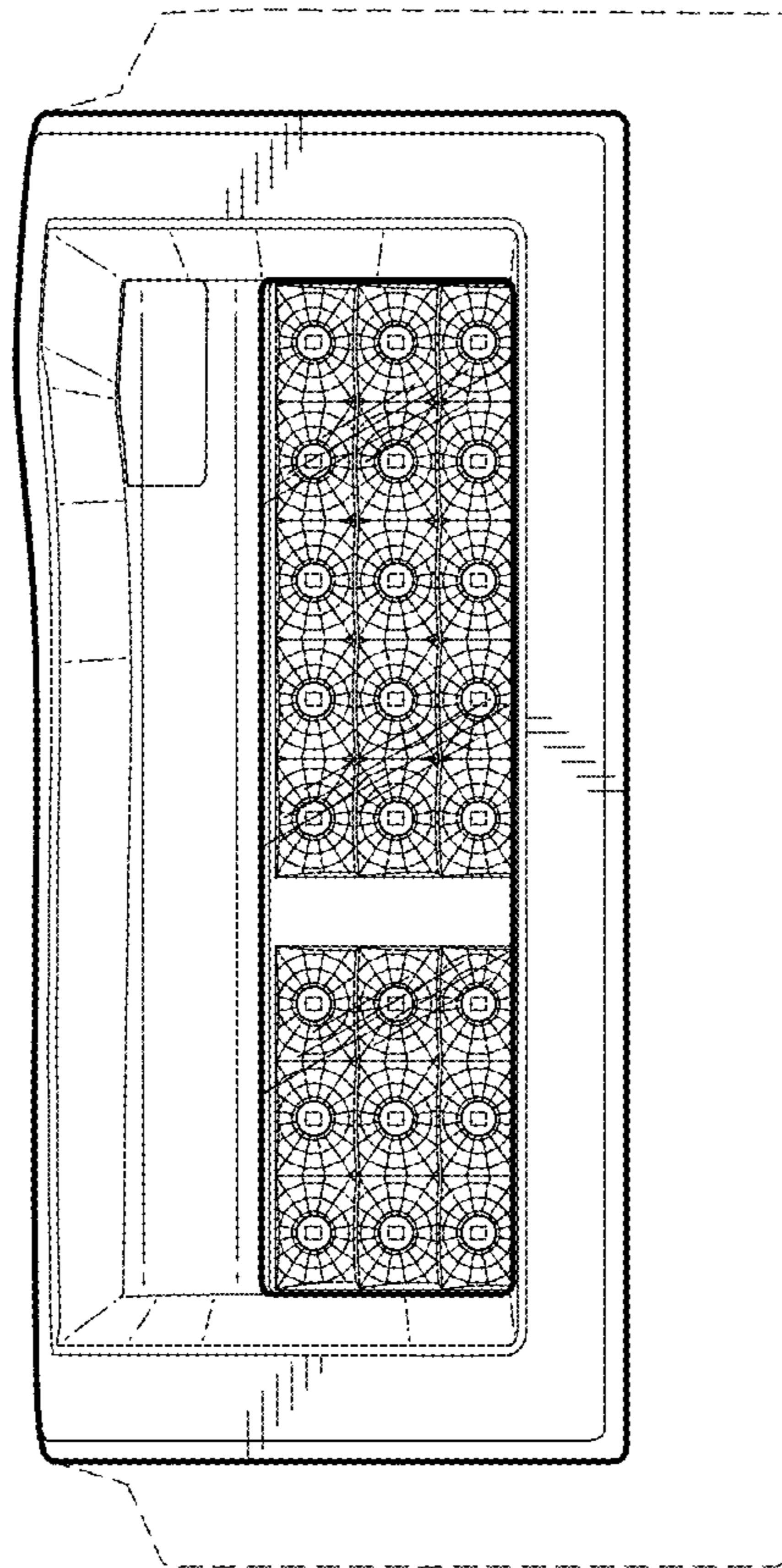
FIG. 4 is a top view thereof.

**1 Claim, 4 Drawing Sheets**

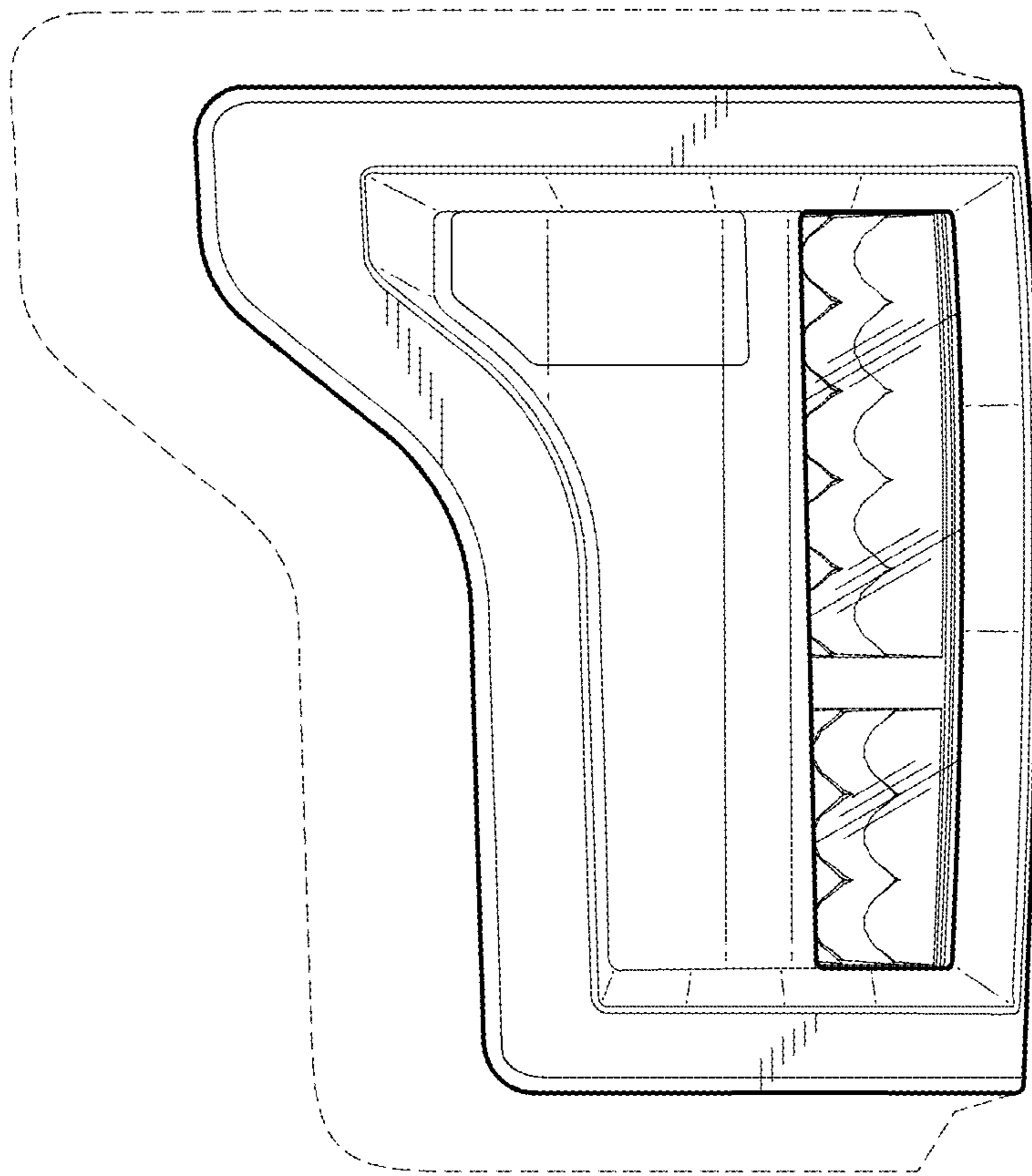




**FIG. 1**



**FIG. 2**



**FIG. 3**



**FIG. 4**