



US00D764688S

(12) **United States Design Patent**  
**Robinson et al.**

(10) **Patent No.:** **US D764,688 S**

(45) **Date of Patent:** **\*\* Aug. 23, 2016**

(54) **ELLIPSE CANDLE HOLDER**

(56) **References Cited**

(71) Applicant: **Smith Mountain Industries, Inc.**,  
Forest, VA (US)

U.S. PATENT DOCUMENTS

(72) Inventors: **Lorene Robinson**, Lynchburg, VA (US);  
**Neohni Warner**, Forest, VA (US);  
**James Ramaker**, Moneta, VA (US)

1,699,843	A	*	1/1929	Herting	.....	A21B 3/13
						229/5.84
D241,105	S	*	8/1976	Krieger et al.	.....	D7/586
D439,683	S	*	3/2001	Poppick	.....	D26/11
D491,288	S	*	6/2004	Young	.....	D9/503
D499,306	S	*	12/2004	Laib	.....	D7/586
D515,873	S	*	2/2006	Vendl	.....	D7/545
D540,112	S	*	4/2007	Nichols	.....	D7/354
D563,728	S	*	3/2008	Welch, III	.....	D7/500
D735,534	S	*	8/2015	Berlepsch	.....	D7/545

(73) Assignee: **Smith Mountain Industries, Inc.**,  
Forest, VA (US)

\* cited by examiner

(\*\*) Term: **14 Years**

*Primary Examiner* — T. Chase Nelson

(21) Appl. No.: **29/502,231**

*Assistant Examiner* — Ania Aman

(22) Filed: **Sep. 12, 2014**

(74) *Attorney, Agent, or Firm* — Frost Brown Todd LLC

(51) **LOC (10) Cl.** ..... **26-01**

(57) **CLAIM**

(52) **U.S. Cl.**

The ornamental design for an ellipse candle holder, as shown and described.

USPC ..... **D26/9**

**DESCRIPTION**

(58) **Field of Classification Search**

USPC ..... D26/6–23, 96; D11/155, 143, 146, 147,  
D11/153, 156, 164; D7/553.6, 545, 542,  
D7/553.7, 587, 598, 6, 7, 8, 9, 10, 11, 13,  
D7/14, 15, 396.2, 526–528, 530–532, 540,  
D7/565, 584, 900, 509, 523, 507, 500, 510,  
D7/524; D99/19; D34/1; D9/462, 516,  
D9/370, 399, 373, 502, 519, 549, 555, 776,  
D9/778

CPC ..... F21V 35/00; F21V 35/003; F21V 35/006;  
F21V 37/00; F21V 37/0008; F21V 37/0058;  
F21V 37/0095; A61L 9/037; A61L 9/127;  
F21S 13/00; F21S 13/12; C11C 5/00; A01M  
1/2088

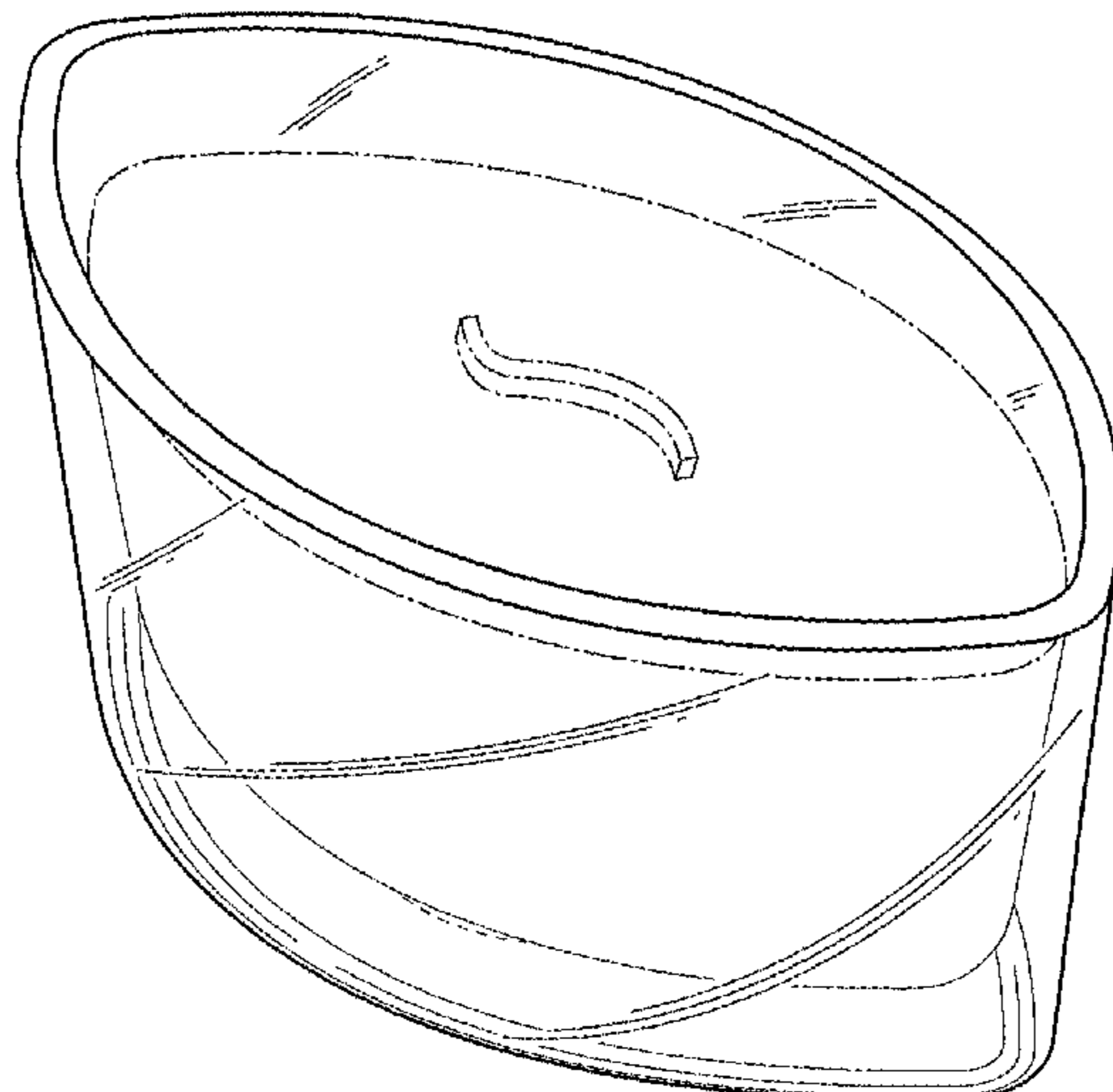
FIG. 1 is a top front perspective view of an ellipse candle holder, shown containing wax and wick;  
FIG. 2 is a top front perspective view of an ellipse candle holder;  
FIG. 3 is a bottom rear perspective view thereof;  
FIG. 4 is a front elevation view of the ellipse candle holder, the opposite side being a mirror image thereof;  
FIG. 5 is a side elevation view of the ellipse candle holder, the opposite side being a mirror image thereof;  
FIG. 6 is a top plan view thereof; and,  
FIG. 7 is a bottom plan view thereof.

The broken lines showing wax and wick are for the purpose of illustrating environmental structure and form no part of the claimed design.

The circular broken lines on the bottom surface of the candle holder depict a portion forming no part of the claimed design.

See application file for complete search history.

**1 Claim, 5 Drawing Sheets**



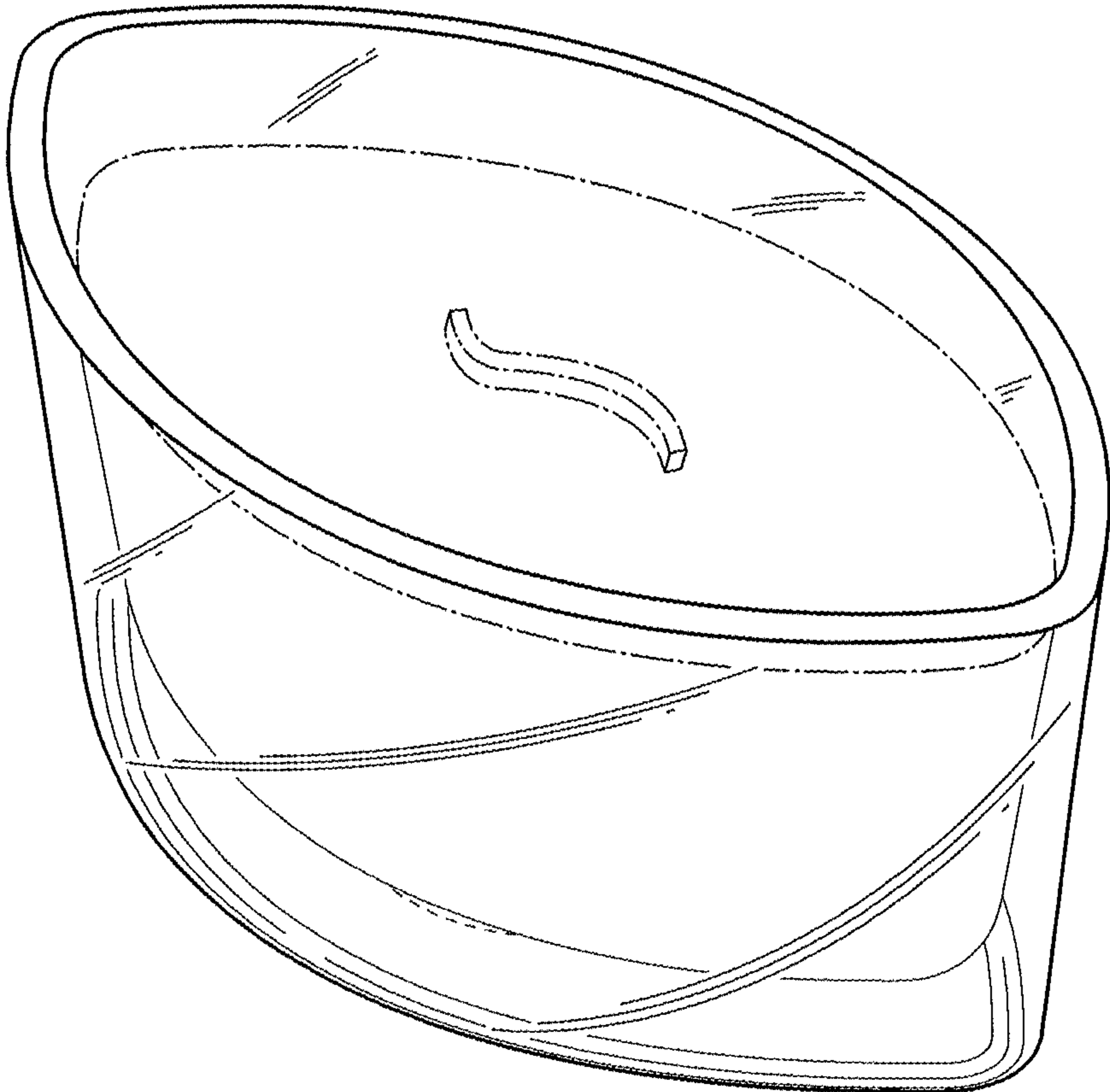


FIG. 1

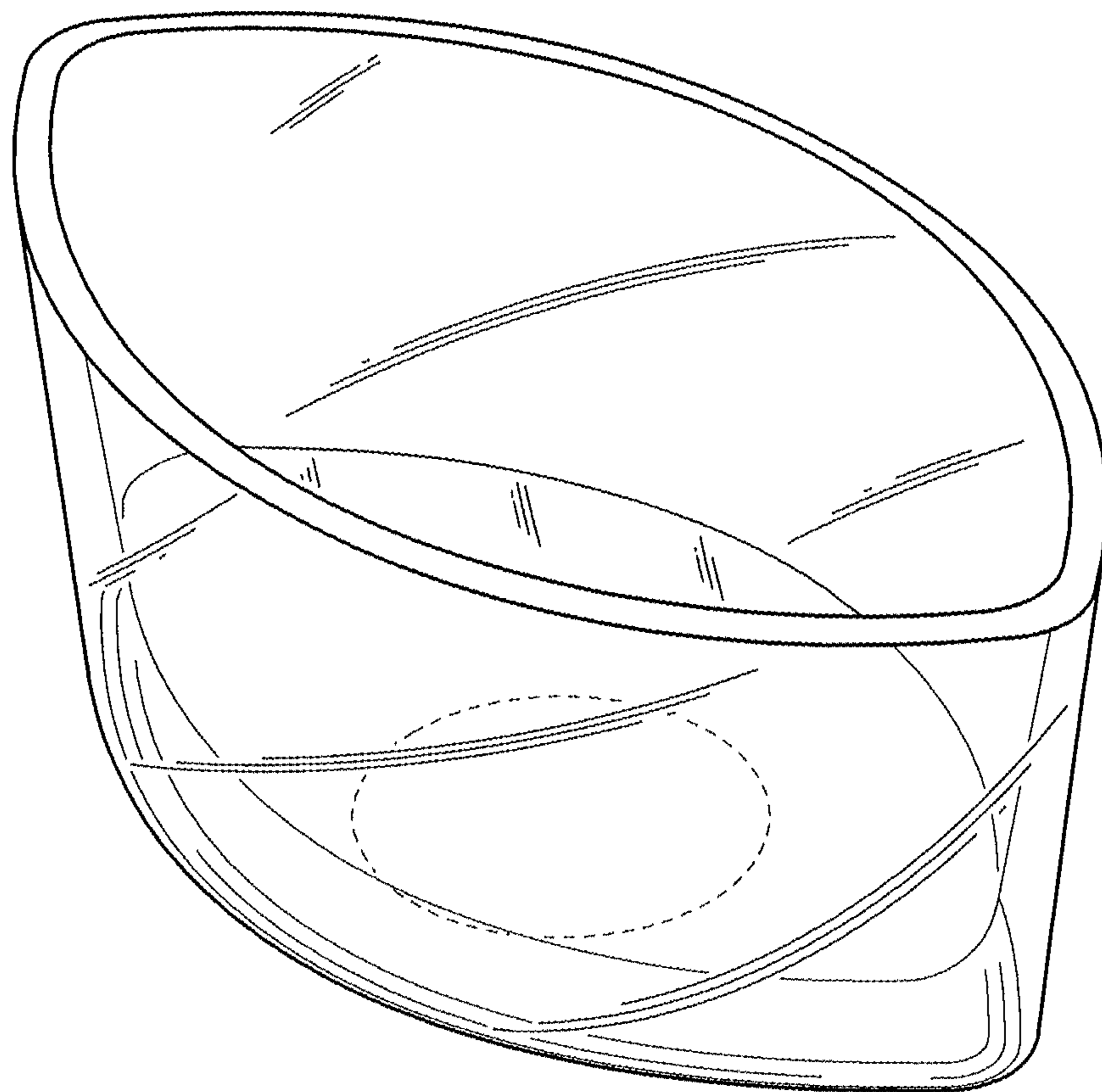


FIG. 2

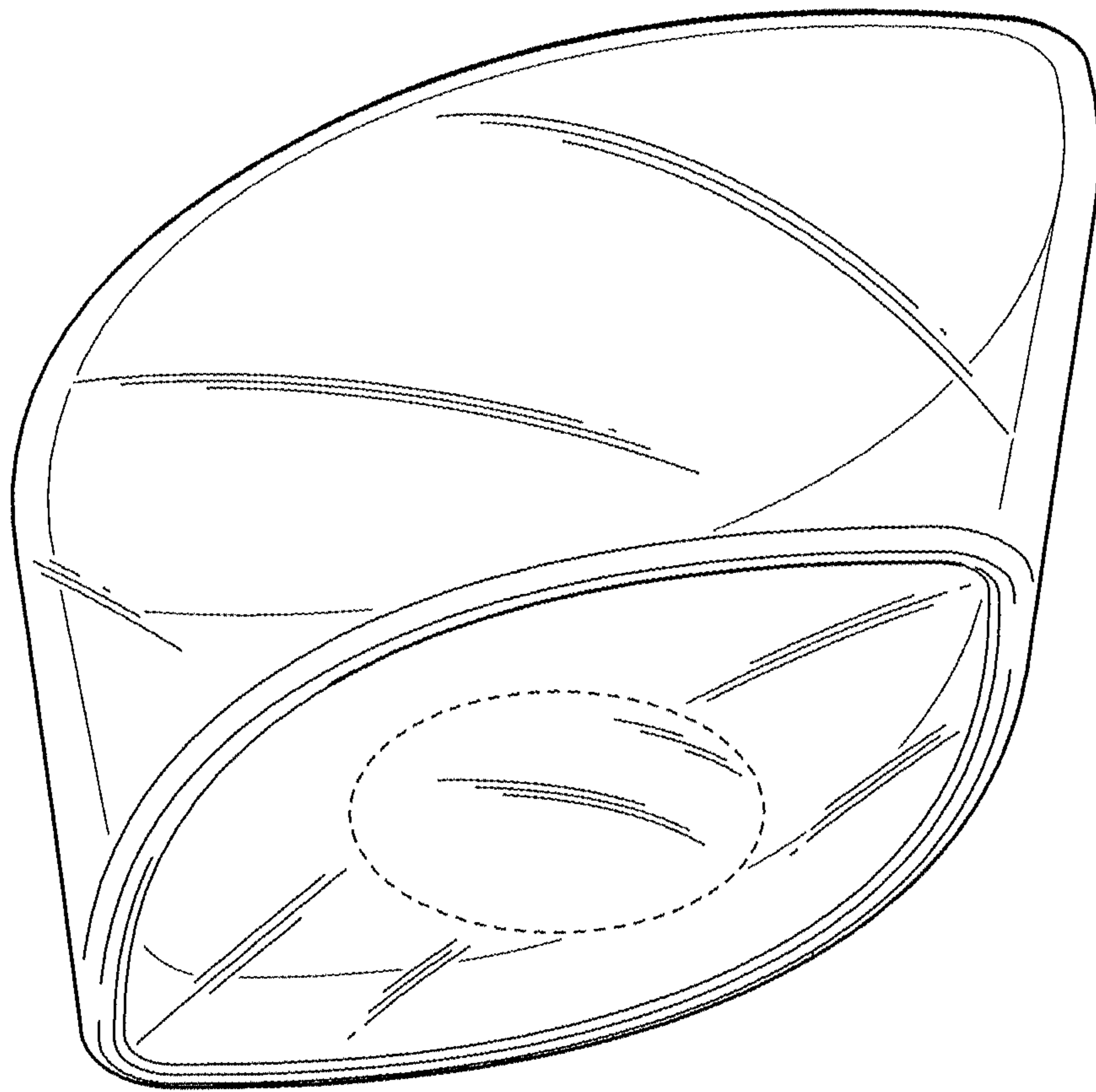


FIG. 3

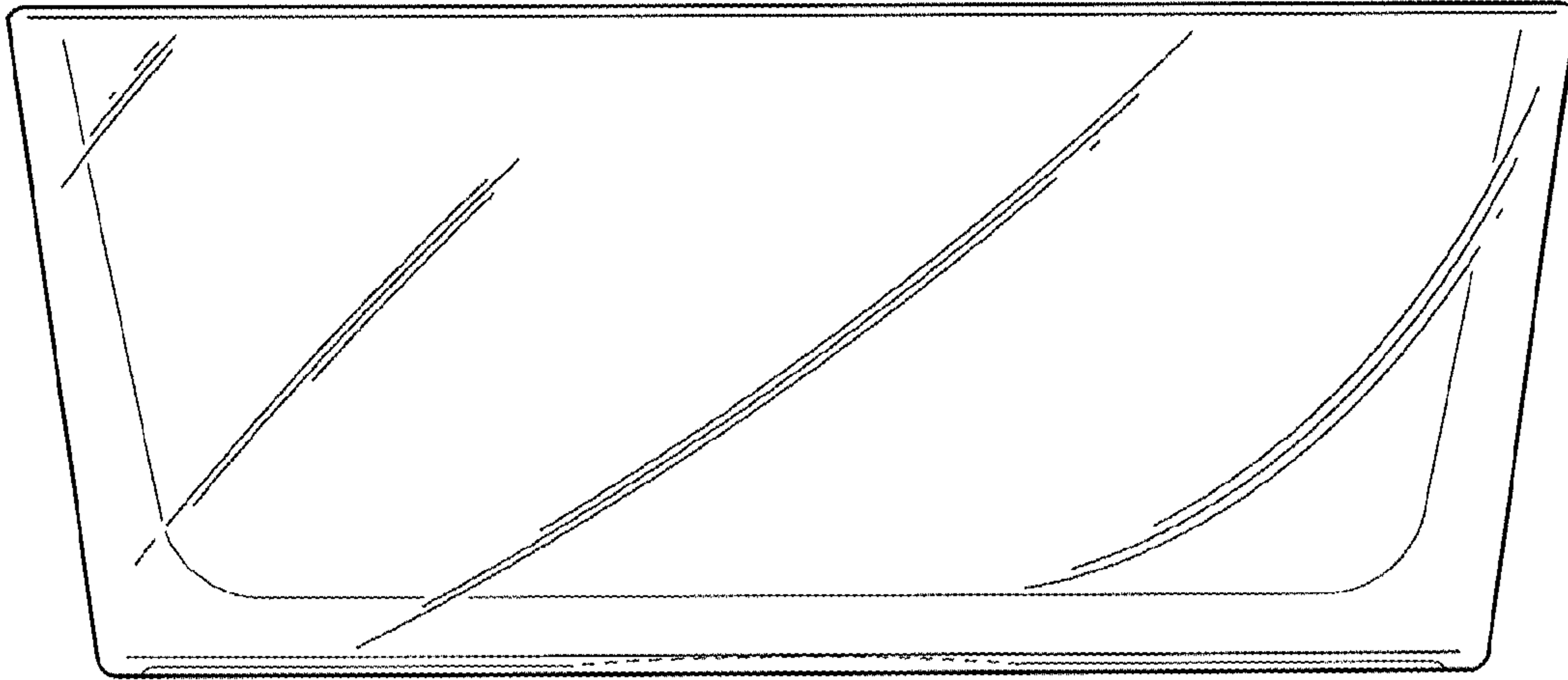


FIG. 4

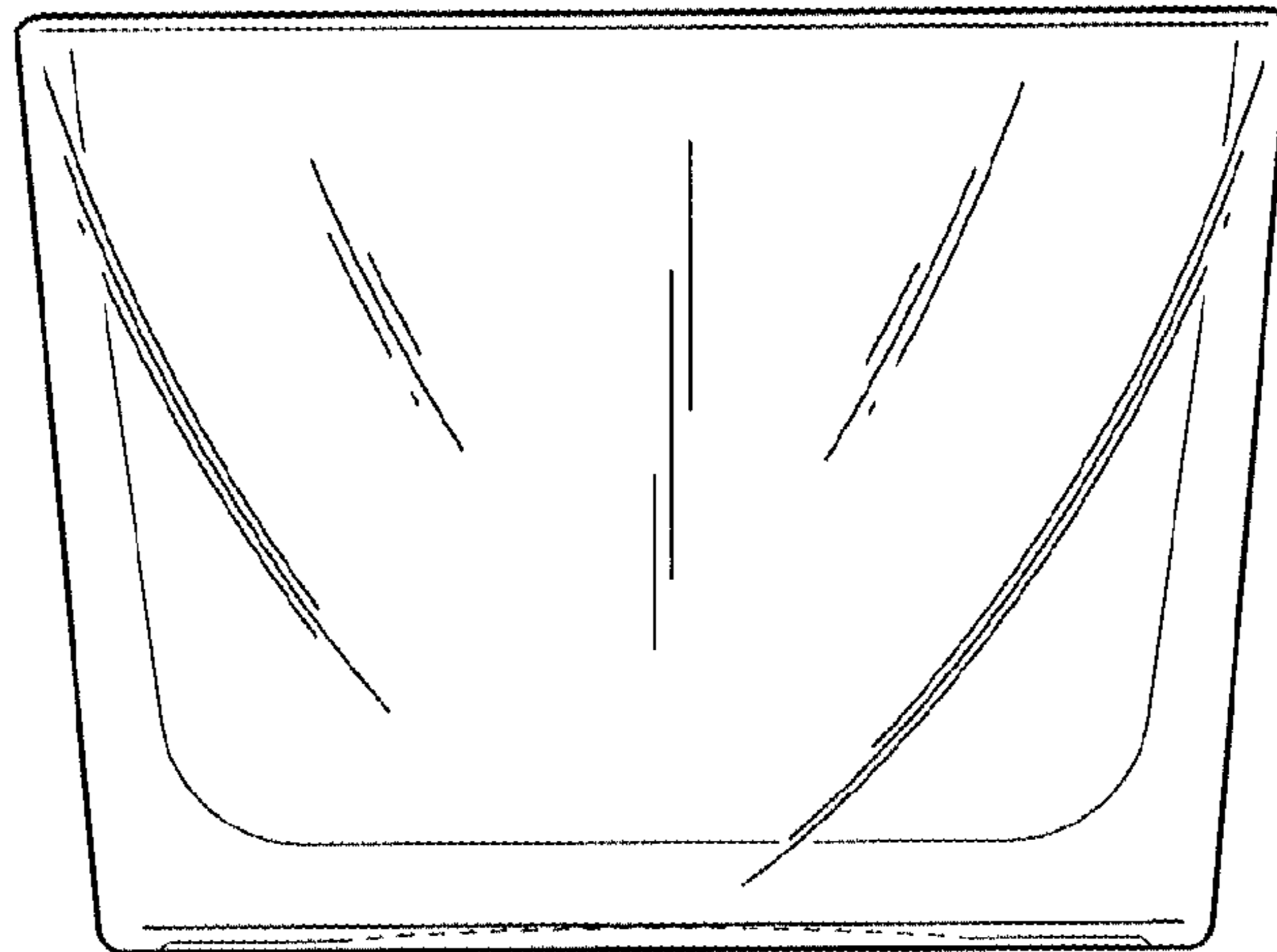


FIG. 5

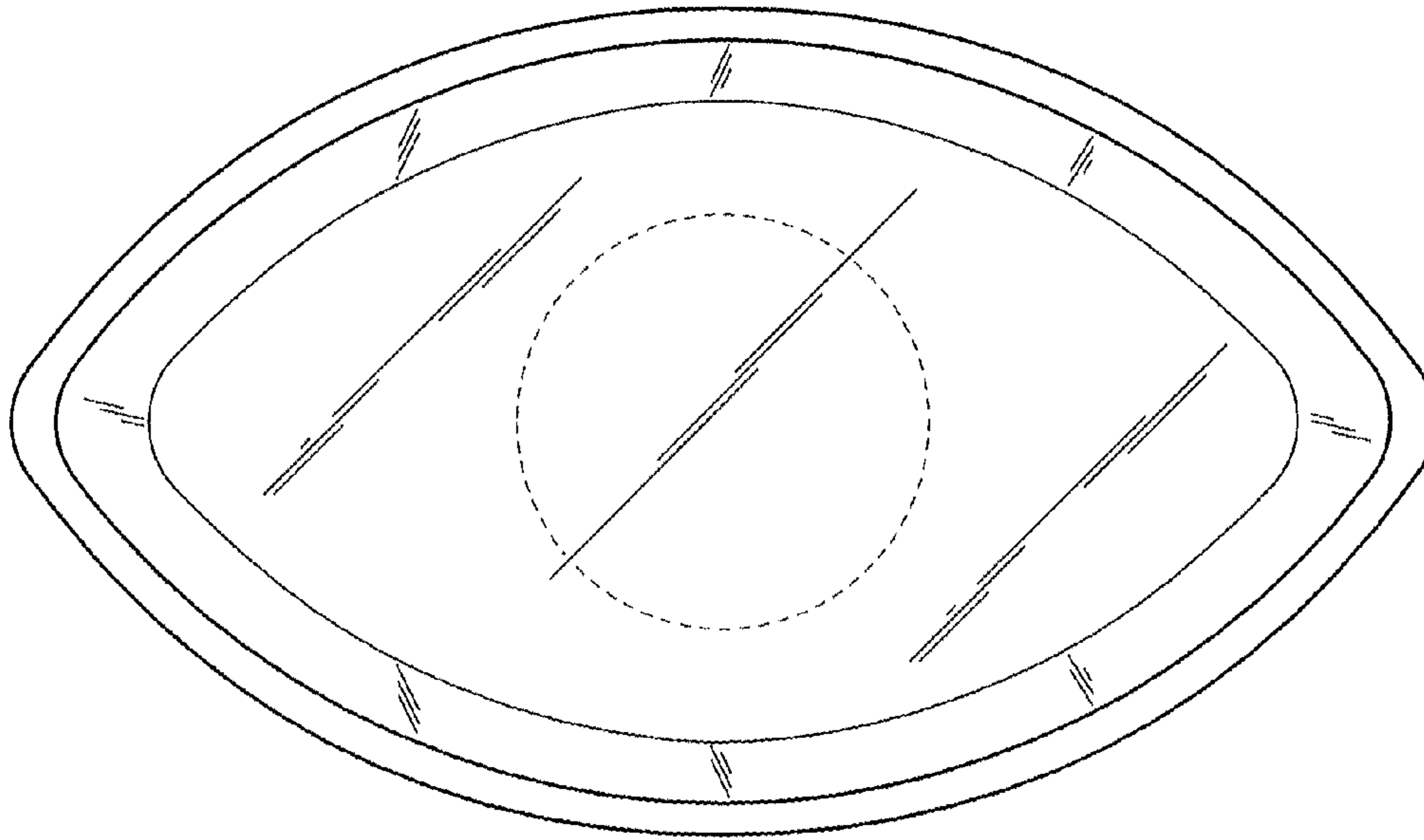


FIG. 6

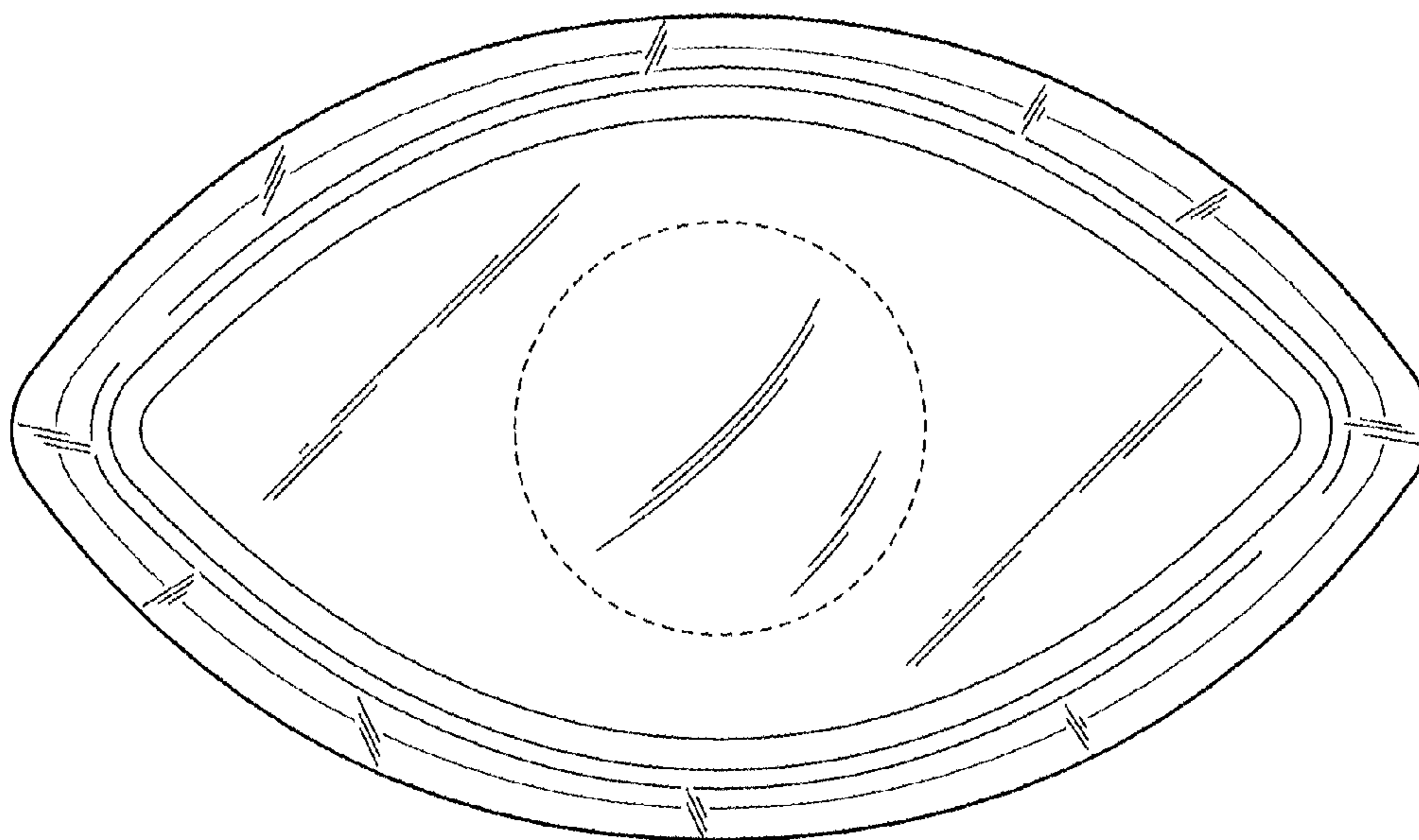


FIG. 7