



US00D764687S

(12) **United States Design Patent** (10) **Patent No.:** **US D764,687 S**
Anderson et al. (45) **Date of Patent:** **** Aug. 23, 2016**

(54) **ROOFING PANEL**
(71) Applicant: **Building Materials Investment Corporation**, Dallas, TX (US)
(72) Inventors: **Eric R. Anderson**, Montclair, NJ (US); **Tommy Rodrigues**, Nutley, NJ (US); **Sudhir Railkar**, Wayne, NJ (US)
(73) Assignee: **Building Materials Investment Corporation**, Dallas, TX (US)
(**) Term: **14 Years**
(21) Appl. No.: **29/515,823**
(22) Filed: **Jan. 27, 2015**
(51) **LOC (10) Cl.** **25-01**
(52) **U.S. Cl.**
USPC **D25/141**
(58) **Field of Classification Search**
USPC D25/138-145, 149-153, 156-159, D25/162-163, 199, 58, 110-111; D8/349, D8/354, 382, 384
CPC E04D 1/00; E04D 1/12; E04D 1/14; E04D 1/16; E04D 1/18; E04D 1/20; E04D 1/24; E04D 1/26; E04D 1/28; E04D 1/34; E04D 1/265; E04D 2001/3461; E04F 13/08; E04F 13/0862; E04F 13/0864; E04F 13/0873; E04F 13/0894; E04F 13/24; E04F 13/076; E04F 13/147; E04F 13/185
See application file for complete search history.

3,720,031 A 3/1973 Wilson et al.
3,760,546 A 9/1973 Martin et al.
3,968,610 A * 7/1976 Medow E04F 13/0875
52/314
D253,724 S * 12/1979 Yanoh D25/140
D263,256 S * 3/1982 Morse D25/140
4,343,126 A 8/1982 Hoofe
D275,325 S * 8/1984 Gustavsson D25/140

(Continued)

OTHER PUBLICATIONS

Polished Gray Double Roman Building Roof Tiles/Roofing Panels, posted at Starfoo Metal Roofing systems, posted on Mar. 29, 2014 [online], [site visited Feb. 29, 2016]. Available from the Internet, < URL: <http://www.metal-roofingtiles.com/sale-2058025-polished-gray-double-roman-building-heat-insulation-roof-tiles-roofing-panel.html>>.*

Primary Examiner — Catheri Oliver-Garcia
Assistant Examiner — Rebekah Caruso
(74) *Attorney, Agent, or Firm* — Womble Carlyle Sandridge & Rice LLP

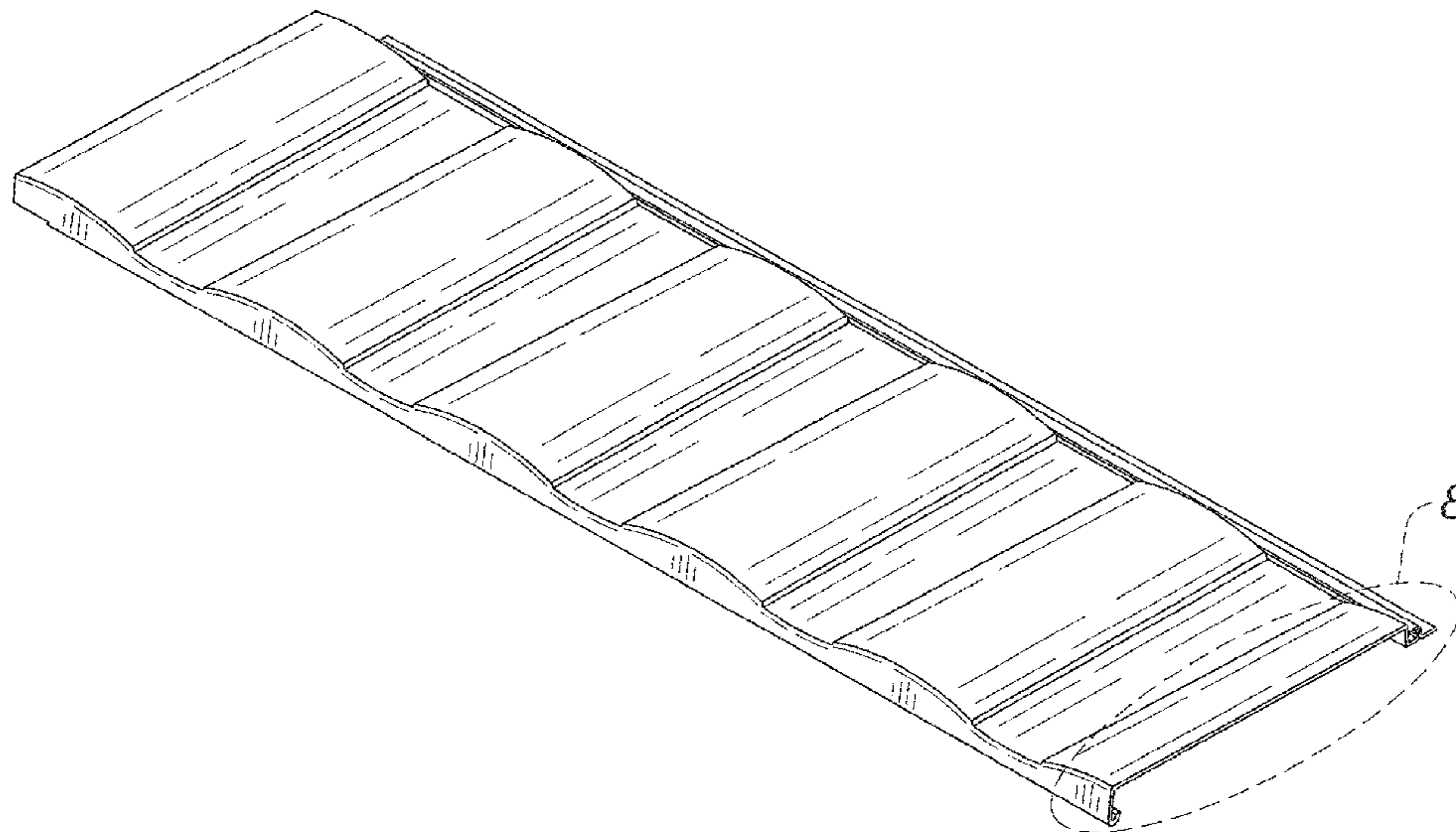
(57) **CLAIM**
The ornamental design for a roofing panel, as shown and described.

DESCRIPTION

FIG. 1 is a perspective view of a roofing panel in accordance with our invention.
FIG. 2 is a front view of the roofing panel of FIG. 1.
FIG. 3 is a top view of the roofing panel of FIG. 1.
FIG. 4 is a back view of the roofing panel of FIG. 1.
FIG. 5 is a bottom view of the roofing panel of FIG. 1.
FIG. 6 is a right side view of the roofing panel of FIG. 1.
FIG. 7 is a left side view of the roofing panel of FIG. 1; and, FIG. 8 is an enlarged perspective view of the right end portion of the roofing panel of FIG. 1.

1 Claim, 4 Drawing Sheets

(56) **References Cited**
U.S. PATENT DOCUMENTS
D203,566 S * 1/1966 Hayes D25/140
3,347,001 A 10/1967 Cosden
3,363,380 A 1/1968 Merrill
3,583,117 A * 6/1971 Roach E04D 13/16
52/309.1



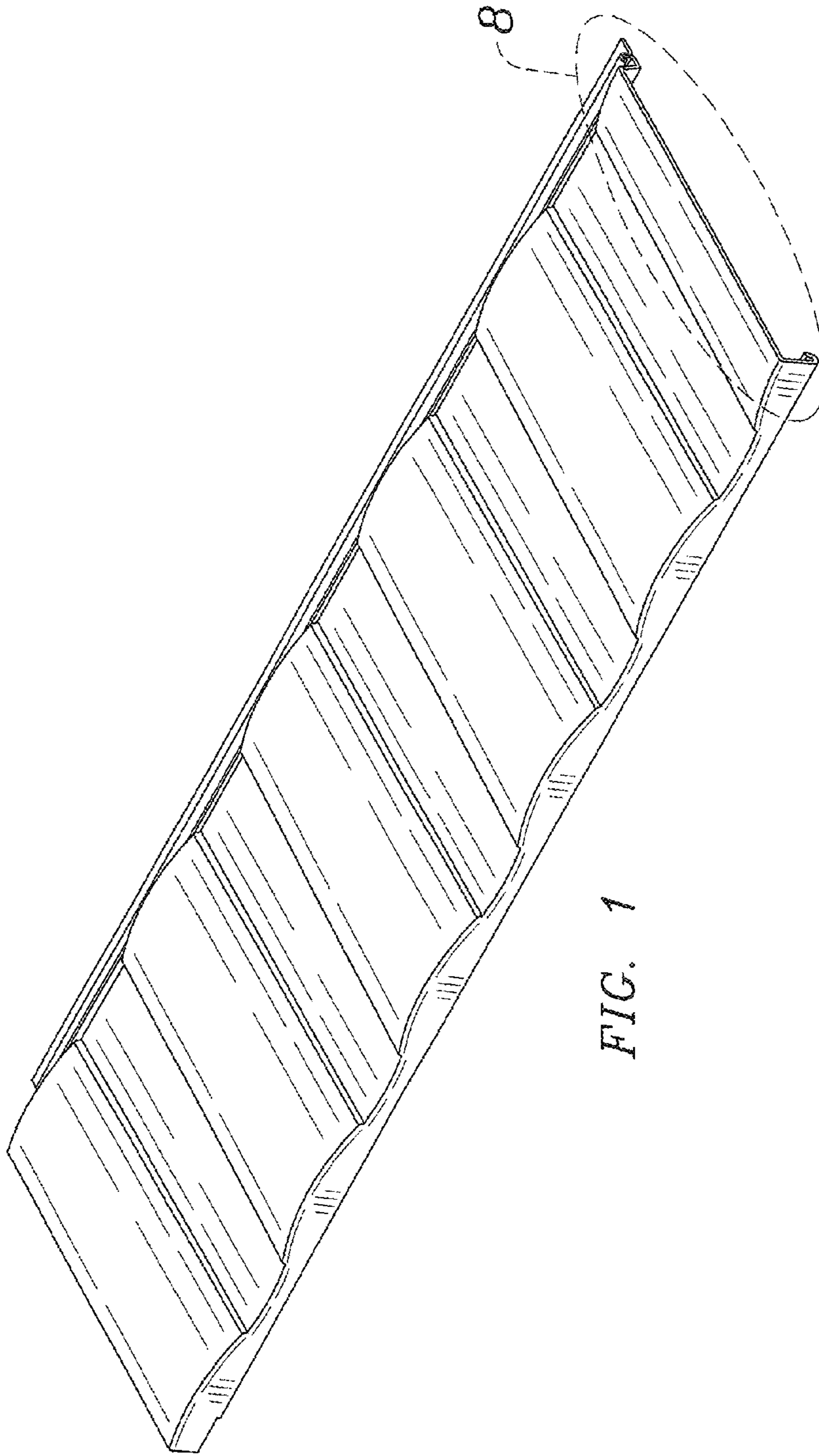
(56)

References Cited

U.S. PATENT DOCUMENTS

5,074,093	A	12/1991	Meadows			
5,598,677	A	2/1997	Rehm			
5,664,451	A	9/1997	Schultz			
D402,064	S *	12/1998	Hahn	D25/140		
D526,727	S *	8/2006	Ross	D25/141		
D527,835	S *	9/2006	Ross	D25/141		
7,246,474	B2	7/2007	Dombek et al.			
D608,916	S *	1/2010	Simmons	D25/140		
D629,532	S *	12/2010	Cornett	D25/140		
8,074,417	B2	12/2011	Trabue et al.			
2005/0210808	A1	9/2005	Larson et al.			
2014/0190104	A1	7/2014	Nicholson			

* cited by examiner



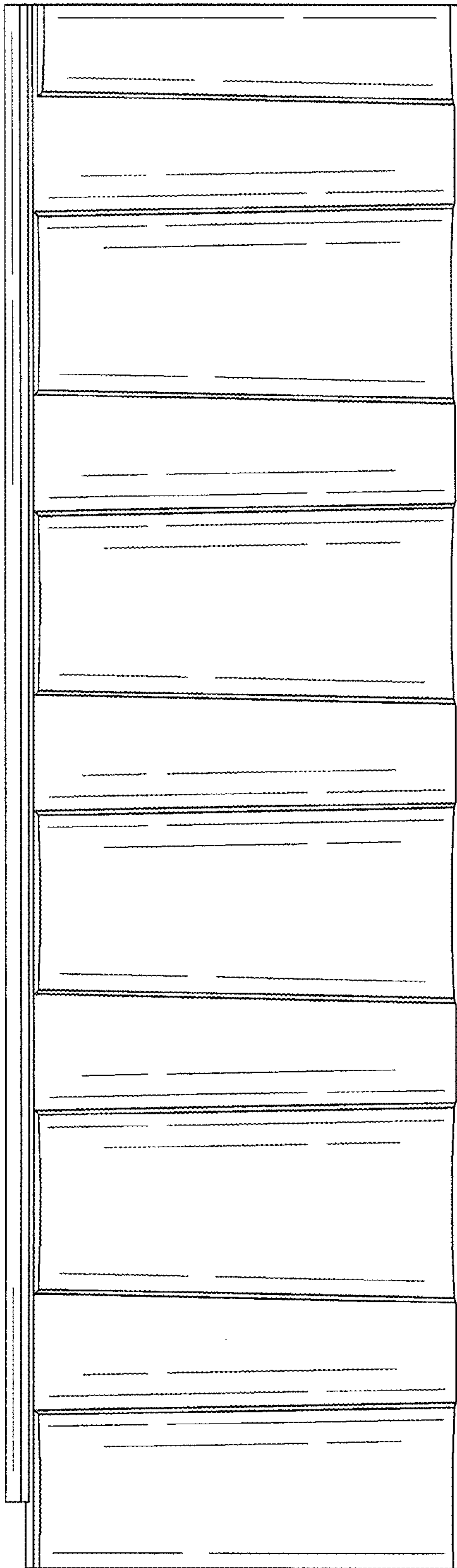


FIG. 3



FIG. 4

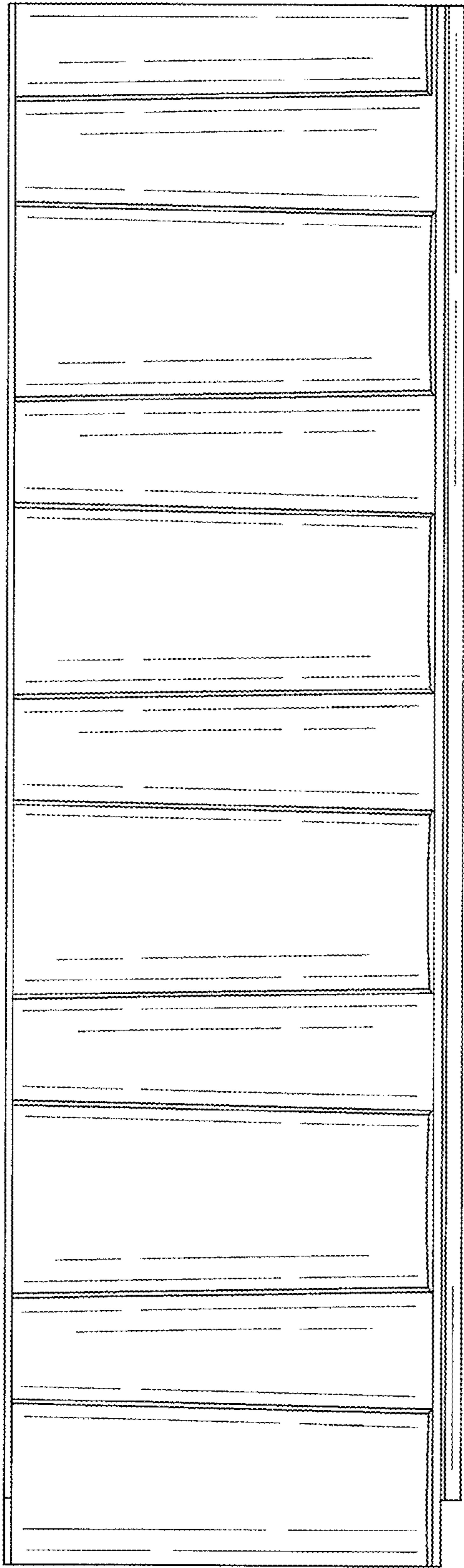


FIG. 5

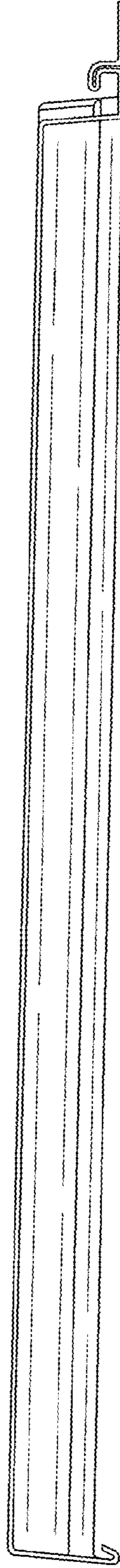


FIG. 6

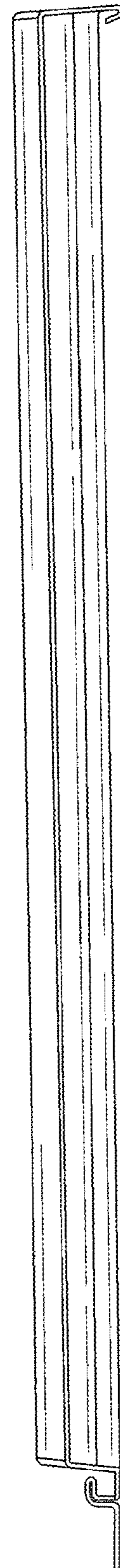


FIG. 7

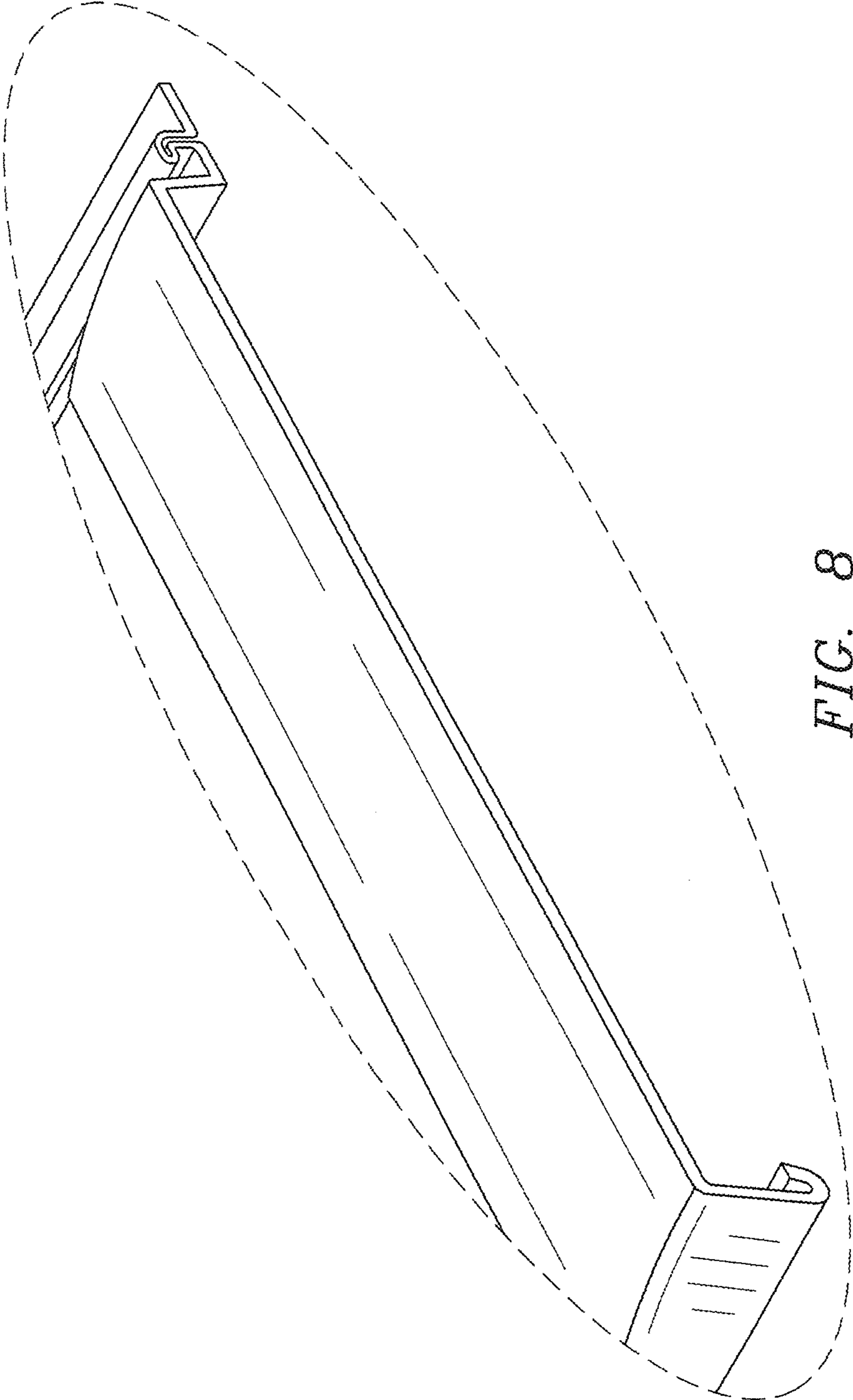


FIG. 8