



US00D764683S

(12) **United States Design Patent**
Metcalf

(10) **Patent No.:** **US D764,683 S**
(45) **Date of Patent:** **** Aug. 23, 2016**

(54) **PANEL WITH HONEYCOMB PATTERN**

- (71) Applicant: **3form, LLC**, Salt Lake City, UT (US)
- (72) Inventor: **Elizabeth Egan Metcalf**, Salt Lake City, UT (US)
- (73) Assignee: **3Form, LLC**, Salt Lake City, UT (US)
- (**) Term: **14 Years**
- (21) Appl. No.: **29/492,929**
- (22) Filed: **Jun. 4, 2014**

Related U.S. Application Data

- (63) Continuation of application No. 14/120,421, filed on Mar. 11, 2014, now abandoned.
- (51) **LOC (10) Cl.** **25-01**
- (52) **U.S. Cl.**
USPC **D25/103; D25/138**
- (58) **Field of Classification Search**
USPC D25/102–105, 110, 111, 138–145,
D25/149–153, 156, 157, 163, 199, 35, 45,
D25/55, 58, 60; D5/1–5, 7, 20, 32, 51,
D5/54–56, 58, 62–64, 99; D6/332, 575;
D20/10, 42, 99; 428/13, 67, 385
CPC B62B 2419/00; B62B 2419/04; B62B
2451/00; B62B 2607/00; Y10T 428/24;
Y10T 428/24942; Y10T 428/24967; Y10T
428/31786; Y10T 428/3179; Y10T 428/31971;
Y10T 428/31986
See application file for complete search history.

(56) **References Cited**

U.S. PATENT DOCUMENTS

- D188,598 S * 8/1960 Redcliffe D25/163
- 3,832,267 A * 8/1974 Liu A61F 13/00017
264/210.2
- D239,855 S * 5/1976 Schroeder D5/51

(Continued)

OTHER PUBLICATIONS

Hexagonal Pattern Including Seamless Sample in Swatch Panel. shutterstock.com [online] 1 [retrieved on Aug. 28, 2015]. Retrieved from Internet: <<http://www.shutterstock.com/pic-178230962/stock-vector-hexagon-pattern-including-seamless-sample-in-swatch-panel.html>>.*

(Continued)

Primary Examiner — Susan Bennett Hattan

Assistant Examiner — Marie Fast Horse

(74) *Attorney, Agent, or Firm* — Workman Nydegger

(57) **CLAIM**

The ornamental design for a panel with honeycomb pattern, as shown and described.

DESCRIPTION

FIG. 1 is a front view of a panel with honeycomb pattern as used in a partition structure;

FIG. 2 is an enlarged front perspective, sectional view of the panel with honeycomb pattern taken from the shaded area of FIG. 1;

FIG. 3 is an enlarged front elevational, sectional view thereof, reference to the sectional side and plan views of FIGS. 4-7;

FIG. 4 is an enlarged left side sectional view taken along line 4-4 of FIG. 3;

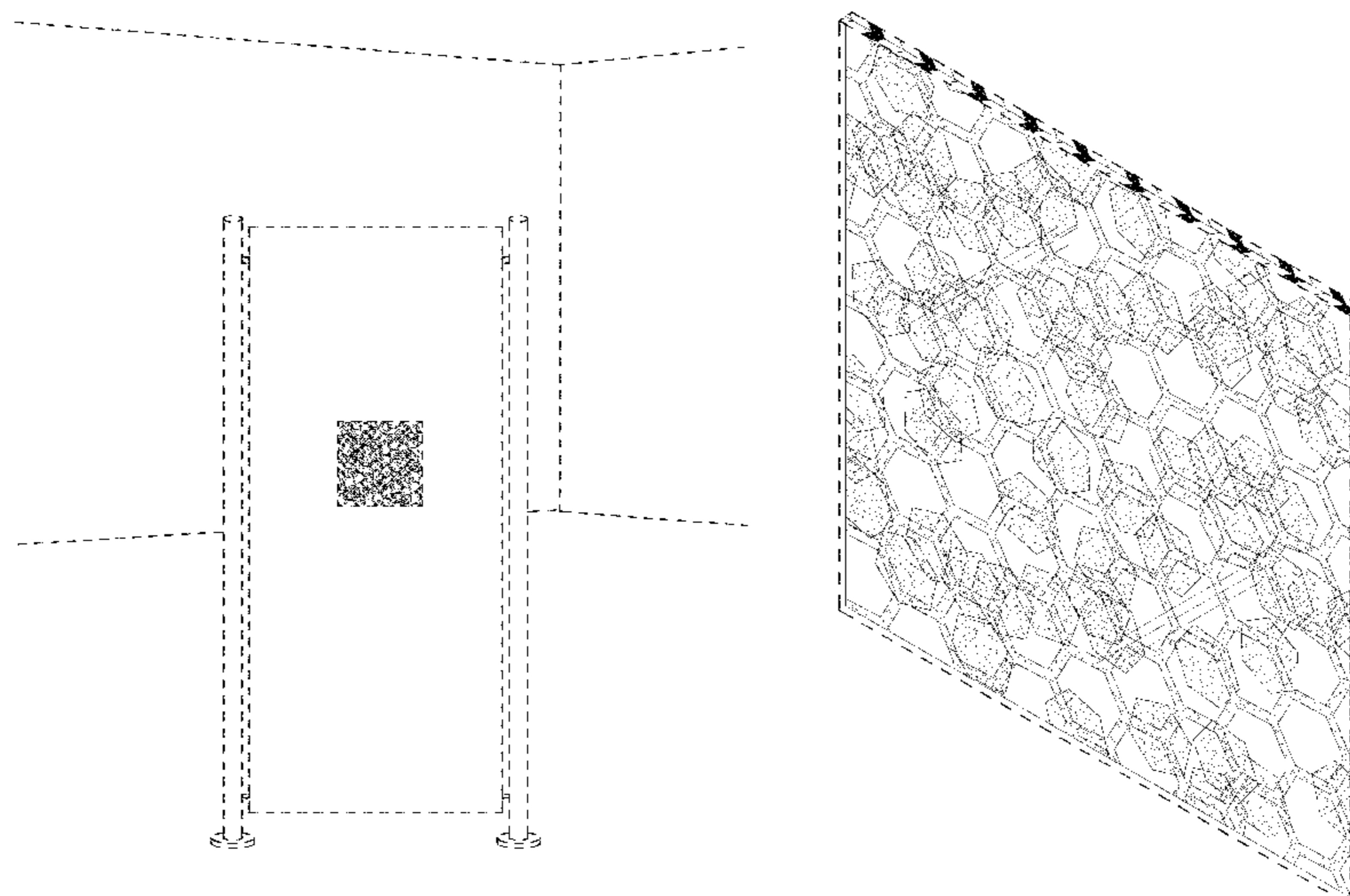
FIG. 5 is an enlarged right side sectional view taken along line 5-5 of FIG. 3;

FIG. 6 is an enlarged top plan sectional view taken along line 6-6 of FIG. 3; and,

FIG. 7 is an enlarged bottom plan section view taken along line 7-7 of FIG. 3.

The broken lines adjacent to the shaded portions of the design depict the bounds of the claim and all other broken lines depict environmental subject matter. All broken lines form no part of the claimed design.

1 Claim, 3 Drawing Sheets



(56)

References Cited

U.S. PATENT DOCUMENTS

D270,012 S * 8/1983 Stocker D5/51
 D270,013 S * 8/1983 Stocker D5/51
 D327,543 S * 6/1992 Gardner D25/138
 D364,040 S * 11/1995 Suskind D5/1
 D378,332 S * 3/1997 Simoni D6/575
 D429,861 S * 8/2000 Denney D32/40
 D489,905 S * 5/2004 Hynnek D5/53
 D515,223 S * 2/2006 Geffe D25/163
 D582,618 S * 12/2008 Caruso D32/40
 D612,066 S * 3/2010 Waters D25/58
 D613,948 S * 4/2010 Spitzer D5/37
 7,753,100 B2 * 7/2010 Luomanen A47H 13/00
 160/199
 D710,116 S * 8/2014 Blackford D5/58
 D712,159 S * 9/2014 Clerici D5/5
 D721,686 S * 1/2015 Jacob D14/250
 D725,943 S * 4/2015 Oberwelz D5/62
 D730,299 S * 5/2015 Levesque D13/155

9,097,015 B2 * 8/2015 Moore E04C 2/26
 2012/0048487 A1 * 3/2012 Brewster B62B 3/12
 160/368.1
 2014/0072732 A1 * 3/2014 Moore B32B 9/02
 428/13

OTHER PUBLICATIONS

Stained Glass Honeycomb Drops (set of 10) etsy.com [online] 2 pages Available to the public at least as early as Dec. 1, 2012 [retrieved on Aug. 28, 2015]. Retrieved from Internet: <<https://www.etsy.com/shop/BespokeGlassTile/reviews?page=18>>.*
 Hexagonal Seamless Pattern. 123rf.com [online] 1 [retrieved on Aug. 28, 2015]. Retrieved from Internet: <<http://www.123rf.com/clipart-vector/overlapped.html?mediapopup=38165607>>.*
 Buzz Blue Iridescent. 3-form.com [online] 2 pages [retrieved on Aug. 8, 2015]. Retrieved from Internet: http://www.3-form.com/materials/poured_glass/laser_cut_-_buzz/buzz_blue_iridescent/#1.*

* cited by examiner

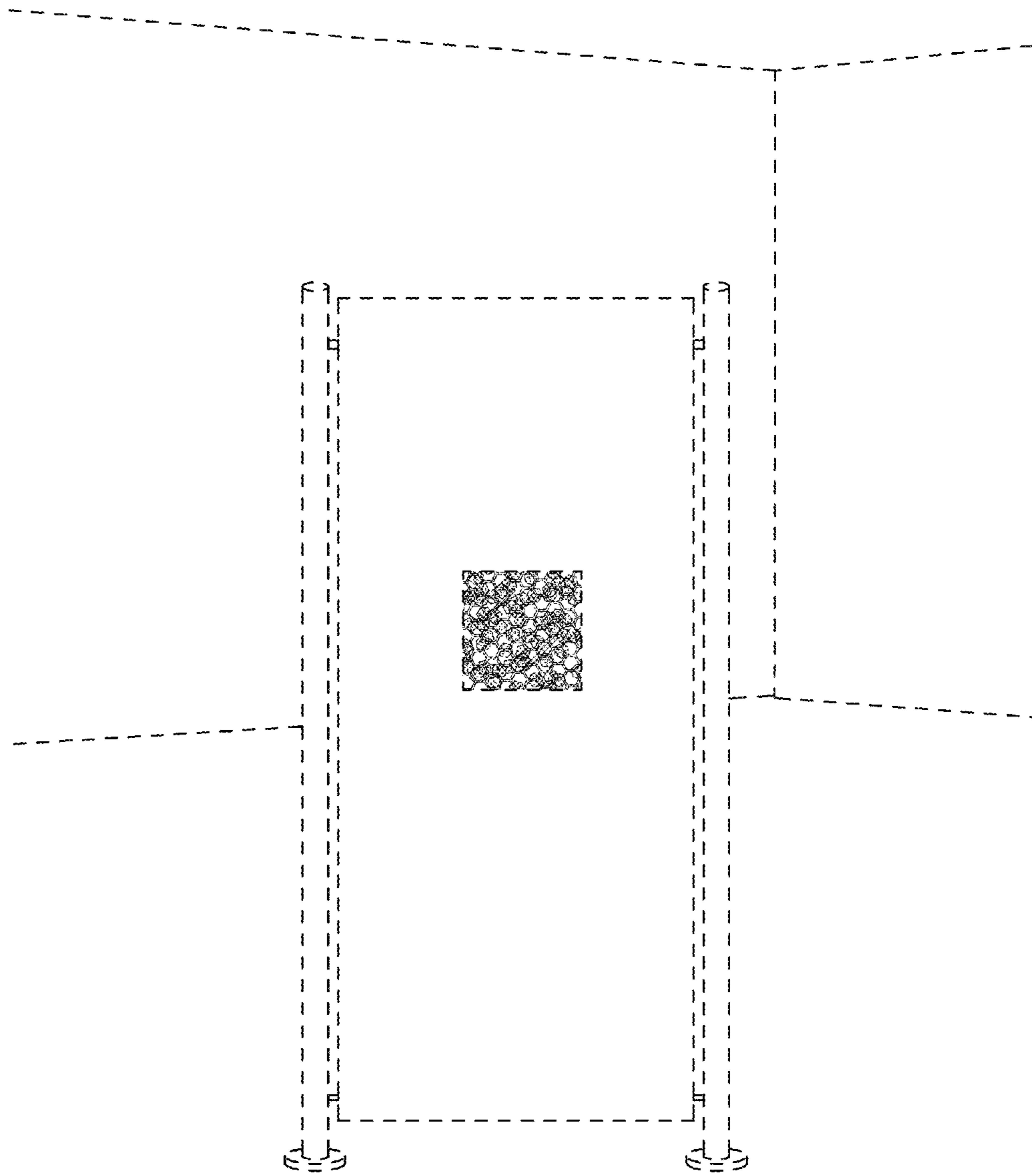


FIG. 1

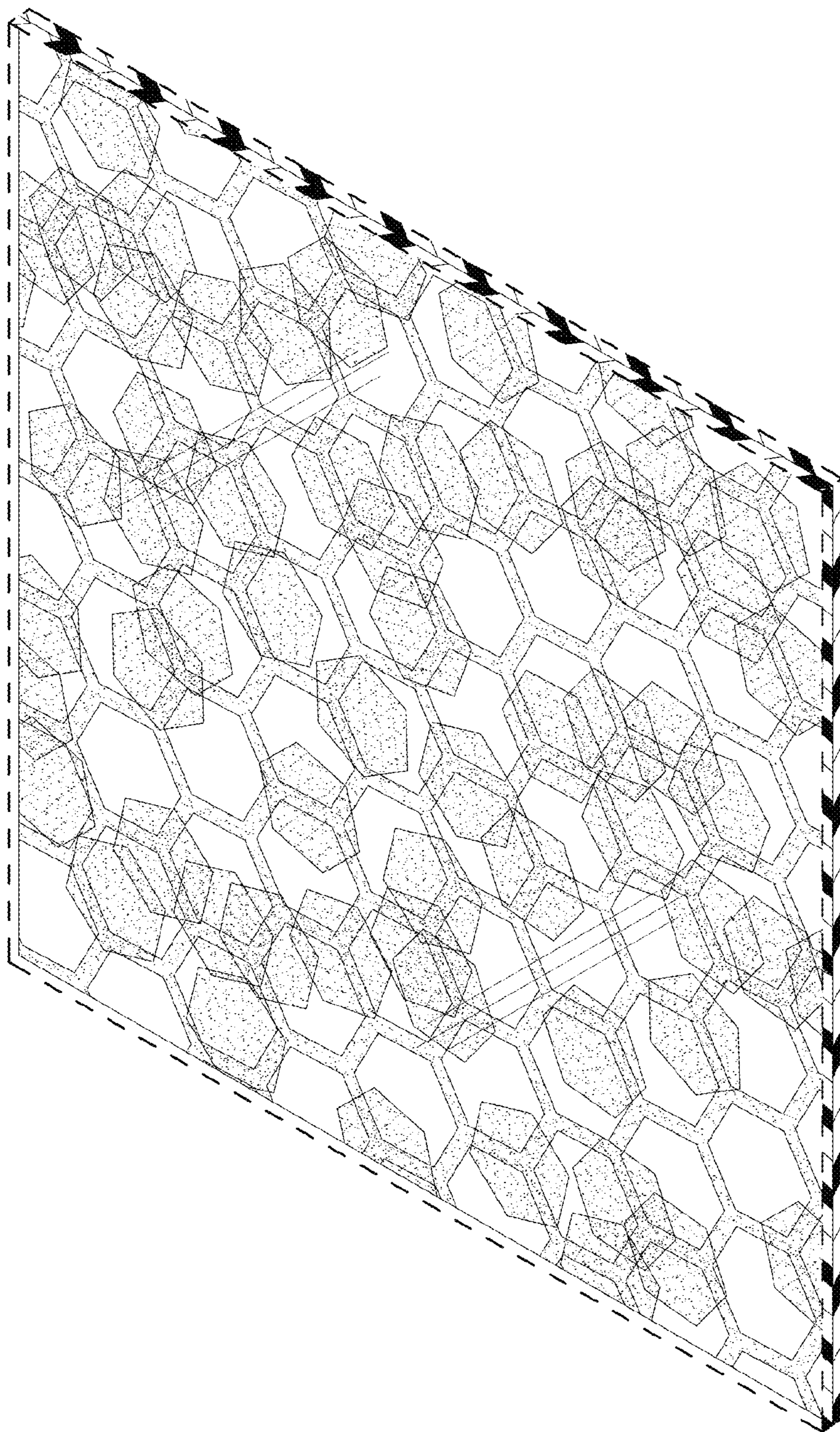


FIG. 2

