



US00D764682S

(12) **United States Design Patent**
Bussewitz

(10) **Patent No.:** **US D764,682 S**
(45) **Date of Patent:** **** Aug. 23, 2016**

- (54) **TREE STEP INCLUDING AN INTEGRATED SHANK**
- (71) Applicant: **Bradly W. Bussewitz**, Swisher, IA (US)
- (72) Inventor: **Bradly W. Bussewitz**, Swisher, IA (US)
- (**) Term: **15 Years**
- (21) Appl. No.: **29/546,680**
- (22) Filed: **Nov. 24, 2015**

- 4,867,272 A 9/1989 Troubridge
- 5,086,873 A 2/1992 George
- 5,207,404 A 5/1993 Reinhard
- D348,215 S 6/1994 Melhorn
- 5,624,007 A 4/1997 Mahaffy
- 5,743,353 A 4/1998 Browning et al.
- 5,755,178 A 5/1998 Lush

(Continued)

Primary Examiner — Cynthia Ramirez

Assistant Examiner — Gino Colan

(74) *Attorney, Agent, or Firm* — Neal, Gerber & Eisenberg LLP

Related U.S. Application Data

- (63) Continuation of application No. 29/493,263, filed on Jun. 6, 2014, now Pat. No. Des. 747,003.
- (51) **LOC (10) Cl.** **25-04**
- (52) **U.S. Cl.**
USPC **D25/69**
- (58) **Field of Classification Search**
USPC D25/62-69; 248/303, 304, 551, 302, 248/339; D8/370, 373; 182/90, 151, 92, 182/187
CPC A63B 27/00; A63B 27/02; E04H 4/144
See application file for complete search history.

(57) **CLAIM**

The ornamental design for a tree step including an integrated shank, as shown and described.

DESCRIPTION

FIG. 1 is a perspective view of one embodiment of a tree step including an integrated shank showing my new design; FIG. 2 is another perspective view of FIG. 1; FIG. 3 is a front side elevational view of FIG. 1, the rear elevational view being a mirror image thereof; FIG. 4 is a top plan view of FIG. 1; FIG. 5 is a bottom plan of FIG. 1; FIG. 6 is a left elevational view of FIG. 1; FIG. 7 is a right elevational view of FIG. 1; FIG. 8 is a perspective view of another embodiment of a tree step including an integrated shank showing my new design; FIG. 9 is another perspective view of FIG. 8; FIG. 10 is a front elevational view of FIG. 8, the rear elevational view being a mirror image thereof; FIG. 11 is a top plan view of FIG. 8; FIG. 12 is a bottom plan view of FIG. 8; FIG. 13 is a left elevational view of FIG. 8; and, FIG. 14 is a right elevational view of FIG. 8.

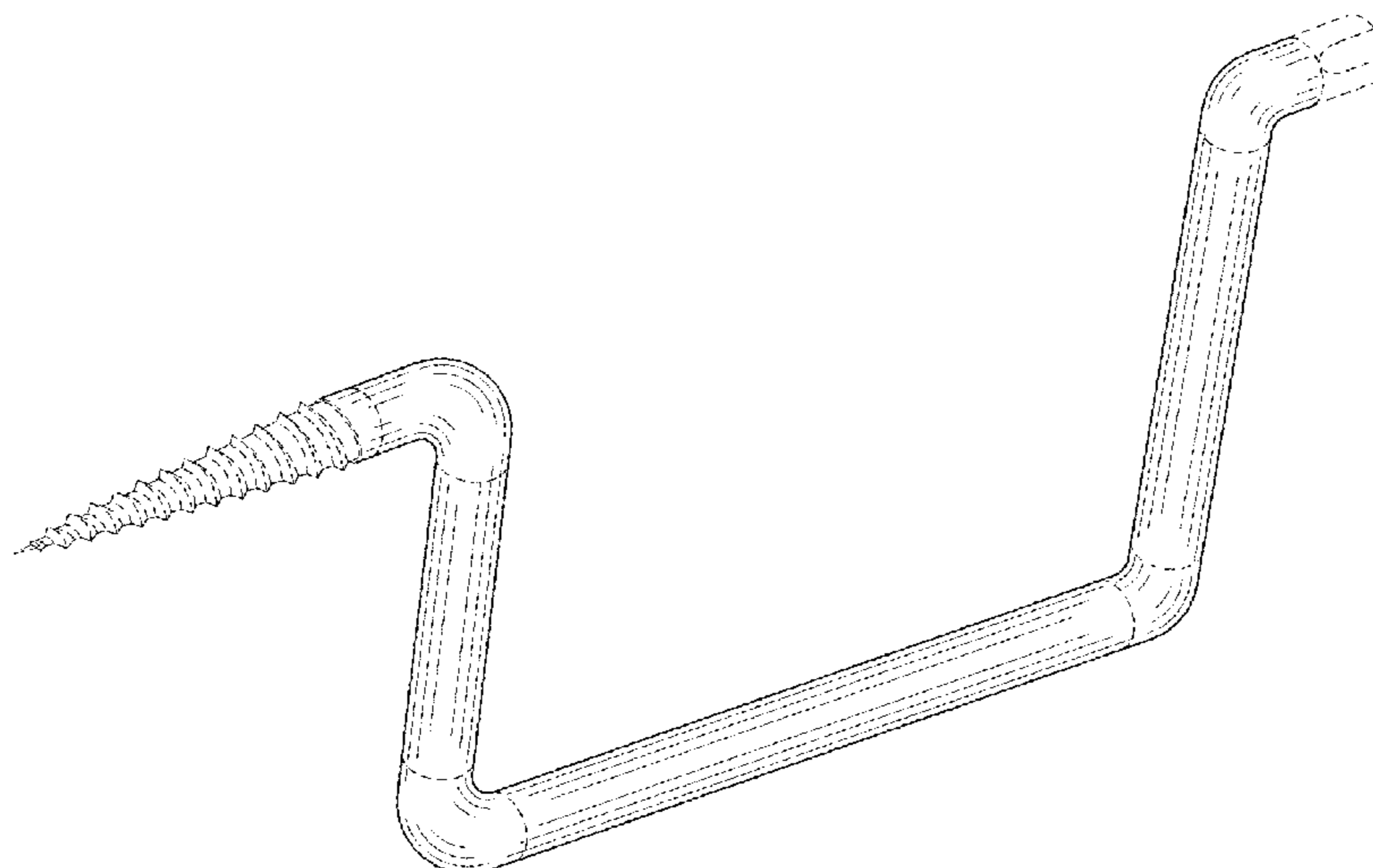
The broken lines shown in the figures are included for the purpose of illustrating environment and form no part of the claimed design.

1 Claim, 6 Drawing Sheets

(56) **References Cited**

U.S. PATENT DOCUMENTS

- | | | |
|-------------|---------|----------|
| 51,660 A | 12/1865 | Nobles |
| 1,495,044 A | 5/1924 | Priebe |
| 2,437,762 A | 3/1947 | Louis |
| 3,298,459 A | 1/1967 | Bergsten |
| 3,380,697 A | 4/1968 | Melcher |
| 3,399,746 A | 9/1968 | Wood |
| 3,498,409 A | 3/1970 | Meyer |
| D255,213 S | 6/1980 | Fischer |
| 4,413,706 A | 11/1983 | Michael |
| 4,450,936 A | 5/1984 | Strom |
| 4,700,807 A | 10/1987 | Kubiak |
| 4,775,030 A | 10/1988 | Wright |
| 4,856,953 A | 8/1989 | Lin |



(56)

References Cited

U.S. PATENT DOCUMENTS

5,806,625 A	9/1998	Katz		D631,981 S	2/2011	Henry	
5,887,677 A	3/1999	Malmgren		8,132,647 B2	3/2012	Salerno	
5,899,124 A	5/1999	Cross, Jr.		8,230,765 B1	7/2012	Cooley	
5,944,139 A *	8/1999	Kozial	A63B 27/00	8,286,928 B2 *	10/2012	Lien	A47G 1/20
			182/90				211/106.01
6,439,343 B1	8/2002	Jorges et al.		8,863,900 B1	10/2014	Bolinger	
6,484,888 B2	11/2002	Miller		D719,681 S	12/2014	Gray	
6,729,437 B1	5/2004	Apple		D747,003 S *	1/2016	Bussewitz	D25/69
7,017,449 B1	3/2006	Ritchings		2002/0029931 A1	3/2002	Bridges	
7,134,524 B2	11/2006	Sprague		2002/0121406 A1	9/2002	Summers	
7,231,853 B1	6/2007	Burdge		2007/0068347 A1	3/2007	Smith	
D611,803 S *	3/2010	Lien	D8/370	2010/0050823 A1	3/2010	Blankenship	
7,726,619 B2	6/2010	Lien		2011/0204584 A1	8/2011	Watts et al.	
D631,980 S *	2/2011	Henry	D25/69	2014/0251727 A1	9/2014	Wilmoth et al.	
				2015/0290498 A1 *	10/2015	Bussewitz	A63B 27/00
							182/90

* cited by examiner

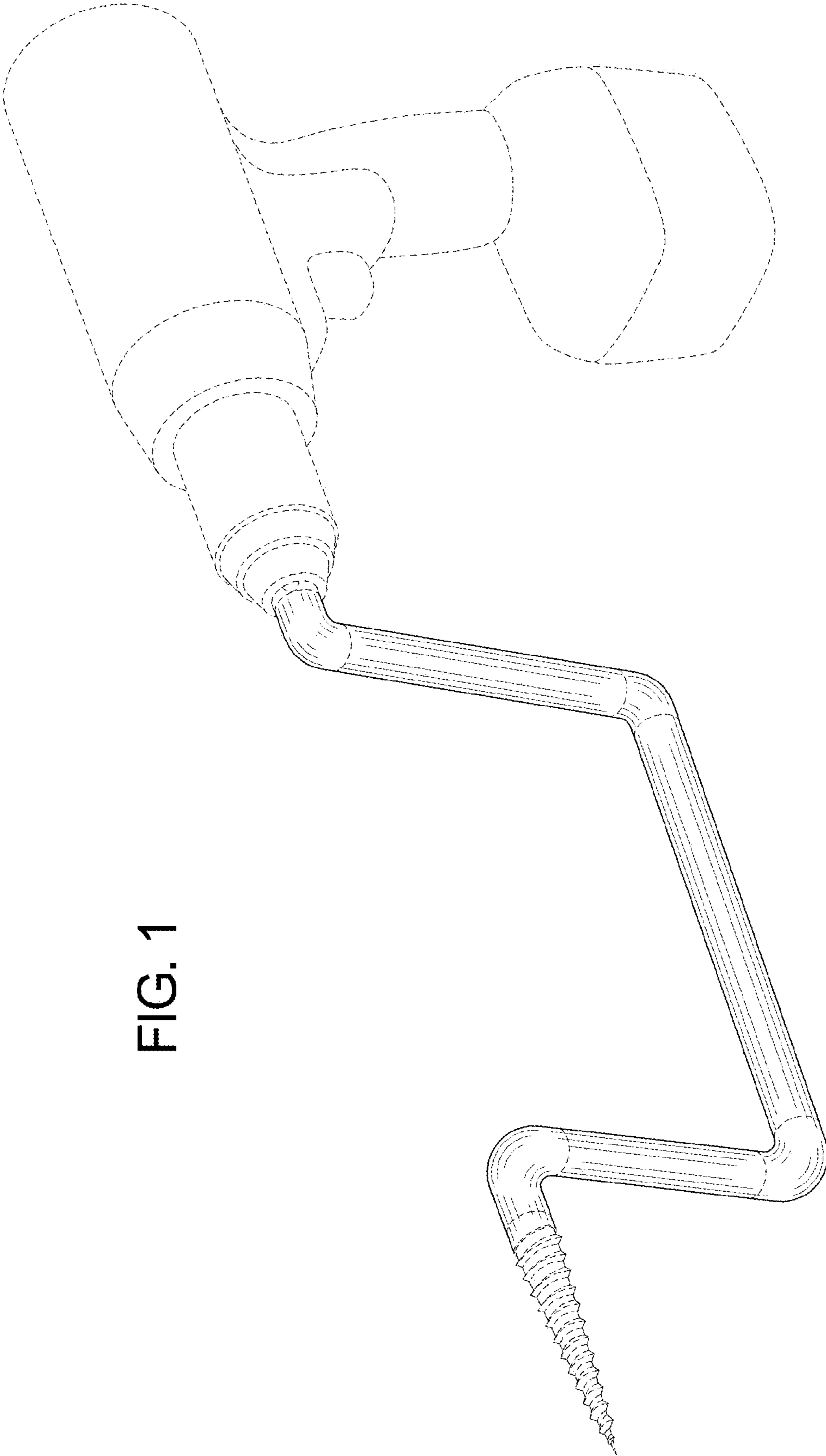


FIG. 1

FIG. 2

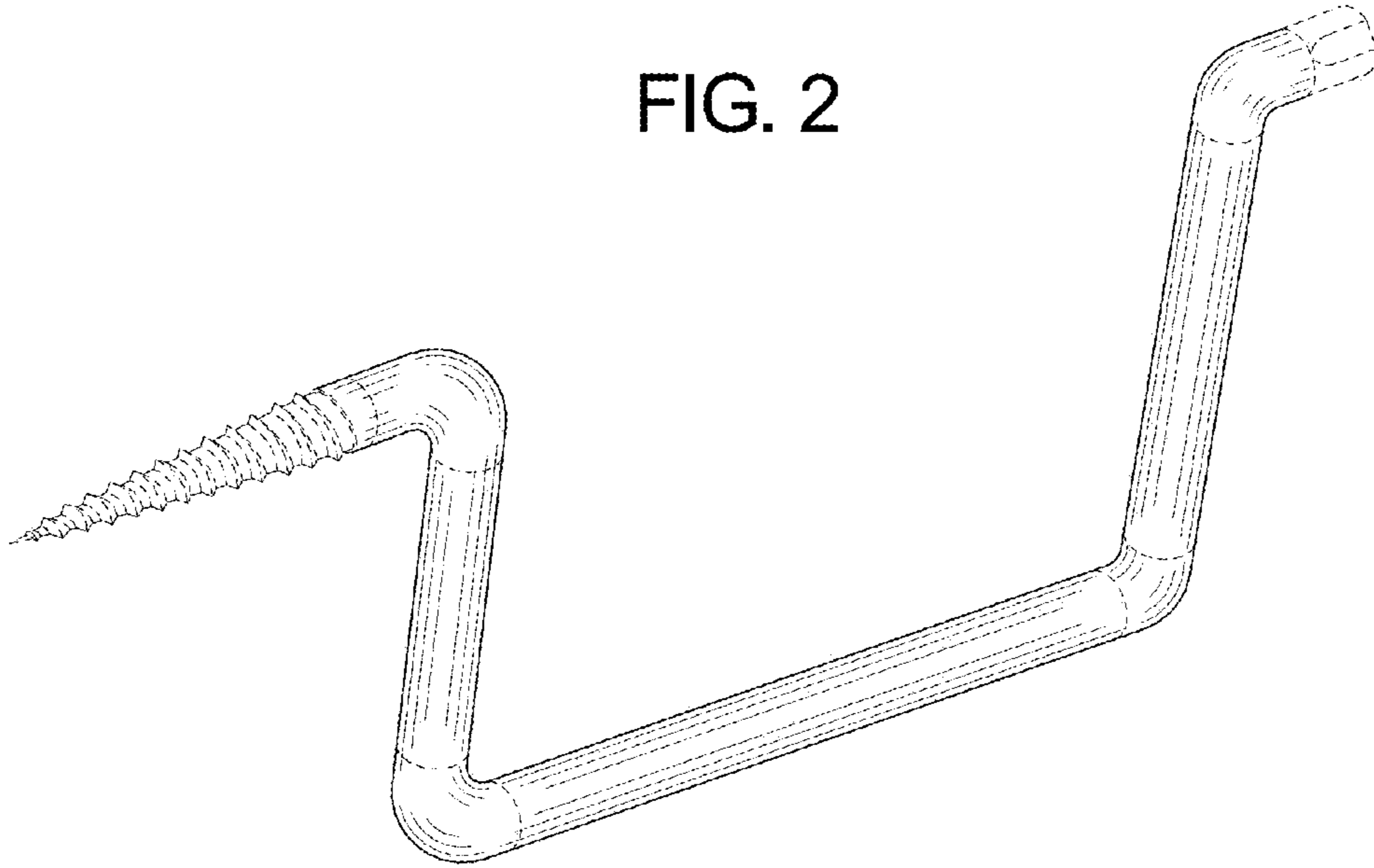


FIG. 3

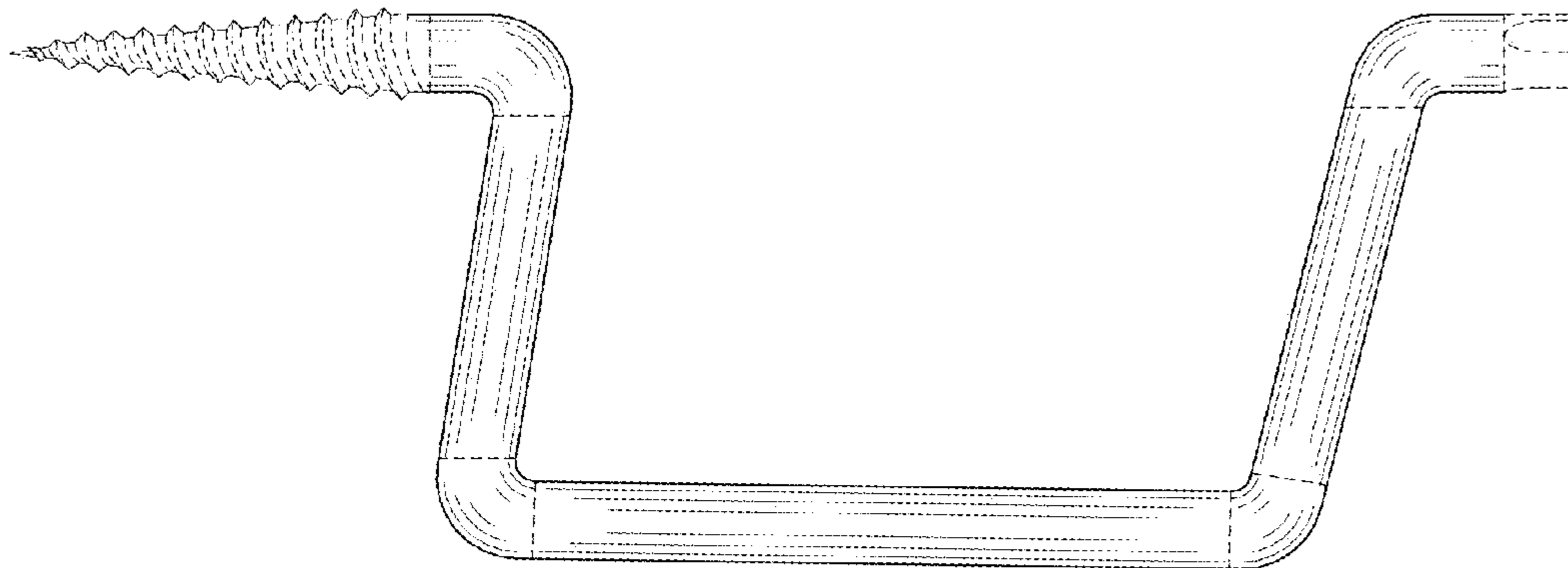


FIG. 4

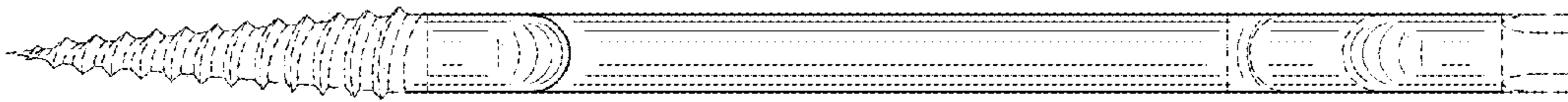


FIG. 5

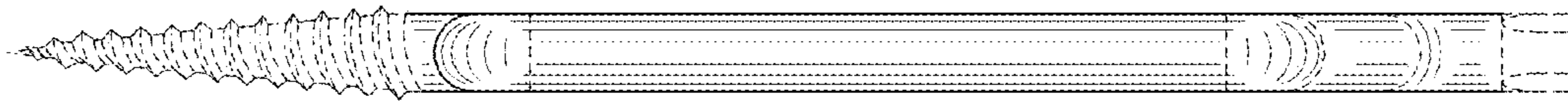


FIG. 6

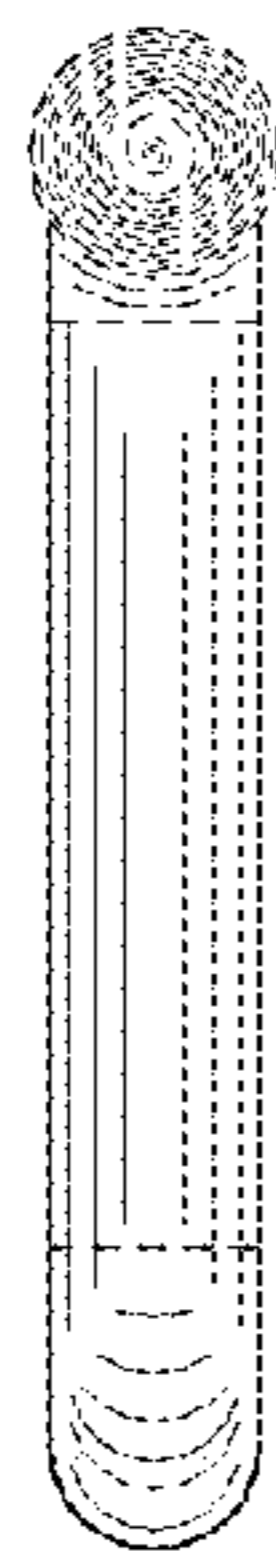
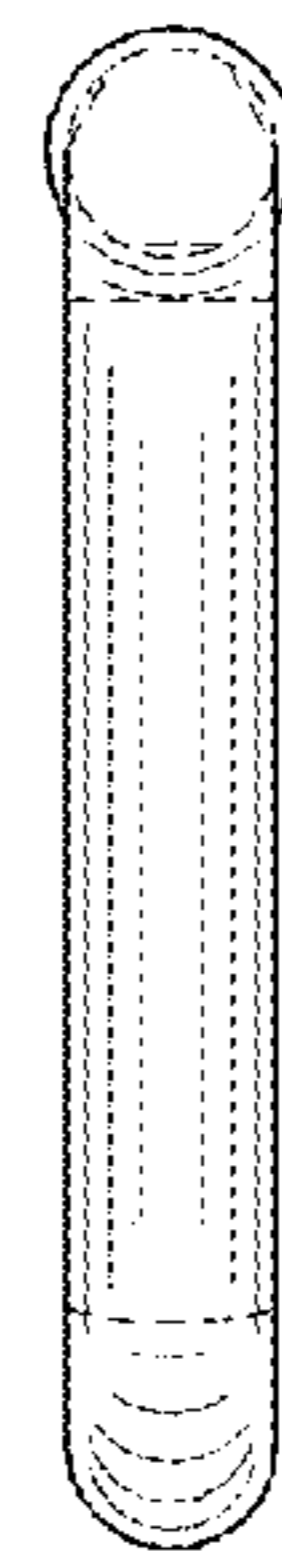


FIG. 7



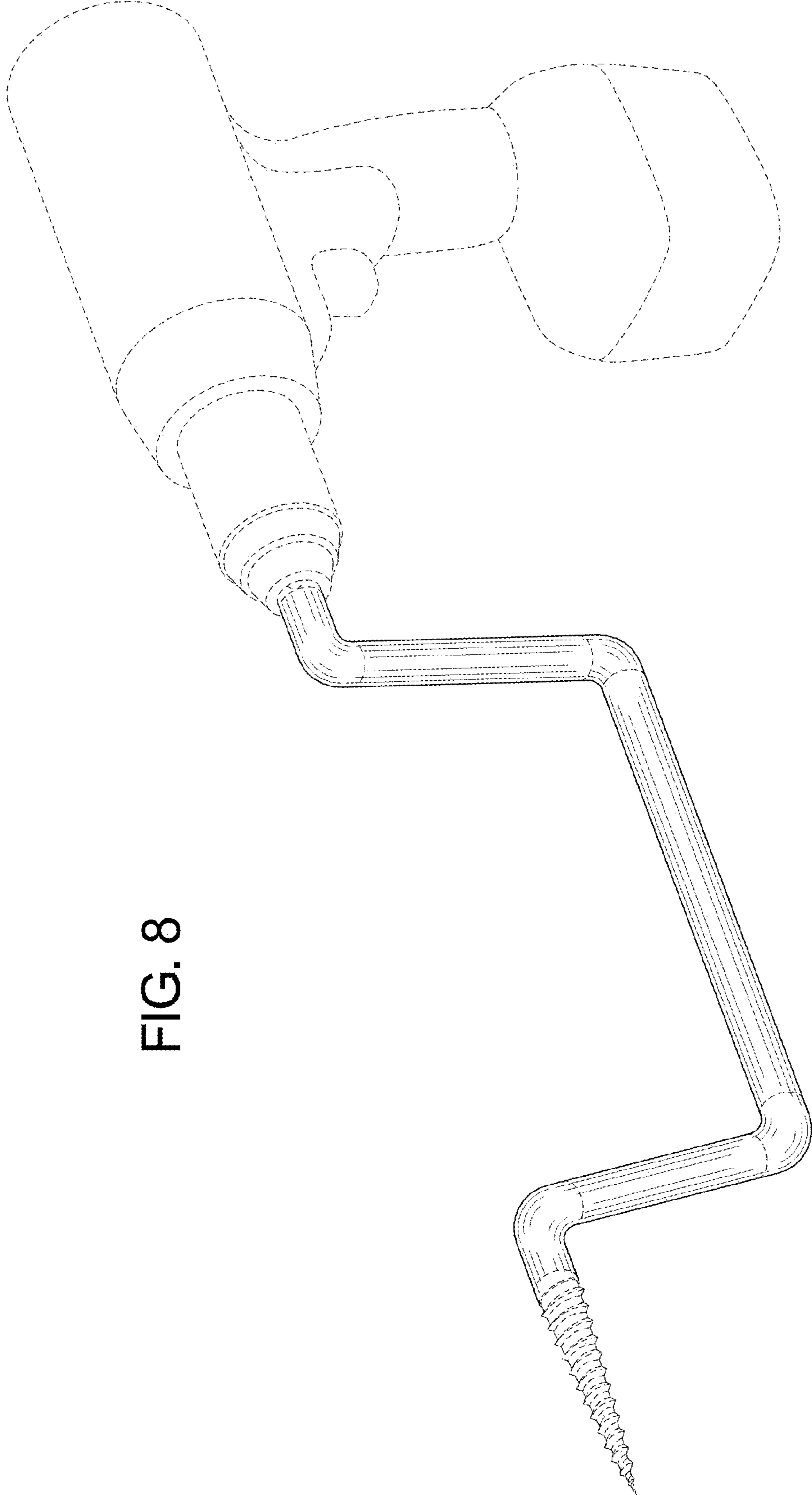


FIG. 8

FIG. 9

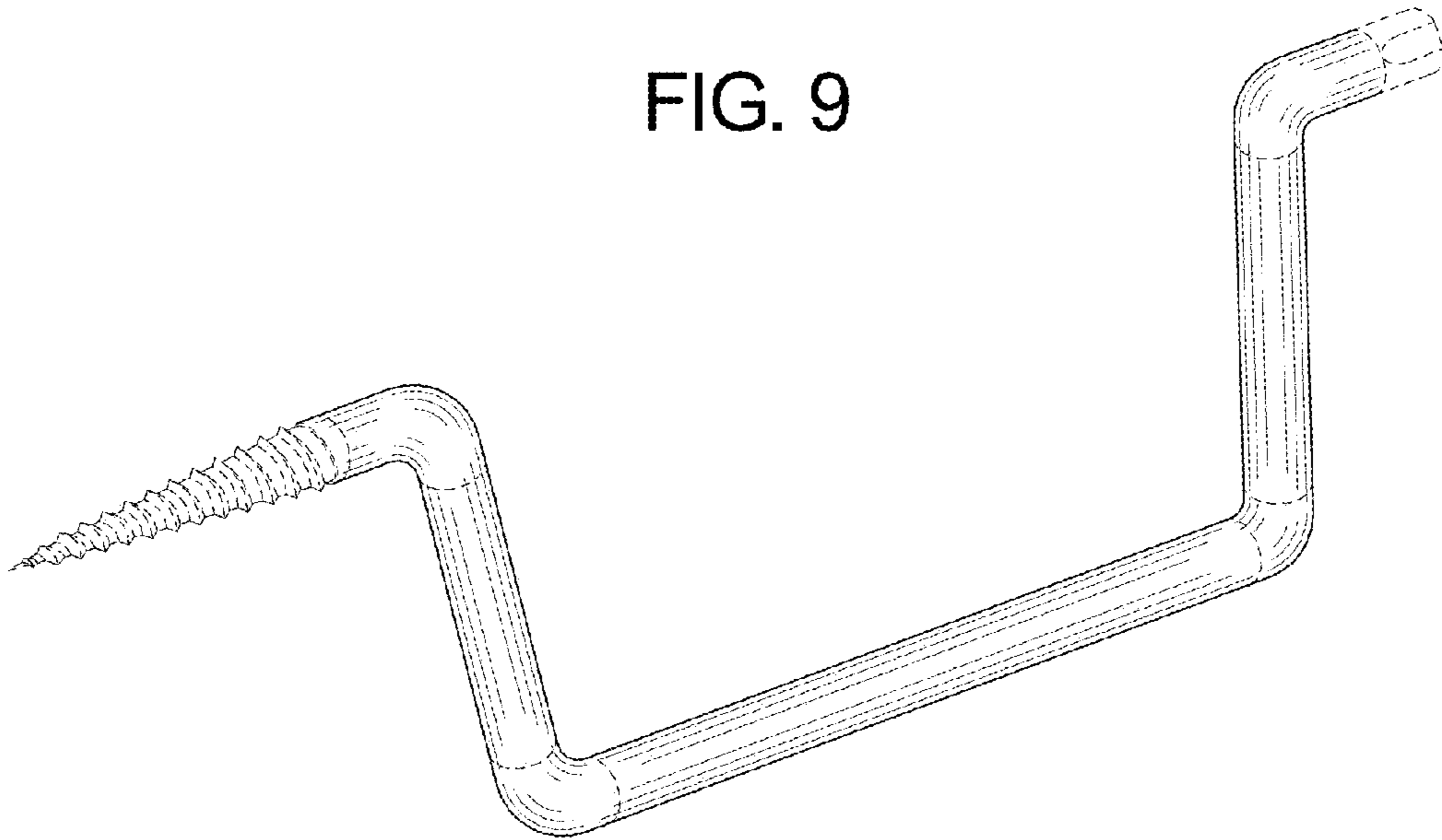


FIG. 10

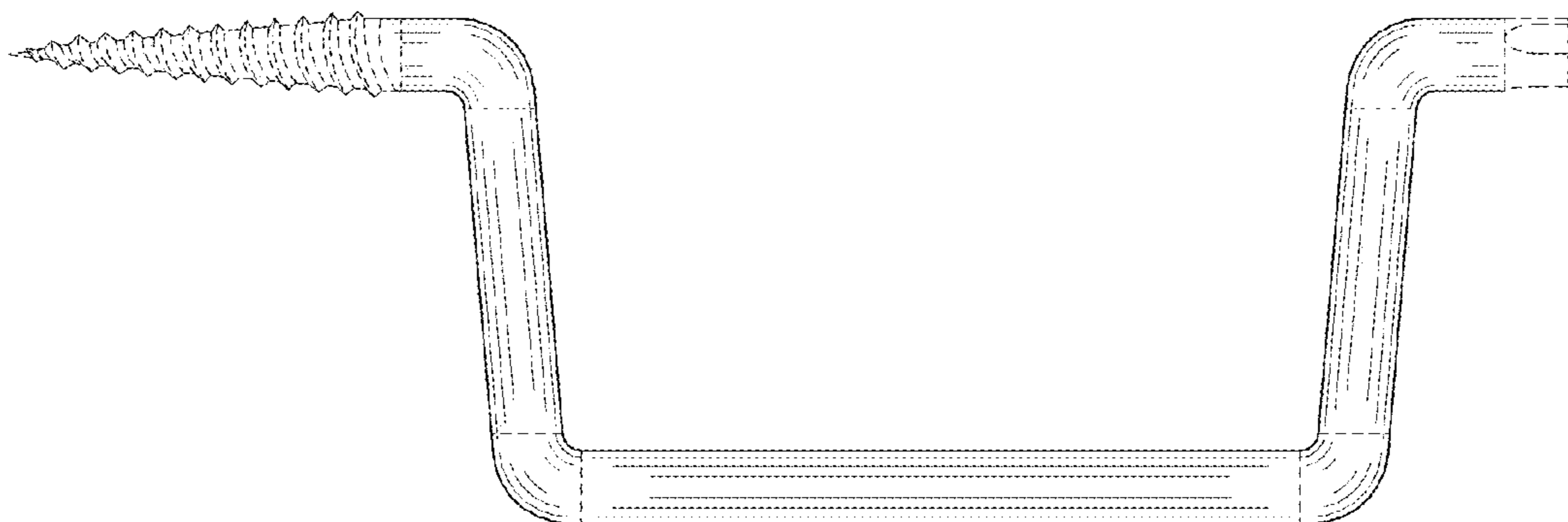


FIG. 11

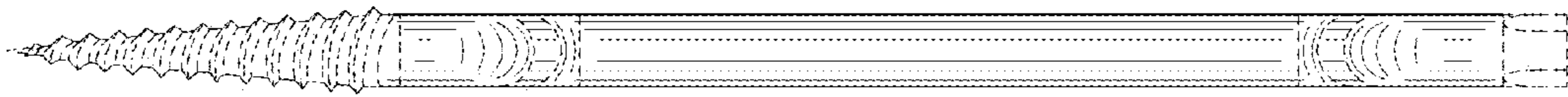


FIG. 12

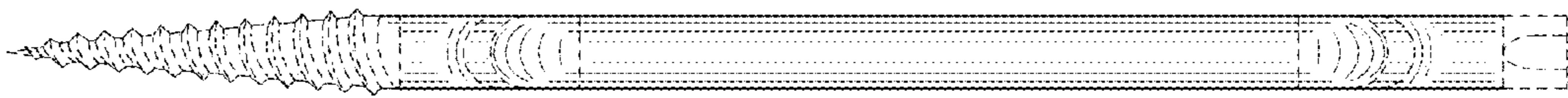


FIG. 13

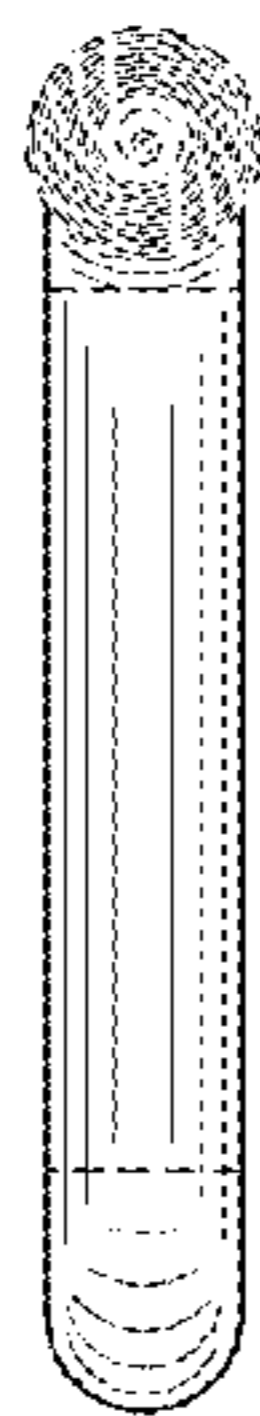


FIG. 14

