



US00D764681S

(12) **United States Design Patent**  
**Charpentier**

(10) **Patent No.:** **US D764,681 S**

(45) **Date of Patent:** **\*\* Aug. 23, 2016**

(54) **LADDER CARRIER**

(71) Applicant: **Claude A. Charpentier**, Cranston, RI (US)

(72) Inventor: **Claude A. Charpentier**, Cranston, RI (US)

(\*\*) Term: **14 Years**

(21) Appl. No.: **29/524,788**

(22) Filed: **Apr. 23, 2015**

(51) **LOC (10) Cl.** ..... **25-04**

(52) **U.S. Cl.**  
USPC ..... **D25/68**

(58) **Field of Classification Search**  
USPC ..... D25/62-69; 182/127, 194, 106, 165, 182/178.2, 180.1, 21, 8, 129, 122, 20, 93, 182/210; D12/223, 412, 406, 414; 248/210, 248/211, 238, 226.11, 215, 301, 304, 339  
CPC ..... E06C 1/39; E06C 1/38; E06C 7/42; E06C 1/36; E06C 1/34; E06C 7/14; E06C 7/50; E06C 5/00

See application file for complete search history.

(56) **References Cited**

**U.S. PATENT DOCUMENTS**

3,056,466 A \* 10/1962 Wall, Jr. .... B63B 27/14  
182/214  
4,850,069 A \* 7/1989 Harper ..... A47C 16/04  
182/129  
D315,796 S \* 3/1991 Smith ..... D25/66

D348,938 S \* 7/1994 Kennett ..... D25/68  
6,129,221 A \* 10/2000 Shaha ..... A47B 81/00  
211/87.01  
D457,651 S \* 5/2002 Brown ..... D25/68  
6,851,518 B1 \* 2/2005 Walker ..... E06C 7/48  
182/107  
6,997,283 B2 \* 2/2006 Wollenberg ..... E06C 7/48  
182/107  
8,191,845 B1 \* 6/2012 Yu ..... A47F 5/0853  
248/220.42  
D712,567 S \* 9/2014 Hollister ..... D25/68  
8,839,908 B2 \* 9/2014 Davis, Jr. .... E06C 7/1888  
182/106  
2010/0096217 A1 \* 4/2010 Feldhaus ..... E06C 7/48  
182/214

\* cited by examiner

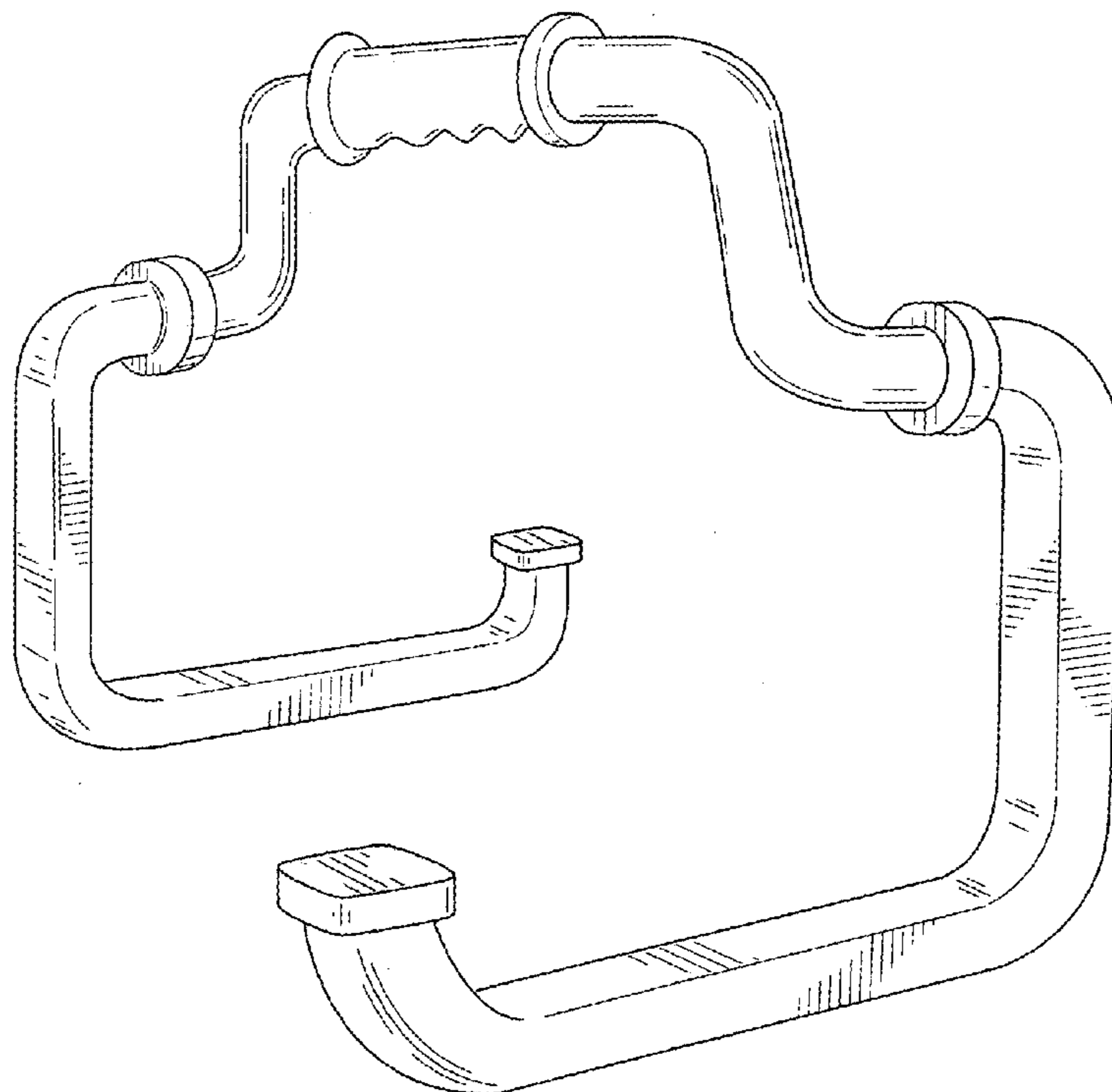
*Primary Examiner* — Cynthia Ramirez  
*Assistant Examiner* — Gino Colan  
(74) *Attorney, Agent, or Firm* — Harpman & Harpman

(57) **CLAIM**  
The ornamental design for a ladder carrier, as shown and described.

**DESCRIPTION**

FIG. 1 is a perspective view of a ladder carrier showing my new design.  
FIG. 2 is a top plan view thereof.  
FIG. 3 is a bottom plan view thereof.  
FIG. 4 is a rear elevational view thereof; and,  
FIG. 5 is a left elevational view thereof, the reverse being a mirror image thereof.

**1 Claim, 3 Drawing Sheets**



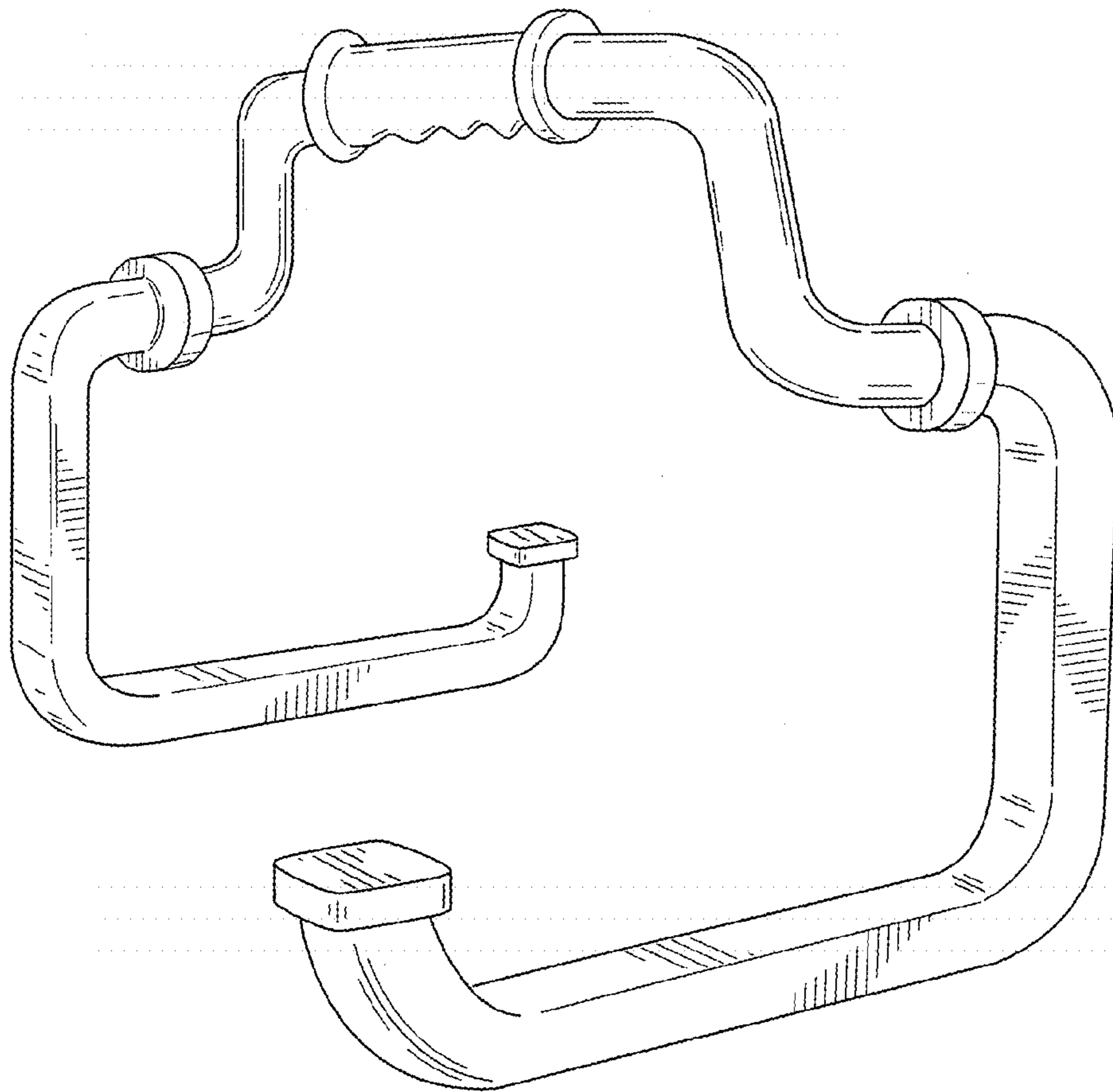
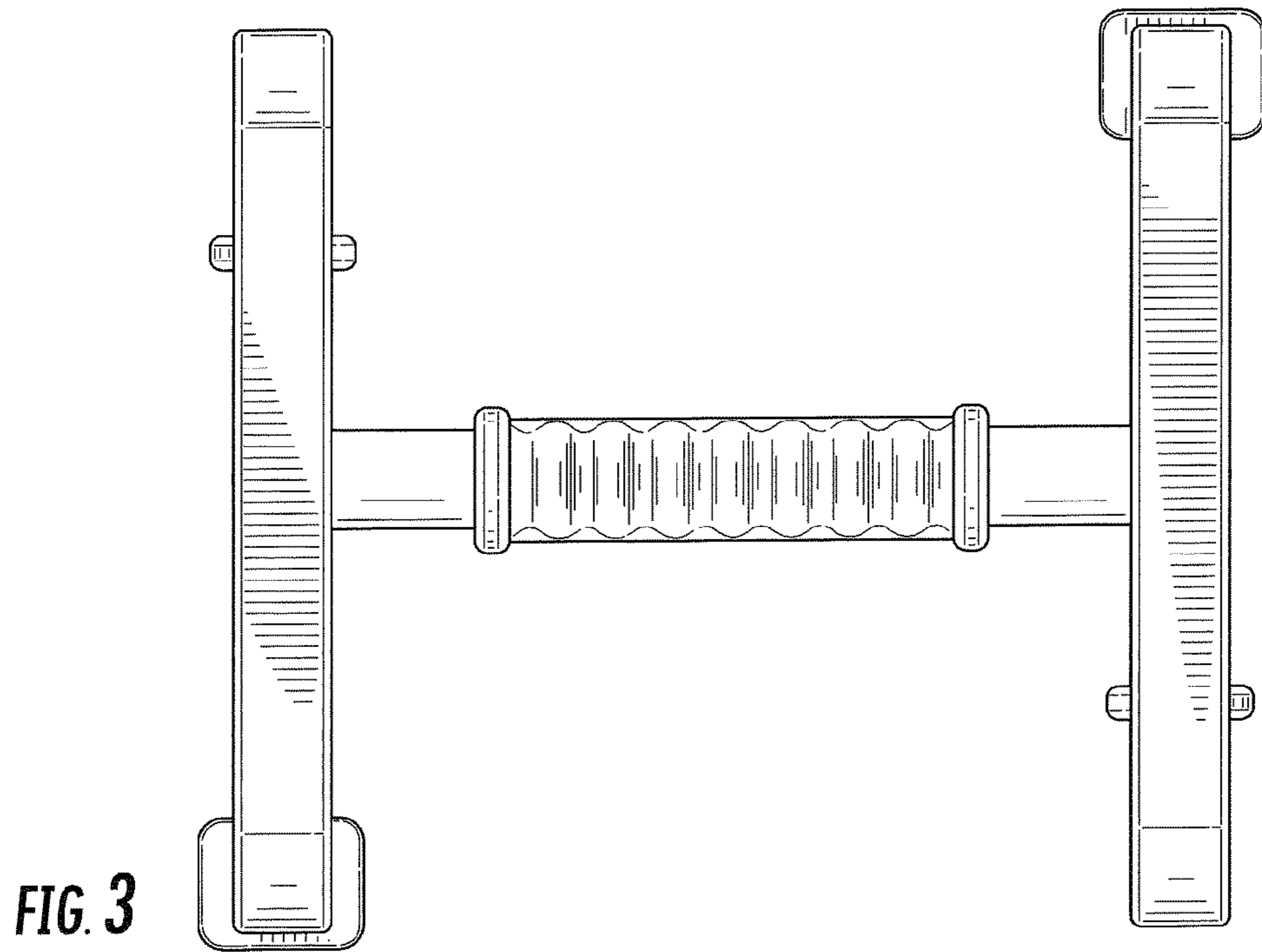
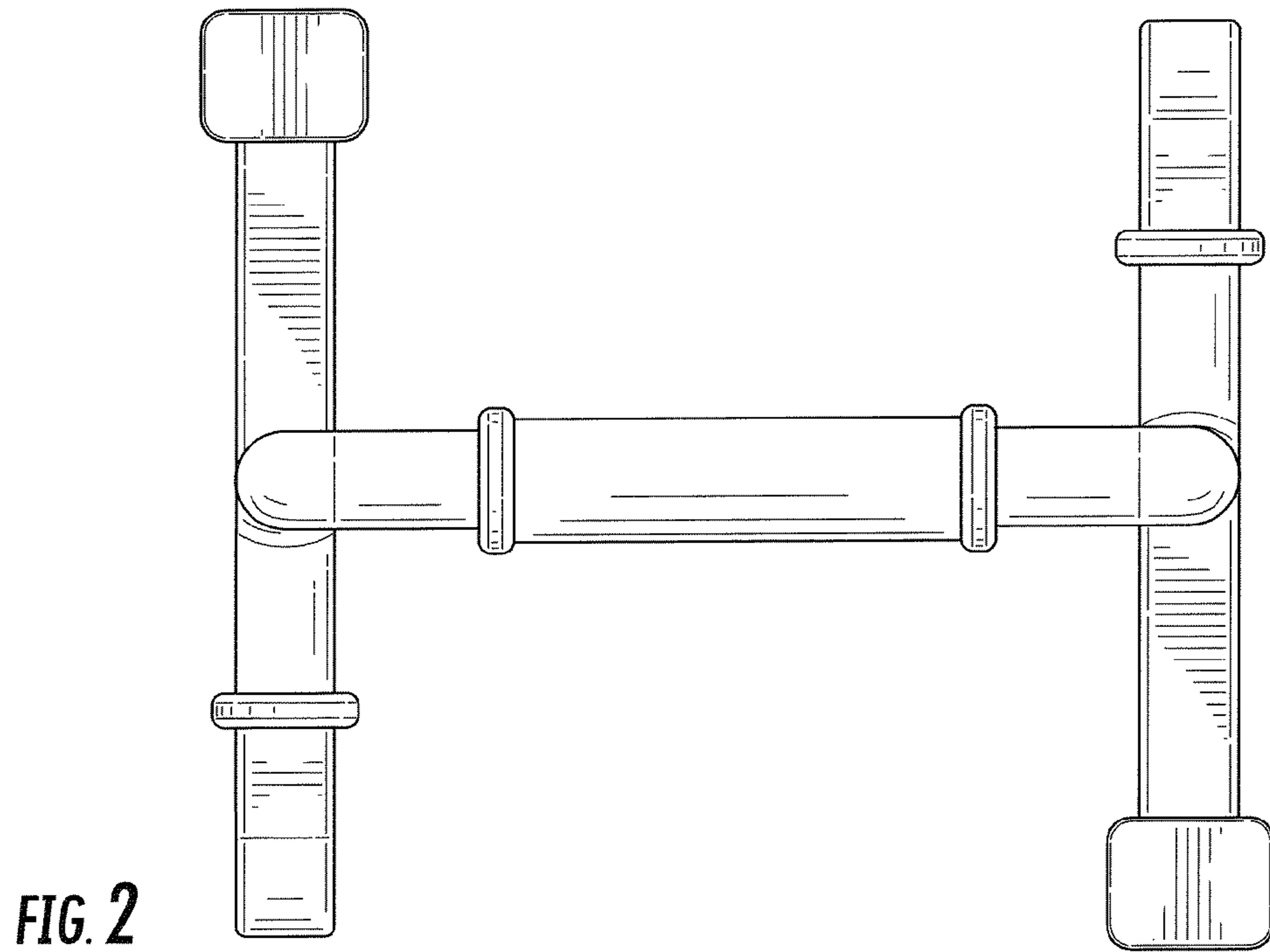


FIG. 1



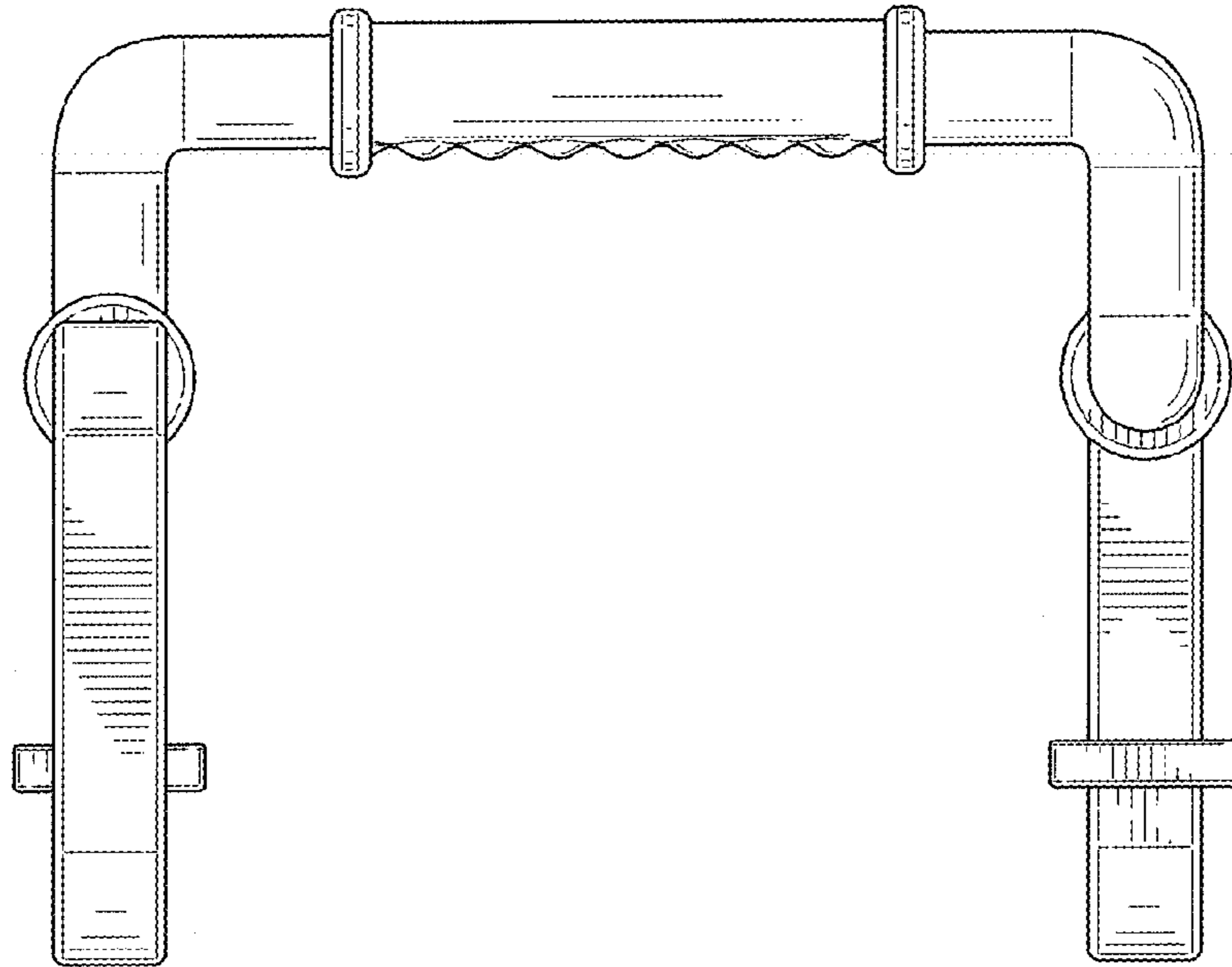


FIG. 4

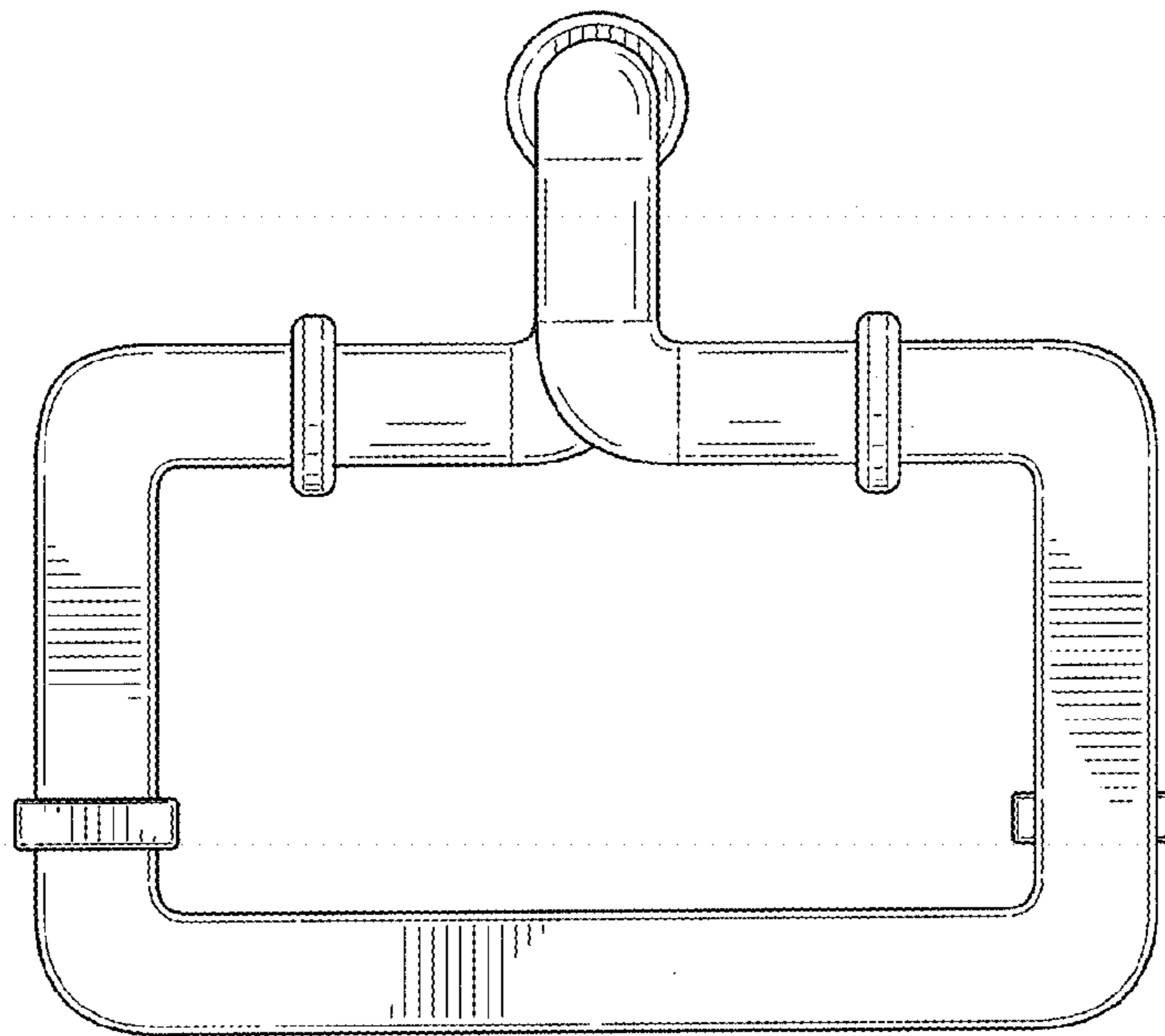


FIG. 5