



US00D764678S

(12) **United States Design Patent**  
**Smollar**

(10) **Patent No.:** **US D764,678 S**  
(45) **Date of Patent:** **\*\* Aug. 23, 2016**

- (54) **ALLERGY TESTING APPLICATOR**
- (71) Applicant: **Marvin Smollar**, Delray Beach, FL (US)
- (72) Inventor: **Marvin Smollar**, Delray Beach, FL (US)
- (\*\*) Term: **14 Years**
- (21) Appl. No.: **29/487,749**
- (22) Filed: **Apr. 11, 2014**
- (51) **LOC (10) Cl.** ..... **24-01**
- (52) **U.S. Cl.**  
USPC ..... **D24/223**
- (58) **Field of Classification Search**  
USPC ..... D24/142, 147, 186-187, 223, 146, 133;  
D28/7; 600/556; 604/47, 117, 118,  
604/191, 201, 181; 206/367, 439; 606/167  
CPC ..... A61B 17/205; A61B 10/00; A61B 5/441;  
A61B 10/0035; A61B 5/0059; A61B 5/685;  
A61B 5/0053; A61B 19/0271; A61M 5/427  
See application file for complete search history.

(56) **References Cited**

U.S. PATENT DOCUMENTS

- 3,291,129 A \* 12/1966 Burelle ..... A61B 17/205  
600/556
- 3,556,080 A 1/1971 Hein
- 4,205,689 A \* 6/1980 Brennan ..... A61B 10/00  
604/47
- 4,292,979 A \* 10/1981 Inglefield, Jr. .... A61B 17/205  
604/117
- 4,453,926 A \* 6/1984 Galy ..... A61B 17/205  
606/167
- 4,711,247 A \* 12/1987 Fishman ..... A61B 17/205  
604/181
- D297,052 S \* 8/1988 Galy ..... D24/147
- 5,396,989 A 3/1995 Hein
- D360,945 S \* 8/1995 Baldwin ..... D24/133
- 5,647,371 A 7/1997 White, Jr. et al.
- 5,671,753 A \* 9/1997 Pitesky ..... A61B 17/205  
600/556
- 5,692,518 A \* 12/1997 Baker ..... A61B 5/441  
600/556
- 5,738,108 A 4/1998 Hein
- 5,749,836 A \* 5/1998 Hsiao ..... A61B 10/0035  
600/556
- 5,792,071 A 8/1998 Hein

- 5,871,452 A \* 2/1999 Baker ..... A61B 5/441  
600/556
- 6,095,988 A \* 8/2000 Doll ..... A61B 17/205  
600/556
- 6,554,777 B1 4/2003 Hein, Jr.
- D629,518 S 12/2010 Hein, Jr. et al.
- 7,922,672 B2 4/2011 Hein, Jr. et al.
- 8,469,900 B2 6/2013 Hein, Jr. et al.
- 8,491,909 B2 7/2013 Esch
- D709,193 S \* 7/2014 Patterson ..... D24/142
- 2007/0299361 A1 \* 12/2007 Hein ..... A61B 5/411  
600/556
- 2009/0118638 A1 \* 5/2009 Schindlbeck ..... A61B 10/0035  
600/556
- 2010/0022910 A1 \* 1/2010 Lane ..... A61B 5/0059  
600/556
- 2010/0100005 A1 \* 4/2010 Mir ..... A61B 5/685  
600/556
- 2011/0118624 A1 \* 5/2011 Win ..... A61B 5/0053  
600/556
- 2012/0089048 A1 \* 4/2012 Harish ..... A61B 5/411  
600/556
- 2013/0231583 A1 \* 9/2013 Rekkerth ..... A61M 5/427  
604/506
- 2015/0126898 A1 \* 5/2015 Sullivan ..... A61B 5/411  
600/556
- 2015/0289794 A1 \* 10/2015 Smollar ..... A61B 5/411  
600/556

\* cited by examiner

*Primary Examiner* — T. Chase Nelson

*Assistant Examiner* — Mark Cavanna

(74) *Attorney, Agent, or Firm* — Laurence A. Greenberg;  
Werner H. Stemer; Ralph E. Locher

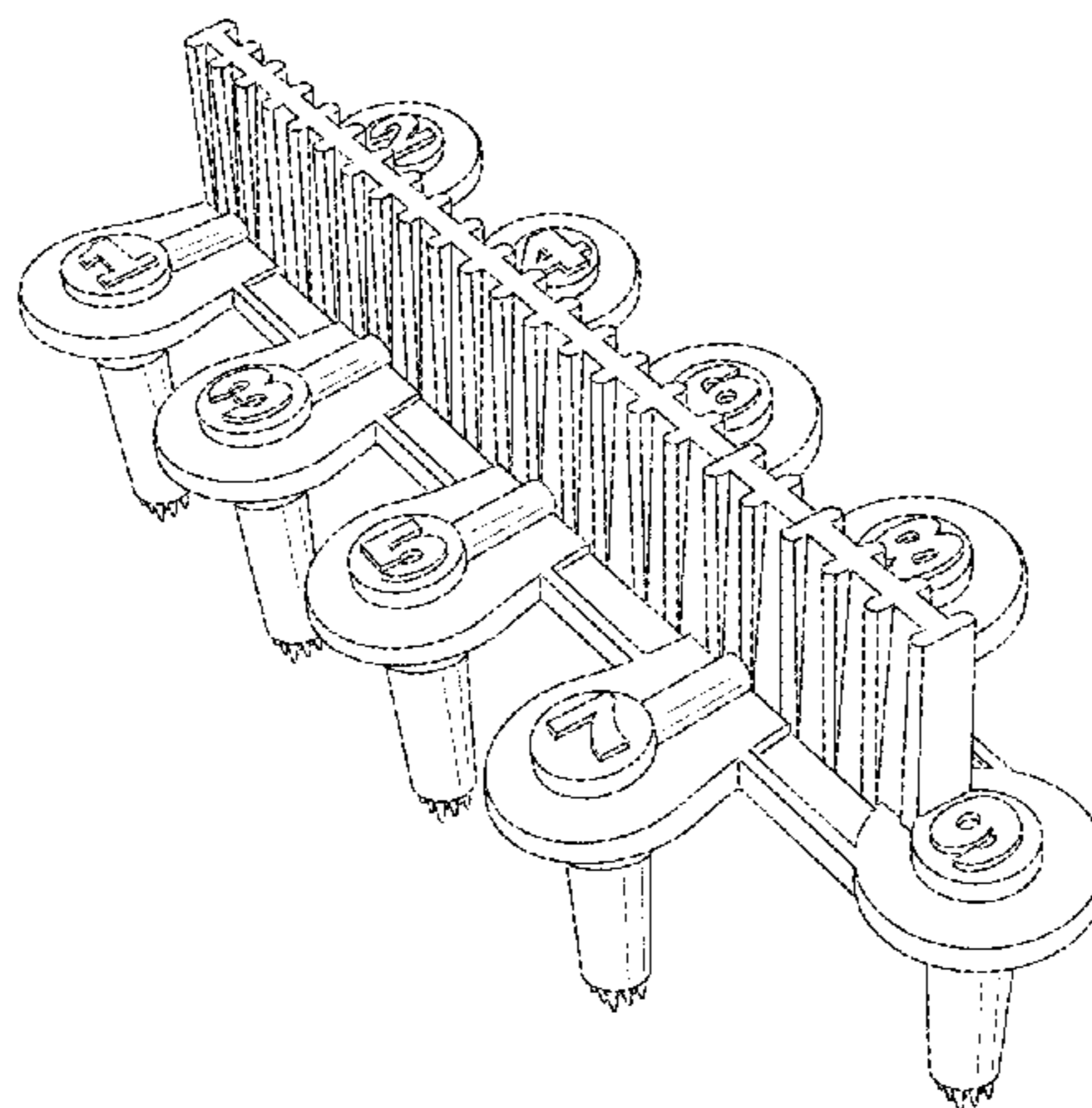
(57) **CLAIM**

The ornamental design for an allergy testing applicator, as shown and described.

**DESCRIPTION**

FIG. 1 is a side perspective view of a first embodiment of the allergy testing applicator, showing my new design;  
 FIG. 2 is a top plan view thereof;  
 FIG. 3 is a bottom plan view thereof;  
 FIG. 4 is a side view thereof;  
 FIG. 5 is a rear view thereof;  
 FIG. 6 is a front view thereof; and,  
 FIG. 7 is a top plan view of a second embodiment of the allergy testing applicator where the dashed lines show environmental matter forming no part of the invention, the first and second embodiments being the same except for the identification of the numbers.

**1 Claim, 4 Drawing Sheets**



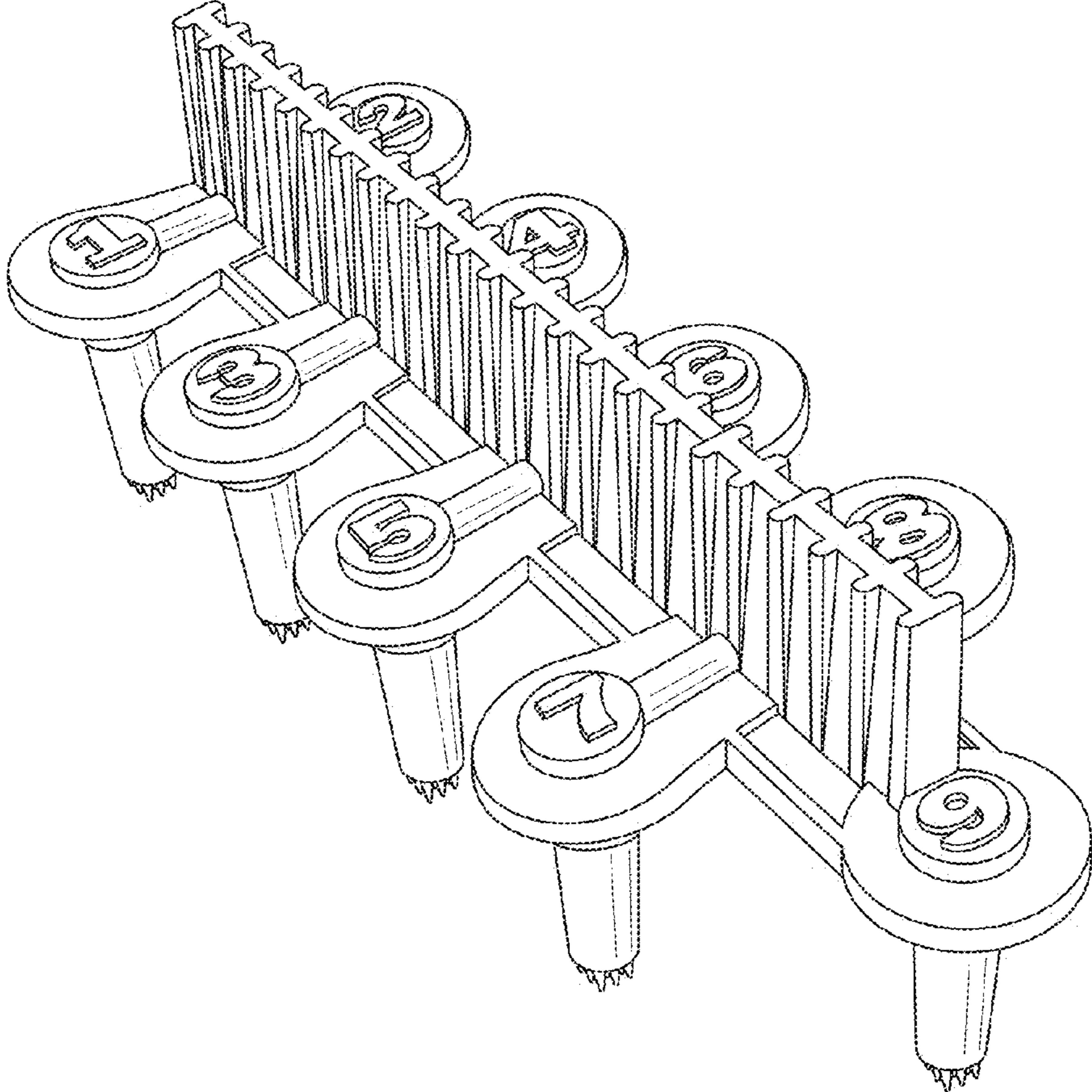


FIG. 1

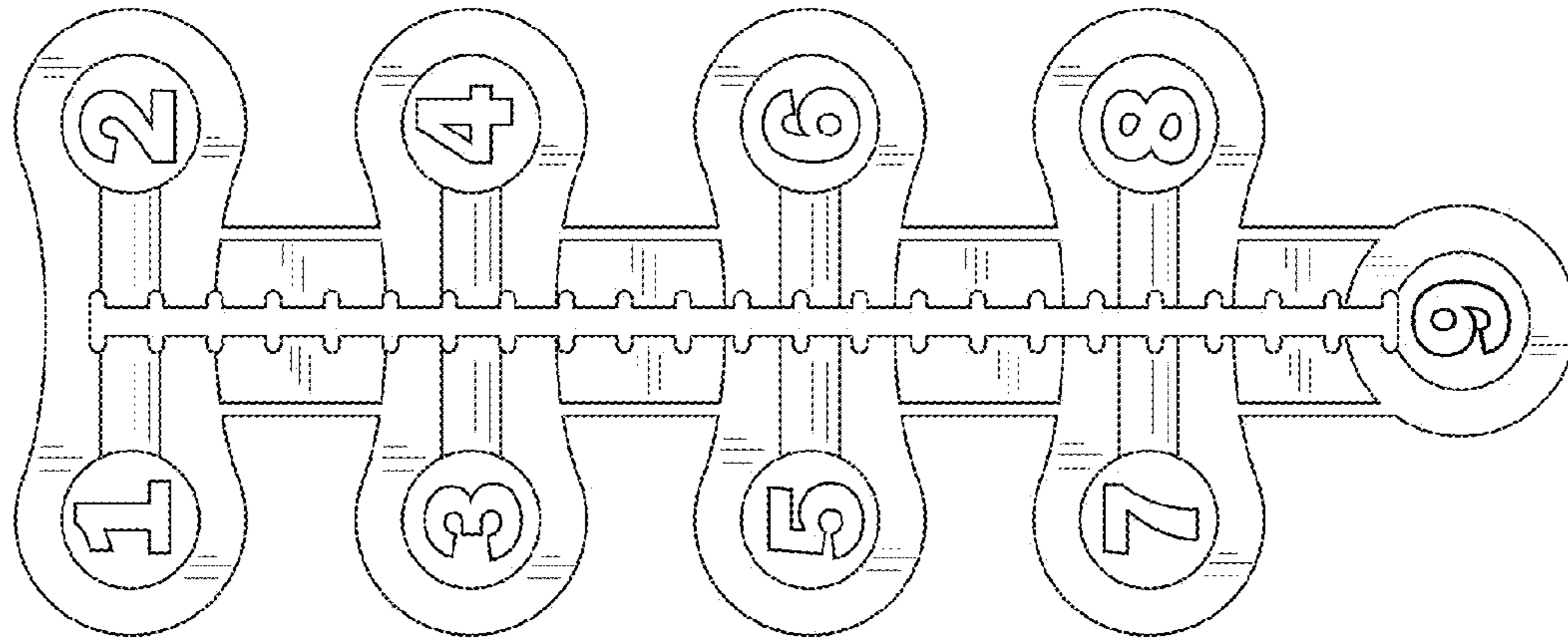


FIG. 2

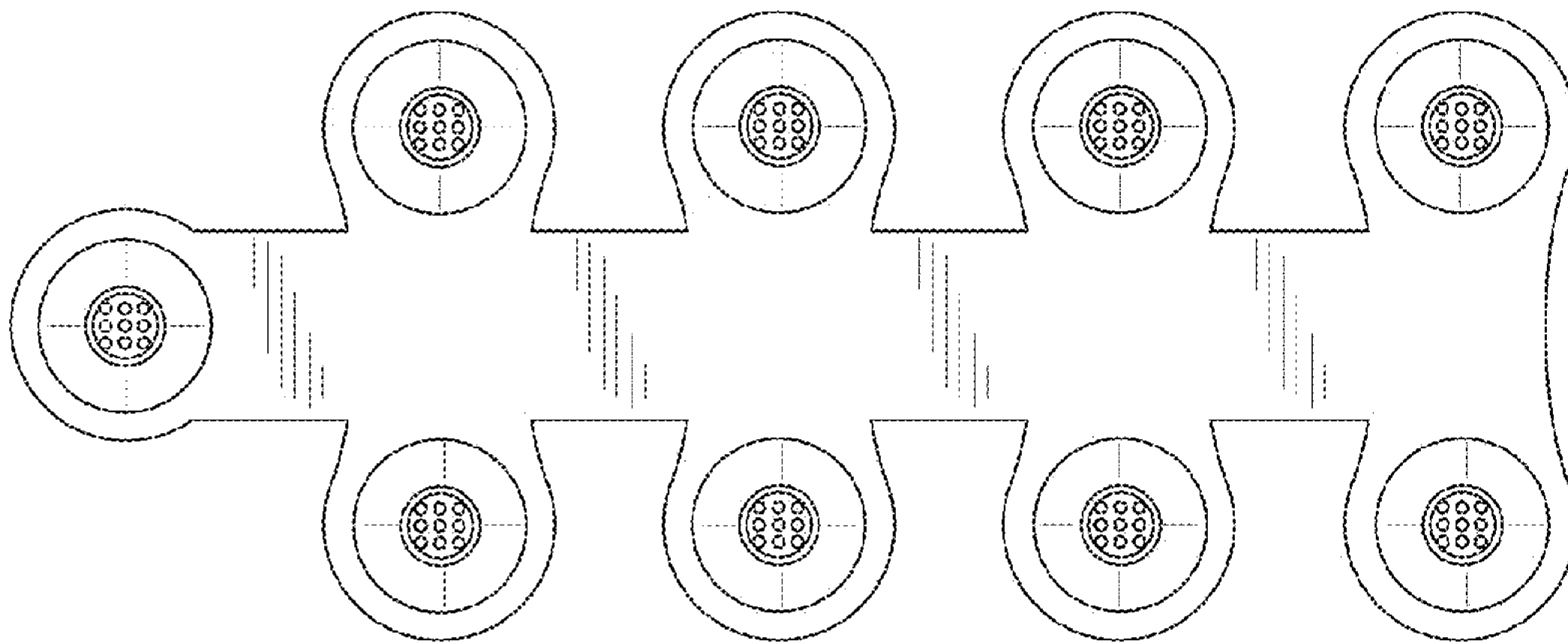


FIG. 3



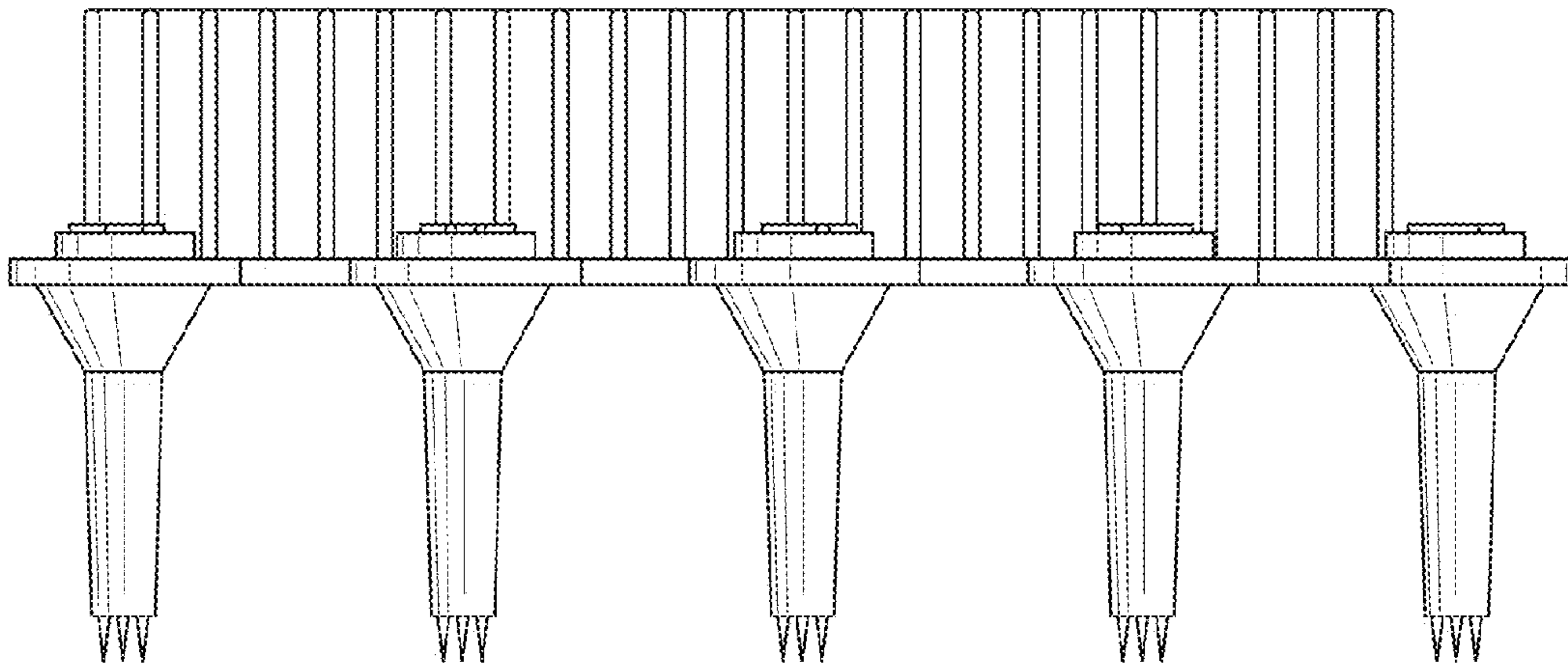


FIG. 4

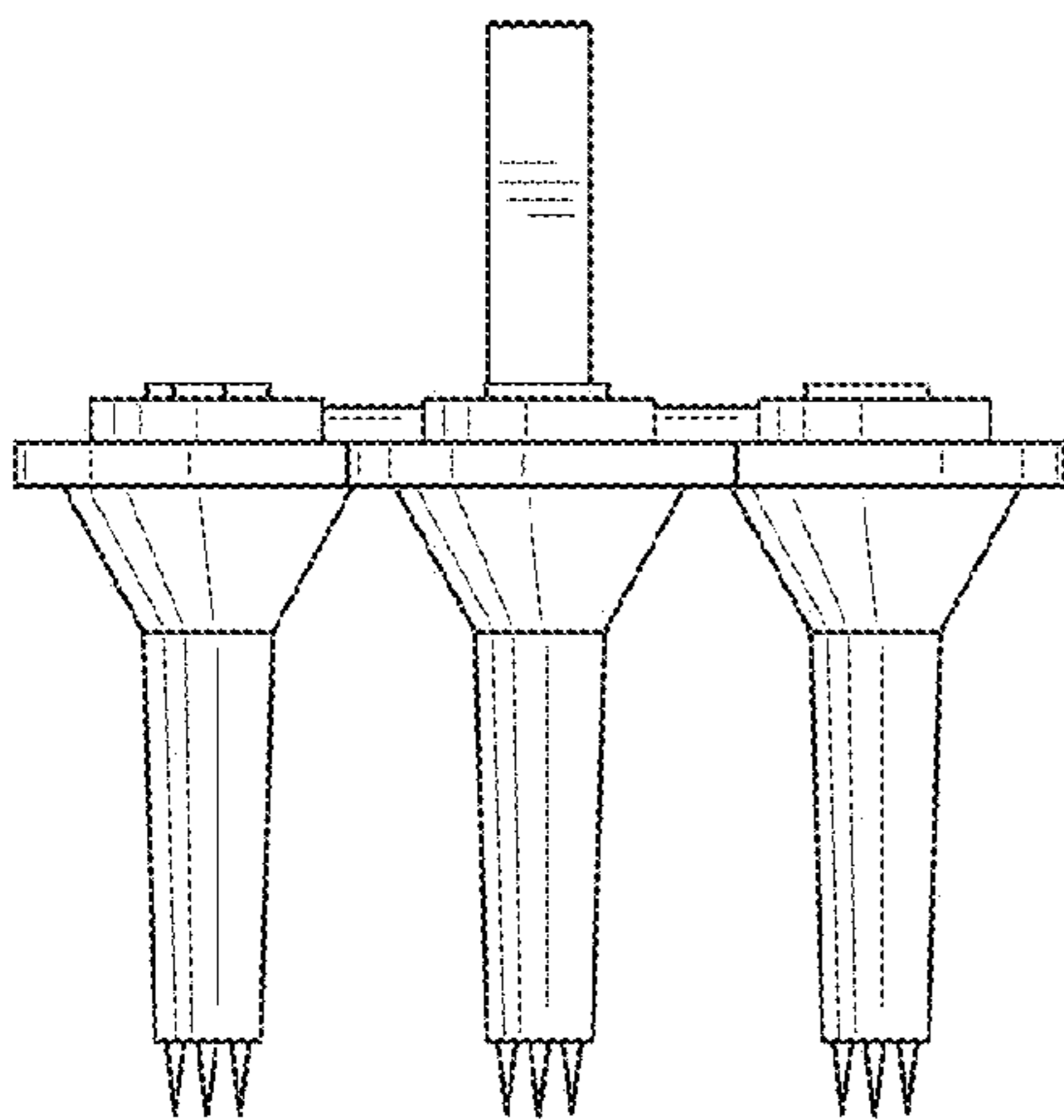


FIG. 5

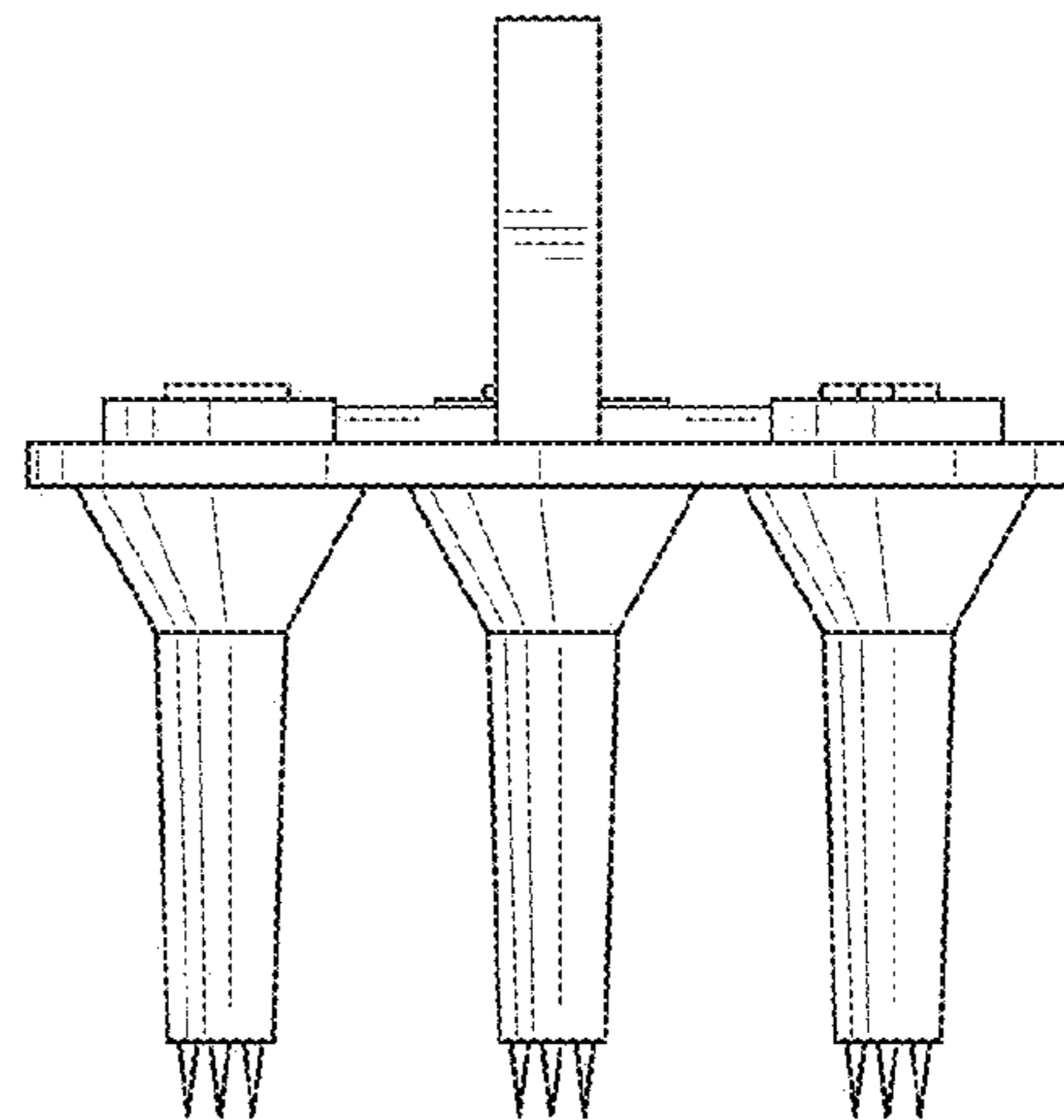


FIG. 6

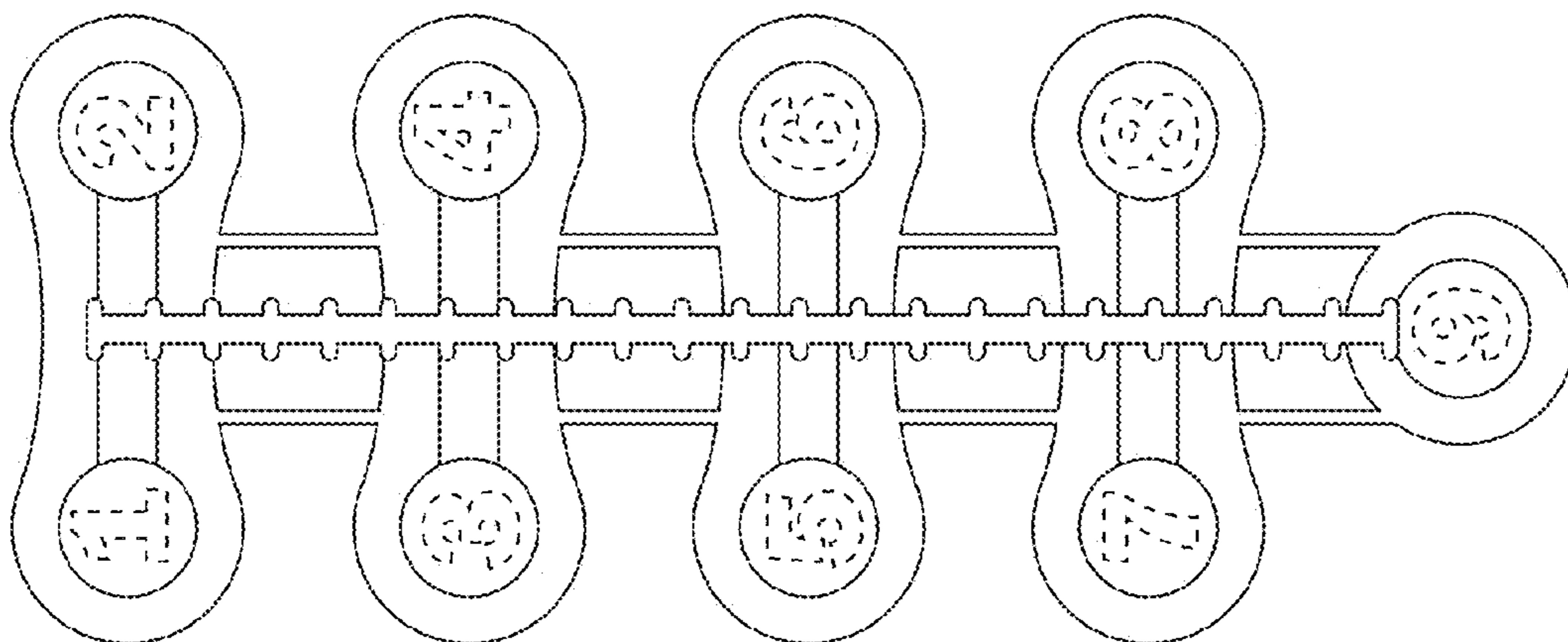


FIG. 7