

US00D764671S

(12) **United States Design Patent**
Penn

(10) **Patent No.:** **US D764,671 S**

(45) **Date of Patent:** **** Aug. 23, 2016**

(54) **DENTAL APPLIANCE**

(71) Applicant: **David Penn Consulting Pty Ltd,**
Double Bay (AU)

(72) Inventor: **David Penn,** Double Bay (AU)

(73) Assignee: **DAVID PENN CONSULTING PTY**
LTD, Double Bay (AU)

(**) Term: **14 Years**

(21) Appl. No.: **29/504,415**

(22) Filed: **Oct. 6, 2014**

(30) **Foreign Application Priority Data**

Apr. 5, 2014 (AU) 355238

(51) **LOC (10) Cl.** **24-01**

(52) **U.S. Cl.**
USPC **D24/176**

(58) **Field of Classification Search**
USPC D24/152, 156, 176–182; 433/93,
433/140–141, 148
CPC A61B 1/24; A61C 17/043; A61C 5/14
See application file for complete search history.

(56) **References Cited**

U.S. PATENT DOCUMENTS

2,694,397	A *	11/1954	Herms	A61B 1/24 D24/176
3,924,333	A *	12/1975	Erickson	A61C 17/043 433/93
5,924,866	A *	7/1999	Eldreth	A61C 17/043 433/140
6,098,627	A *	8/2000	Kellner	A61C 5/14 128/859
6,267,591	B1 *	7/2001	Barstow	A61C 5/14 433/140
6,655,960	B2 *	12/2003	Fischer	A61C 5/14 433/140
2011/0229847	A1 *	9/2011	Worthington	A61C 17/043 433/93

* cited by examiner

Primary Examiner — Wan Laymon

(74) *Attorney, Agent, or Firm* — Stephen J. Weyer; Stites & Harbison PLLC

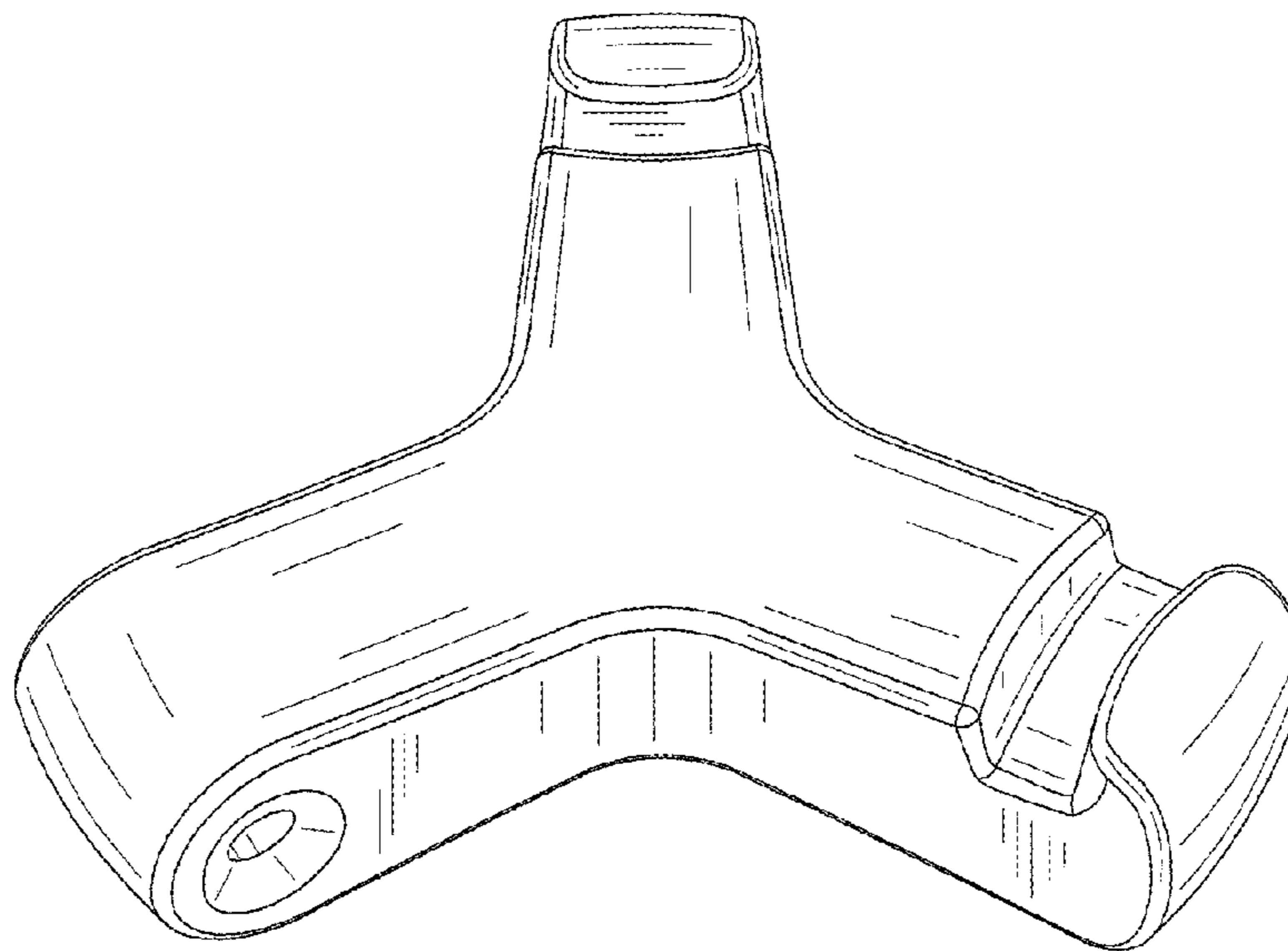
(57) **CLAIM**

The ornamental design for a dental appliance, as shown.

DESCRIPTION

FIG. 1 is a front, bottom and left side perspective view of a dental appliance showing the new design.
FIG. 2 is a rear, bottom and left side perspective view thereof.
FIG. 3 is a front view thereof.
FIG. 4 is a rear view thereof.
FIG. 5 is a right side view thereof; and,
FIG. 6 is a left side view thereof.

1 Claim, 6 Drawing Sheets



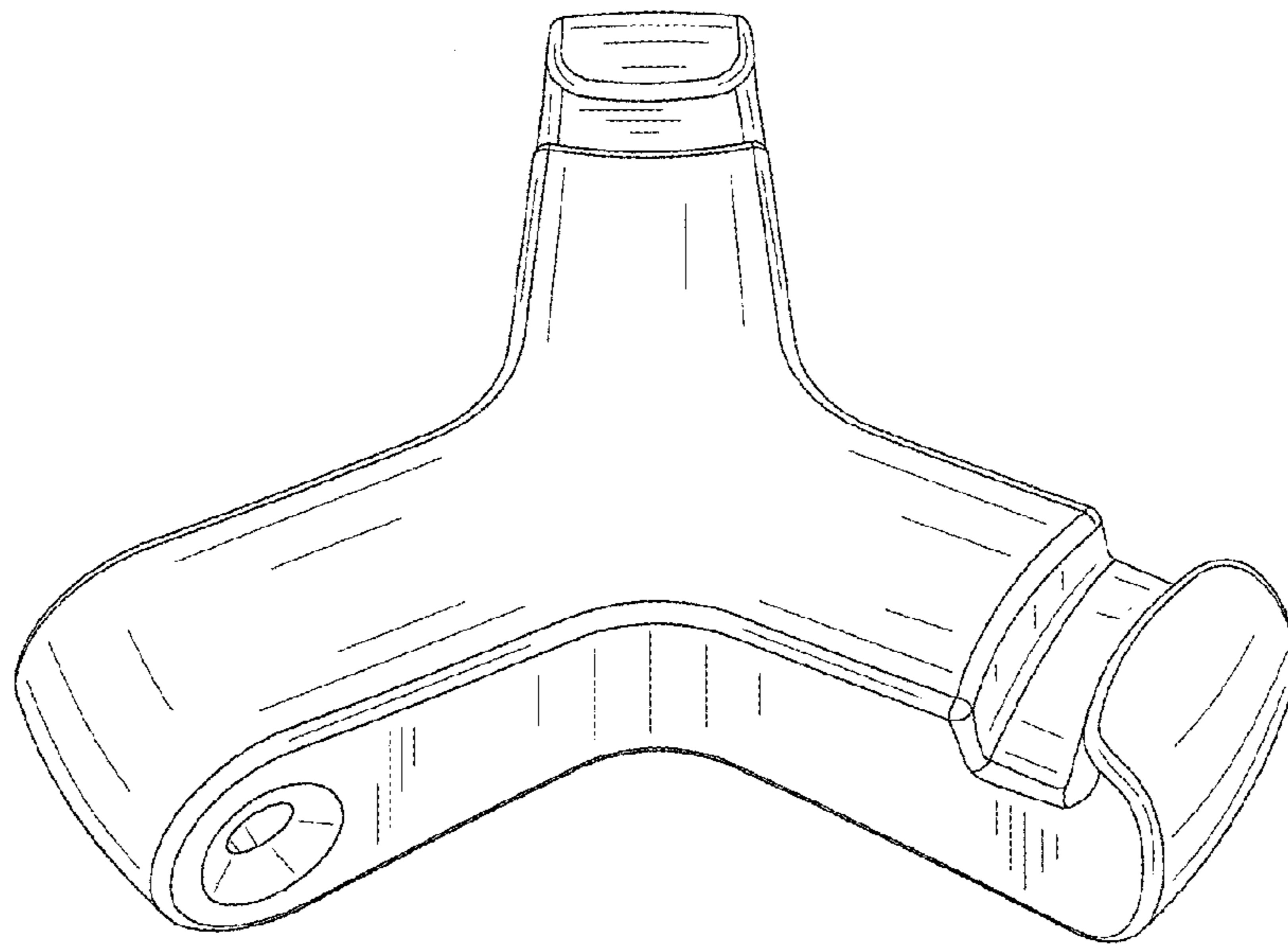


FIG. 1

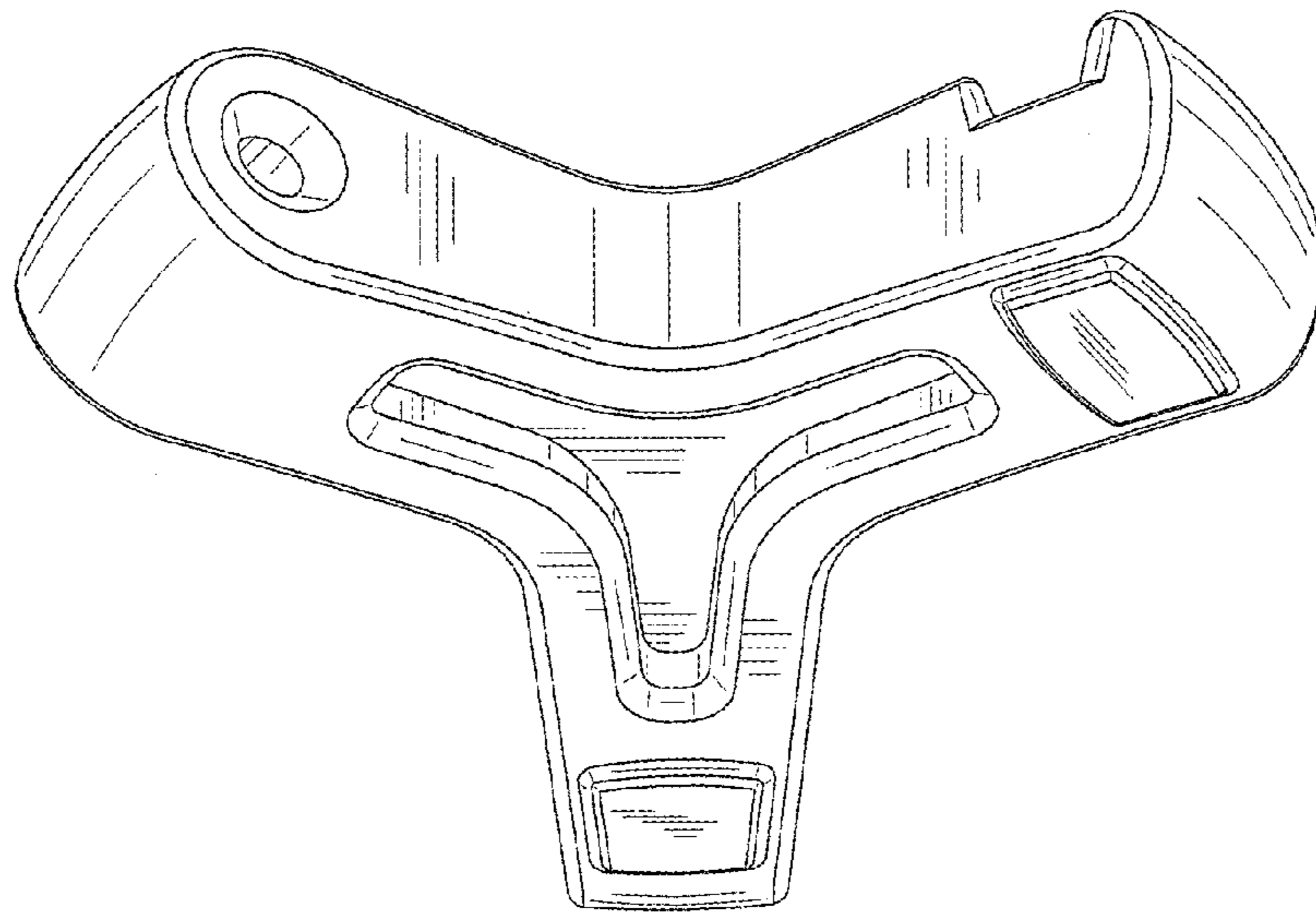


FIG. 2

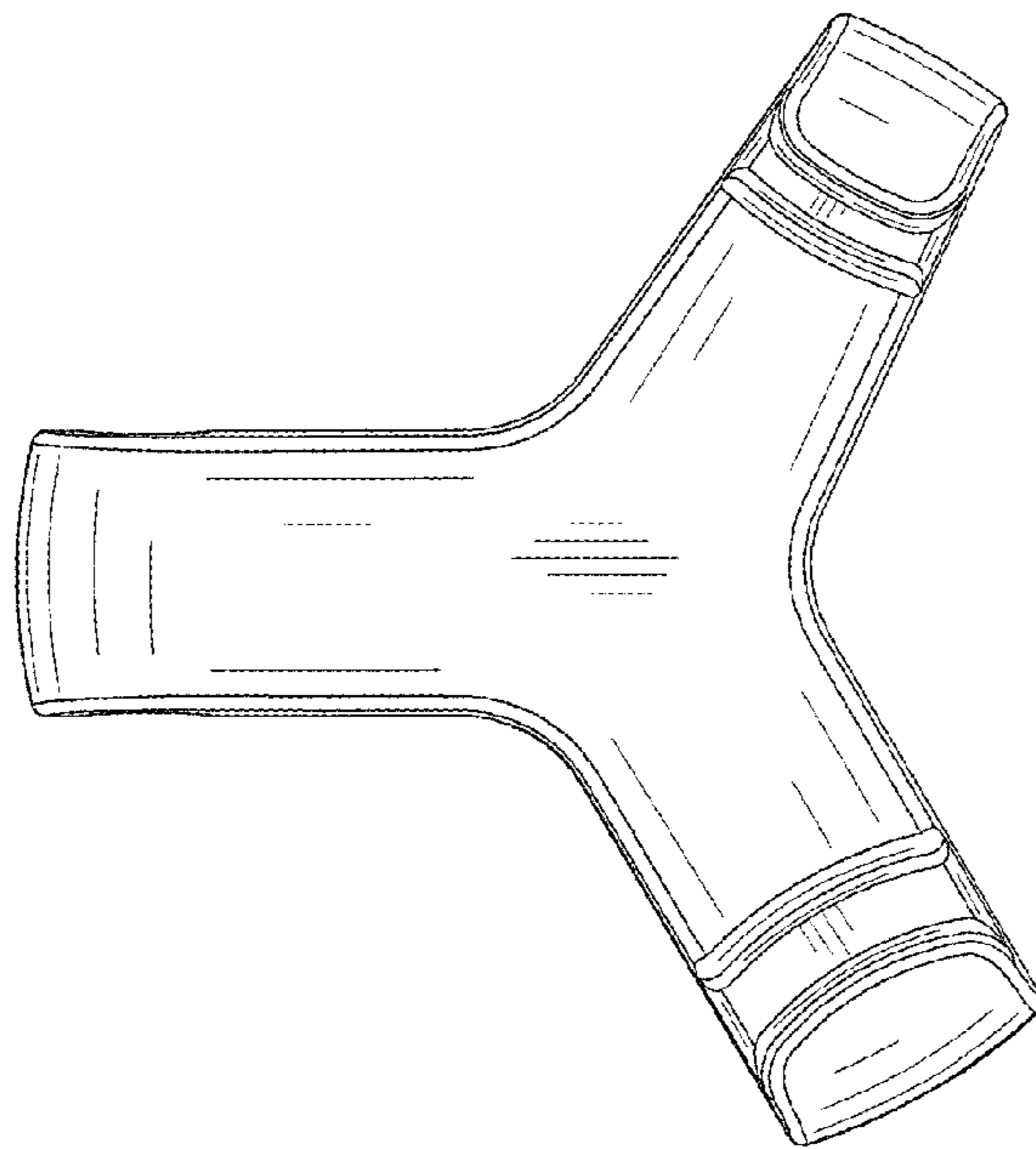


FIG. 3

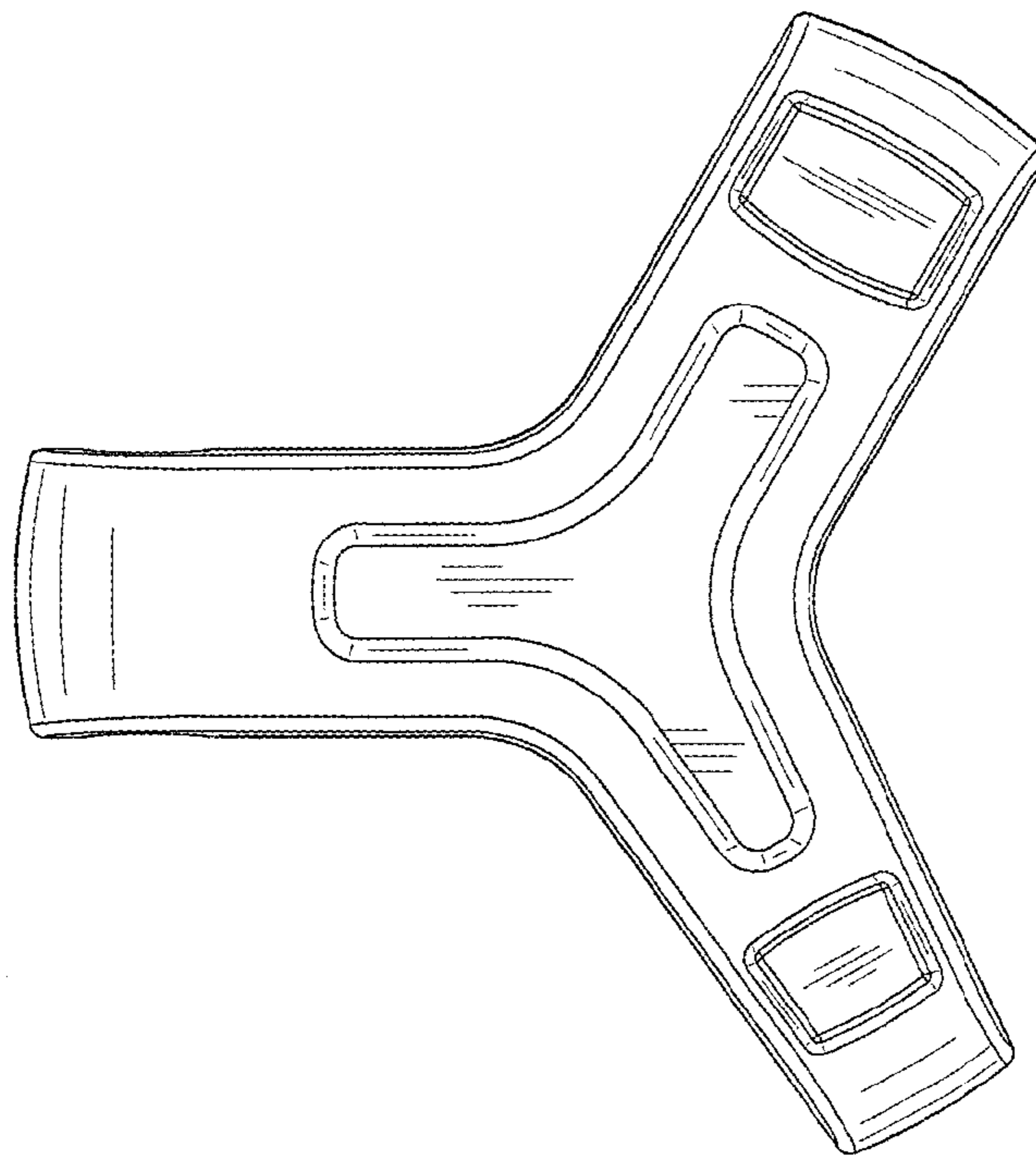


FIG. 4

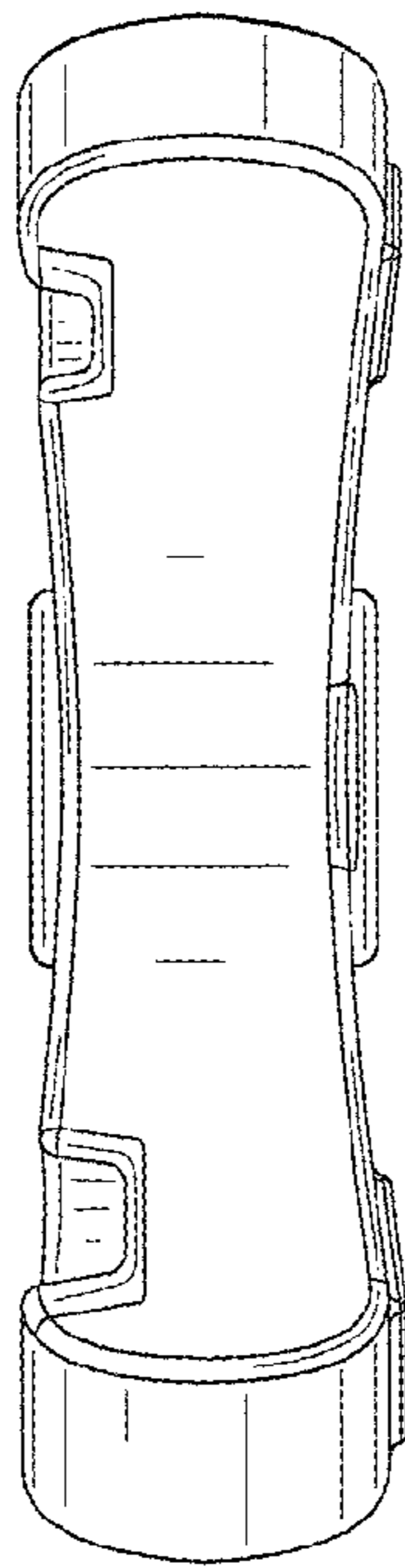


FIG. 5

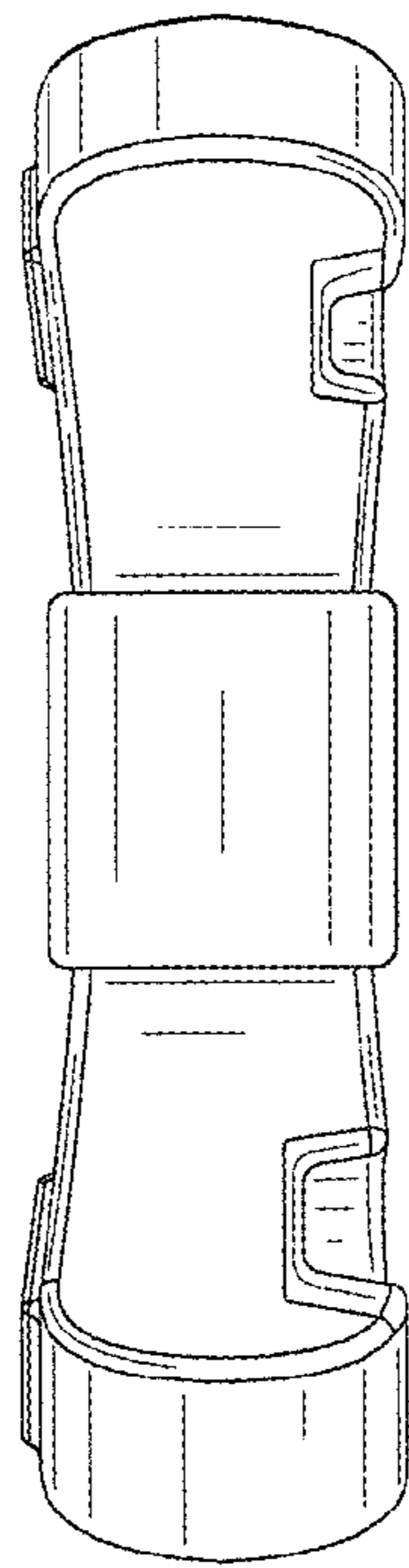


FIG. 6