

US00D764670S

(12) **United States Design Patent**  
**Finch et al.**

(10) **Patent No.:** **US D764,670 S**  
(45) **Date of Patent:** **\*\* Aug. 23, 2016**

(54) **PORTABLE DEFIBRILLATOR**

(56) **References Cited**

(71) Applicant: **Physio-Control, Inc.**, Redmond, WA  
(US)  
(72) Inventors: **David P. Finch**, Bothell, WA (US);  
**Phillip D. Foshee, Jr.**, Woodinville, WA  
(US); **Laura M. Gustavson**, Redmond,  
WA (US); **Robert R. Buchanan**,  
Redmond, WA (US); **Kenneth Cowan**,  
Kirkland, WA (US); **Daniel J. Finney**,  
Woodinville, WA (US); **Jason W. Fouts**,  
Bothell, WA (US); **Karen E. McEwen**,  
Kenmore, WA (US)  
(73) Assignee: **West Affum Holdings Corp.**, Grand  
Cayman (KY)

U.S. PATENT DOCUMENTS

D238,208	S	*	12/1975	Hesen	.....	D2/701
D377,097	S	*	12/1996	Olson	.....	D24/168
5,807,271	A	*	9/1998	Tayebi	.....	A61B 5/02411 600/511
6,065,154	A	*	5/2000	Hulings	.....	A61N 1/0484 2/102
6,280,461	B1	*	8/2001	Glegyak	.....	A61N 1/39 607/5
D451,604	S	*	12/2001	Kasabach	.....	D24/186
D646,478	S	*	10/2011	Eckels	.....	D3/203.1
D717,442	S	*	11/2014	Kaib	.....	D24/167
D717,444	S	*	11/2014	Pastrick	.....	D24/167
2012/0144551	A1	*	6/2012	Guldalian	.....	A61B 5/6805 2/102
2012/0158075	A1	*	6/2012	Kaib	.....	A61N 1/046 607/7
2014/0243918	A1	*	8/2014	Sullivan	.....	A61N 1/046 607/6

\* cited by examiner

*Primary Examiner* — Anhdao Doan

(74) *Attorney, Agent, or Firm* — Marger Johnson

(\*\*) Term: **14 Years**

(21) Appl. No.: **29/512,696**

(57) **CLAIM**

The ornamental design for a portable defibrillator, as shown and described.

(22) Filed: **Dec. 22, 2014**

**DESCRIPTION**

(51) **LOC (10) Cl.** ..... **24-01**

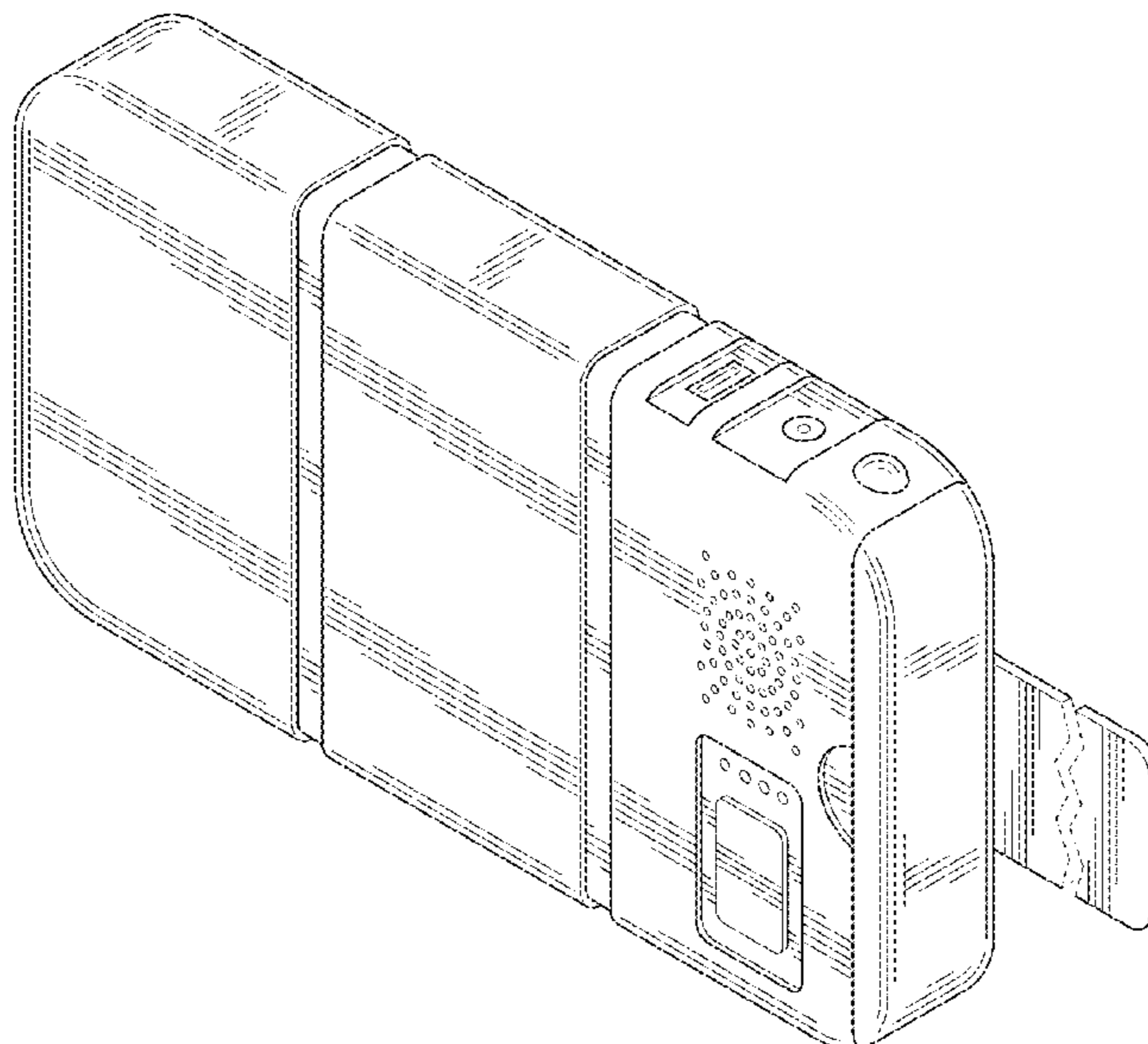
(52) **U.S. Cl.**  
USPC ..... **D24/167**

(58) **Field of Classification Search**  
USPC ..... D24/164–168, 186, 187; D3/203.1;  
D10/75  
CPC ..... A61N 1/39; A61N 1/3925; A61N 1/3968;  
A61N 1/3987; A61N 1/3993; A61B 5/6805;  
A61B 5/6823

FIG. 1 is a perspective view of a portable defibrillator;  
FIG. 2 is a front view thereof;  
FIG. 3 is a top view thereof;  
FIG. 4 is a first end view thereof;  
FIG. 5 is a second end view thereof;  
FIG. 6 is a bottom view thereof; and,  
FIG. 7 is a rear view thereof.  
Portions of the strap shown in broken lines form no part of the claimed design. The broken lines form no part of the claimed design.

See application file for complete search history.

**1 Claim, 3 Drawing Sheets**



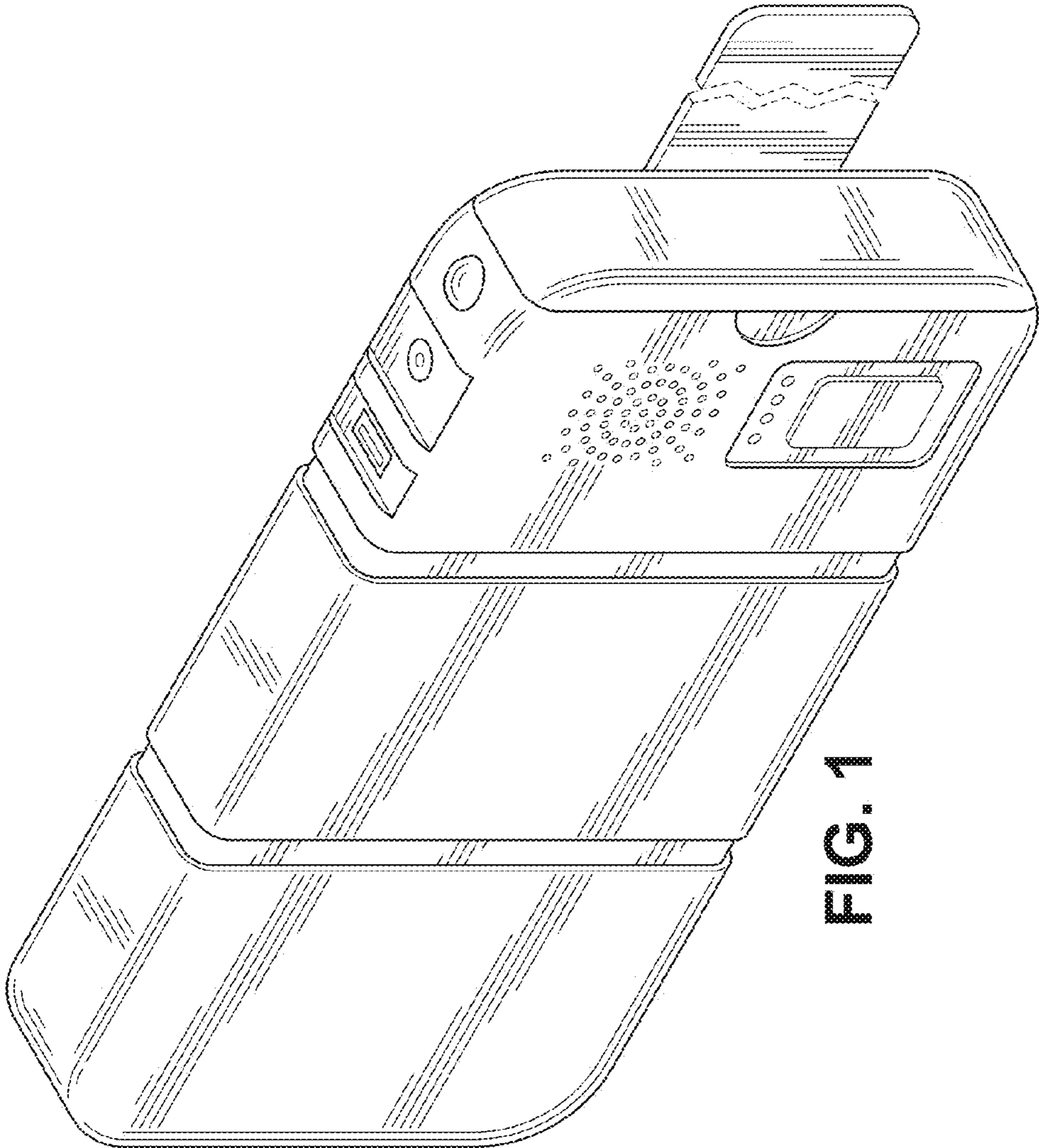


FIG. 1

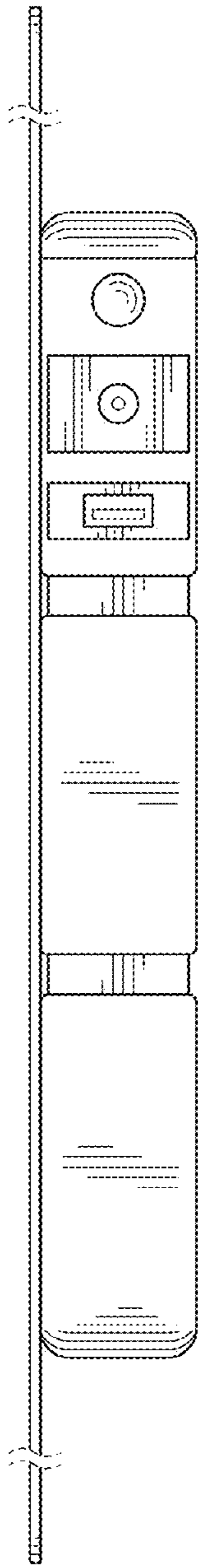


FIG. 3

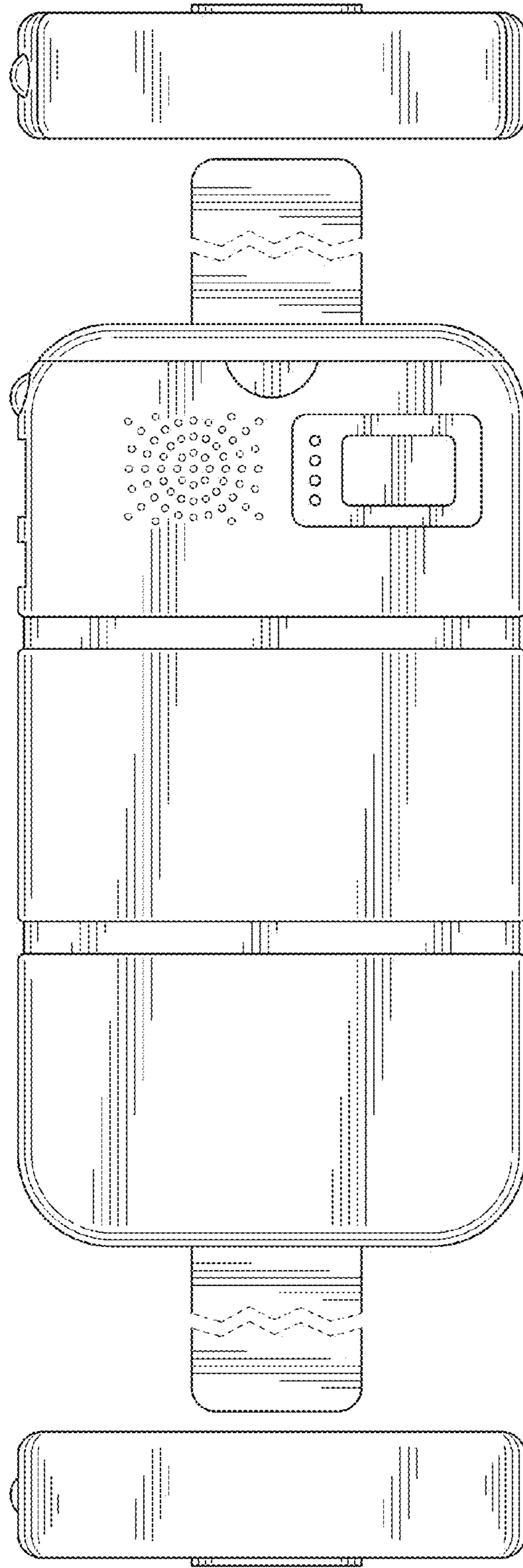


FIG. 4

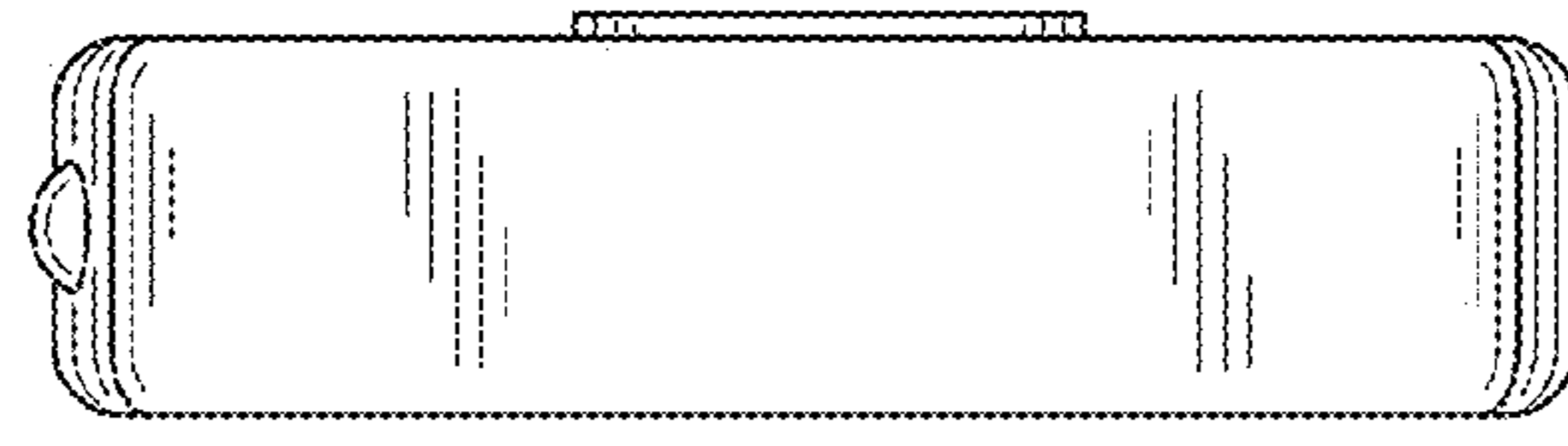


FIG. 5

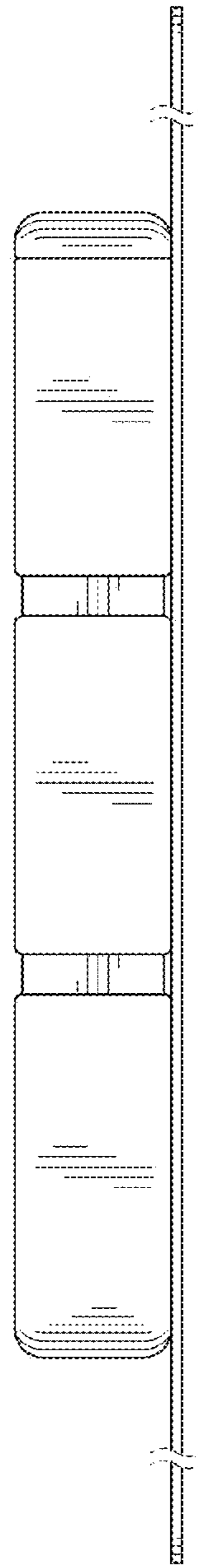


FIG. 6

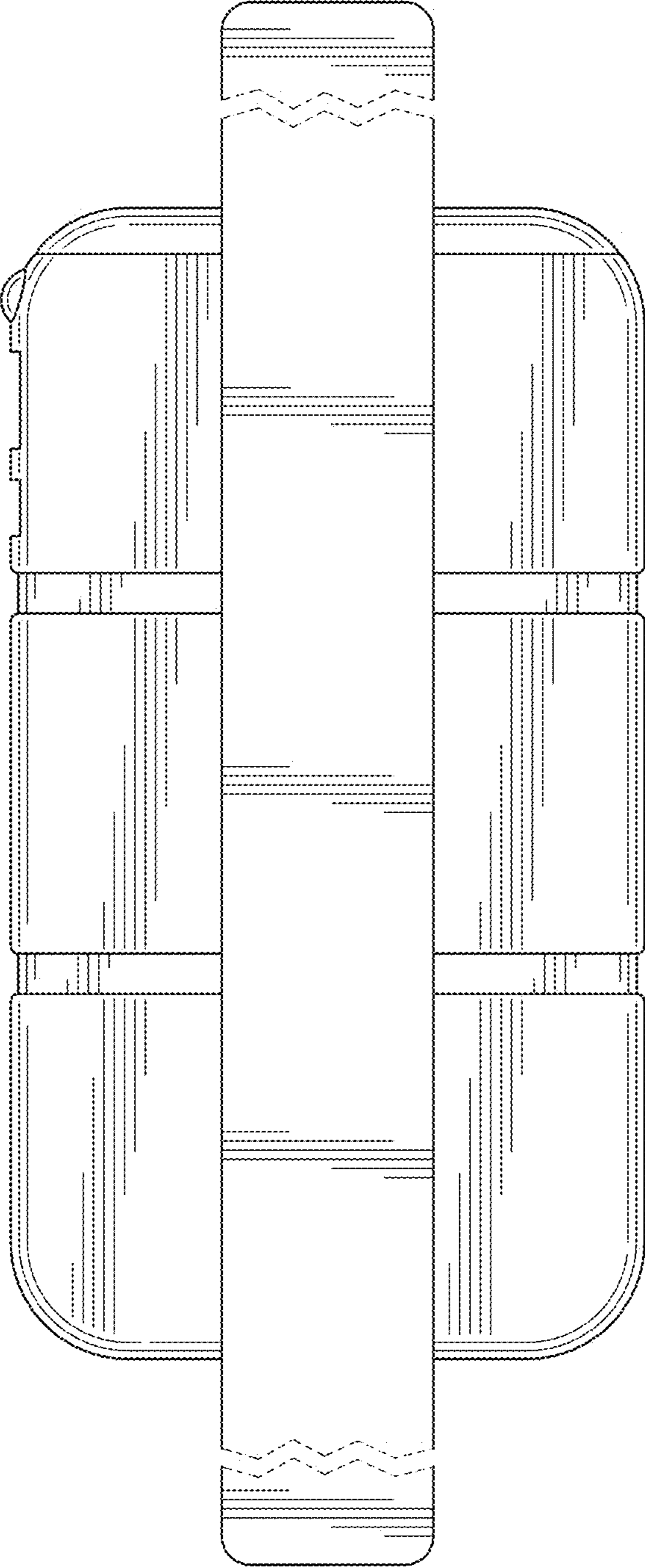


FIG. 7

UNITED STATES PATENT AND TRADEMARK OFFICE  
**CERTIFICATE OF CORRECTION**

PATENT NO. : D764,670 S  
APPLICATION NO. : 29/512696  
DATED : August 23, 2016  
INVENTOR(S) : David P. Finch et al.

Page 1 of 1

It is certified that error appears in the above-identified patent and that said Letters Patent is hereby corrected as shown below:

On the Title Page

The following information should be inserted:

--(30) Foreign Priority Application Data

June 24, 2014 (EP) ..... 002489633--.

Signed and Sealed this  
Thirtieth Day of May, 2017



Michelle K. Lee  
*Director of the United States Patent and Trademark Office*