

US00D764669S

(12) **United States Design Patent**
Birath et al.

(10) **Patent No.:** **US D764,669 S**

(45) **Date of Patent:** **** Aug. 23, 2016**

(54) **VENTILATOR**

(71) Applicants: **Martin Birath**, Lidingö (SE); **Karin Blomquist**, Sollentuna (SE); **Johan Reuterholt**, Bålsta (SE)

(72) Inventors: **Martin Birath**, Lidingö (SE); **Karin Blomquist**, Sollentuna (SE); **Johan Reuterholt**, Bålsta (SE)

(73) Assignee: **Maquet Critical Care AB**, Solna (SE)

(**) Term: **14 Years**

(21) Appl. No.: **29/519,356**

(22) Filed: **Mar. 4, 2015**

(30) **Foreign Application Priority Data**

Sep. 12, 2014 (EM) 2537068

(51) **LOC (10) Cl.** **24-00**

(52) **U.S. Cl.**
USPC **D24/164**

(58) **Field of Classification Search**
USPC D24/185, 158, 164, 186, 234, 128;
280/47.34, 47.35; 600/407; 108/24, 6
CPC A61M 16/0051; A61B 19/0241; A61B
5/0002; A61B 17/00; A45C 9/00
See application file for complete search history.

(56) **References Cited**

U.S. PATENT DOCUMENTS

- D486,915 S * 2/2004 Warschewske D24/185
- D549,921 S 8/2007 Reckelhoff
- D578,204 S 10/2008 Lithgow et al.
- 7,490,837 B2 * 2/2009 Pond A61B 17/00
280/47.35
- D588,272 S * 3/2009 Meiser D24/185
- D606,202 S * 12/2009 Banryu D24/185
- D613,866 S * 4/2010 Tanaka D24/185

- D626,235 S * 10/2010 Smith D24/158
- D632,796 S * 2/2011 Ross D24/185
- D632,797 S * 2/2011 Ross D24/185
- D643,535 S * 8/2011 Ross D24/164

(Continued)

Primary Examiner — Holly Baynham

Assistant Examiner — Rhea Shields

(74) *Attorney, Agent, or Firm* — Schiff Hardin LLP

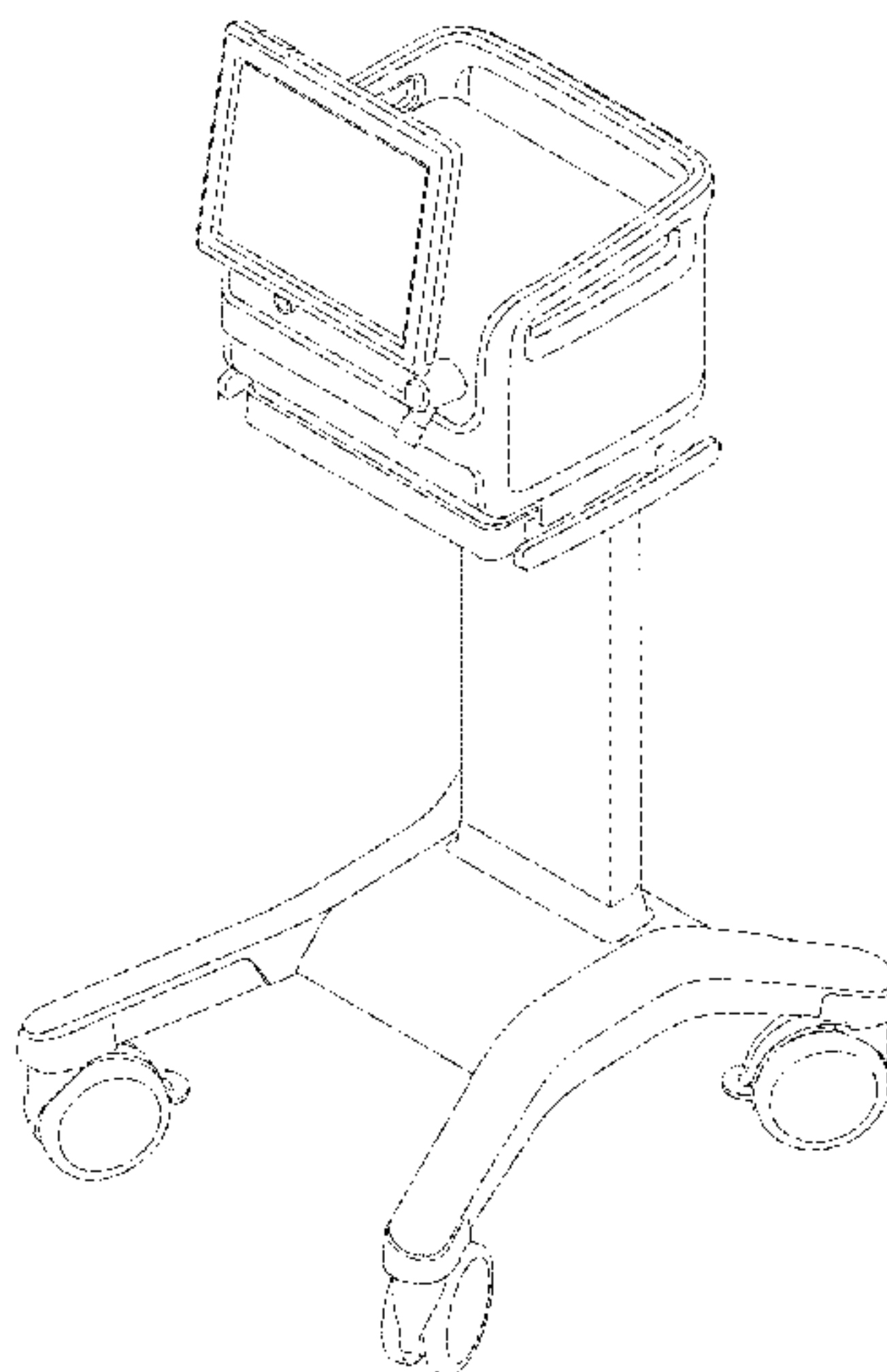
(57) **CLAIM**

The ornamental design for a ventilator, as shown and described.

DESCRIPTION

FIG. 1 is a perspective view from a direction between a front and a right side of a ventilator with a screen pulled out; FIG. 2 is a right side elevational view of the ventilator of FIG. 1; FIG. 3 is a left side elevational view of the ventilator of FIG. 1; FIG. 4 is a front elevational view of the ventilator of FIG. 1; FIG. 5 is a rear elevational view of the ventilator of FIG. 1; FIG. 6 is a top plan view of the ventilator of FIG. 1; FIG. 7 is a bottom plan view of the ventilator of FIG. 1; FIG. 8 is a perspective view from a direction between the front and the right side of the ventilator of FIG. 1 with the screen folded; FIG. 9 is a right side elevational view of the ventilator of FIG. 8; FIG. 10 is a left side elevational view of the ventilator of FIG. 8; FIG. 11 is a front elevational view of the ventilator of FIG. 8; FIG. 12 is a rear elevational view of the ventilator of FIG. 8; FIG. 13 is a top plan view of the ventilator of FIG. 8; and, FIG. 14 is a bottom plan view of the ventilator of FIG. 8. In the drawings, the broken lines are for the purpose of illustrating environment only and form no part of the claimed design.

1 Claim, 14 Drawing Sheets



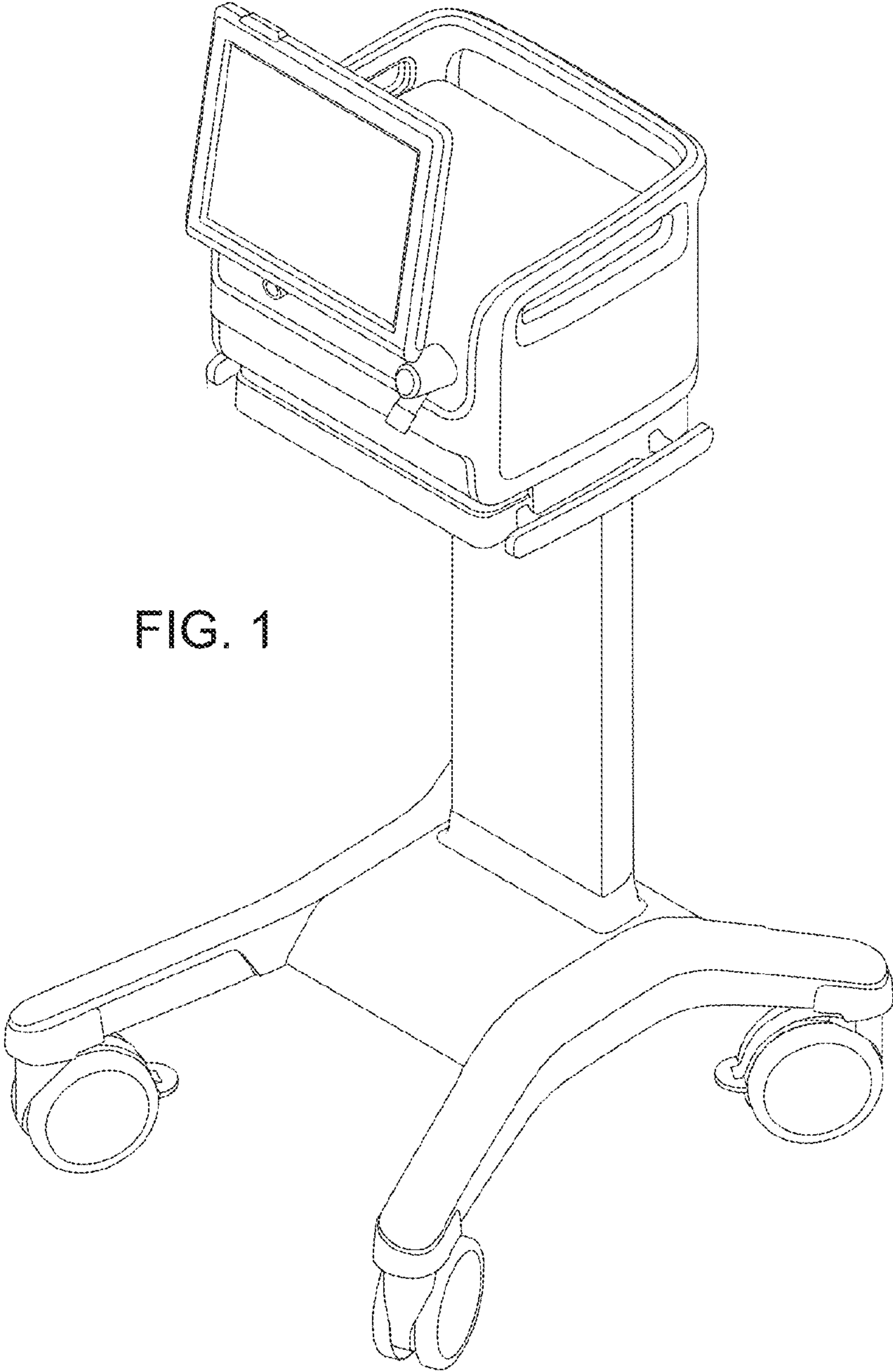
(56)

References Cited

U.S. PATENT DOCUMENTS

D648,855 S *	11/2011	Smith	D24/158	D700,704 S	3/2014	Kitt et al.	
D652,936 S *	1/2012	Ross	D24/185	D700,705 S	3/2014	Kitt et al.	
D657,470 S *	4/2012	Schon	D24/186	D700,706 S *	3/2014	Molter D24/185
D658,283 S	4/2012	Burz et al.			D702,840 S *	4/2014	Blomquist D24/164
8,240,684 B2 *	8/2012	Ross	A61M 16/0051	D708,341 S	7/2014	Ikegame et al.	
				280/47.34	D720,165 S	12/2014	Kincaid et al.	
8,286,977 B2 *	10/2012	Butler	A61B 19/0248	D720,854 S	1/2015	Kim	
				280/47.34	D722,696 S *	2/2015	Blomquist D24/164
D687,147 S *	7/2013	Yoshida	D24/185	8,944,260 B2	2/2015	Hawkins	
D687,149 S	7/2013	Chang			D733,887 S *	7/2015	Blomquist D24/164
D696,395 S	12/2013	Burz et al.			D739,025 S *	9/2015	Blomquist D24/164
D696,783 S *	12/2013	Chung	D24/185	D739,936 S *	9/2015	Blomquist D24/162
D697,626 S	1/2014	Laplante et al.			9,149,111 B1	10/2015	Lin	
D698,448 S	1/2014	Heck			2003/0140822 A1	7/2003	Seiler et al.	
D699,356 S	2/2014	Patil			2005/0288571 A1 *	12/2005	Perkins A61B 5/0002
D699,852 S *	2/2014	Chung	D24/158				600/407
					2011/0056412 A1 *	3/2011	Grammer A45C 9/00
								108/6

* cited by examiner



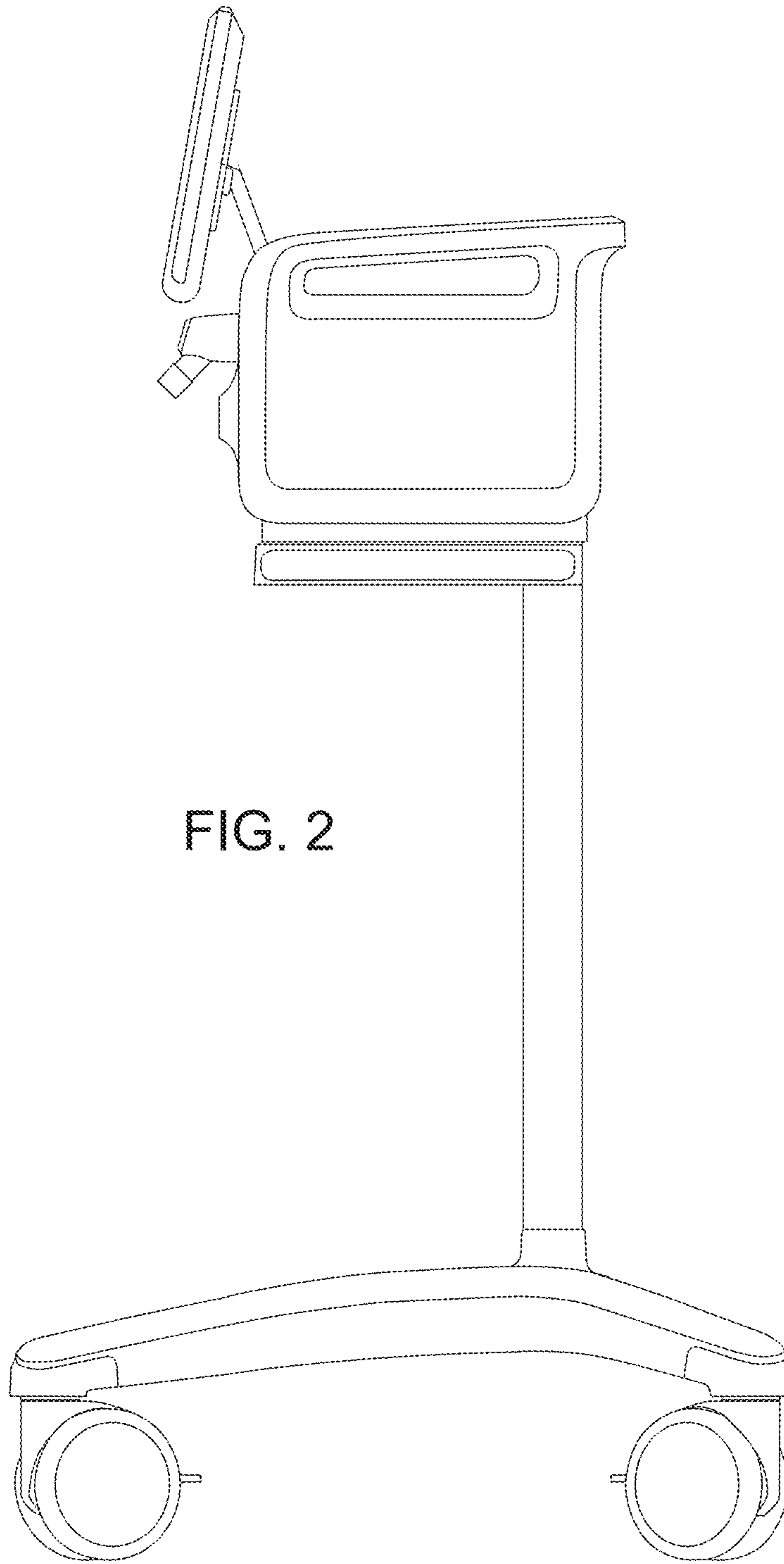


FIG. 2

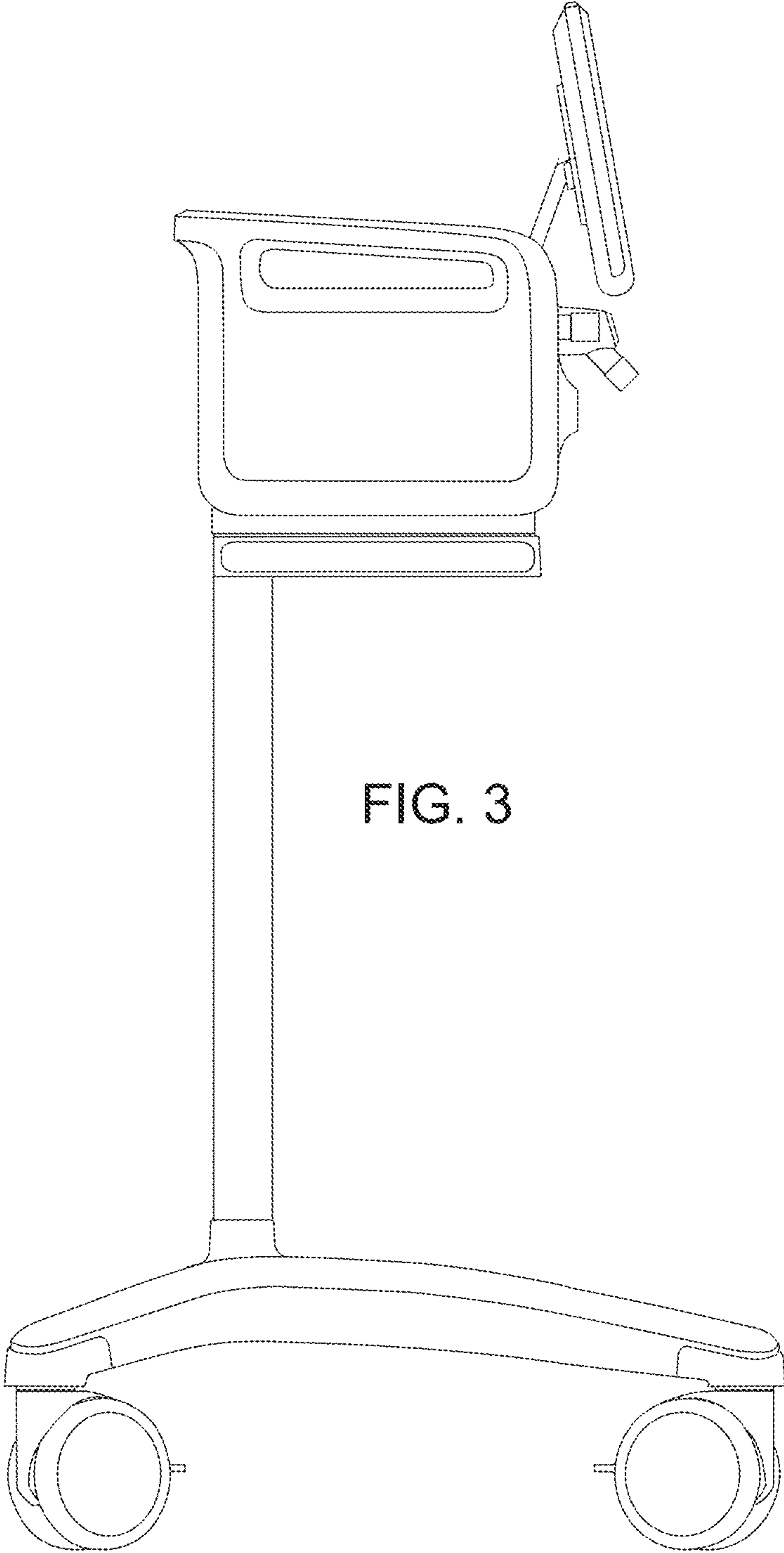


FIG. 3

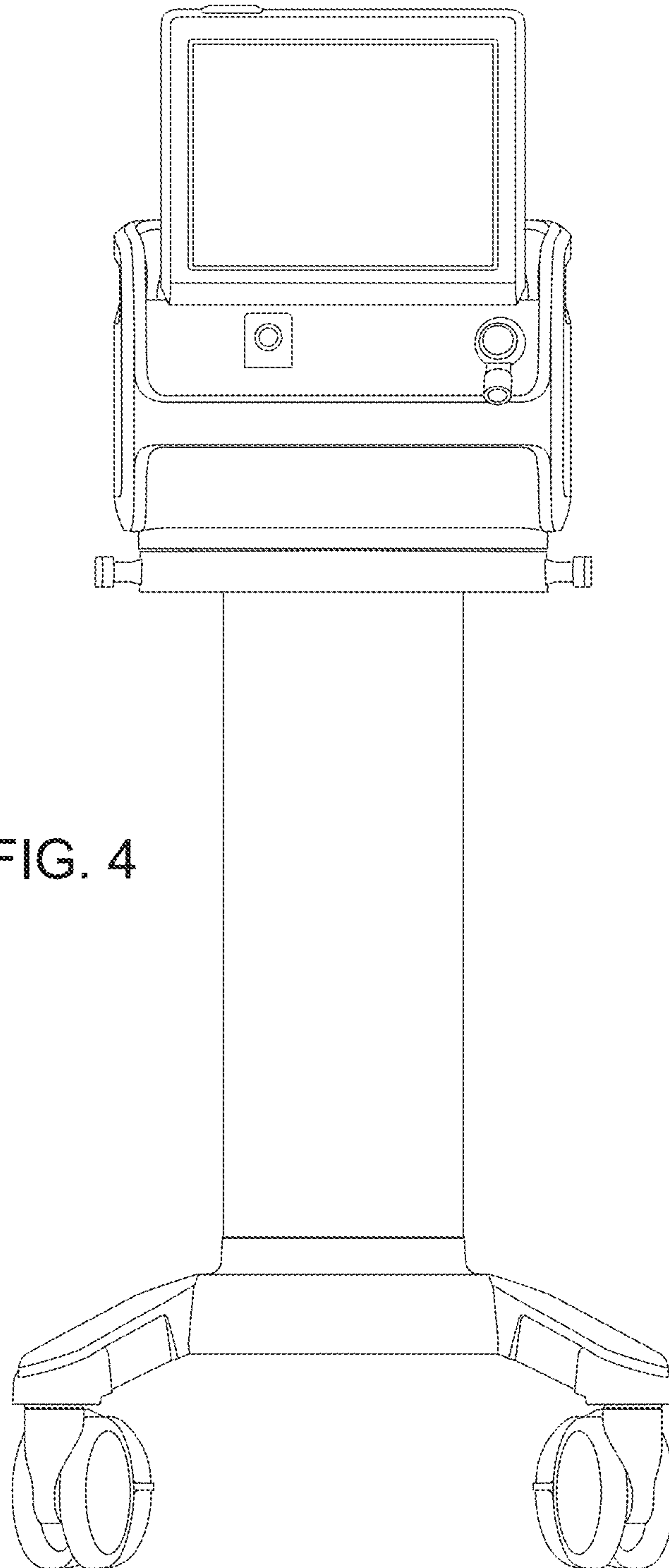


FIG. 4

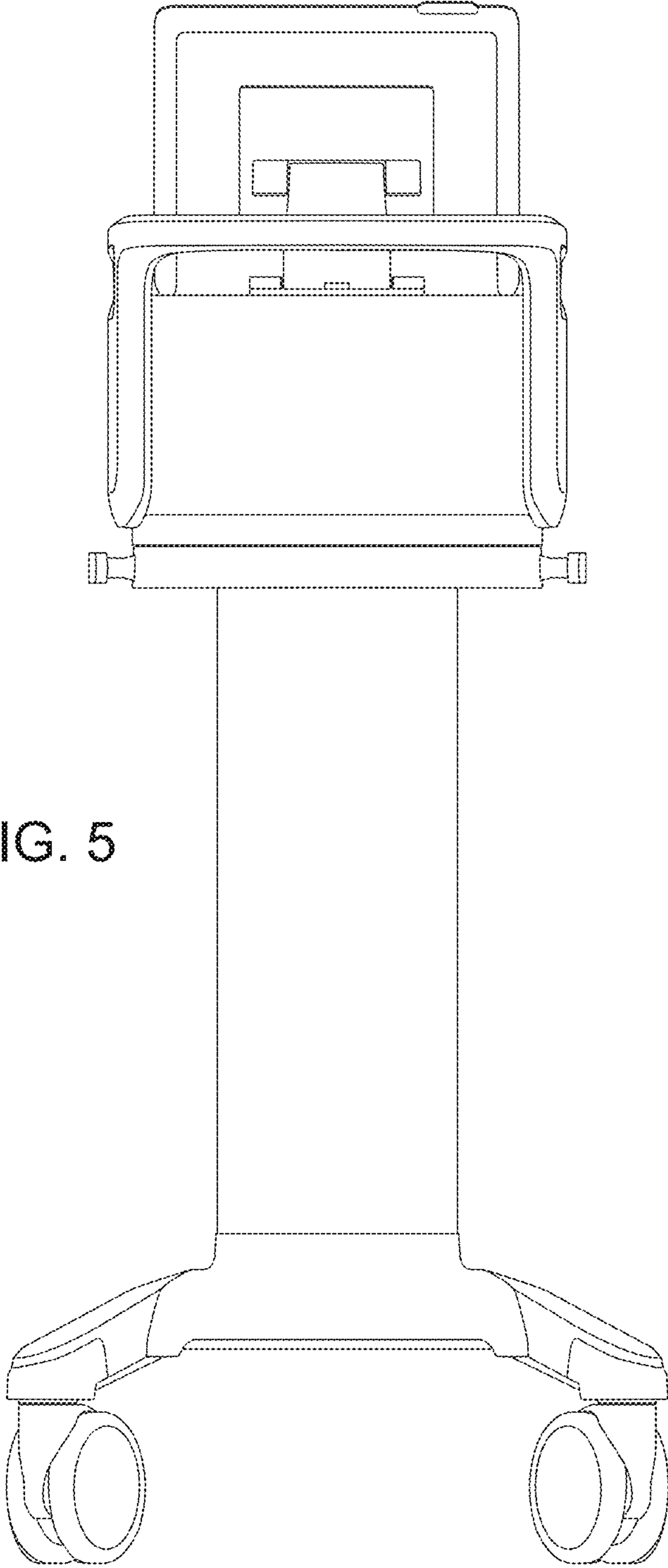


FIG. 5

FIG. 6

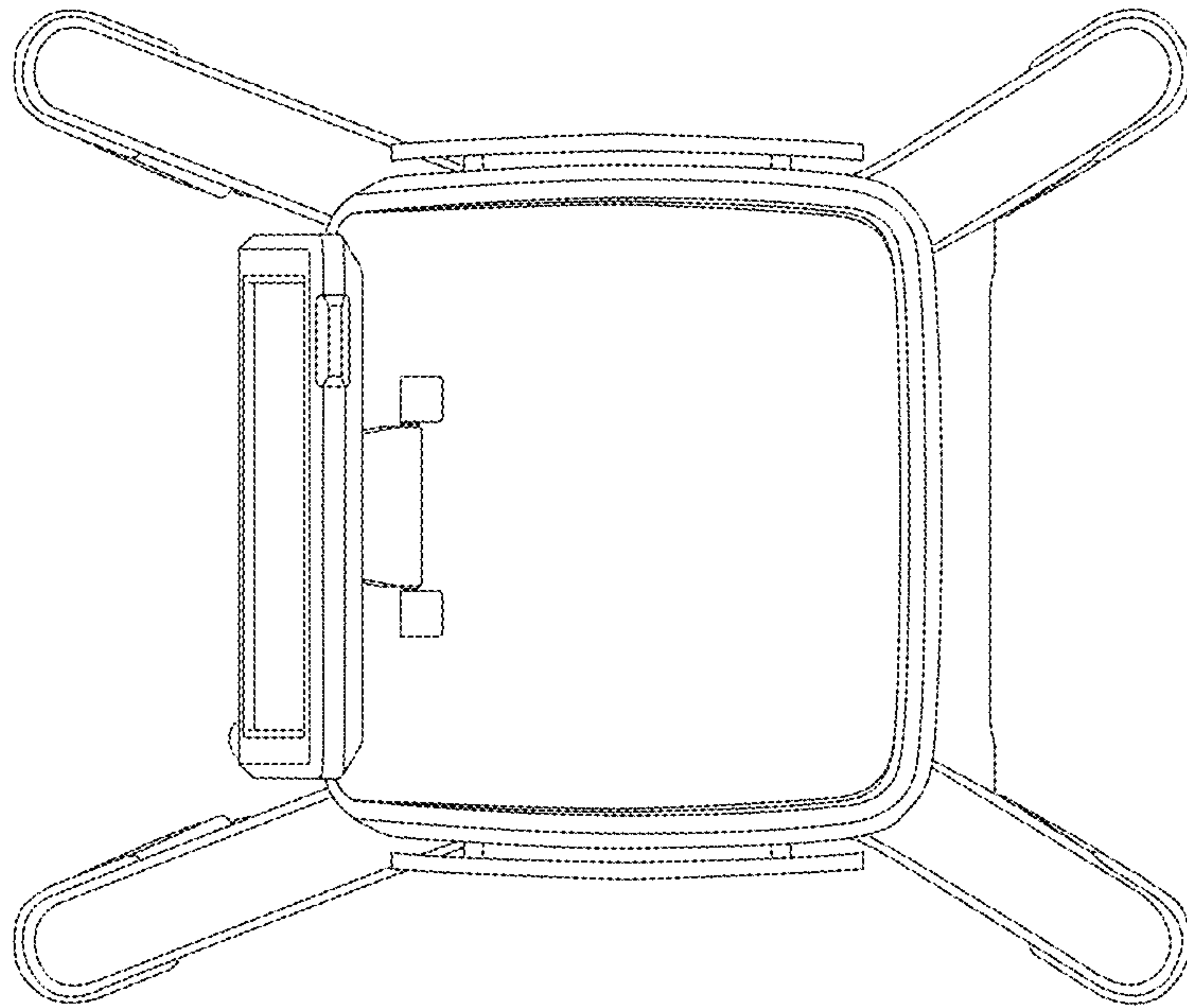
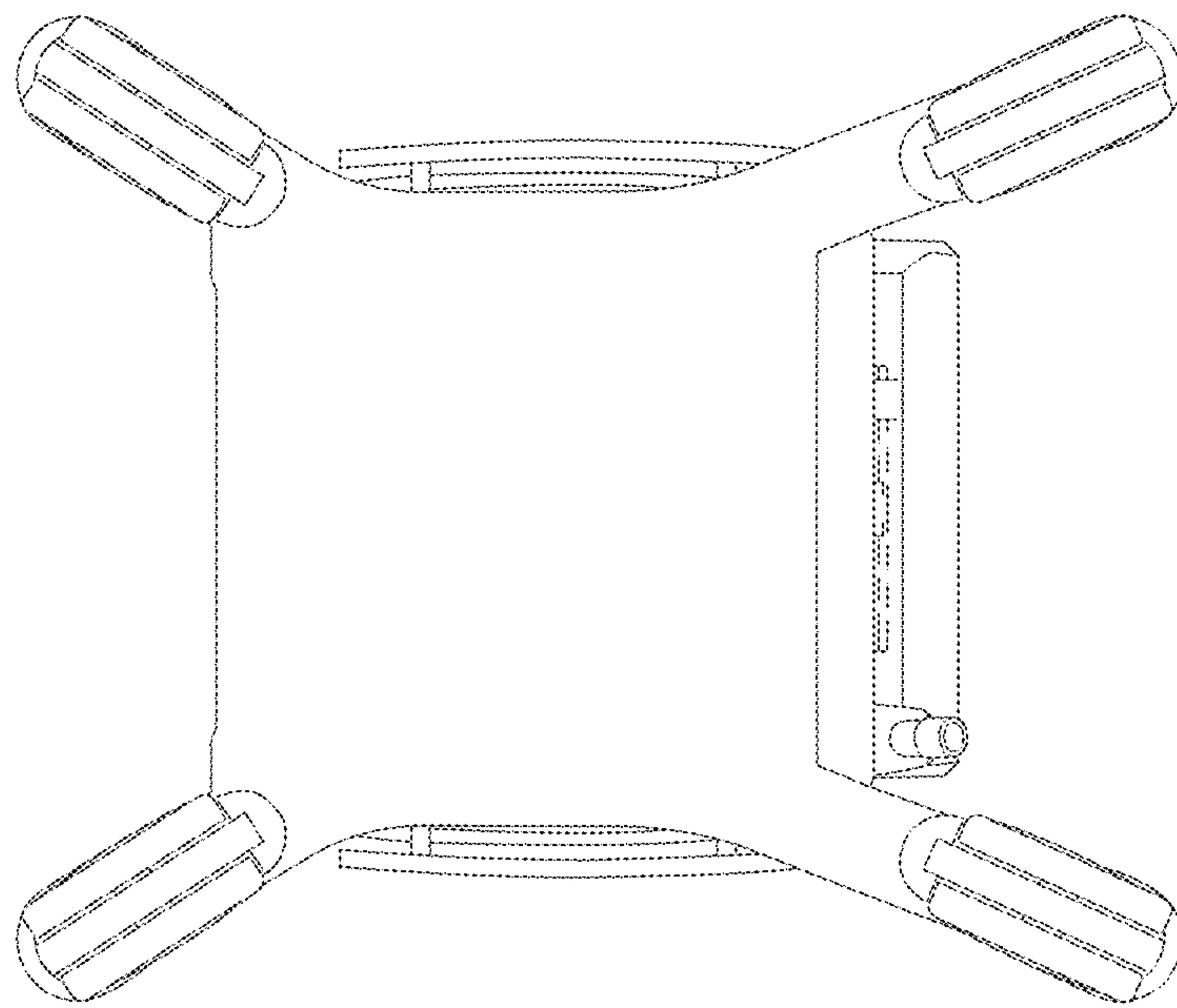


FIG. 7



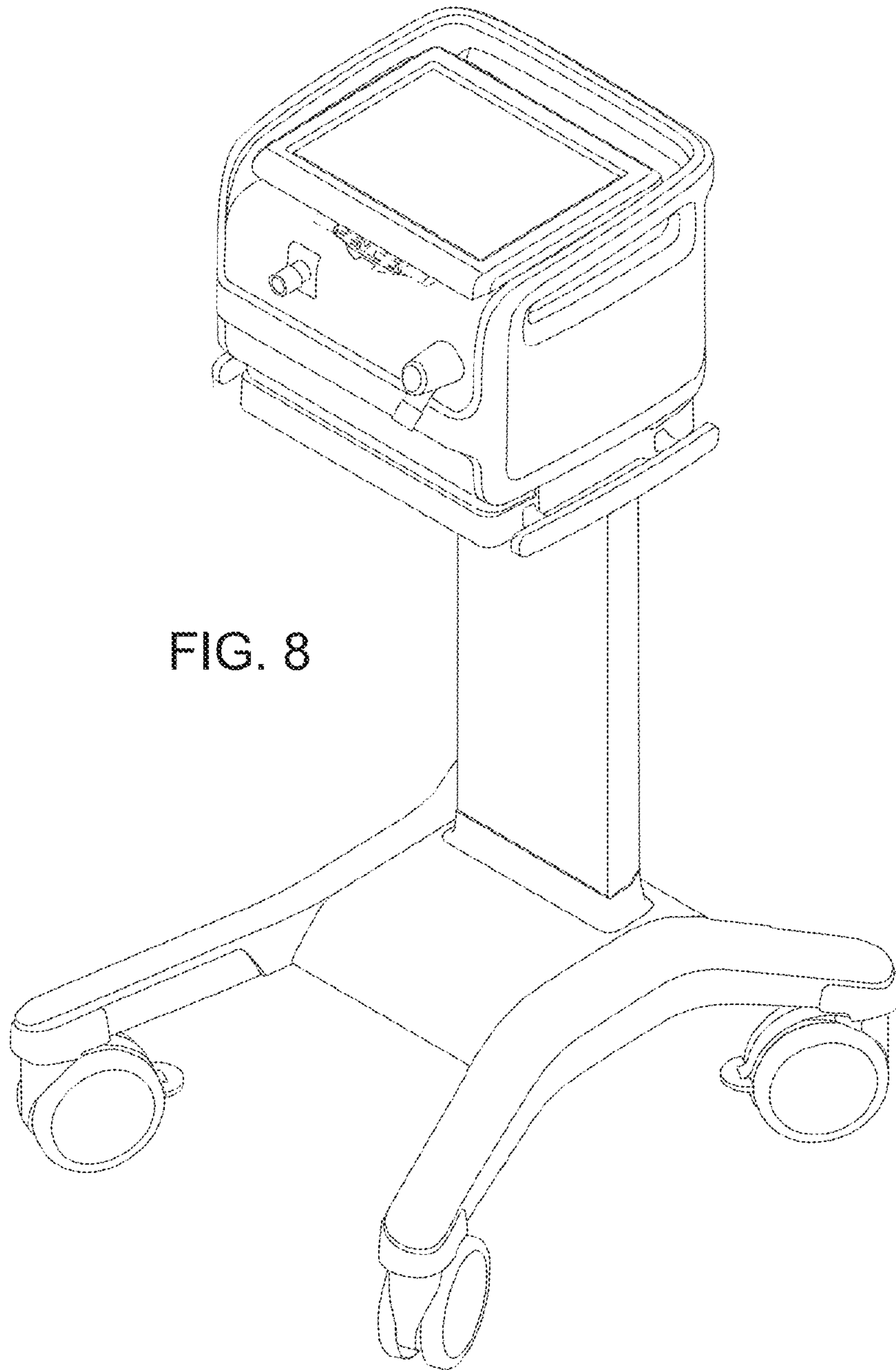


FIG. 8

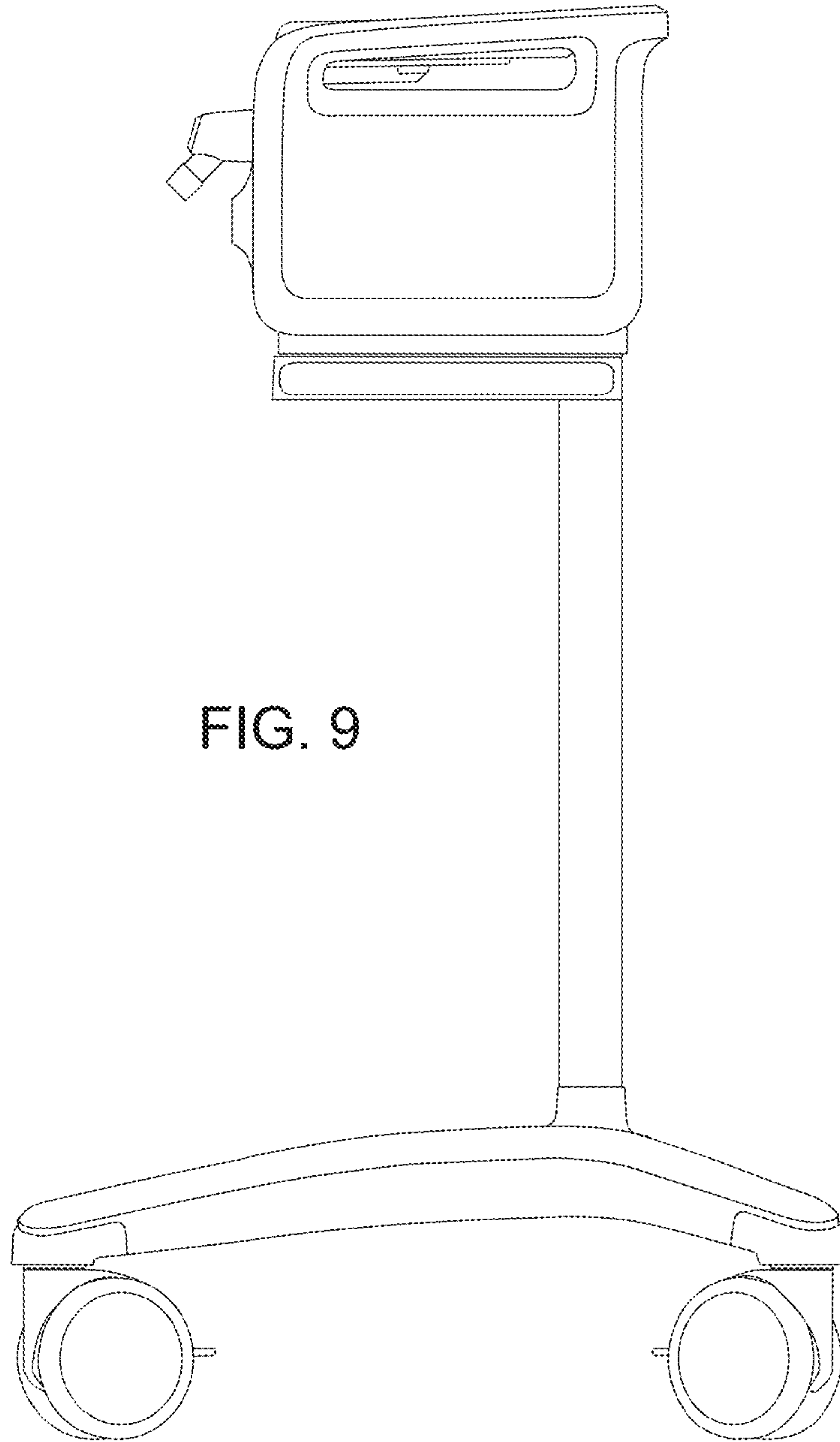


FIG. 9

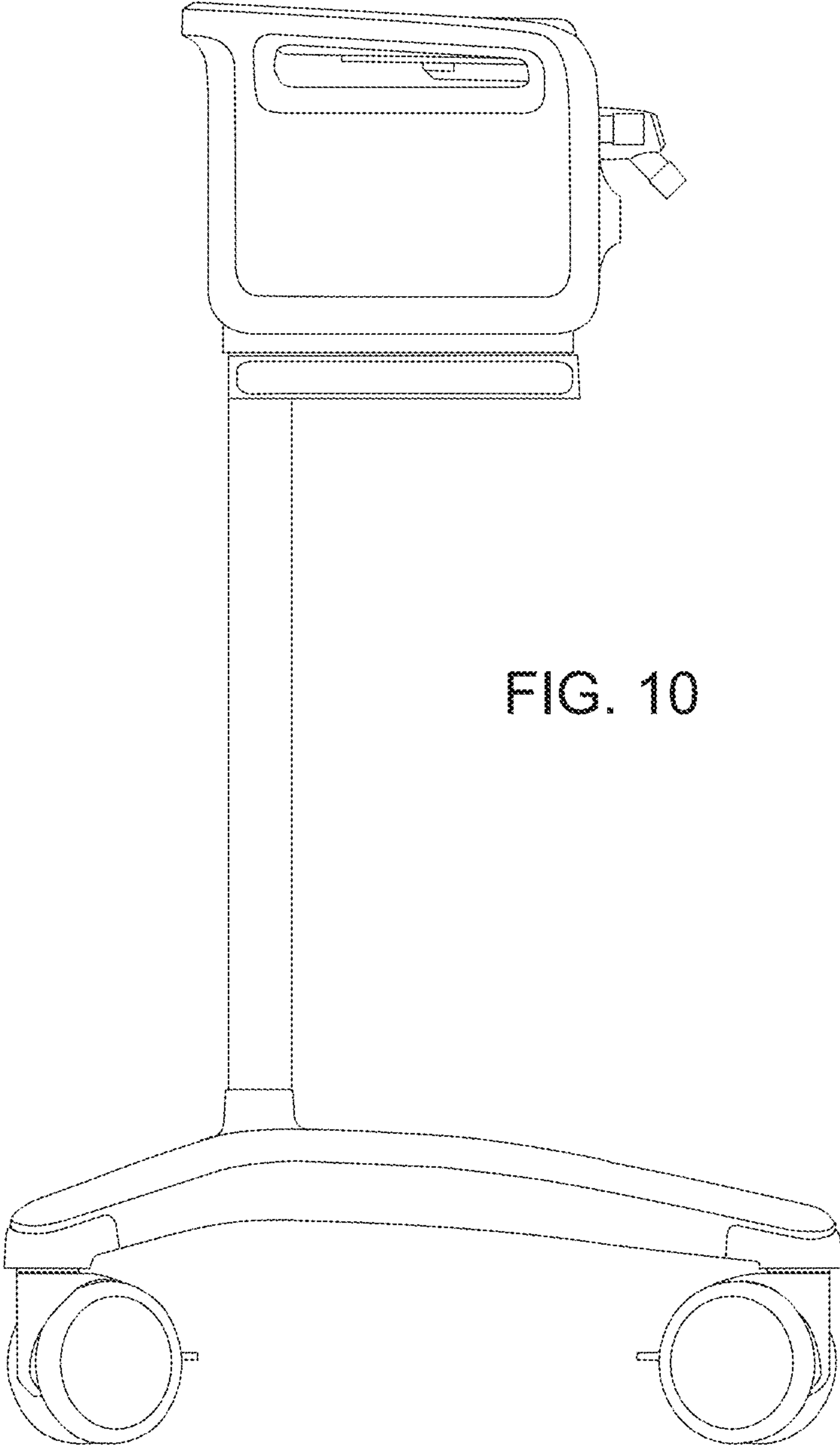


FIG. 10

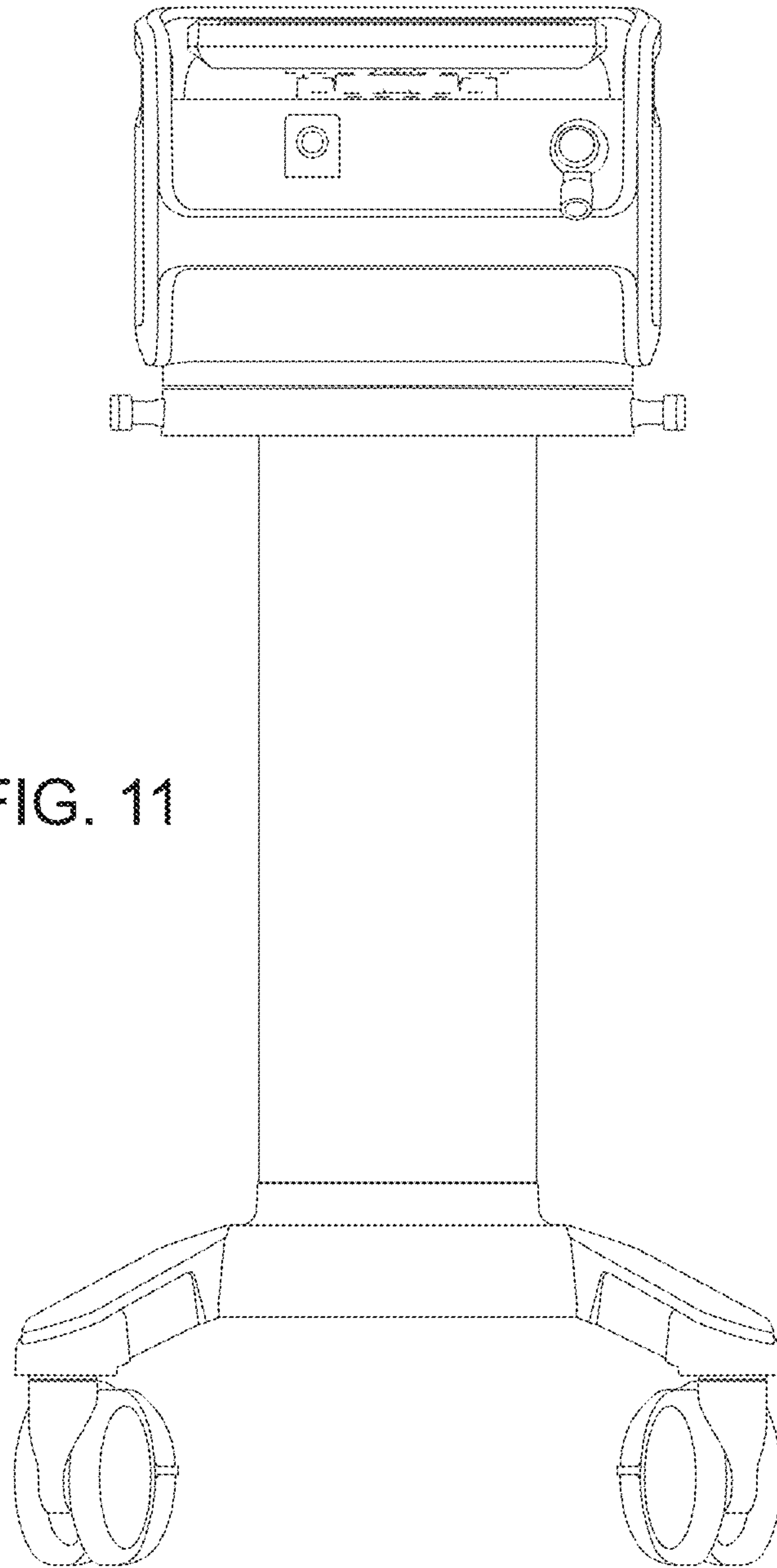


FIG. 11

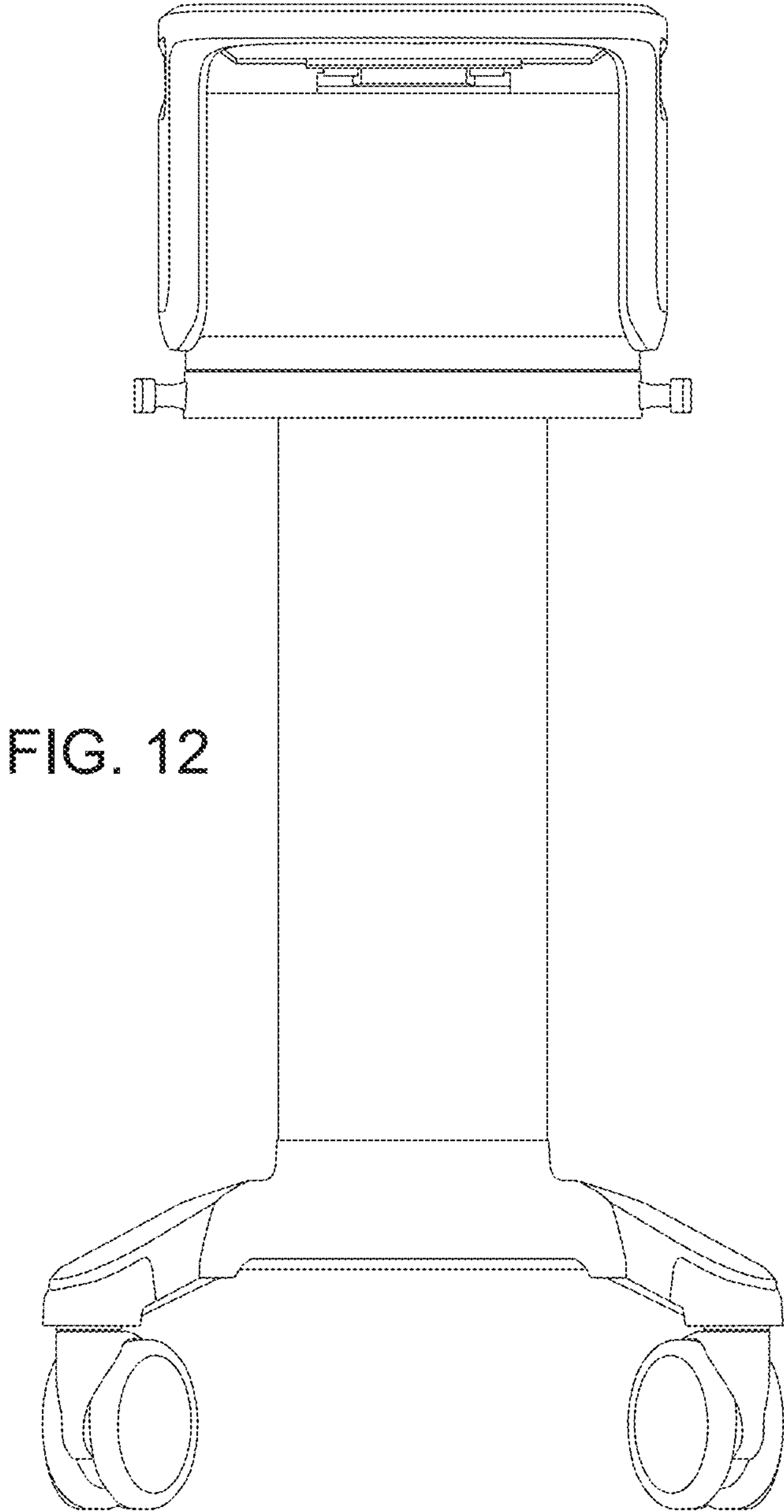


FIG. 12

FIG. 13

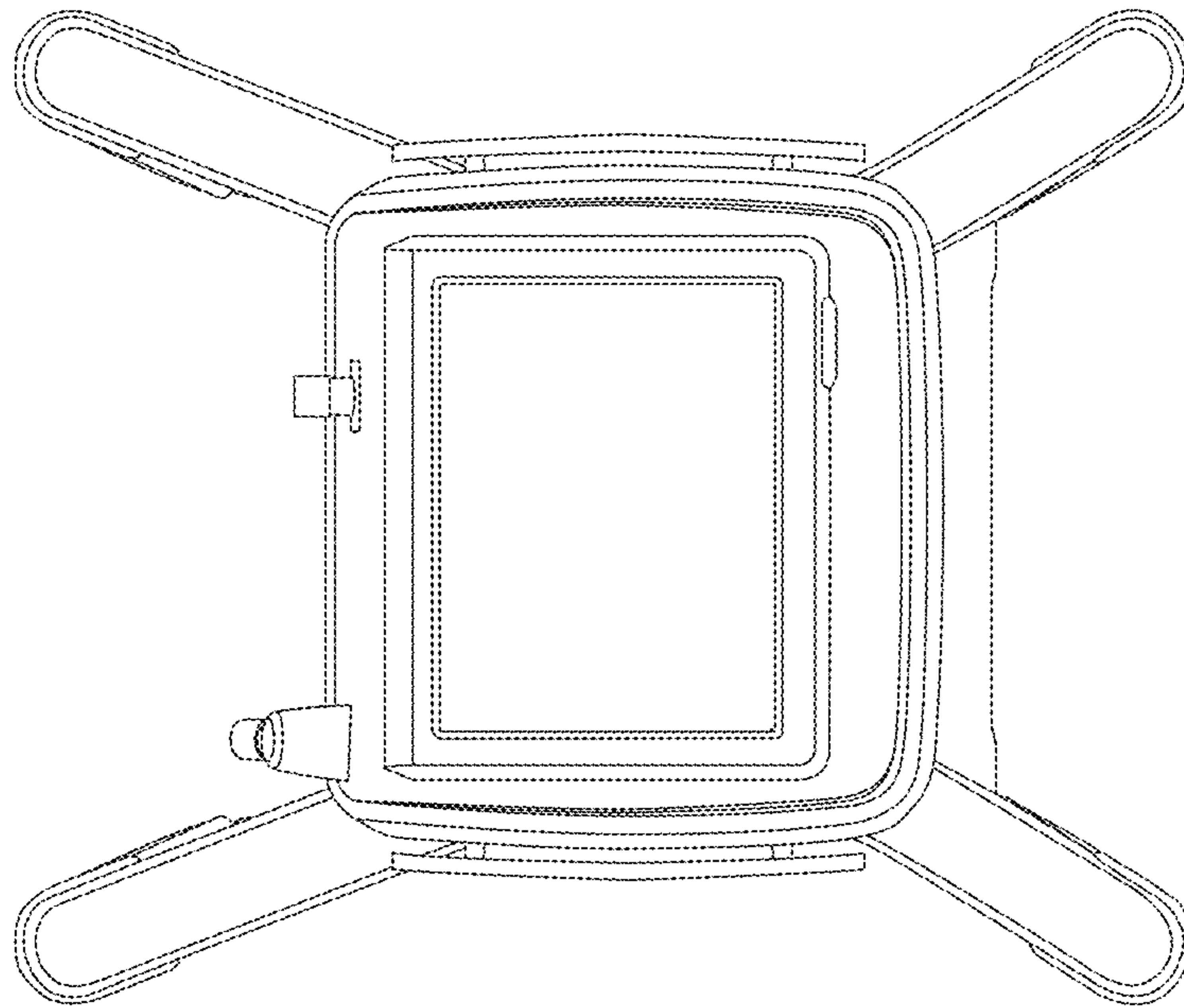
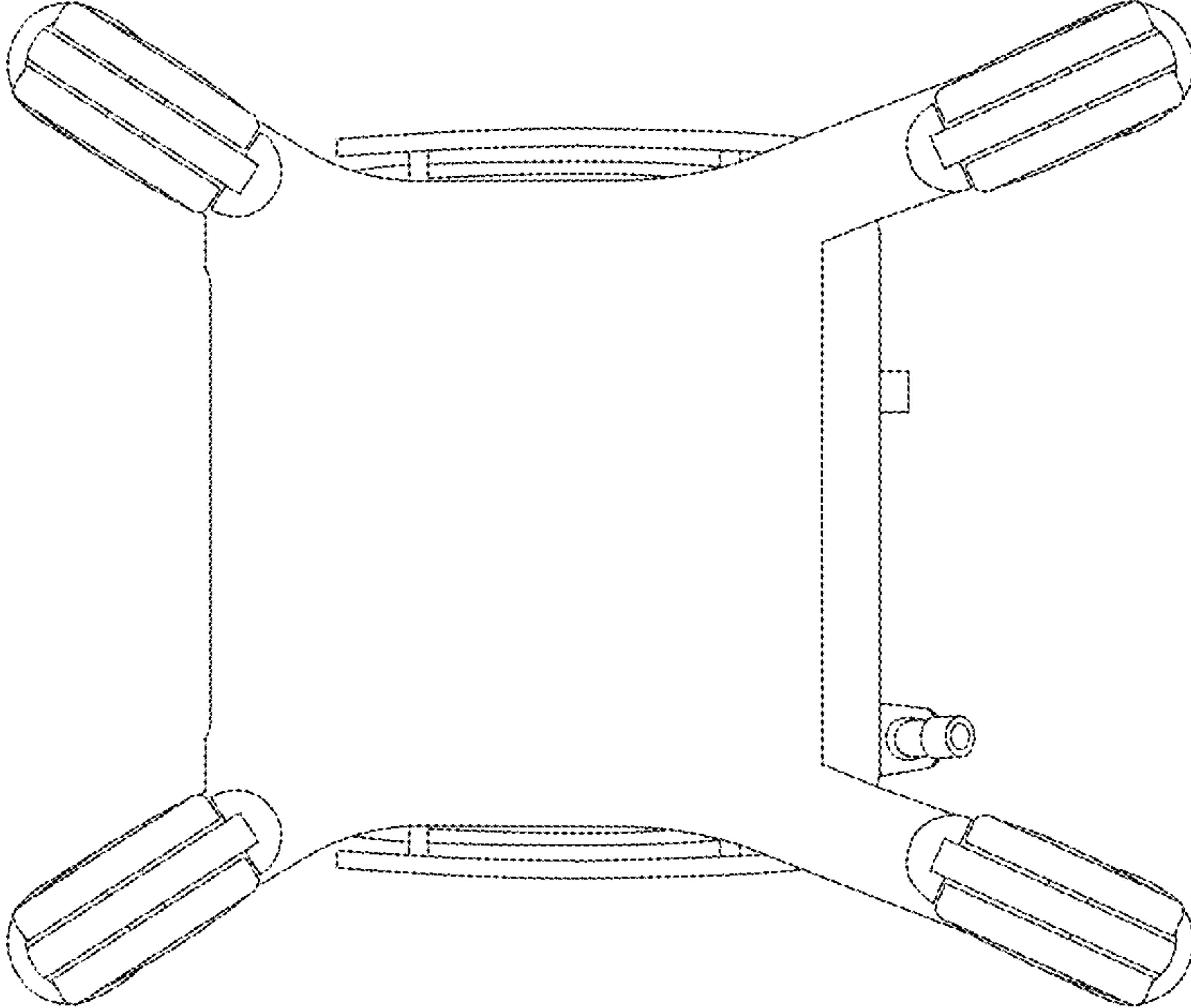


FIG. 14



UNITED STATES PATENT AND TRADEMARK OFFICE
CERTIFICATE OF CORRECTION

PATENT NO. : D764,669 S
APPLICATION NO. : 29/519356
DATED : August 23, 2016
INVENTOR(S) : Martin Birath et al.

Page 1 of 16

It is certified that error appears in the above-identified patent and that said Letters Patent is hereby corrected as shown below:

Delete the title page and substitute therefore with the attached title page consisting of the corrected illustrative figure(s).

In the Drawings:

Please replace FIGS. 1-14 with FIGS. 1-14 as shown on the attached pages.

In the Specification:

After the last paragraph, please add the following new paragraph:

High-quality copies of the drawings of Figures 1-14 are available in the U.S. Patent and Trademark Office's electronic record of this patent.

Signed and Sealed this
Eighth Day of November, 2016



Michelle K. Lee
Director of the United States Patent and Trademark Office

(12) **United States Design Patent**
Birath et al.

(10) **Patent No.:** **US D764,669 S**

(45) **Date of Patent:** **** Aug. 23, 2016**

(54) **VENTILATOR**

(71) Applicants: **Martin Birath**, Lidingsö (SE); **Karin Blomquist**, Sollesta (SE); **Johan Reuterholt**, Bälsta (SE)

(72) Inventors: **Martin Birath**, Lidingsö (SE); **Karin Blomquist**, Sollesta (SE); **Johan Reuterholt**, Bälsta (SE)

(73) Assignee: **Maquet Critical Care AB**, Solna (SE)

(**) Term: **14 Years**

(21) Appl. No.: **29/519,356**

(22) Filed: **Mar. 4, 2015**

(30) **Foreign Application Priority Data**

Sep. 12, 2014 (EM) 2537068

(51) **LOC (10) CL** **24-00**

(52) **U.S. CL**
 USPC **D24/164**

(58) **Field of Classification Search**
 USPC D24/185, 158, 164, 186, 234, 128;
 280/47.34, 47.35; 600/407; 108/24, 6
 CPC A61M 16/0051; A61B 19/0241; A61B
 5/0002; A61B 17/00; A45C 9/00
 See application file for complete search history.

(56) **References Cited**

U.S. PATENT DOCUMENTS

D486,915 S * 2/2004 Warschewske D24/185
 D549,921 S 8/2007 Reckelhoff
 D578,204 S 10/2008 Lithgow et al.
 7,496,837 B2 * 2/2009 Pond A61B 17/00
 280/47.35
 D588,272 S * 3/2009 Meiser D24/185
 D606,202 S * 12/2009 Hanryu D24/185
 D613,866 S * 4/2010 Tanaka D24/185

D626,235 S * 10/2010 Smith D24/158
 D632,796 S * 2/2011 Ross D24/185
 D632,797 S * 2/2011 Ross D24/185
 D643,535 S * 8/2011 Ross D24/164

(Continued)

Primary Examiner Holly Baynham

Assistant Examiner Rhea Shields

(74) *Attorney, Agent, or Firm* --- Schiff Hardin LLP

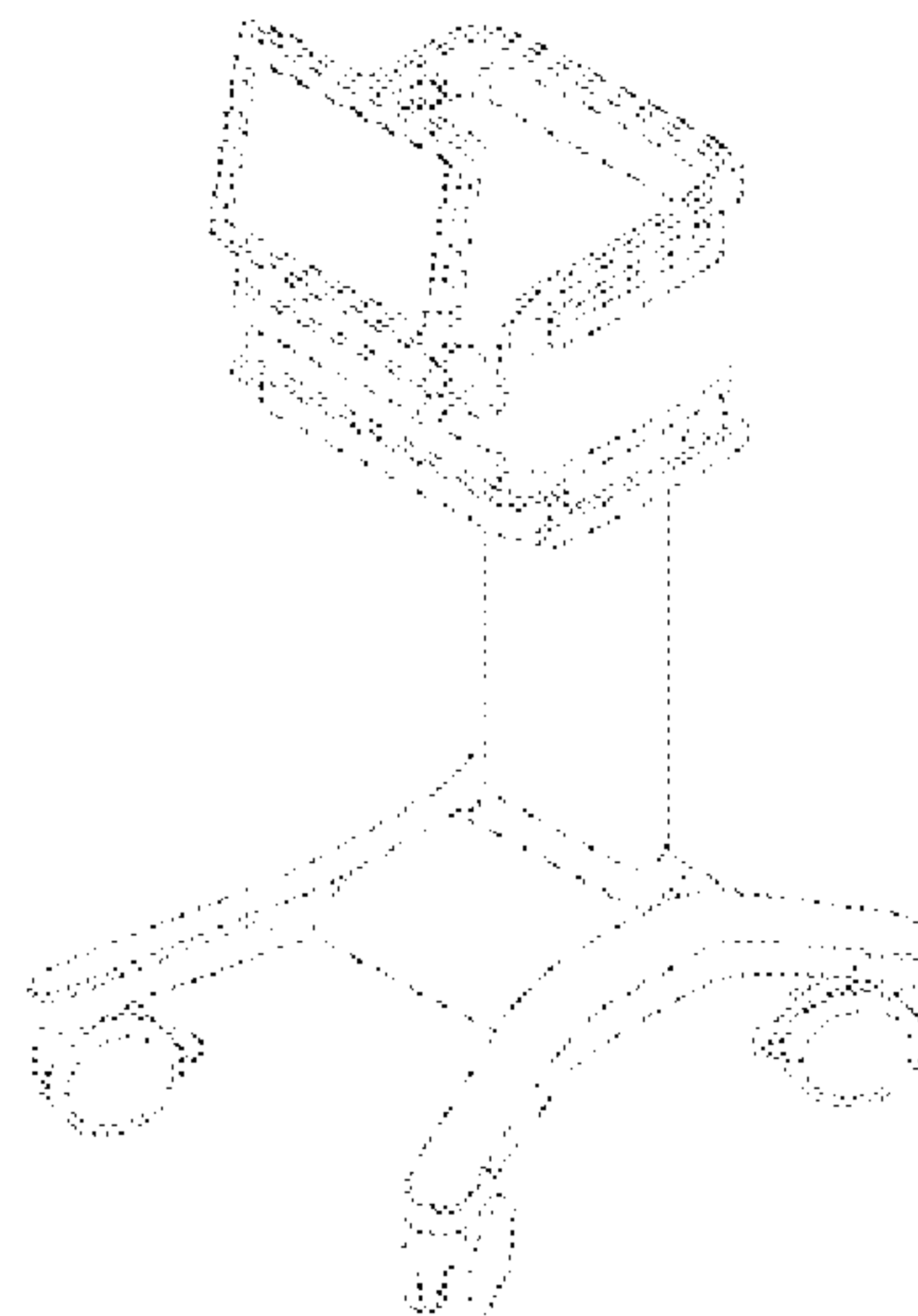
(57) **CLAIM**

The ornamental design for a ventilator, as shown and described.

DESCRIPTION

FIG. 1 is a perspective view from a direction between a front and a right side of a ventilator with a screen pulled out;
 FIG. 2 is a right side elevational view of the ventilator of FIG. 1;
 FIG. 3 is a left side elevational view of the ventilator of FIG. 1;
 FIG. 4 is a front elevational view of the ventilator of FIG. 1;
 FIG. 5 is a rear elevational view of the ventilator of FIG. 1;
 FIG. 6 is a top plan view of the ventilator of FIG. 1;
 FIG. 7 is a bottom plan view of the ventilator of FIG. 1;
 FIG. 8 is a perspective view from a direction between the front and the right side of the ventilator of FIG. 1 with the screen folded;
 FIG. 9 is a right side elevational view of the ventilator of FIG. 8;
 FIG. 10 is a left side elevational view of the ventilator of FIG. 8;
 FIG. 11 is a front elevational view of the ventilator of FIG. 8;
 FIG. 12 is a rear elevational view of the ventilator of FIG. 8;
 FIG. 13 is a top plan view of the ventilator of FIG. 8; and
 FIG. 14 is a bottom plan view of the ventilator of FIG. 8.
 In the drawings, the broken lines are for the purpose of illustrating environment only and form no part of the claimed design.

1 Claim, 14 Drawing Sheets



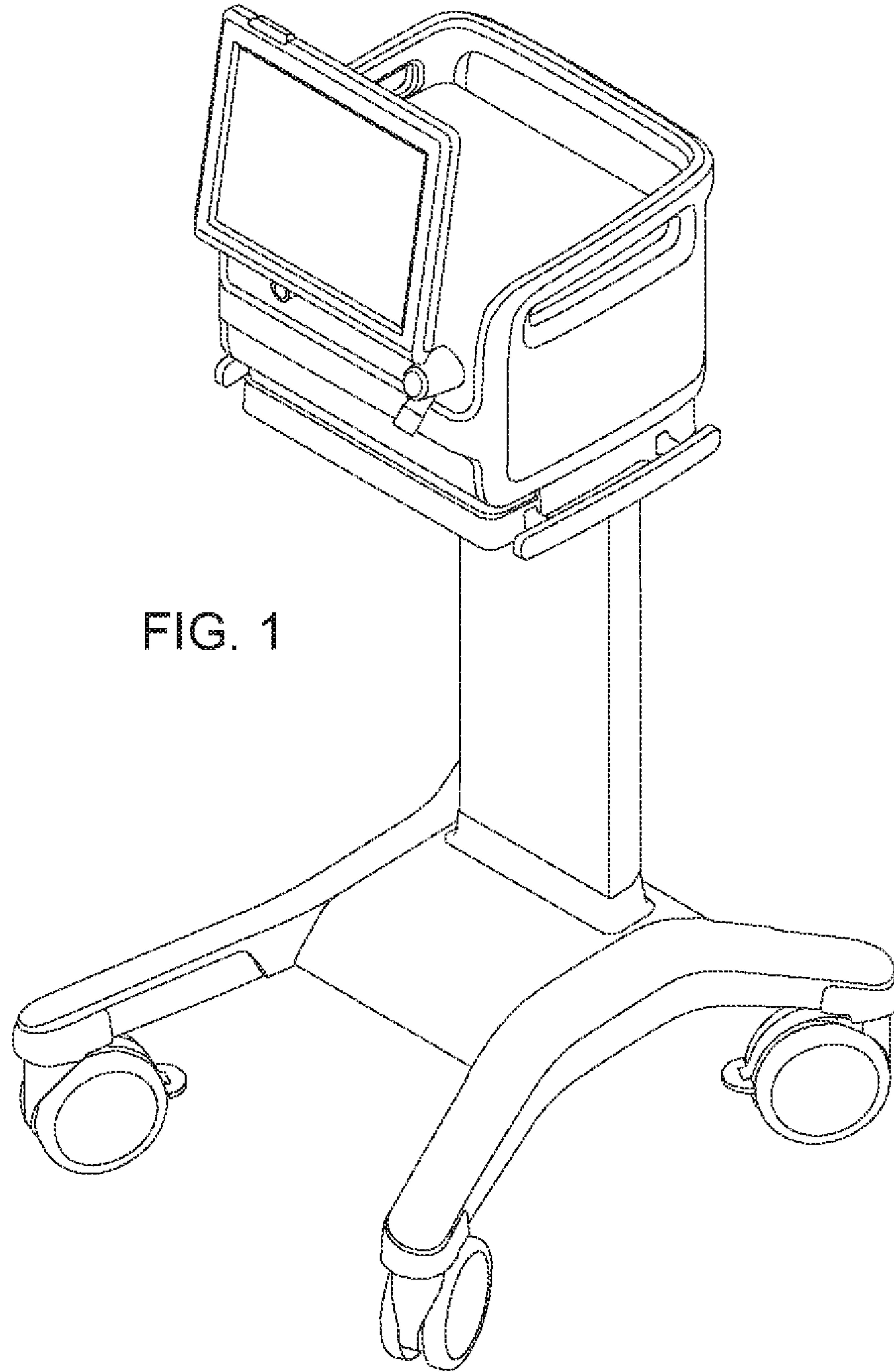


FIG. 1

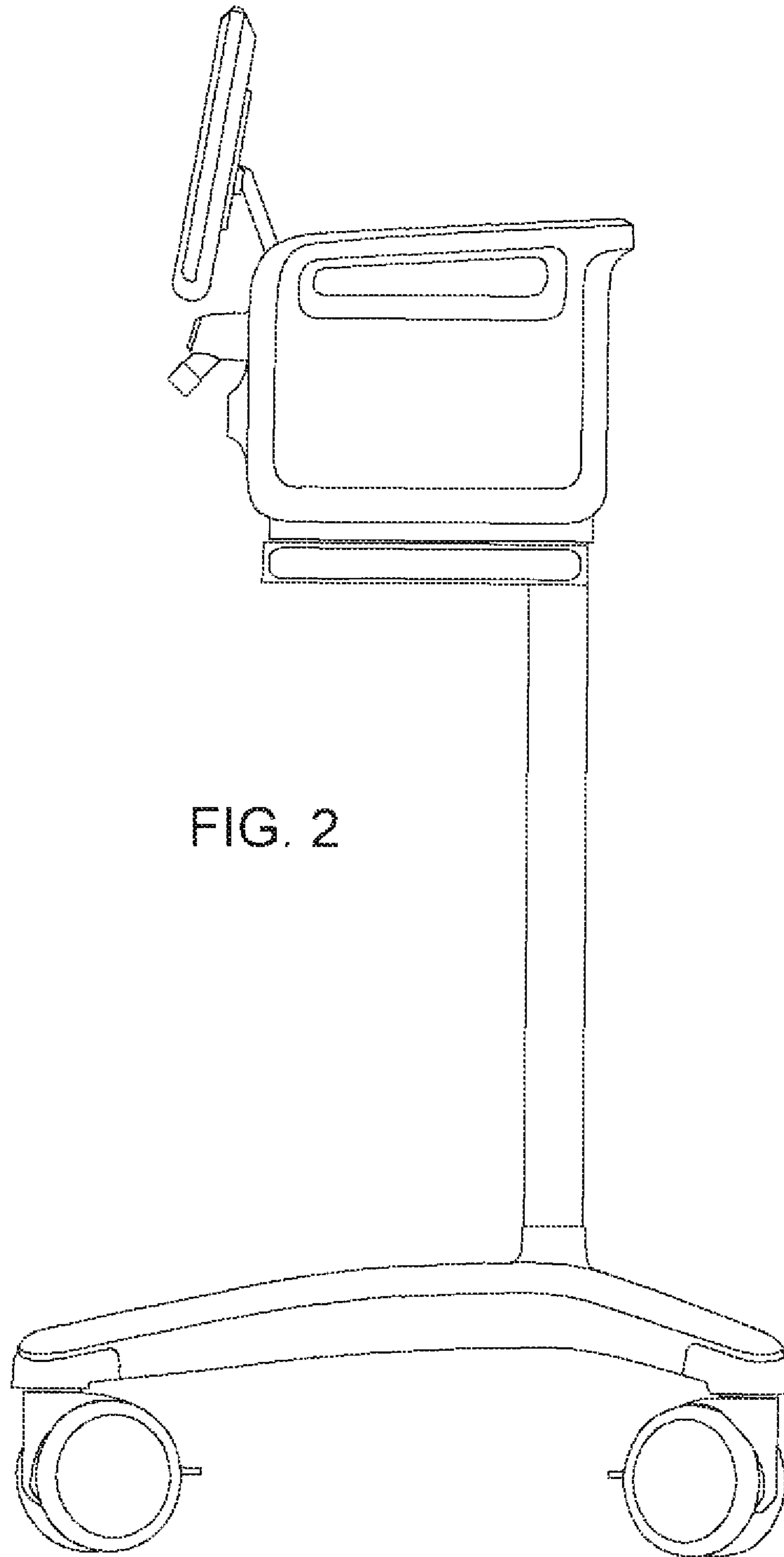


FIG. 2

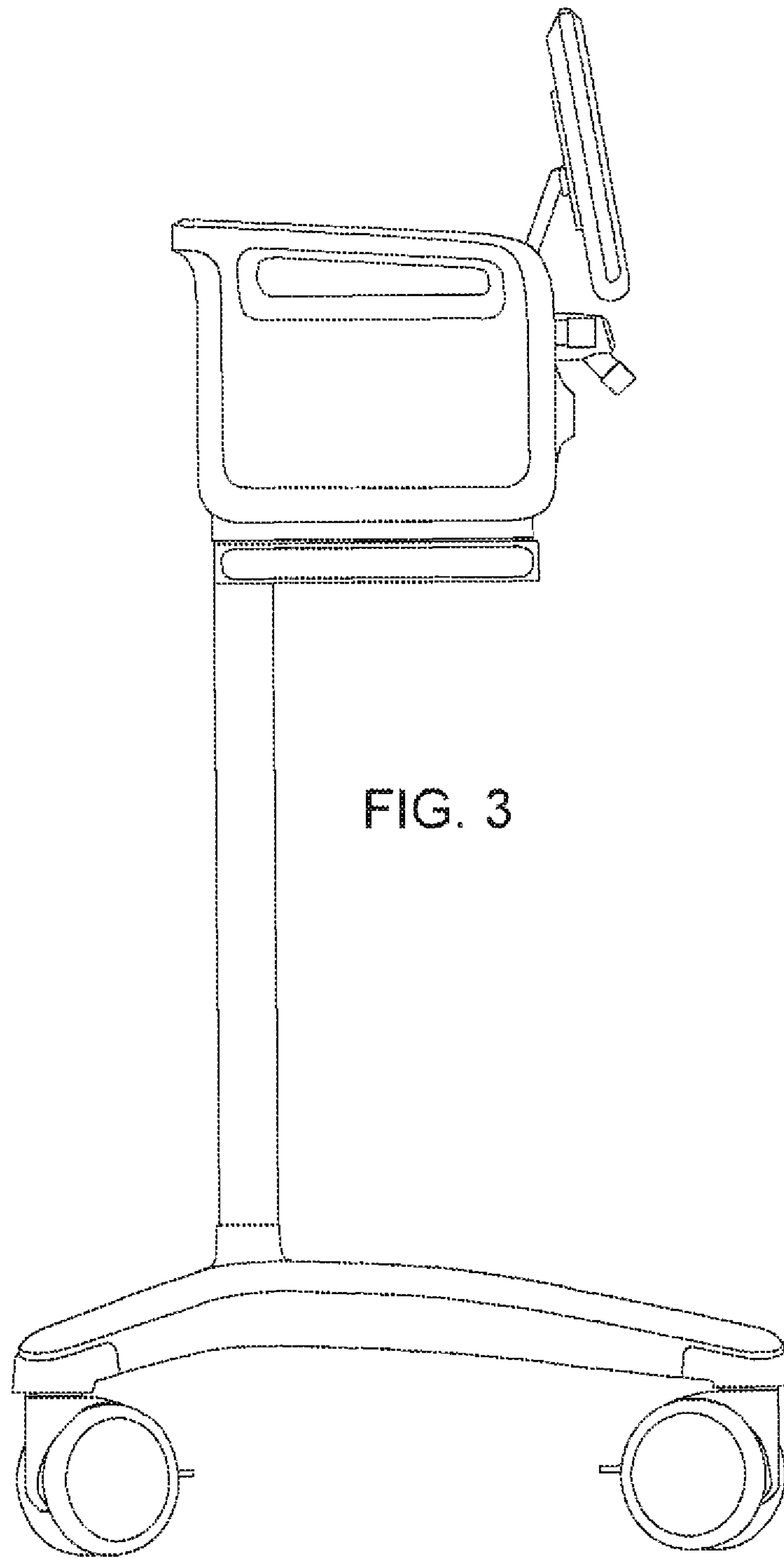


FIG. 3

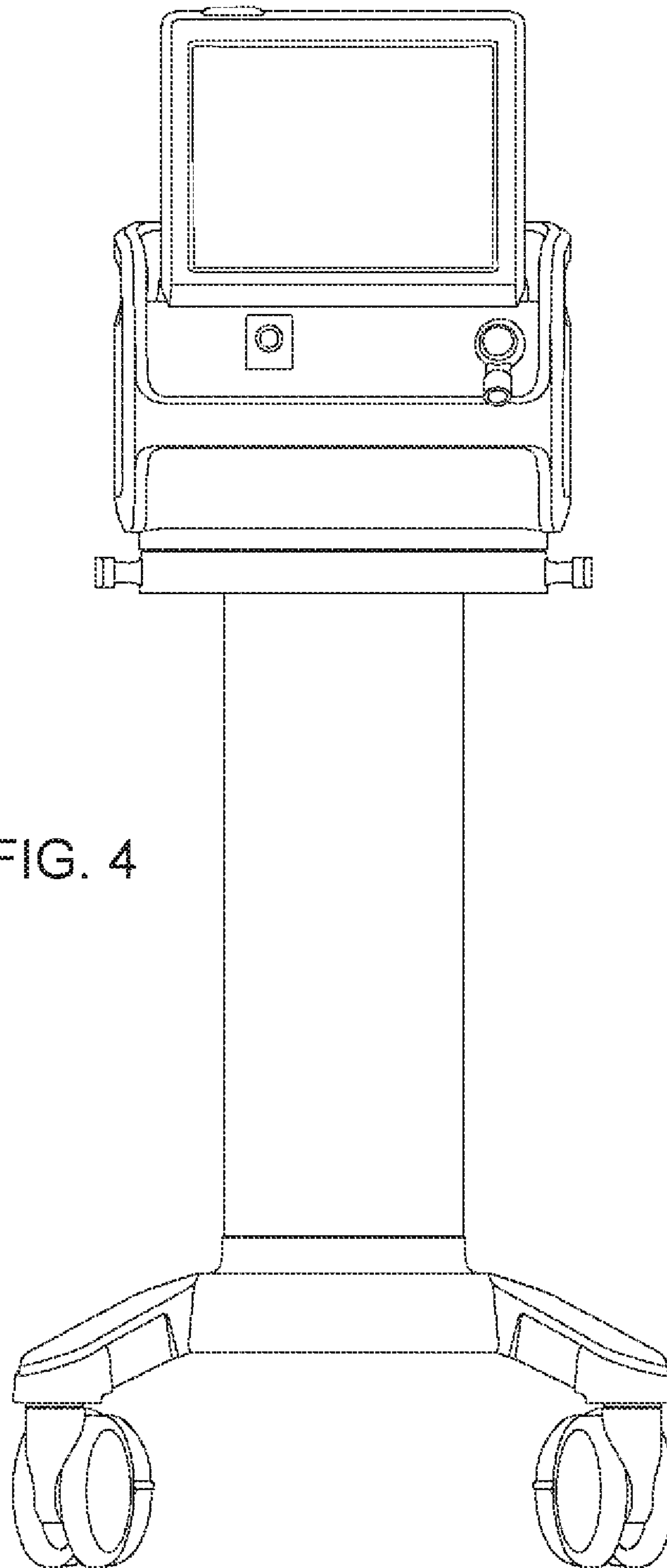


FIG. 4

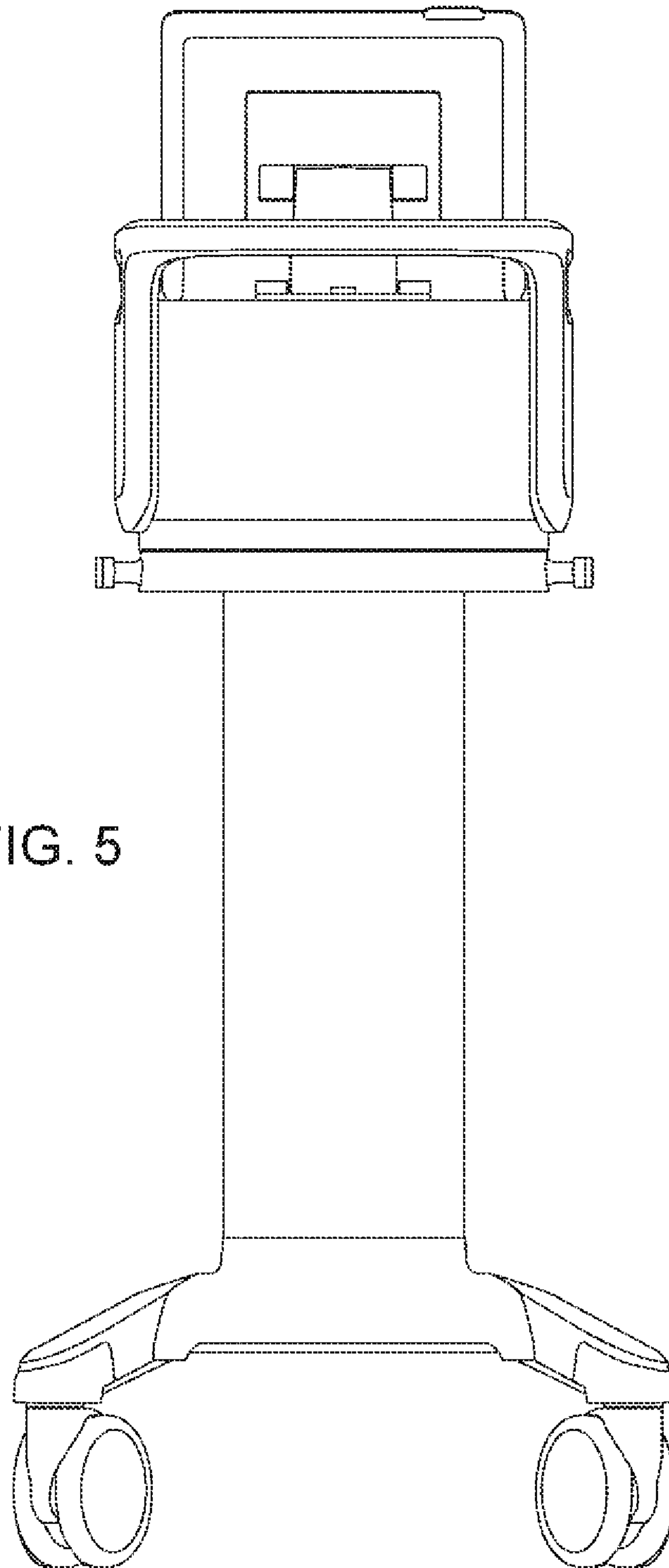


FIG. 5

FIG. 6

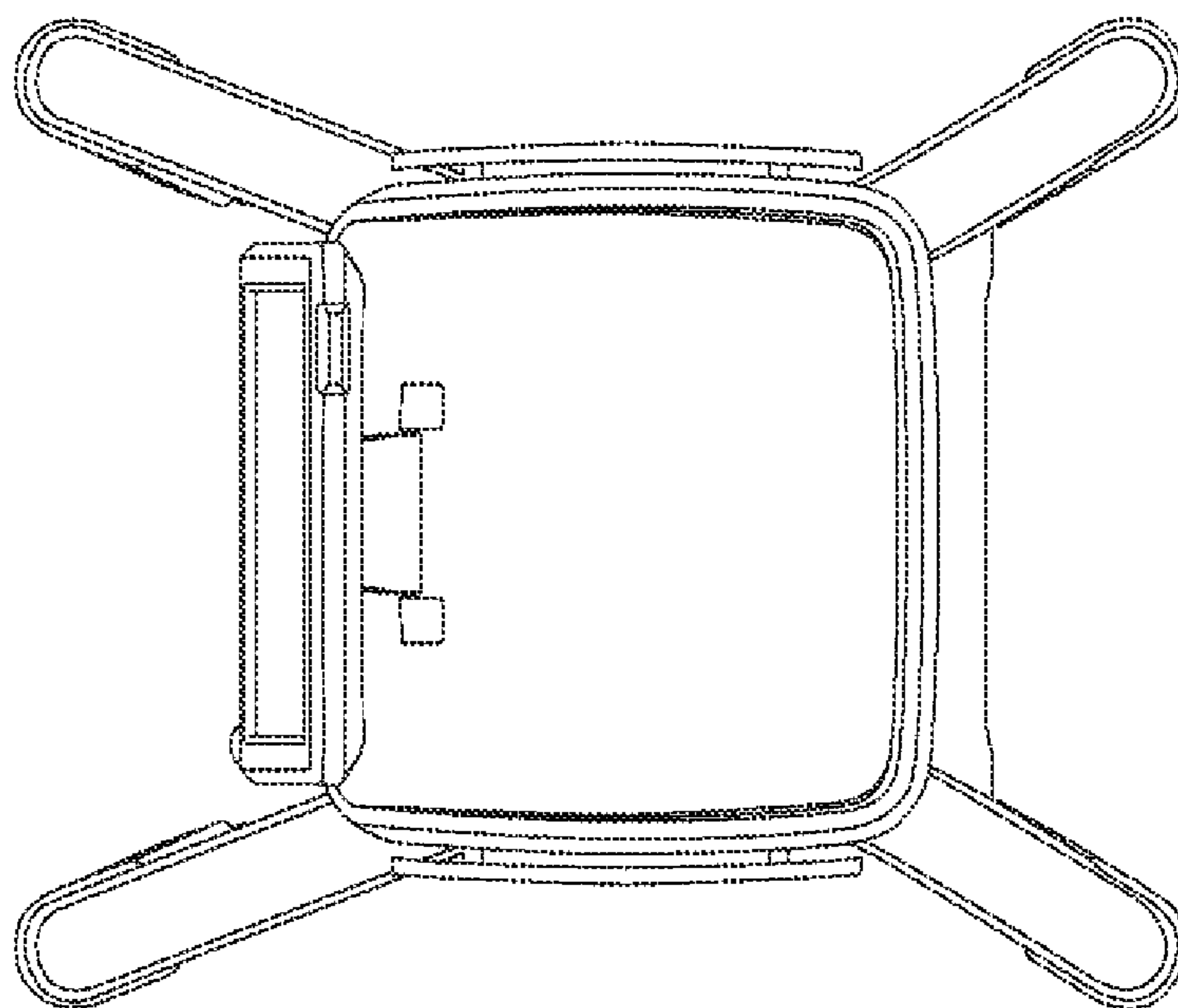
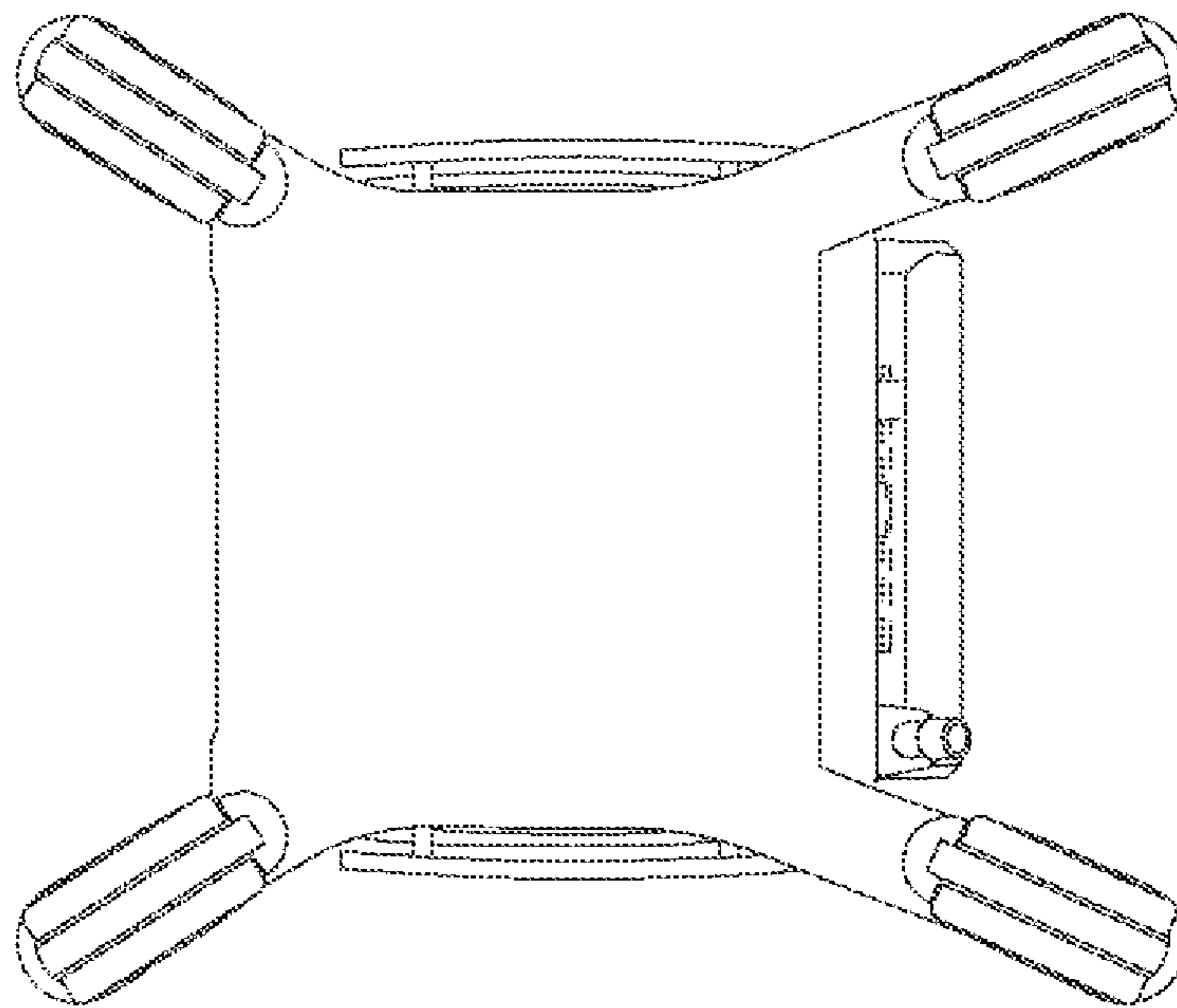


FIG. 7



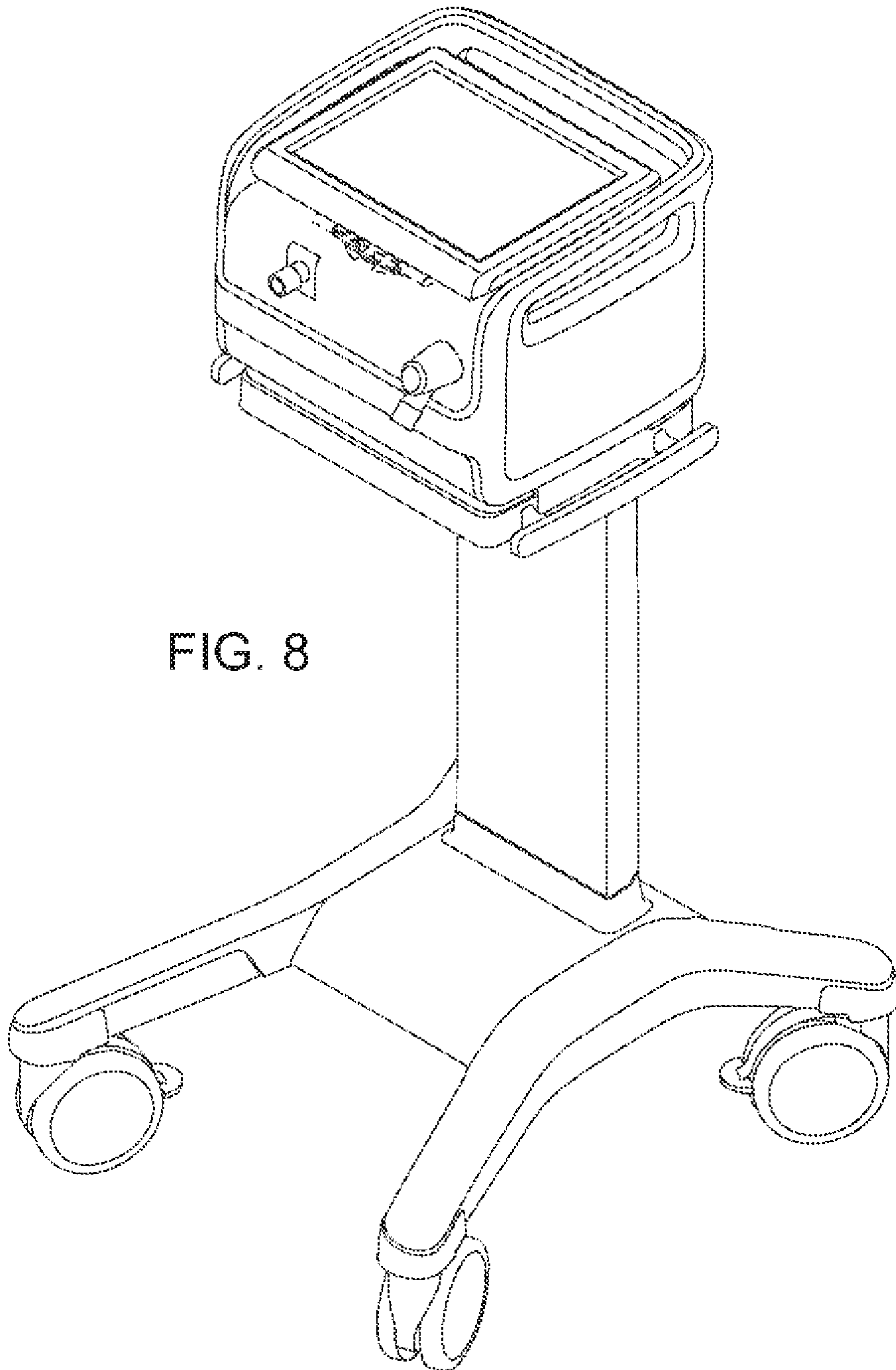


FIG. 8

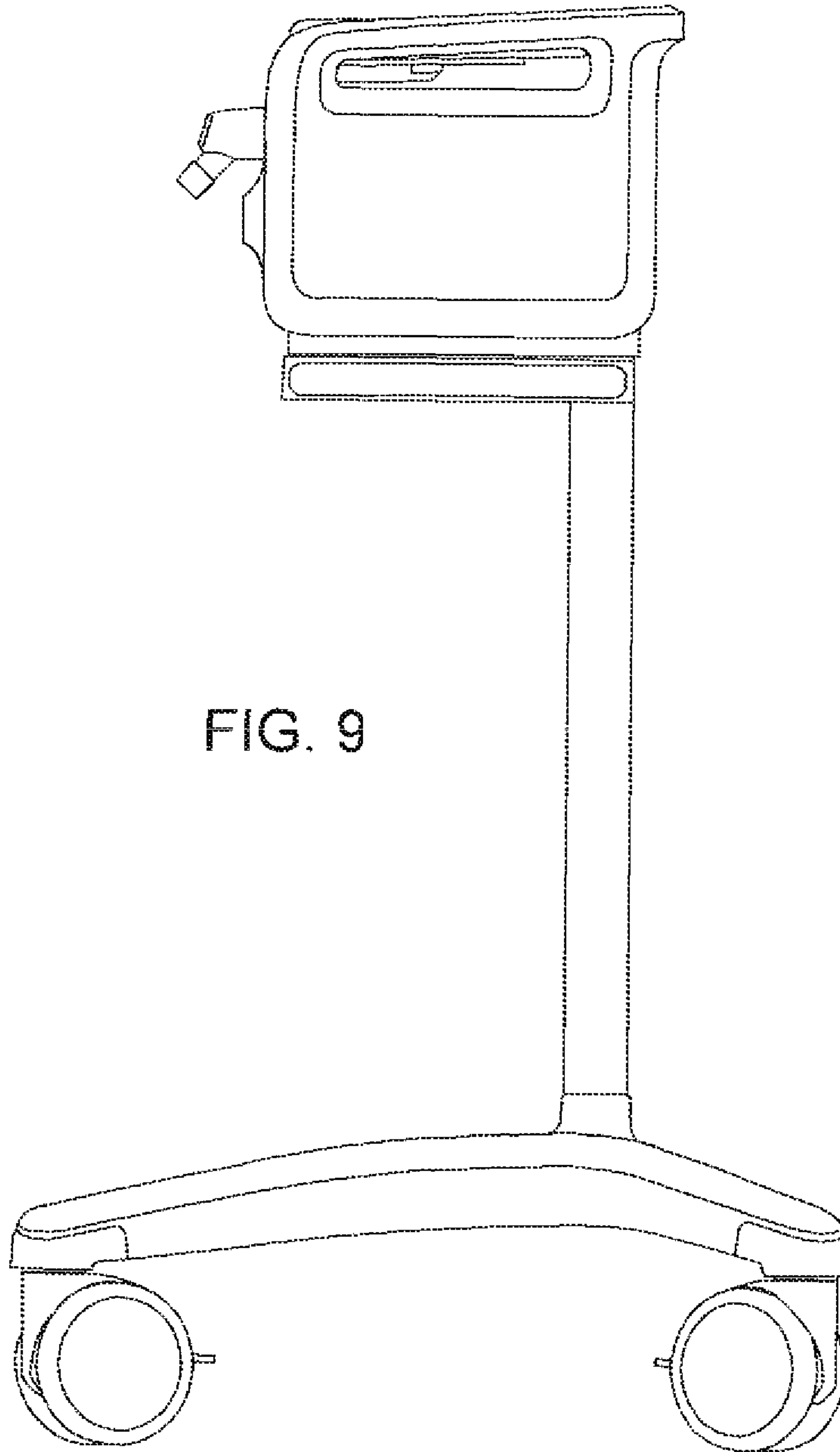


FIG. 9

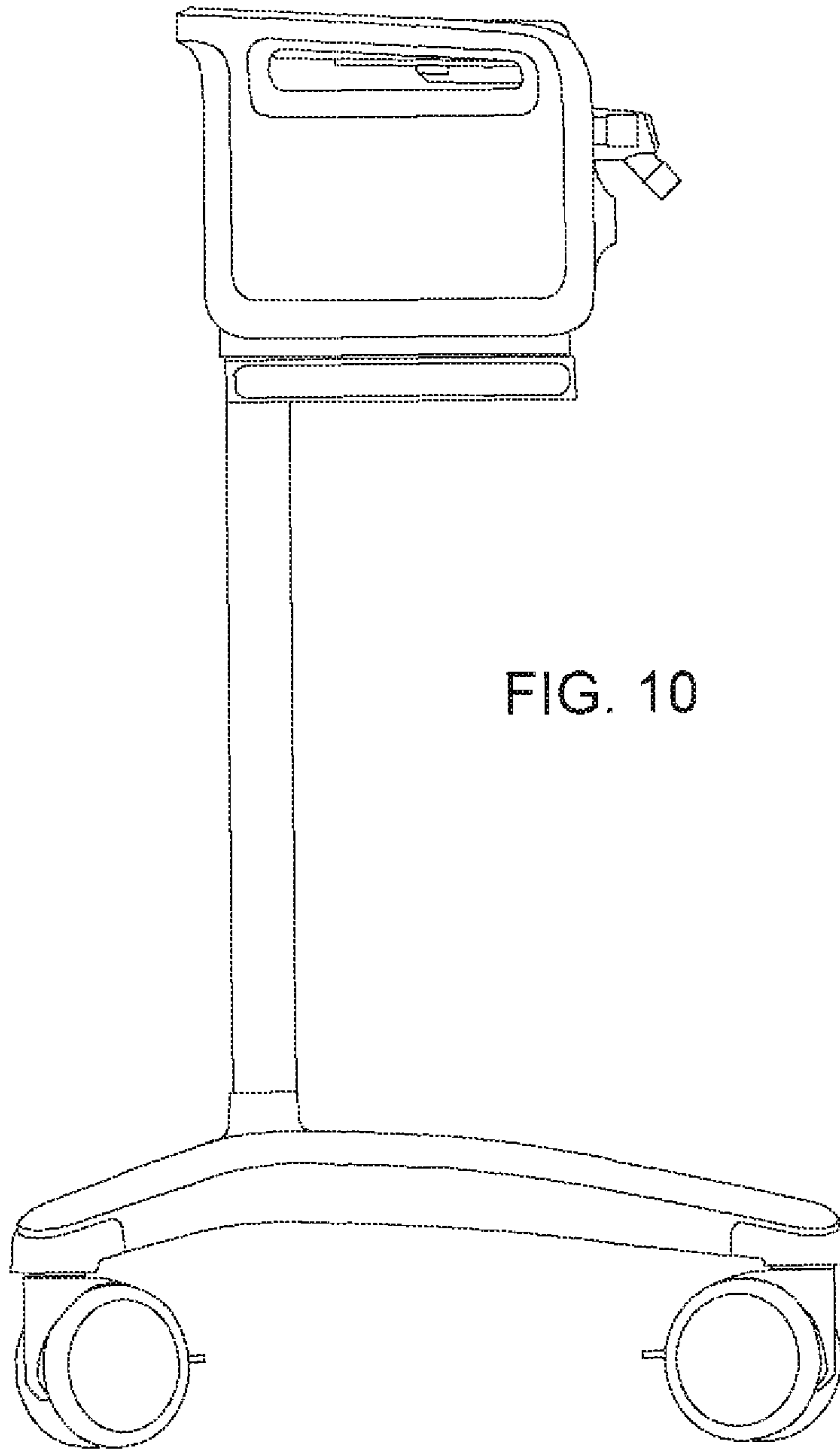
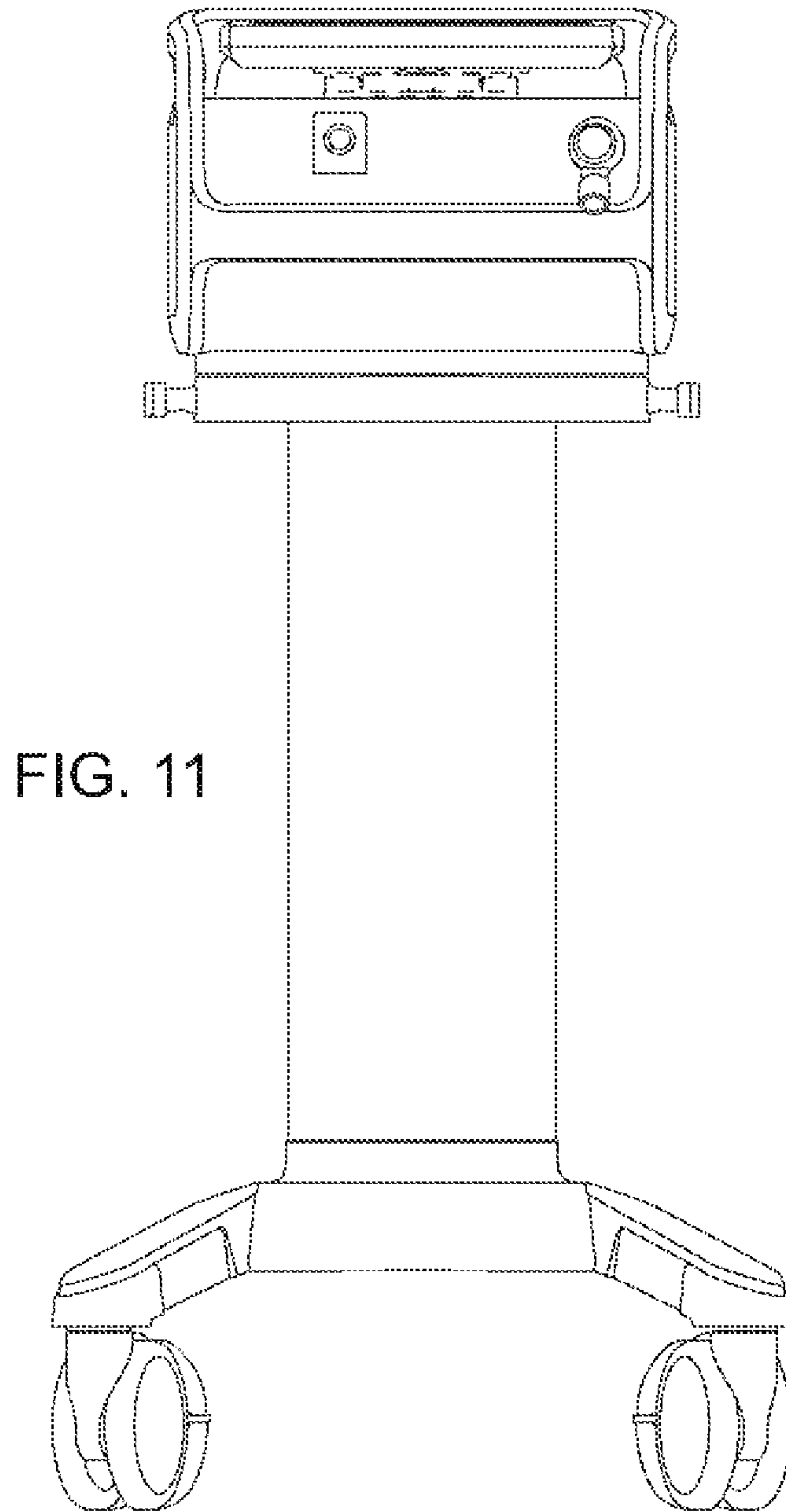


FIG. 10



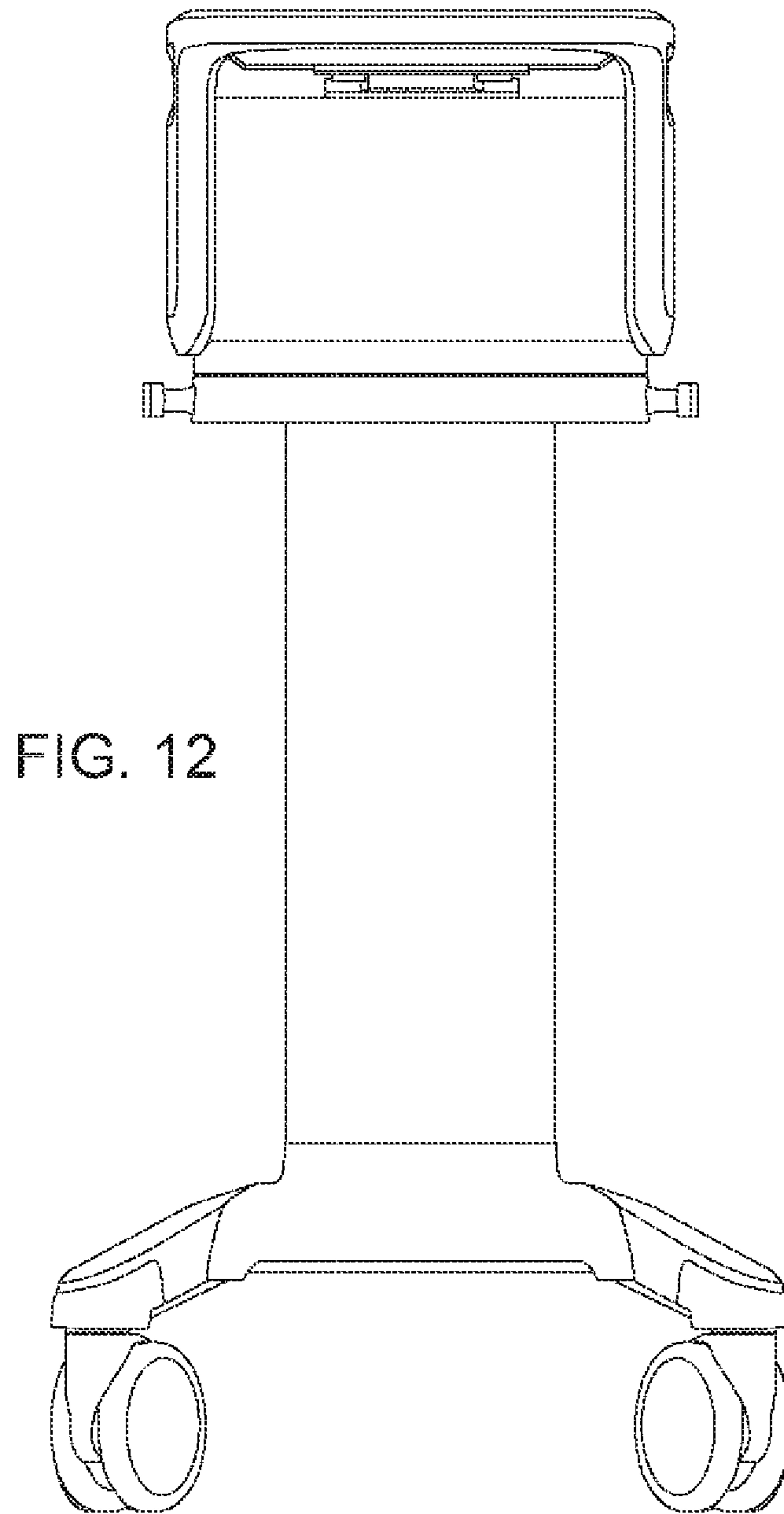


FIG. 13

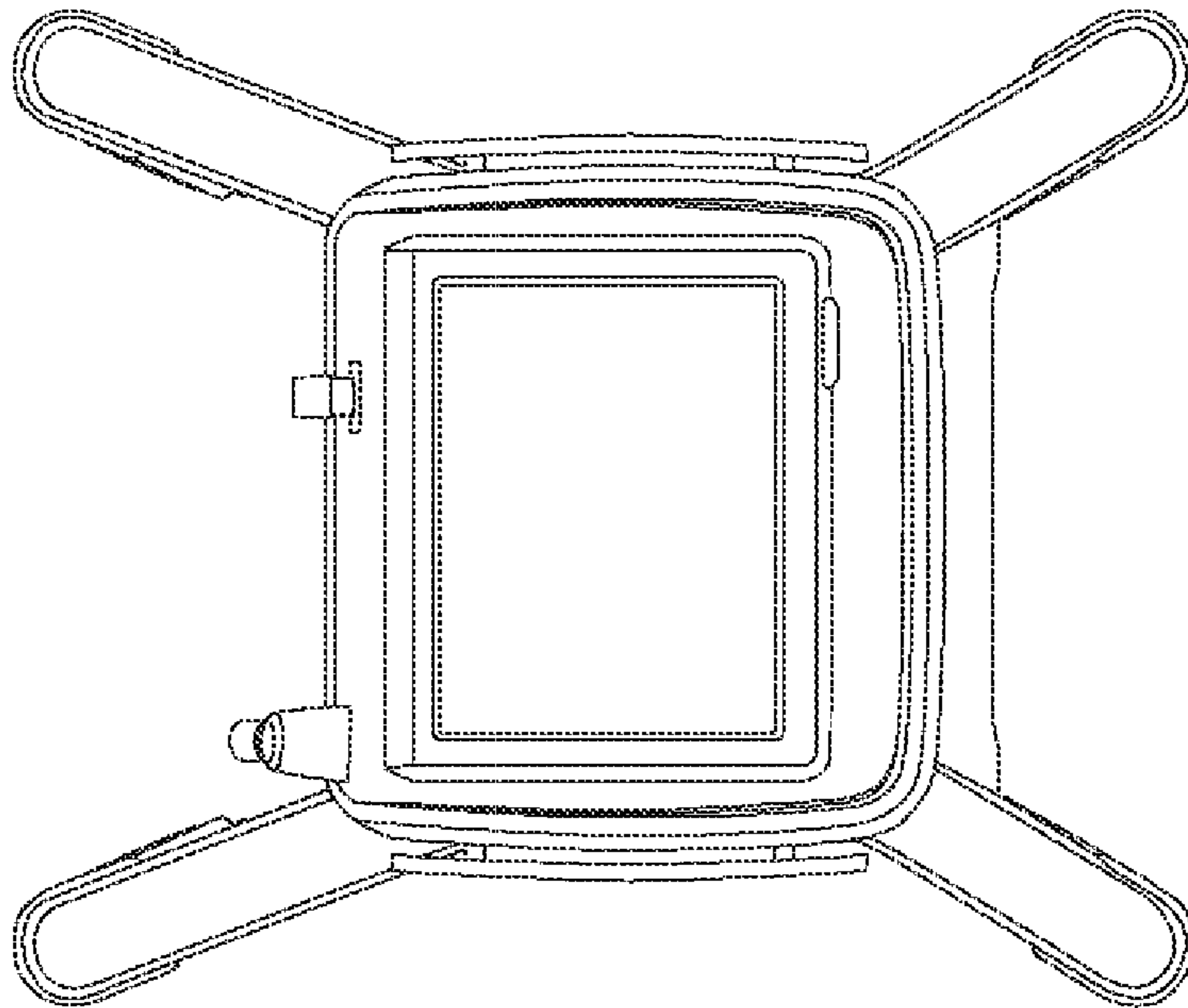
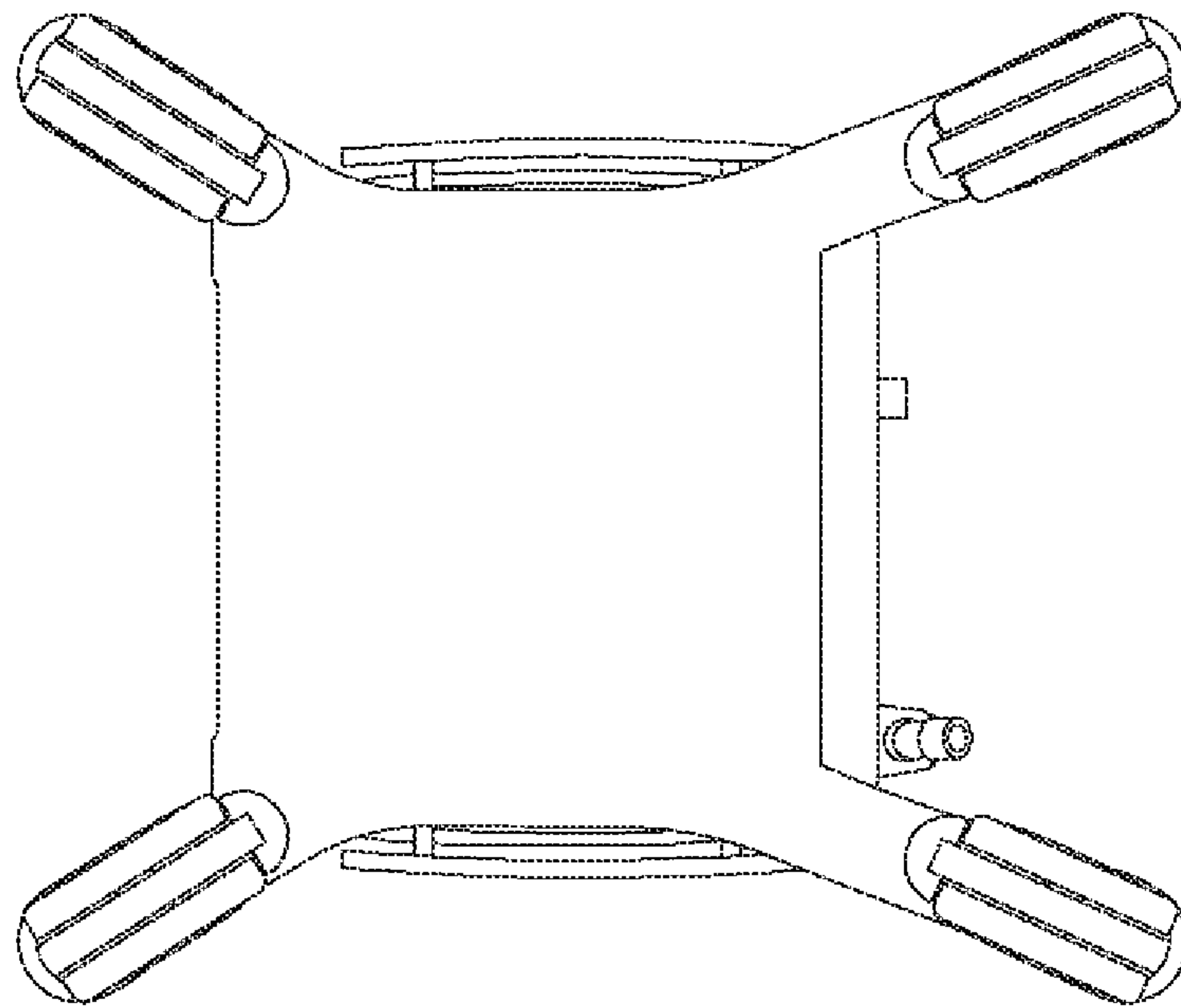


FIG. 14



UNITED STATES PATENT AND TRADEMARK OFFICE
CERTIFICATE OF CORRECTION

PATENT NO. : D764,669 S
APPLICATION NO. : 29/519356
DATED : August 23, 2016
INVENTOR(S) : Martin Birath et al.

Page 1 of 16

It is certified that error appears in the above-identified patent and that said Letters Patent is hereby corrected as shown below:

On the Title Page

Delete the title page and substitute therefore with the attached title page consisting of the corrected illustrative figure(s).

In the Drawings

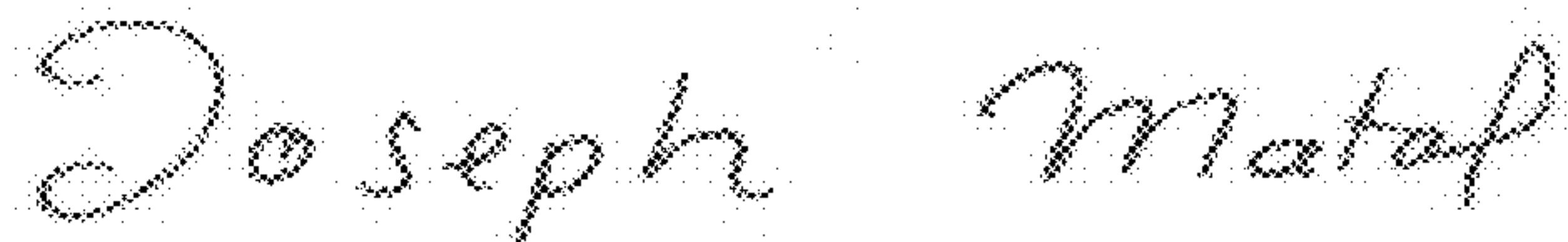
Please replace FIGS. 1-14 with FIGS. 1-14 as shown on the attached pages.

In the Specification

After the last paragraph, please add the following new paragraph:
High-quality copies of the drawings of Figures 1-14 are available in the U.S. Patent and Trademark Office's electronic record of this patent.

This certificate supersedes the Certificate of Correction issued November 8, 2016.

Signed and Sealed this
Twenty-fourth Day of October, 2017



Joseph Matal

*Performing the Functions and Duties of the
Under Secretary of Commerce for Intellectual Property and
Director of the United States Patent and Trademark Office*

(12) **United States Design Patent** (10) **Patent No.:** **US D764,669 S**
Birath et al. (45) **Date of Patent:** **** Aug. 23, 2016**

(54) **VENTILATOR**

(71) Applicants: **Martin Birath, Lidingö (SE); Karin Blomquist, Sollentuna (SE); Johan Reuterholt, Bålsta (SE)**

(72) Inventors: **Martin Birath, Lidingö (SE); Karin Blomquist, Sollentuna (SE); Johan Reuterholt, Bålsta (SE)**

(73) Assignee: **Maquet Critical Care AB, Solna (SE)**

(**) Term: **14 Years**

(21) Appl. No.: **29/519,356**

(22) Filed: **Mar. 4, 2015**

(30) **Foreign Application Priority Data**

Sep. 12, 2014 (EM) 2537068

(51) **LOC (10) CL.** **24-00**

(52) **U.S. CL.**
 USPC **D24/164**

(58) **Field of Classification Search**
 USPC D24/185, 158, 164, 186, 234, 128;
 280/47.34, 47.35; 600/407; 108/24. 6
 CPC A61M 16/0051; A61B 19/0241; A61B
 5/0002; A61B 17/00; A45C 9/00
 See application file for complete search history.

D626,235 S * 10/2010 Smith D24/158
 D632,796 S * 2/2011 Ross D24/185
 D632,797 S * 2/2011 Ross D24/185
 D643,535 S * 8/2011 Ross D24/164

(Continued)

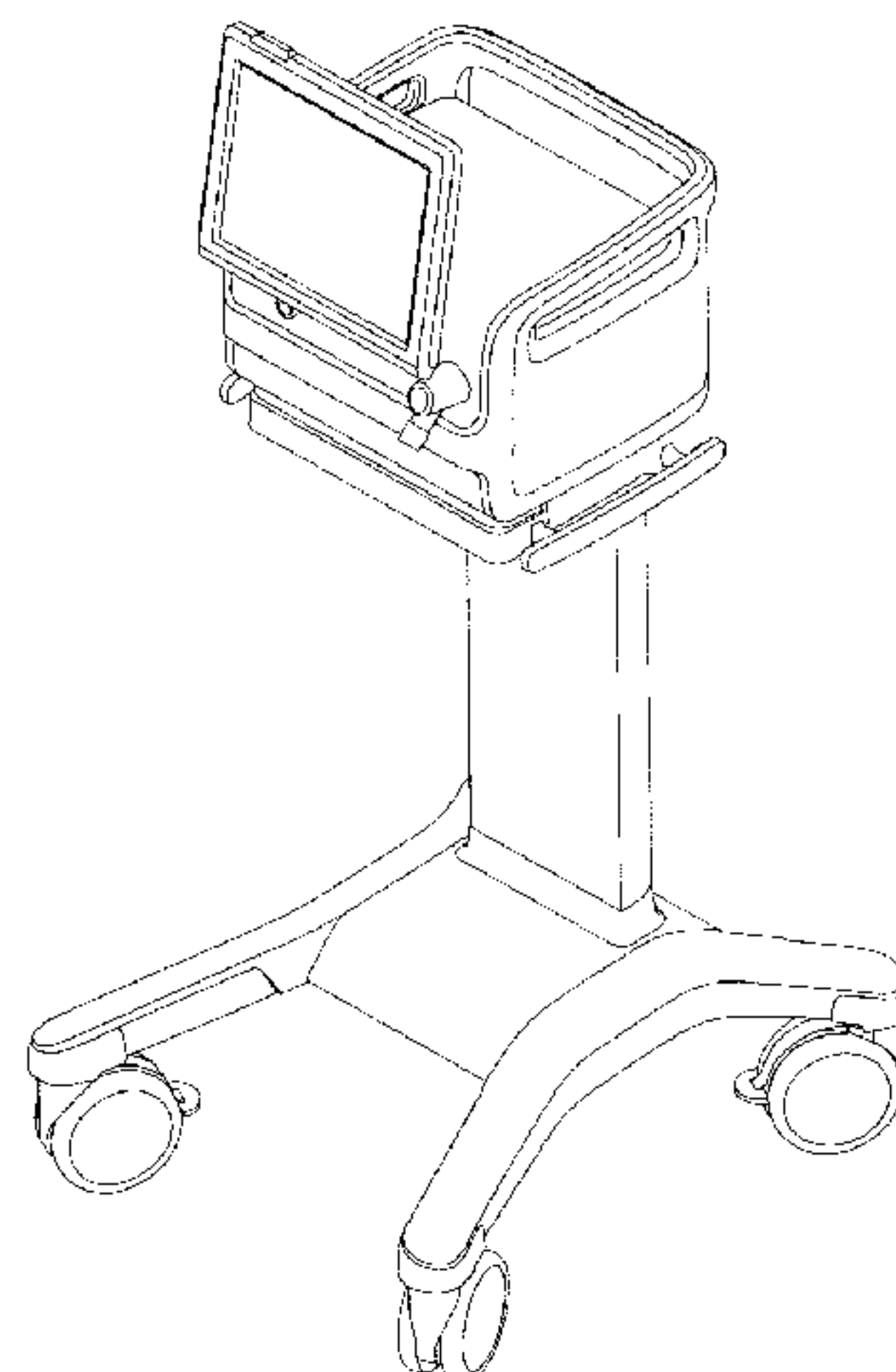
Primary Examiner Holly Baynham
Assistant Examiner — Rhea Shields
 (74) *Attorney, Agent, or Firm* — Schiff Hardin LLP

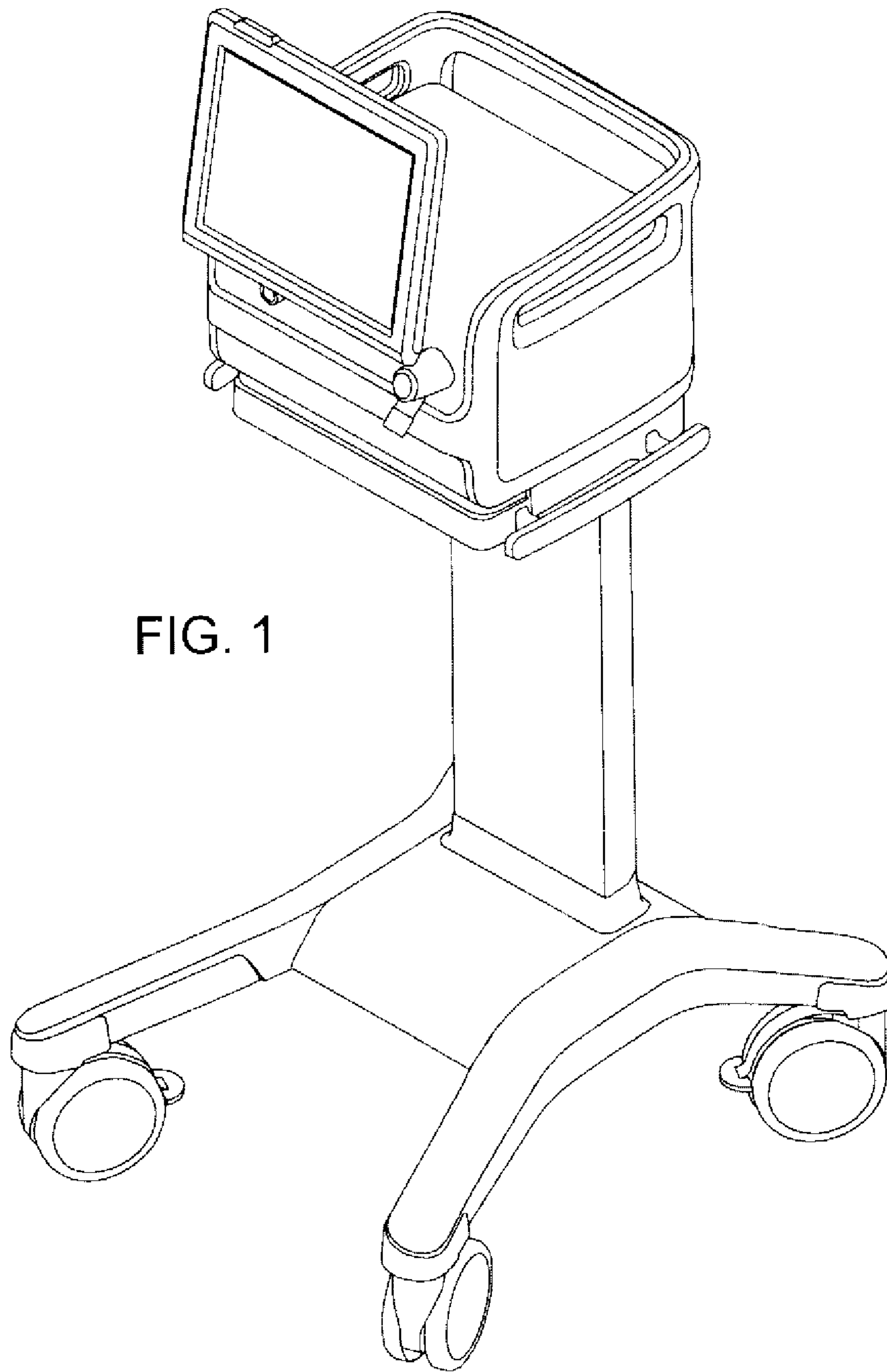
(57) **CLAIM**
 The ornamental design for a ventilator, as shown and described.

DESCRIPTION

FIG. 1 is a perspective view from a direction between a front and a right side of a ventilator with a screen pulled out;
 FIG. 2 is a right side elevational view of the ventilator of FIG. 1;
 FIG. 3 is a left side elevational view of the ventilator of FIG. 1;
 FIG. 4 is a front elevational view of the ventilator of FIG. 1;
 FIG. 5 is a rear elevational view of the ventilator of FIG. 1;
 FIG. 6 is a top plan view of the ventilator of FIG. 1;
 FIG. 7 is a bottom plan view of the ventilator of FIG. 1;
 FIG. 8 is a perspective view from a direction between the front and the right side of the ventilator of FIG. 1 with the screen folded;
 FIG. 9 is a right side elevational view of the ventilator of FIG. 8;
 FIG. 10 is a left side elevational view of the ventilator of FIG. 8;
 FIG. 11 is a front elevational view of the ventilator of FIG. 8;
 FIG. 12 is a rear elevational view of the ventilator of FIG. 8;
 FIG. 13 is a top plan view of the ventilator of FIG. 8; and
 FIG. 14 is a bottom plan view of the ventilator of FIG. 8.
 In the drawings, the broken lines are for the purpose of illustrating environment only and form no part of the claimed design.

1 Claim, 14 Drawing Sheets





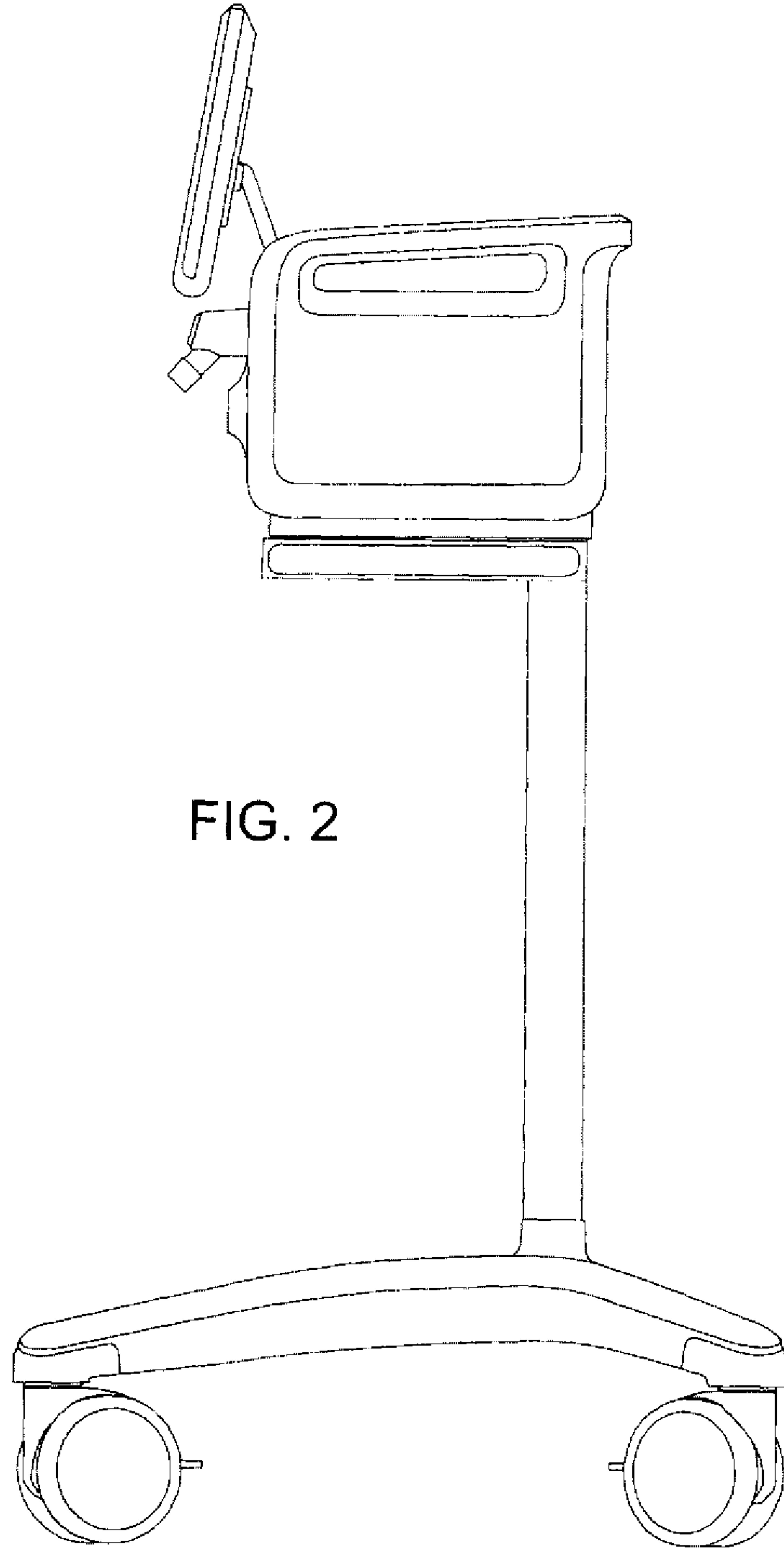
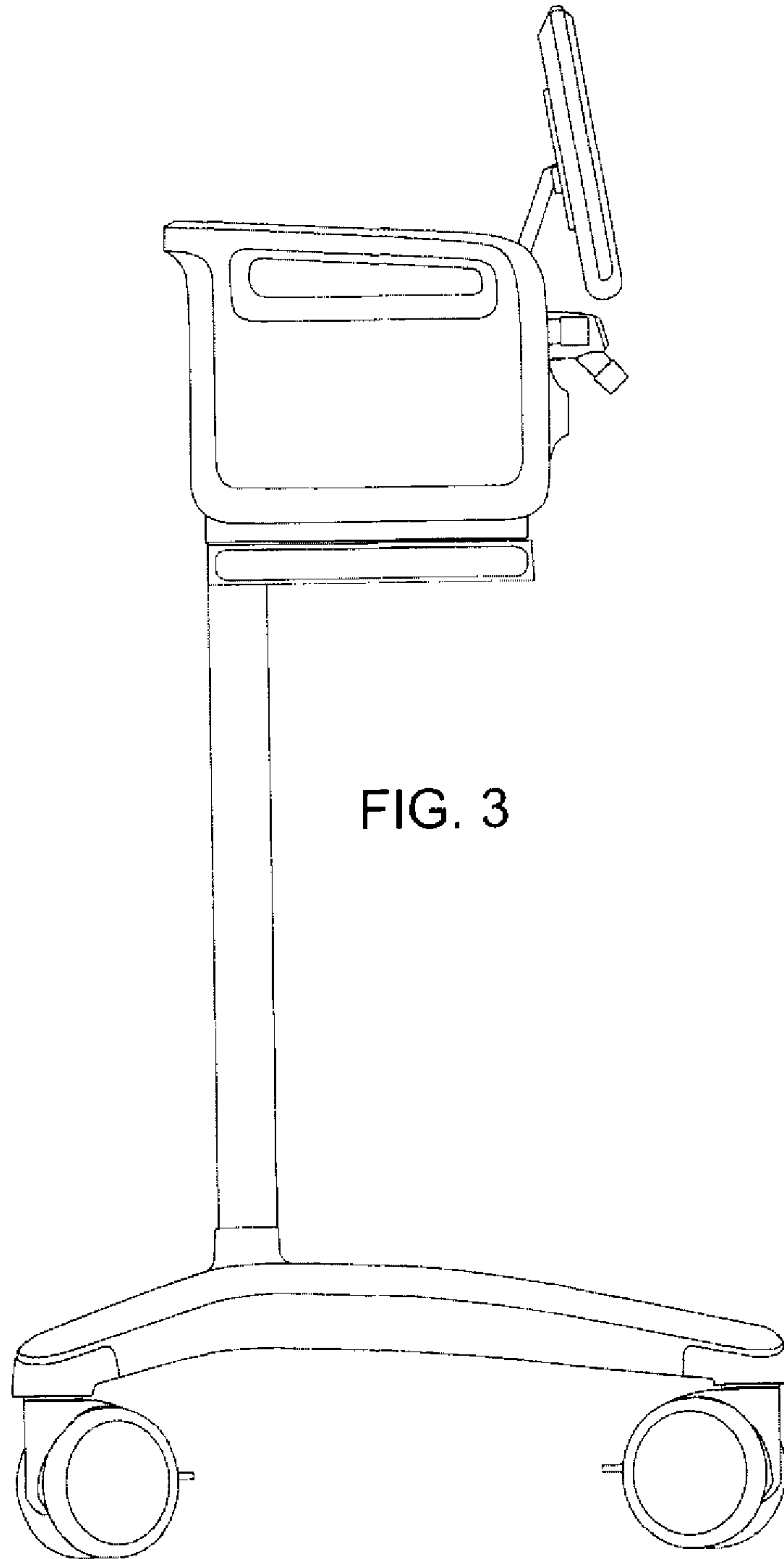


FIG. 2



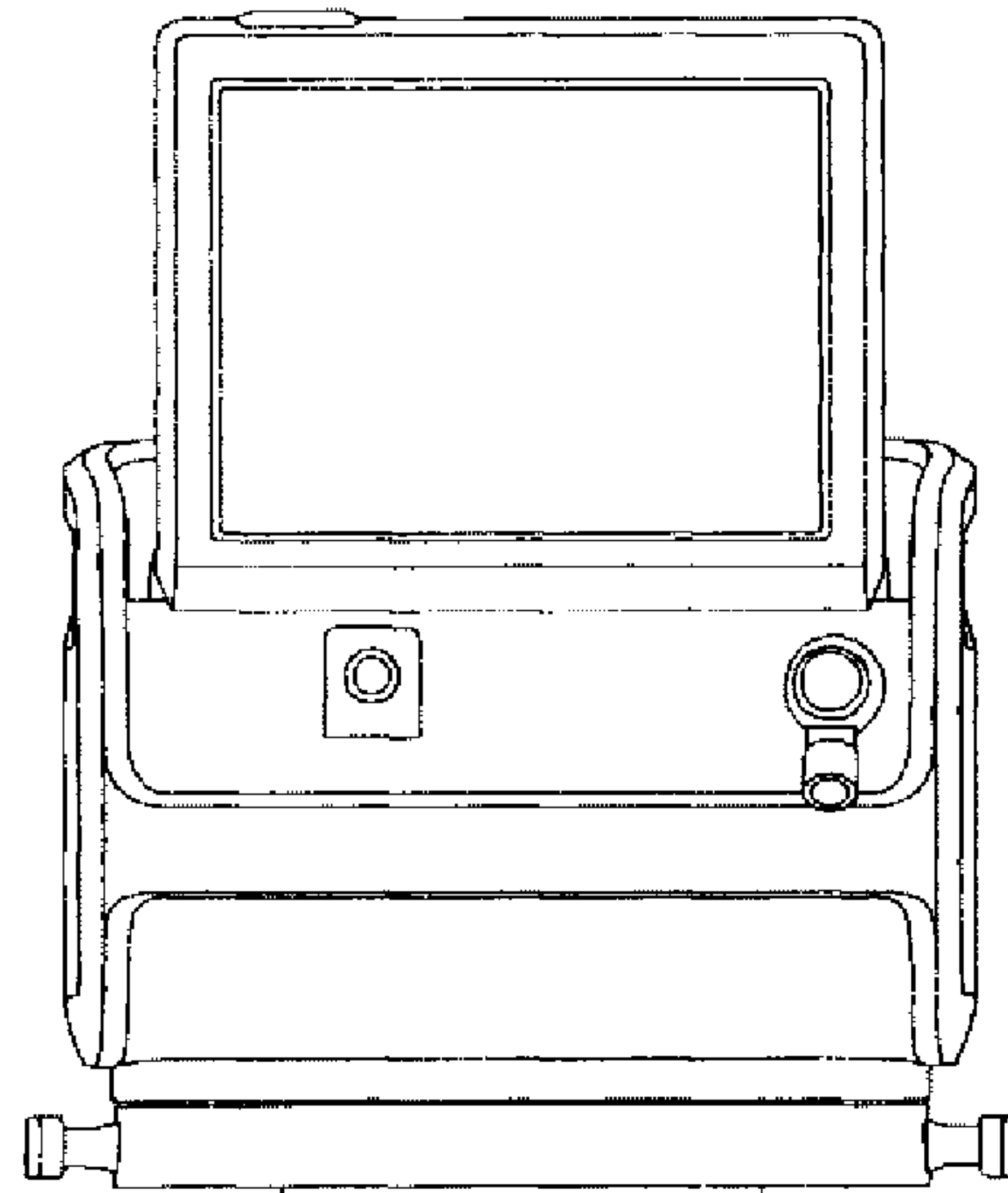
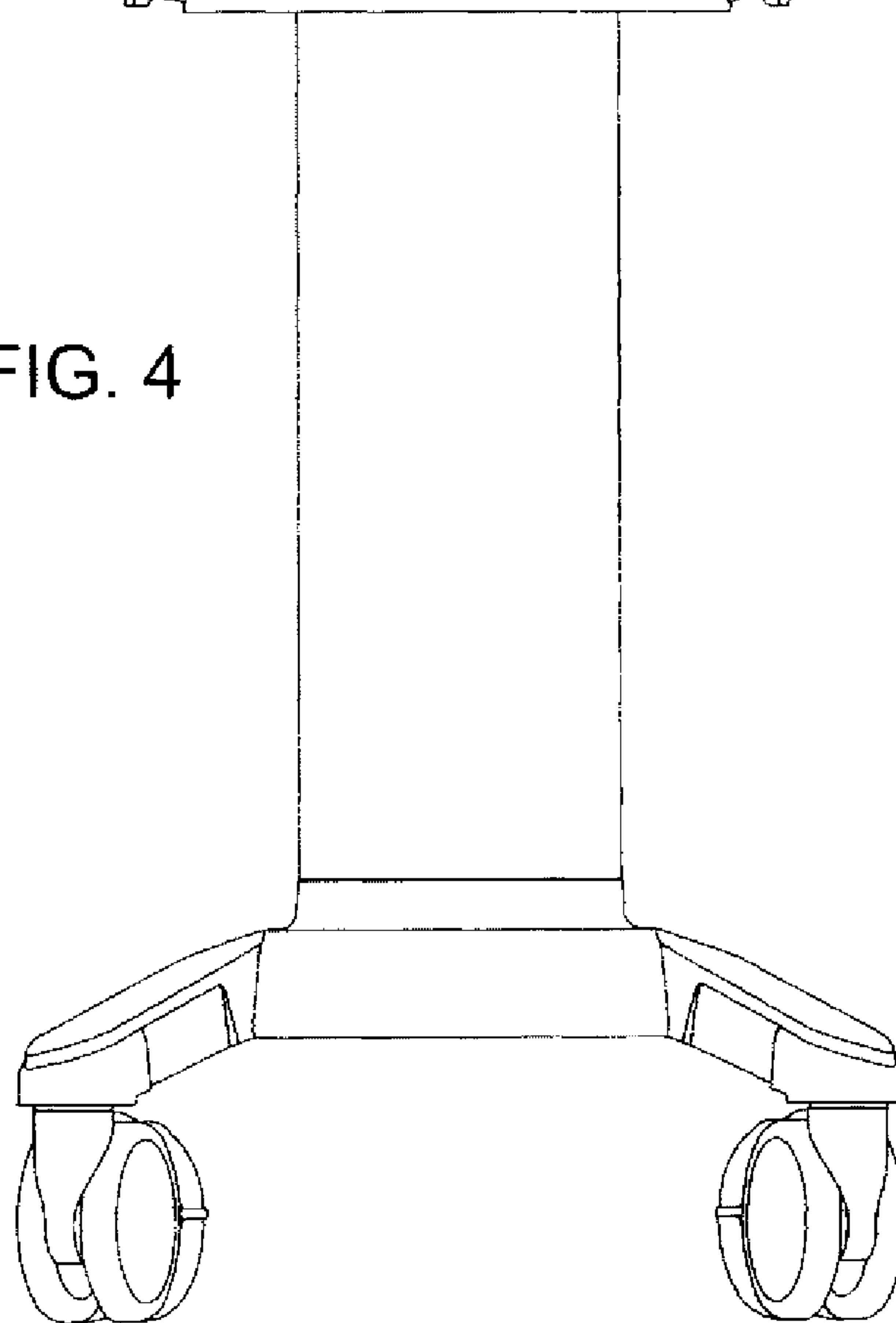


FIG. 4



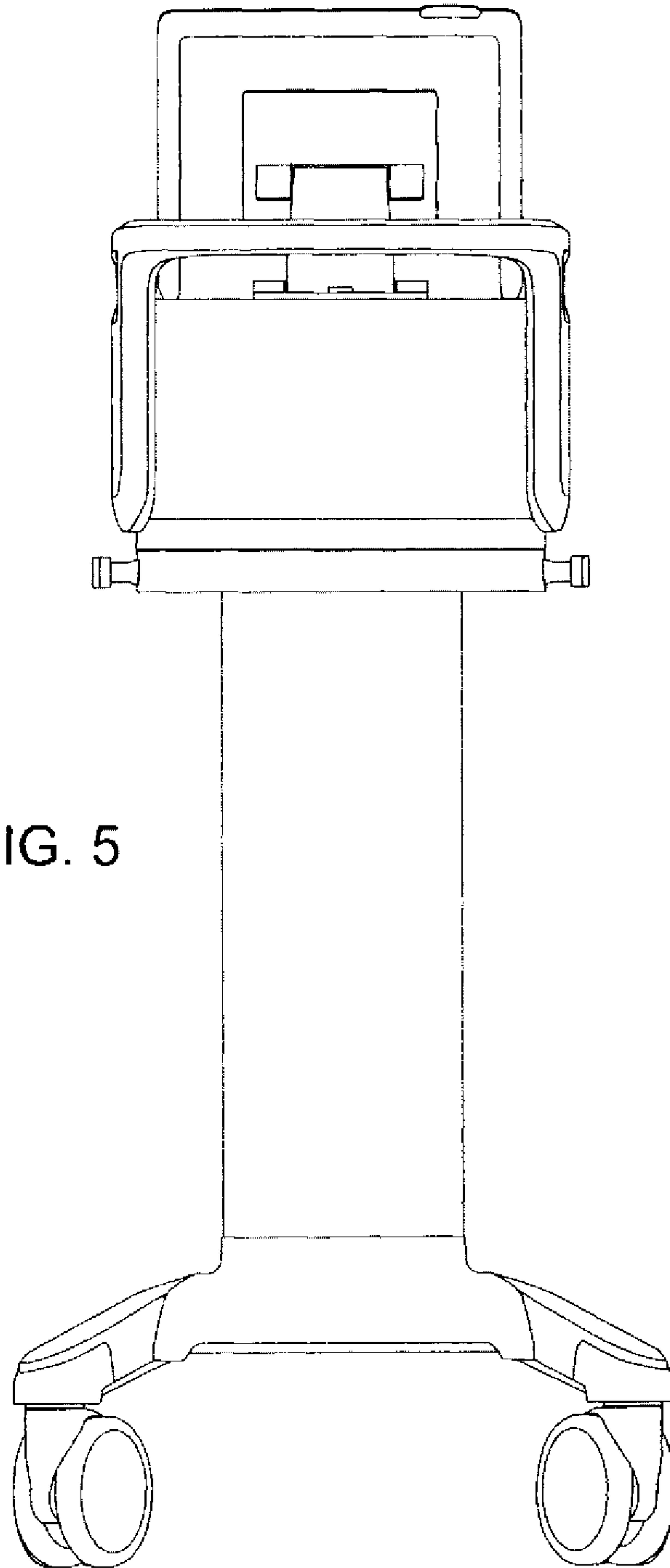


FIG. 5

FIG. 6

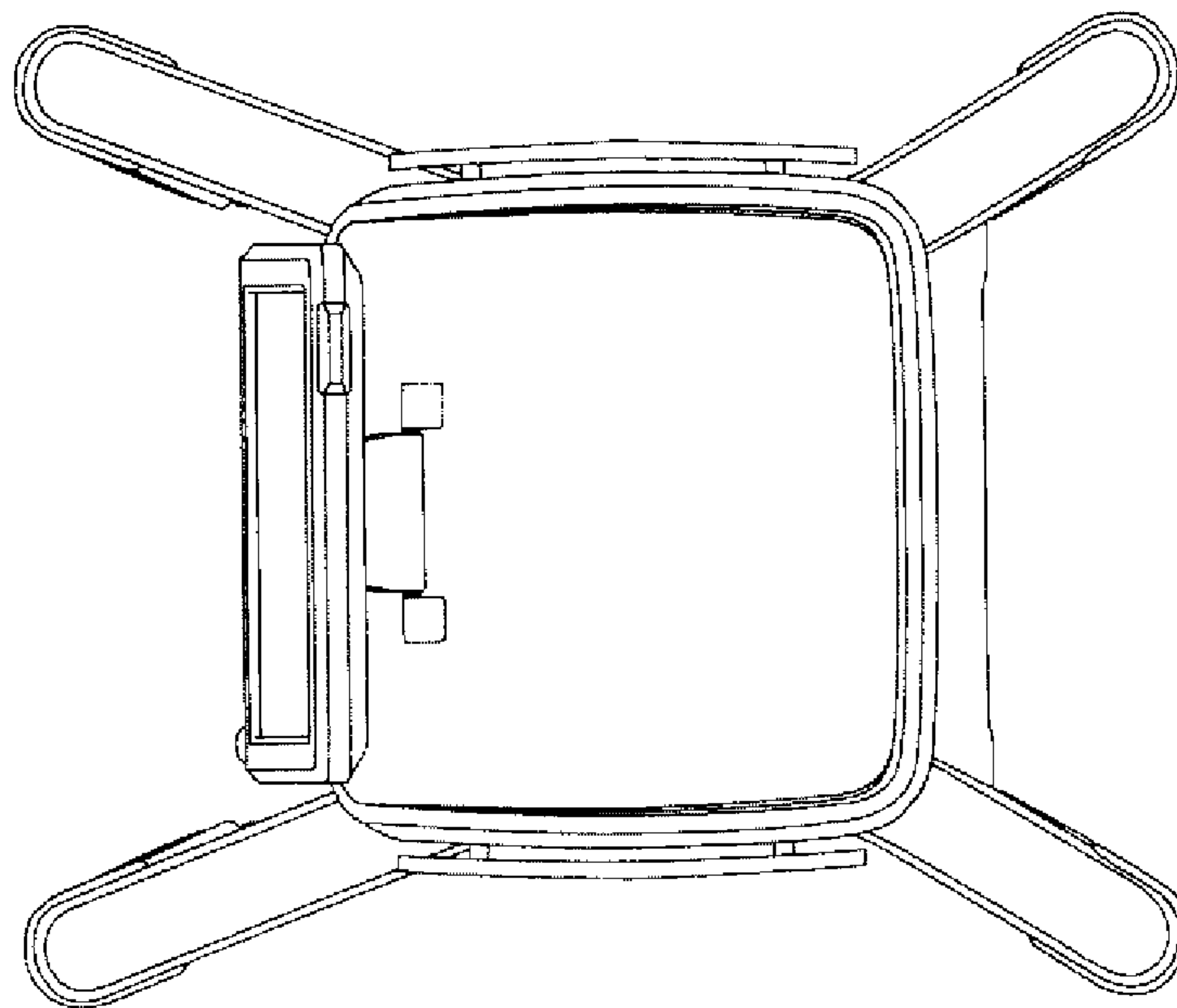
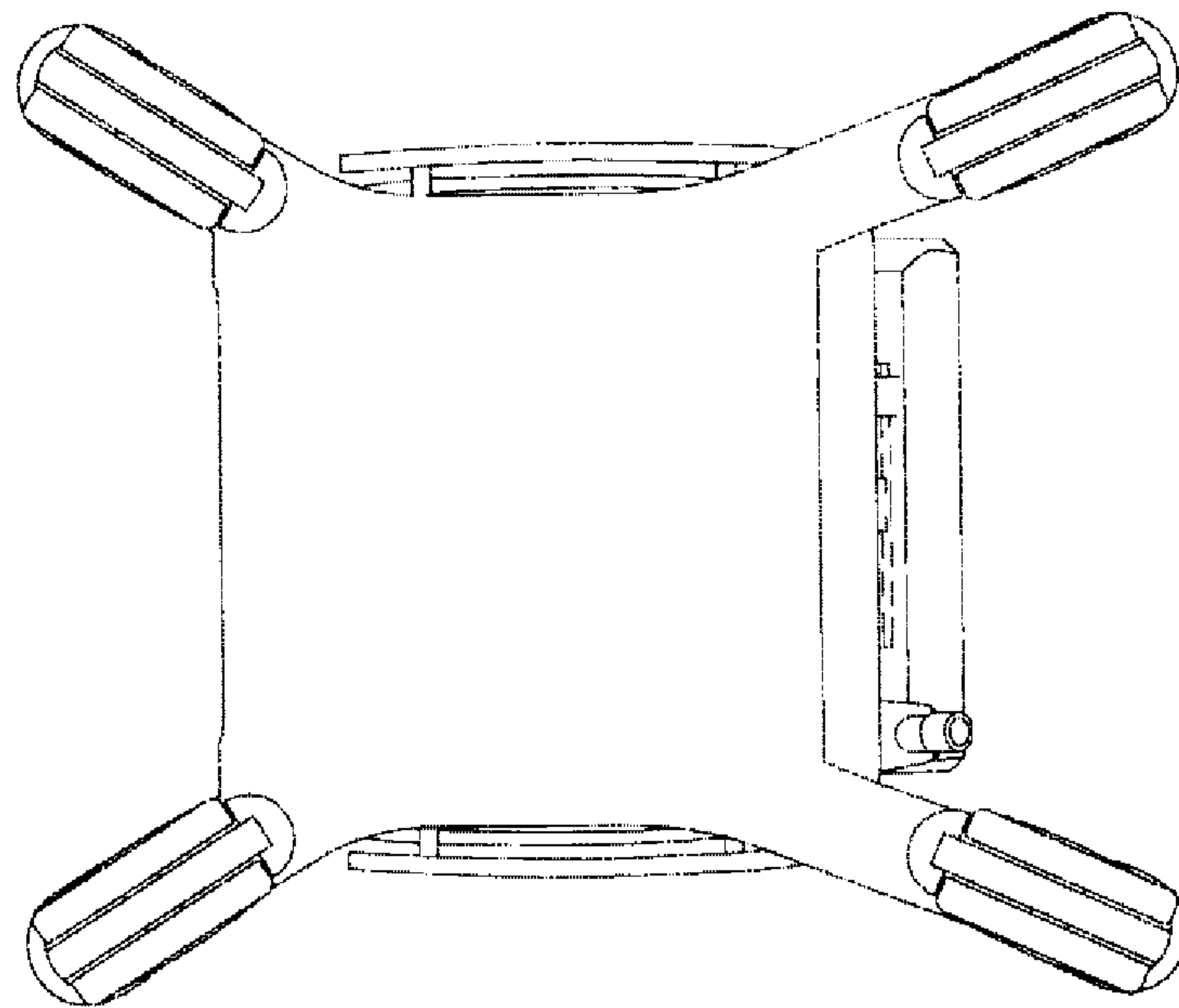


FIG. 7



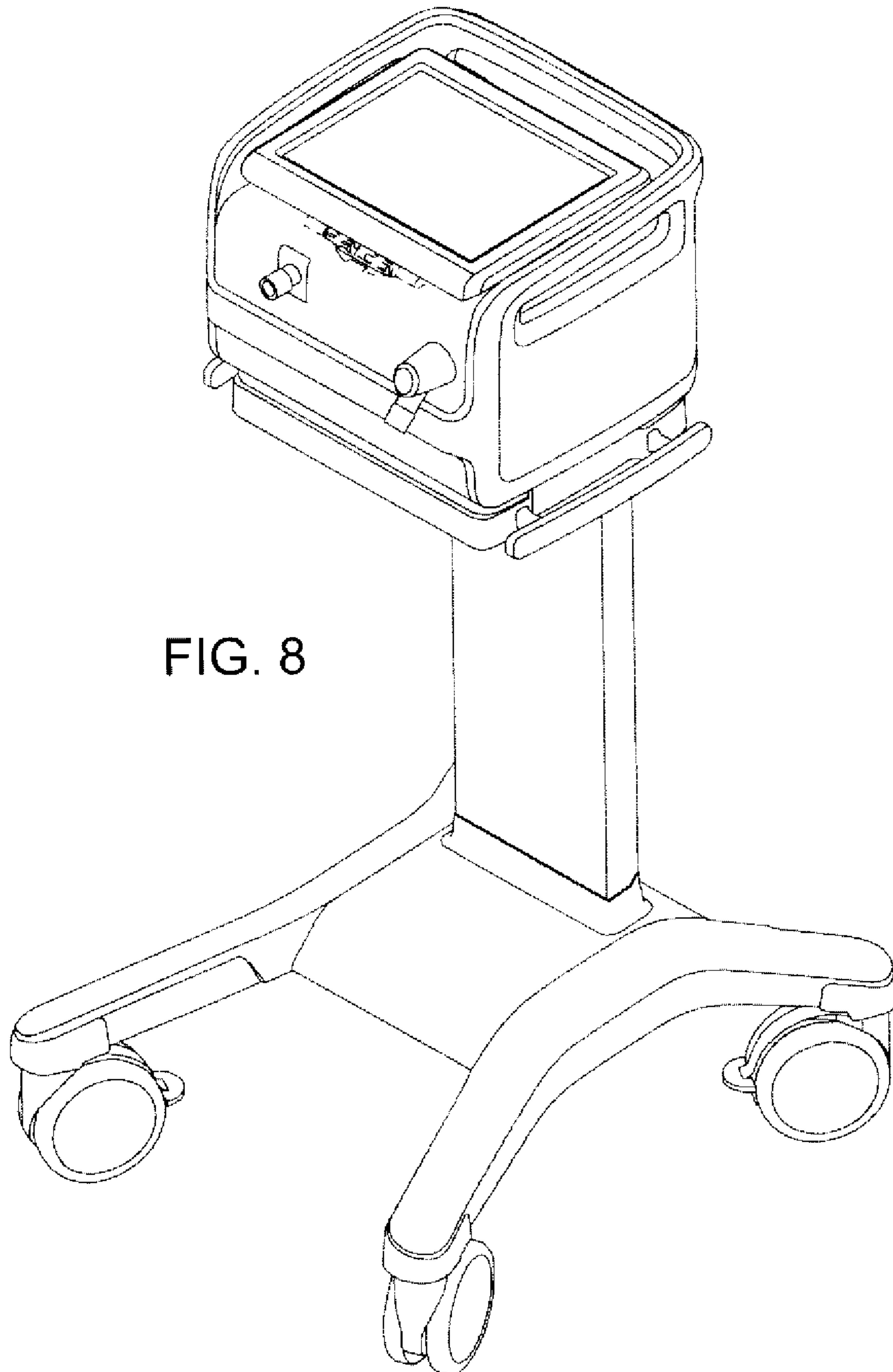


FIG. 8

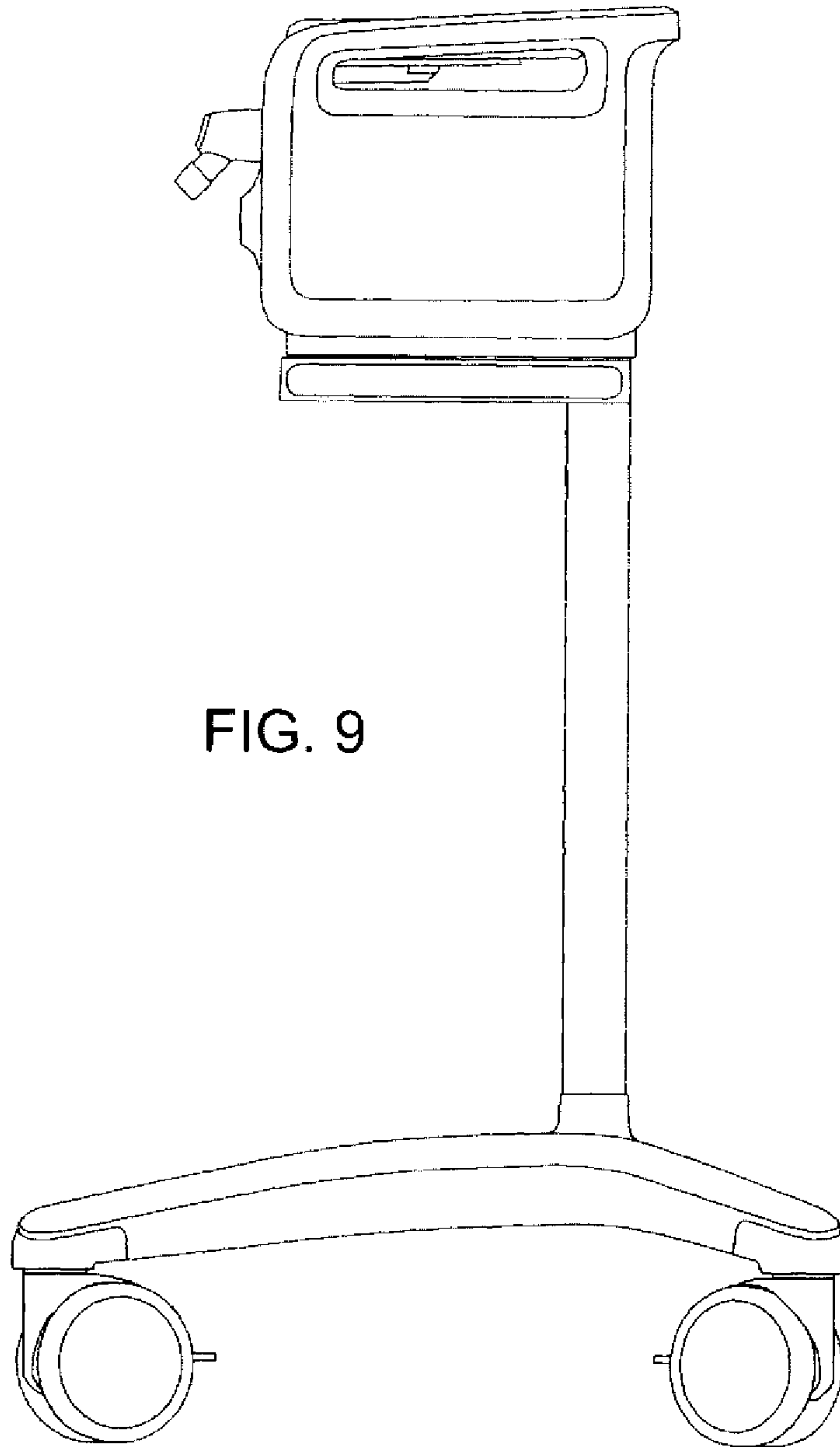


FIG. 9

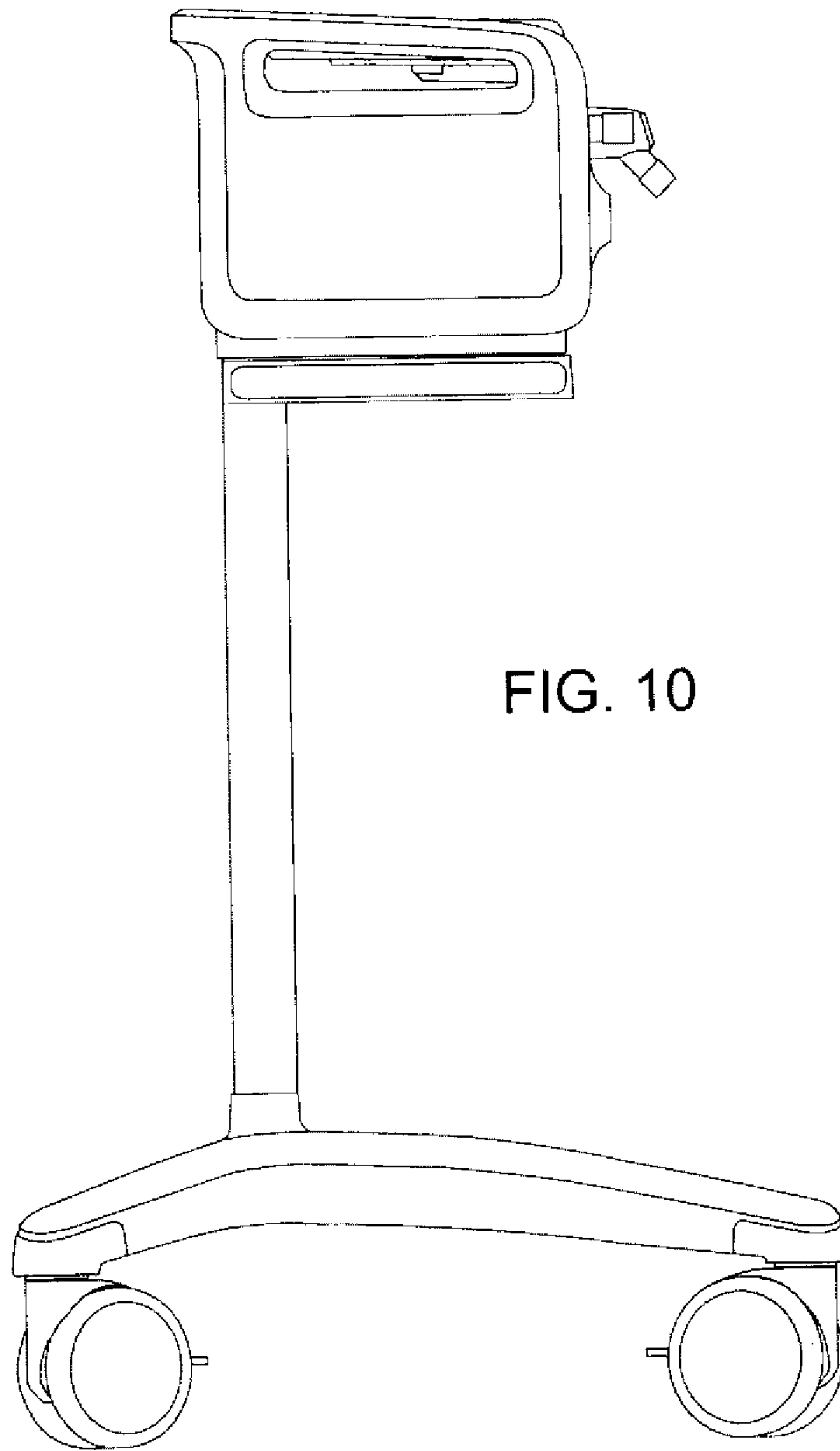


FIG. 10

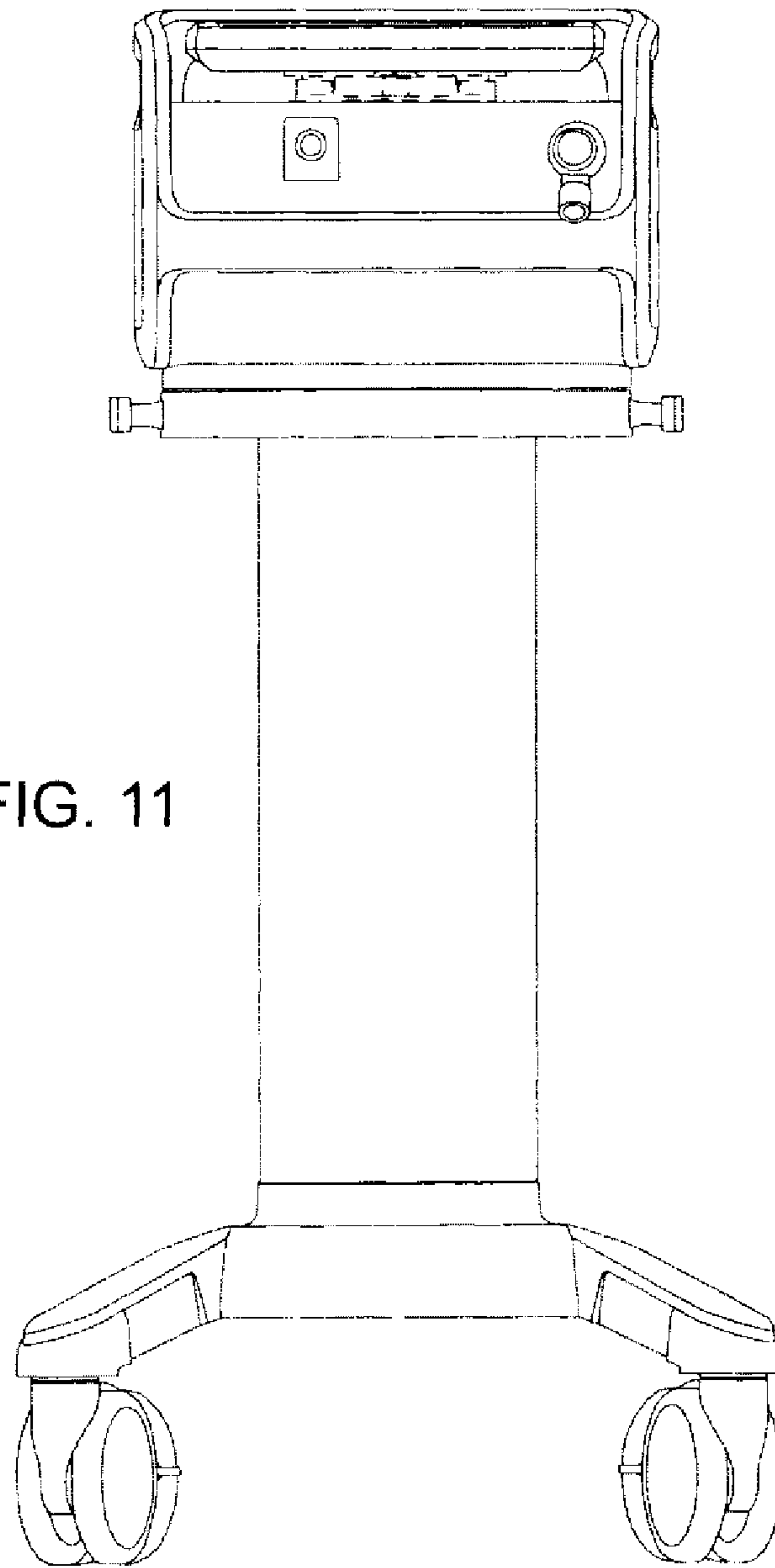


FIG. 11

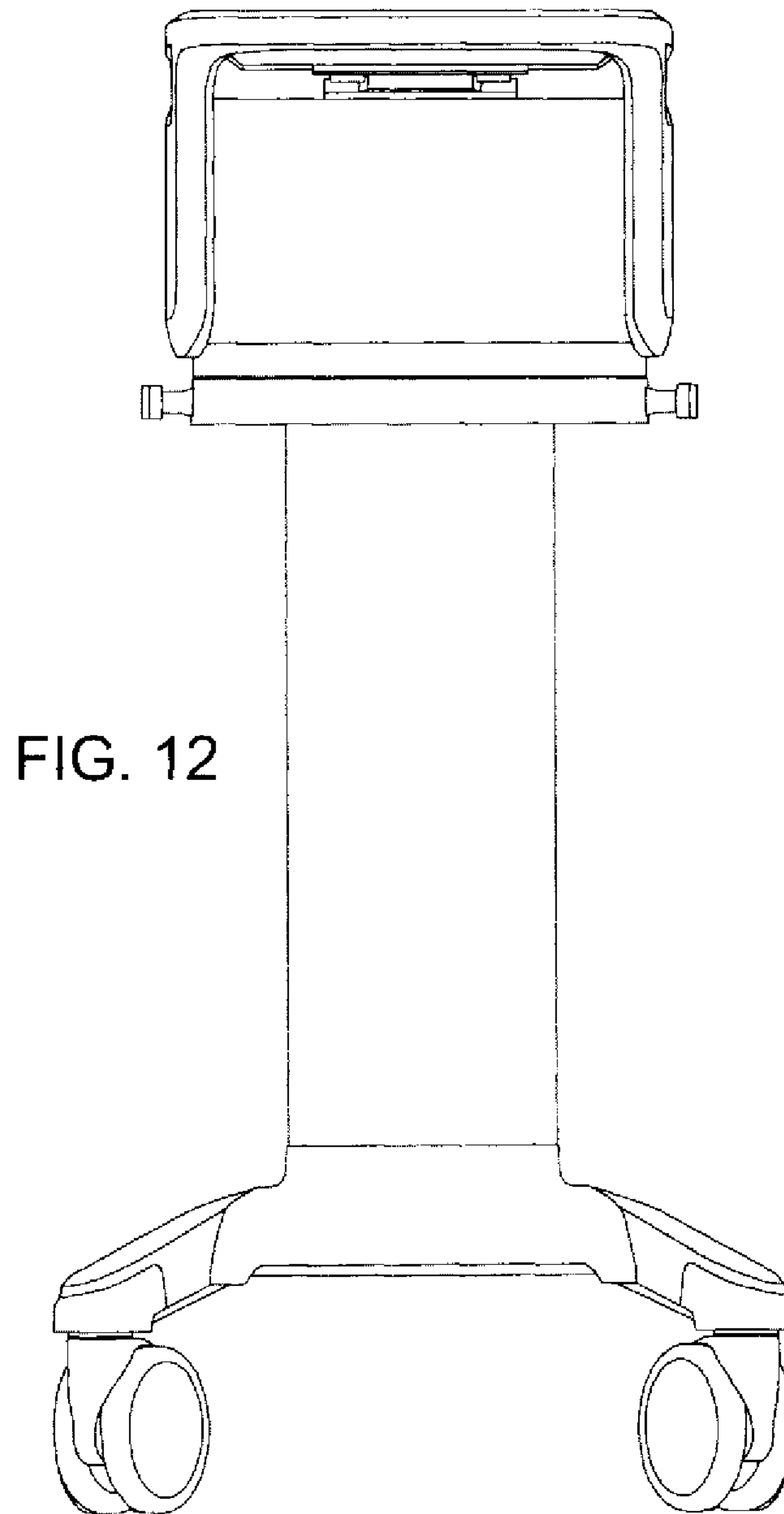


FIG. 12

FIG. 13

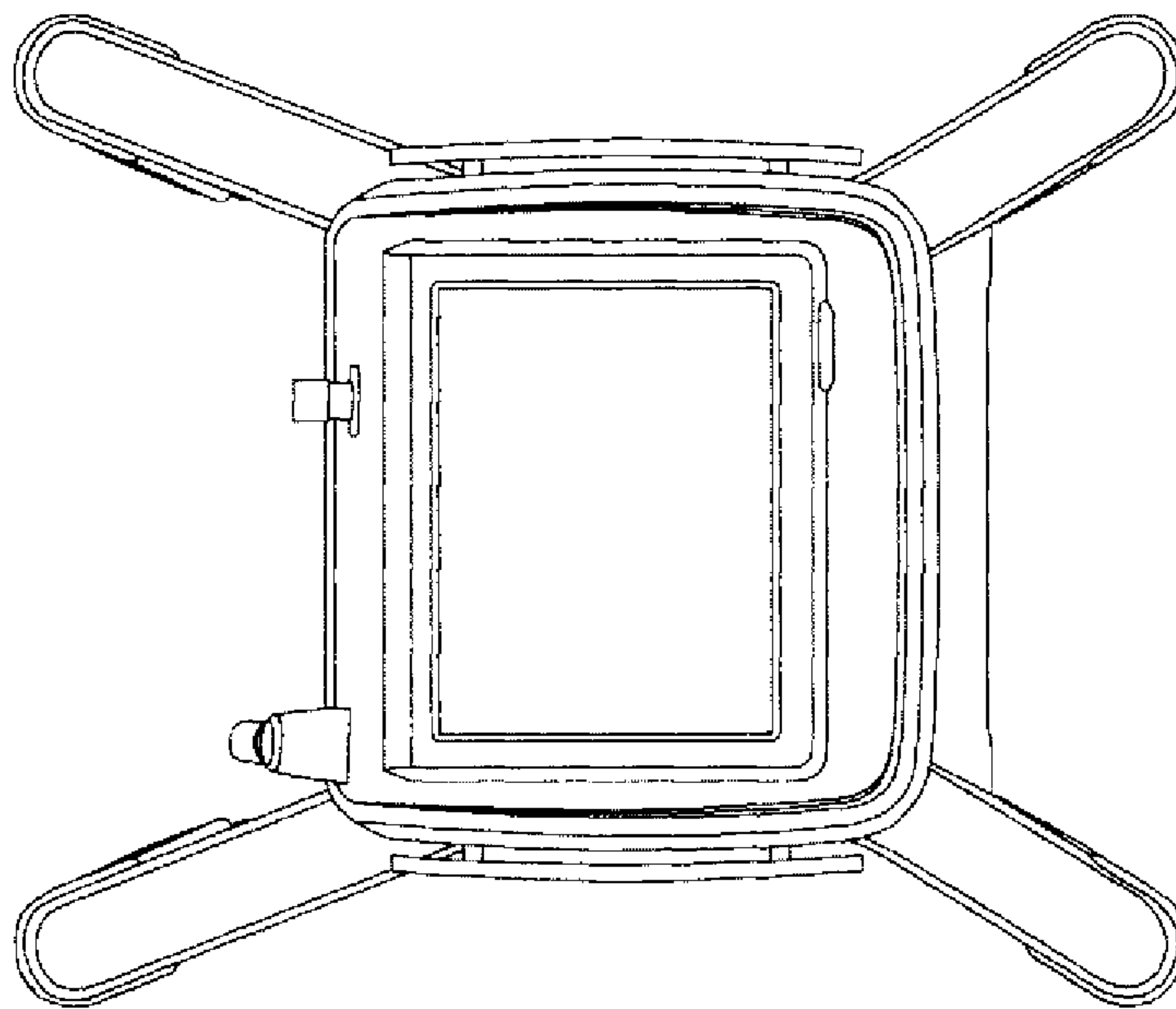


FIG. 14

