



US00D764668S

(12) **United States Design Patent**
Van Voorst

(10) **Patent No.:** **US D764,668 S**

(45) **Date of Patent:** **** Aug. 23, 2016**

(54) **COUCH-TOP EXTENSION FOR RADIOLOGIC IMAGING AND RADIO-THERAPY**

(71) Applicant: **CIVCO Medical Instruments Co., Inc.**,
Kalona, IA (US)

(72) Inventor: **Keith Alan Van Voorst**, Hull, IA (US)

(73) Assignee: **CIVCO Medical Instruments Co., Inc.**,
Kalona, IA (US)

(**) Term: **14 Years**

(21) Appl. No.: **29/520,094**

(22) Filed: **Mar. 11, 2015**

(51) **LOC (10) Cl.** **24-01**

(52) **U.S. Cl.**
USPC **D24/159**; D24/184

(58) **Field of Classification Search**
USPC D24/158–161, 185, 186, 107, 183, 184
CPC .. A61B 6/0407; A61B 6/0428; A61B 6/0421;
A61B 6/0442; A61G 2210/50; A61N 5/1049;
A61N 2005/1097
See application file for complete search history.

(56) **References Cited**

U.S. PATENT DOCUMENTS

- 5,537,454 A * 7/1996 Korver, II A61N 5/10
378/209
- 5,778,047 A * 7/1998 Mansfield A61B 6/04
378/177
- D406,345 S * 3/1999 Huttner D24/158
- 6,161,237 A * 12/2000 Tang A61B 6/0421
378/209

- 6,904,630 B2 * 6/2005 Al-Kassim A61B 6/0442
378/209
- D507,053 S * 7/2005 Åkerfeldt D24/158
- 6,941,599 B2 * 9/2005 Zacharopoulos A61B 6/04
378/209
- D553,751 S * 10/2007 Penenberg D24/184
- 7,836,890 B2 * 11/2010 Waterman A61B 6/0421
108/1
- 8,020,227 B2 * 9/2011 Dimmer A61B 6/0442
378/209
- D669,990 S * 10/2012 Degruytere D24/158
- 2006/0185087 A1 * 8/2006 Coppens A61B 6/0442
5/601
- 2016/0033589 A1 * 2/2016 Ota A61B 90/11
600/417

* cited by examiner

Primary Examiner — Anhdao Doan

(74) *Attorney, Agent, or Firm* — Caesar Rivise, PC

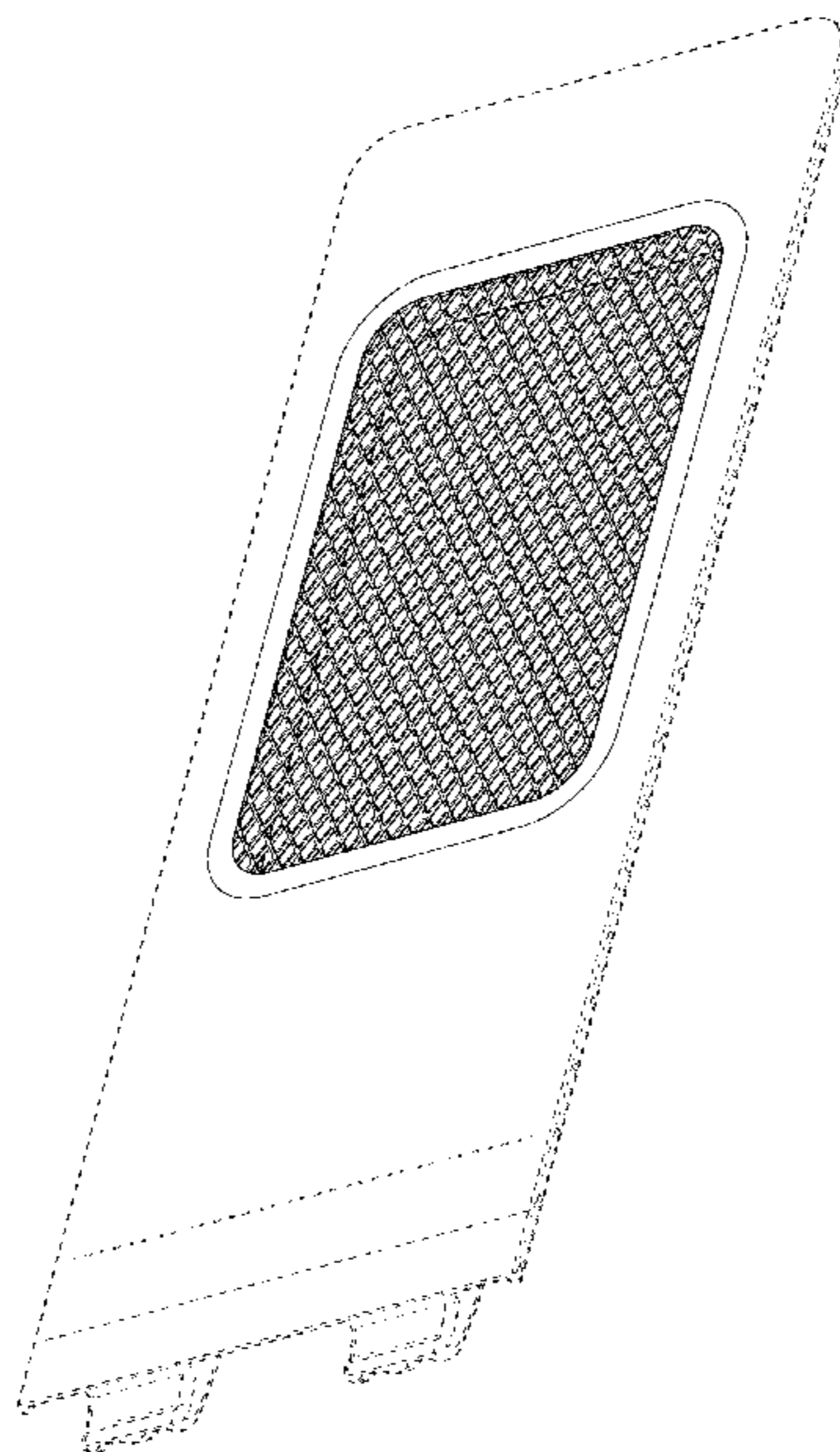
(57) **CLAIM**

The ornamental design for a couch-top extension for radiologic imaging and radio-therapy, as shown and described.

DESCRIPTION

FIG. 1 is a top isometric view of a couch-top extension for radiologic imaging and radio-therapy;
FIG. 2 is a top plan view thereof;
FIG. 3 is a bottom plan view thereof;
FIG. 4 is a right side view thereof;
FIG. 5 is a left side view thereof;
FIG. 6 is an end view thereof; and,
FIG. 7 is another end view thereof.
The broken lines illustrate portions of the couch-top extension that form no part of the claimed design.

1 Claim, 5 Drawing Sheets



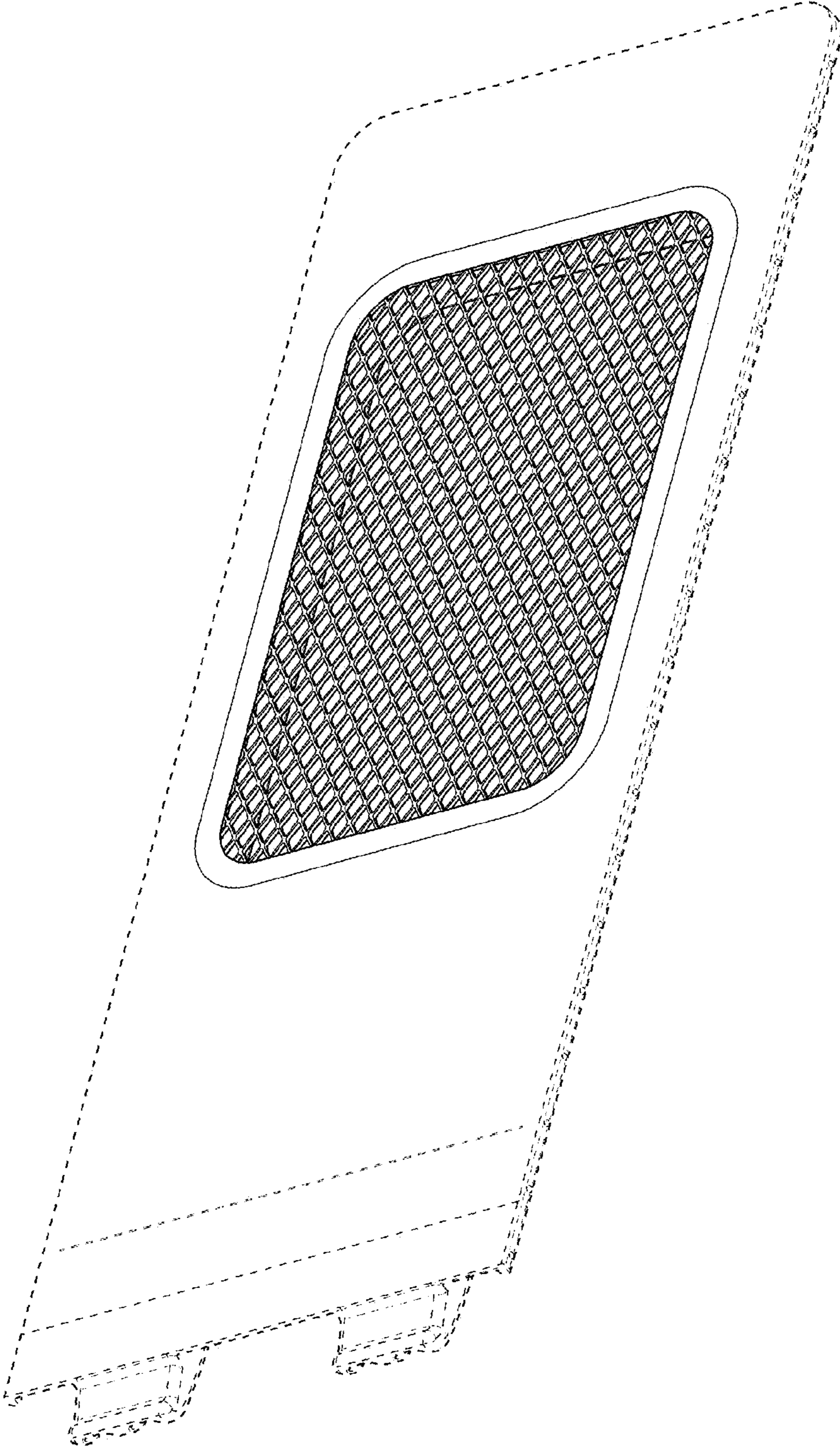


FIG. 1

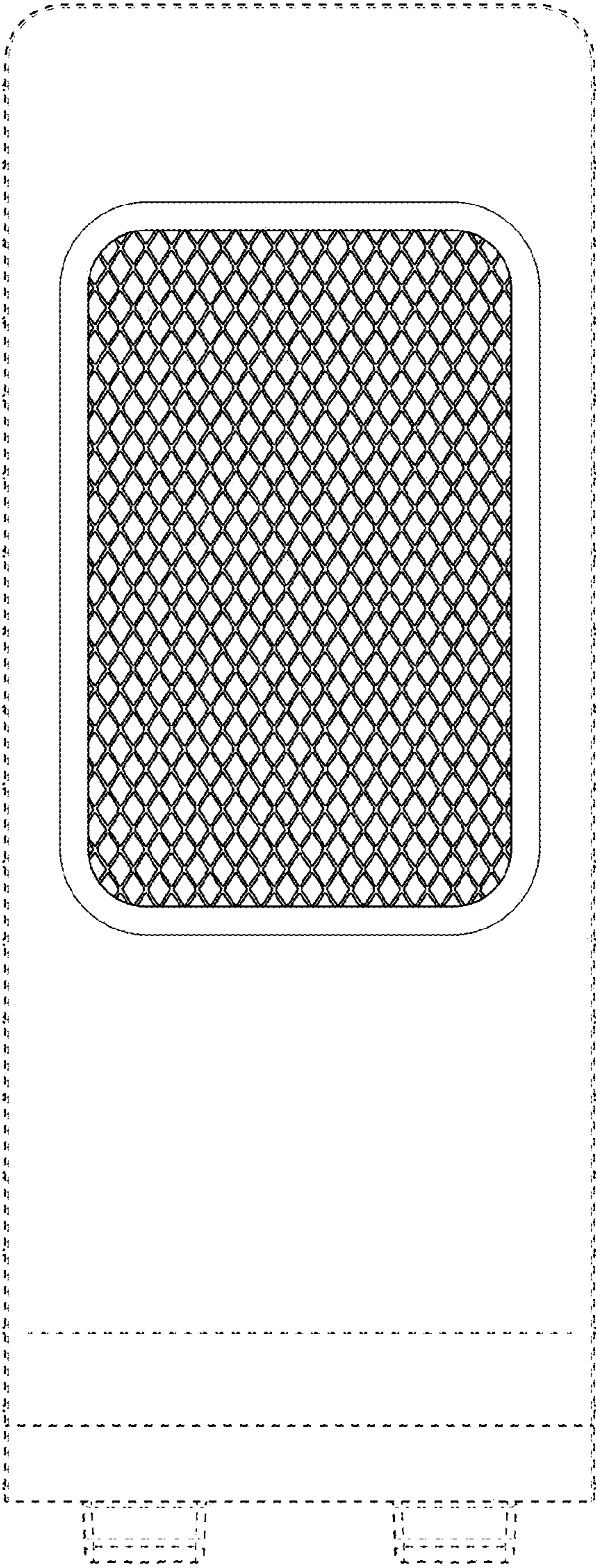


FIG. 2

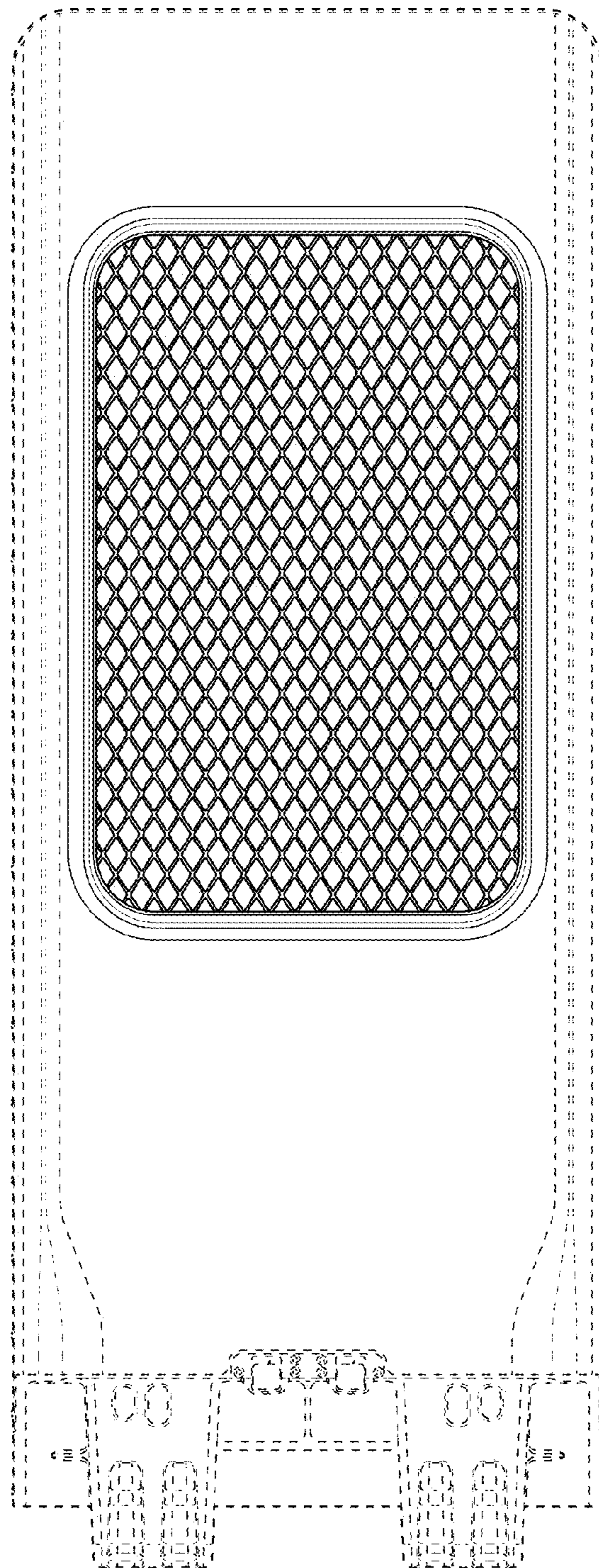


FIG. 3

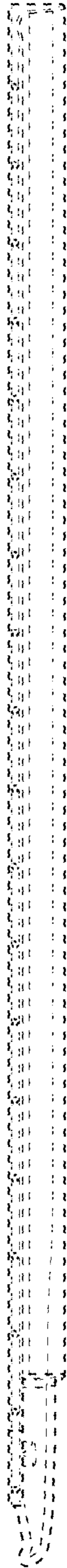


FIG. 4

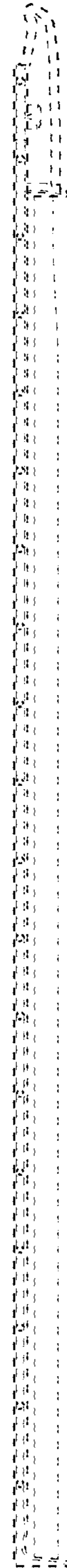


FIG. 5

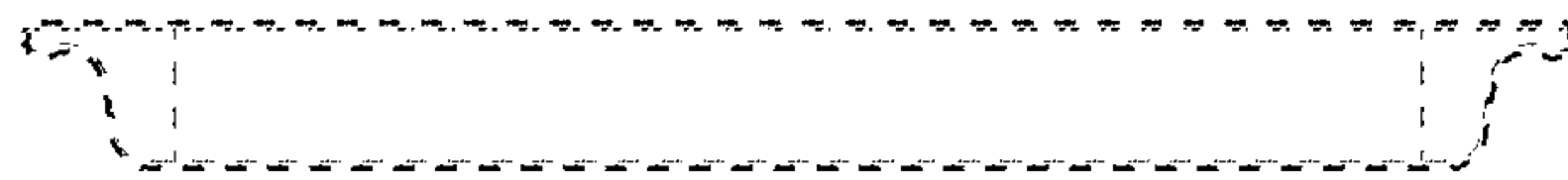


FIG. 6

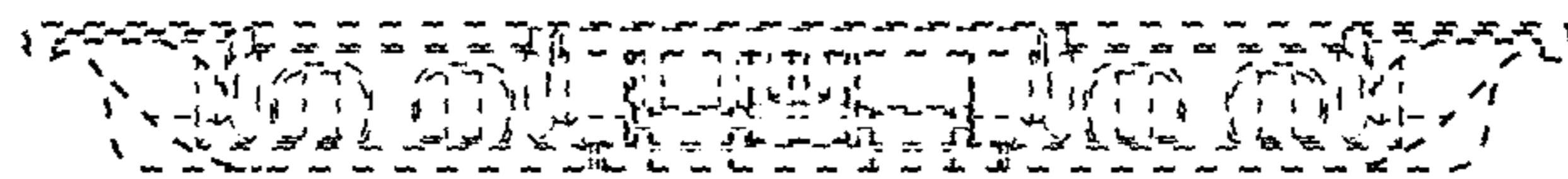


FIG. 7