



US00D764666S

(12) **United States Design Patent**
Burkinshaw et al.

(10) **Patent No.:** **US D764,666 S**

(45) **Date of Patent:** **** Aug. 23, 2016**

(54) **UNITARY SPINAL DISC IMPLANT**

(71) Applicants: **Brian D. Burkinshaw**, Pflugerville, TX
(US); **Jonathan Stupka**, Lakeway, TX
(US)

(72) Inventors: **Brian D. Burkinshaw**, Pflugerville, TX
(US); **Jonathan Stupka**, Lakeway, TX
(US)

(**) Term: **14 Years**

(21) Appl. No.: **29/481,792**

(22) Filed: **Feb. 10, 2014**

(51) **LOC (10) Cl.** **24-02**

(52) **U.S. Cl.**
USPC **D24/155**

(58) **Field of Classification Search**
USPC D24/155–157
CPC A61F 2/4611; A61F 2/442; A61F 2/447;
A61F 2220/0025; A61F 2310/00023; A61F
2310/00017; A61F 2002/4475; A61F
2002/30841; A61F 2002/2835; A61F
2002/30904; A61F 2002/30785; A61F
2002/443; A61F 2002/30578

See application file for complete search history.

(56) **References Cited**

U.S. PATENT DOCUMENTS

5,071,437 A 12/1991 Steffee
7,025,787 B2 * 4/2006 Bryan A61B 17/1671
623/17.15
D598,105 S * 8/2009 Krishna D24/155
7,601,174 B2 * 10/2009 Kelly A61B 17/02
623/17.13

7,901,459 B2 * 3/2011 Hodges A61F 2/4405
623/17.14
8,038,920 B2 * 10/2011 Denoziere A61L 27/16
264/101
8,092,542 B2 * 1/2012 Bryan A61B 17/02
623/16.11
8,226,723 B2 * 7/2012 Conti A61F 2/442
623/17.16
8,603,171 B2 * 12/2013 McClellan, III A61F 2/442
623/17.16
8,926,703 B2 * 1/2015 Michelson A61F 2/4455
623/17.16
2005/0251260 A1 * 11/2005 Gerber A61F 2/441
623/17.13

2006/0276790 A1 12/2006 Dawson
2009/0216331 A1 8/2009 Grotz
2012/0191193 A1 7/2012 Trieu

* cited by examiner

Primary Examiner — Charles Hanson

(57) **CLAIM**

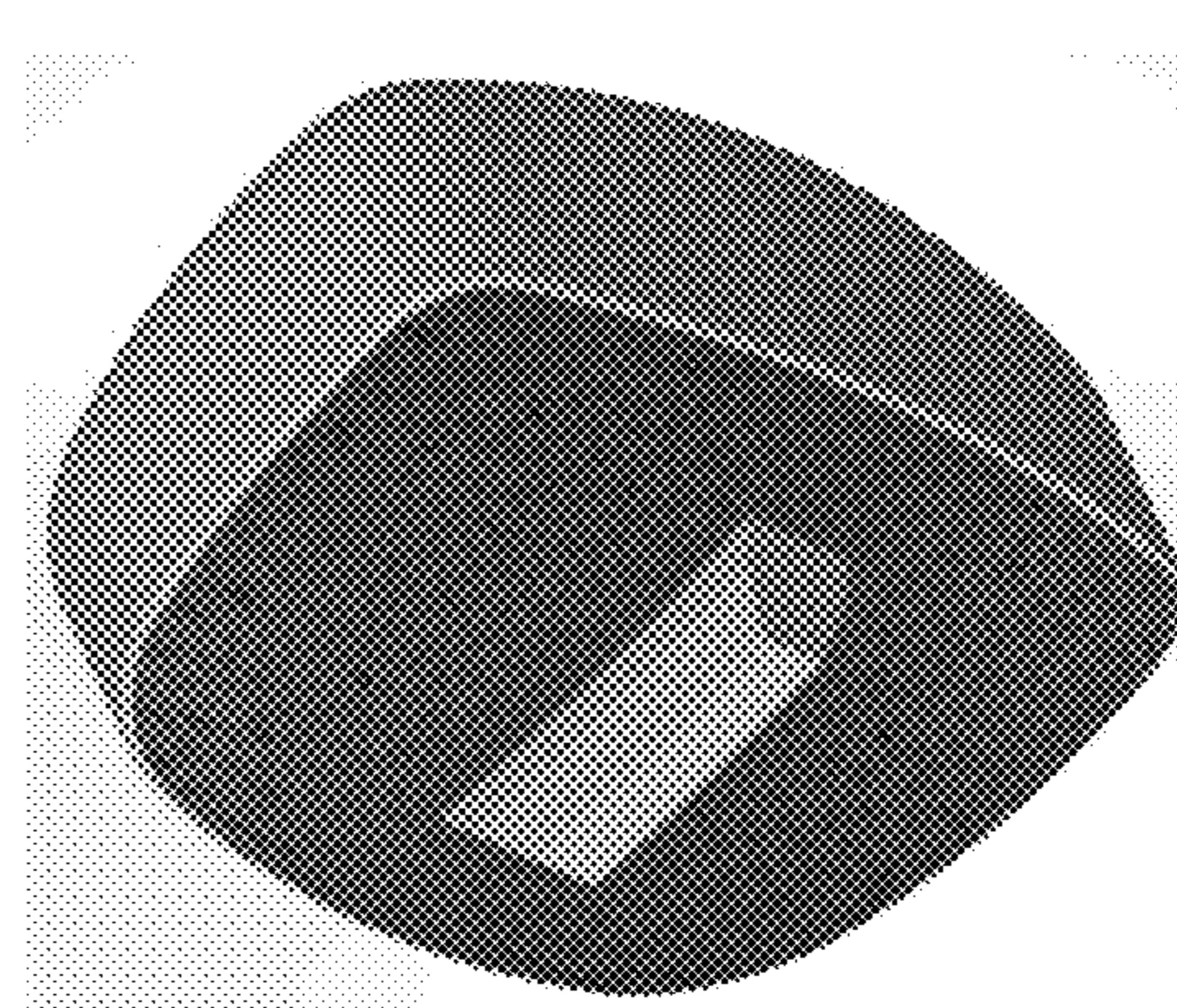
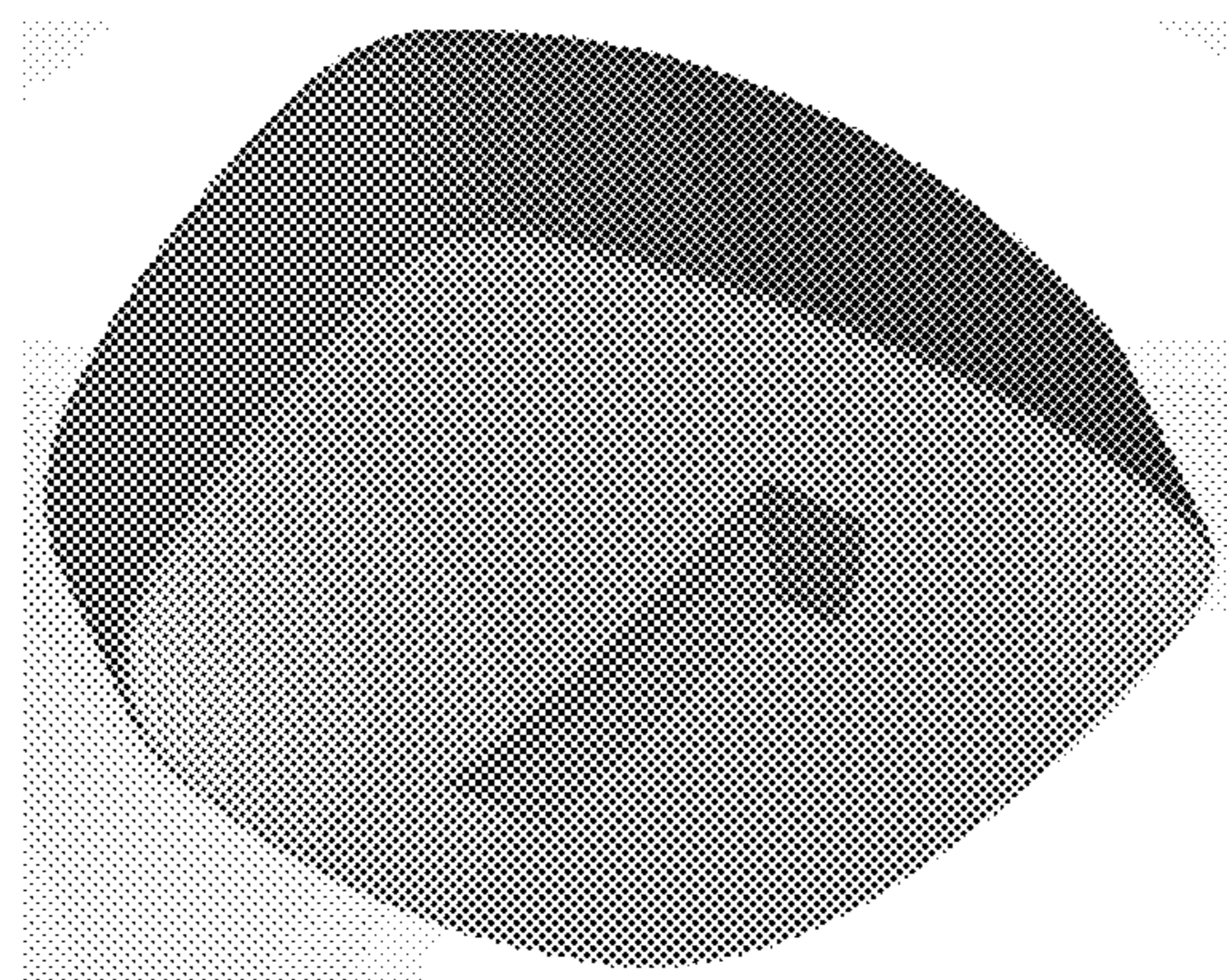
The ornamental design for a unitary spinal disc implant, as shown and described.

DESCRIPTION

FIG. 1 is a front perspective view of an unitary spinal disc implant, showing our new design;
FIG. 2 is a side elevation view thereof;
FIG. 3 is a bottom plan elevation view thereof;
FIG. 4 is a back elevation view thereof;
FIG. 5 is a bottom perspective view thereof; and,
FIG. 6 is a bottom perspective view of a second embodiment of the design of FIG. 5.

The differences in shading indicates a contrast in appearance in FIG. 6.

1 Claim, 1 Drawing Sheet



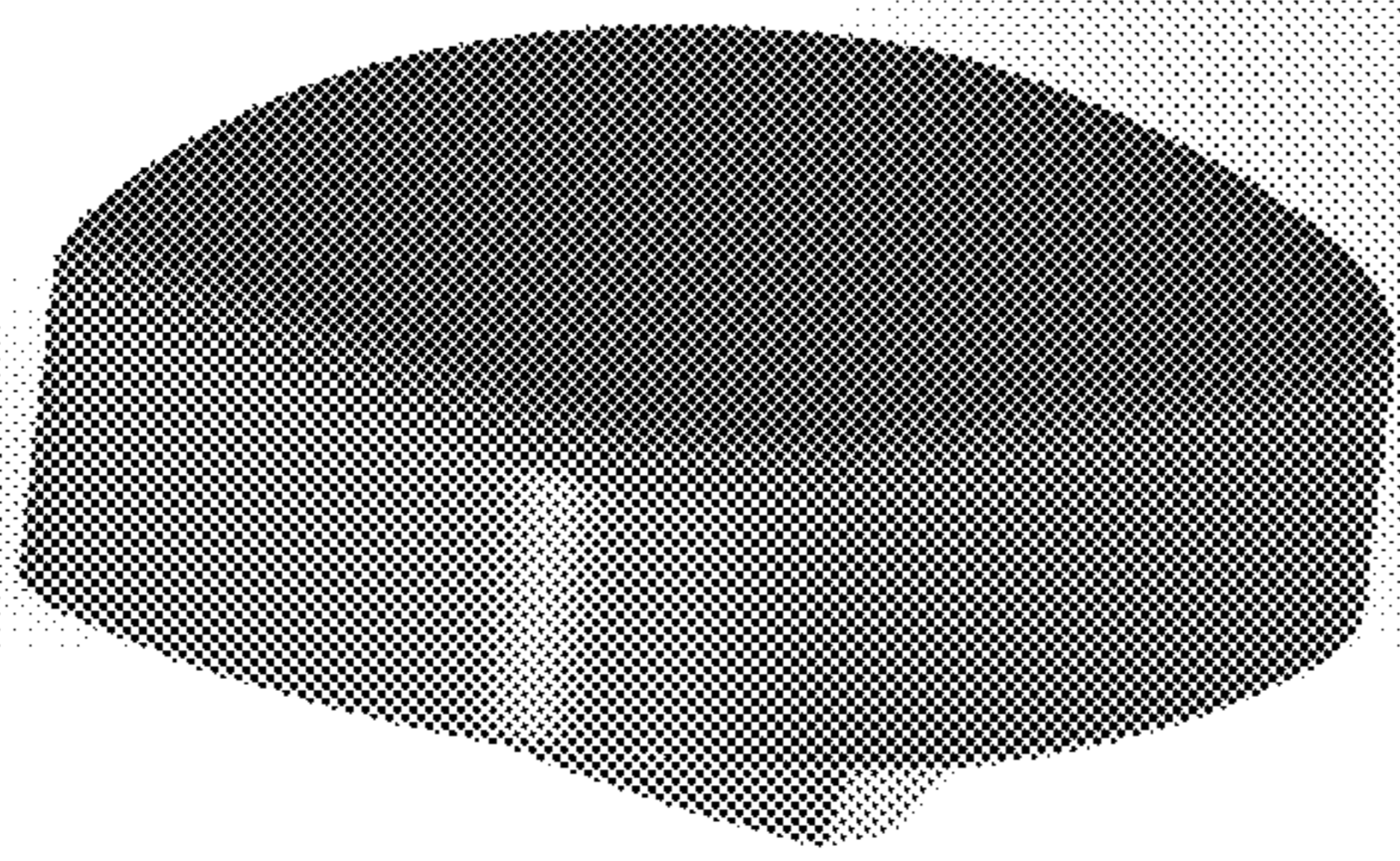


FIG. 1

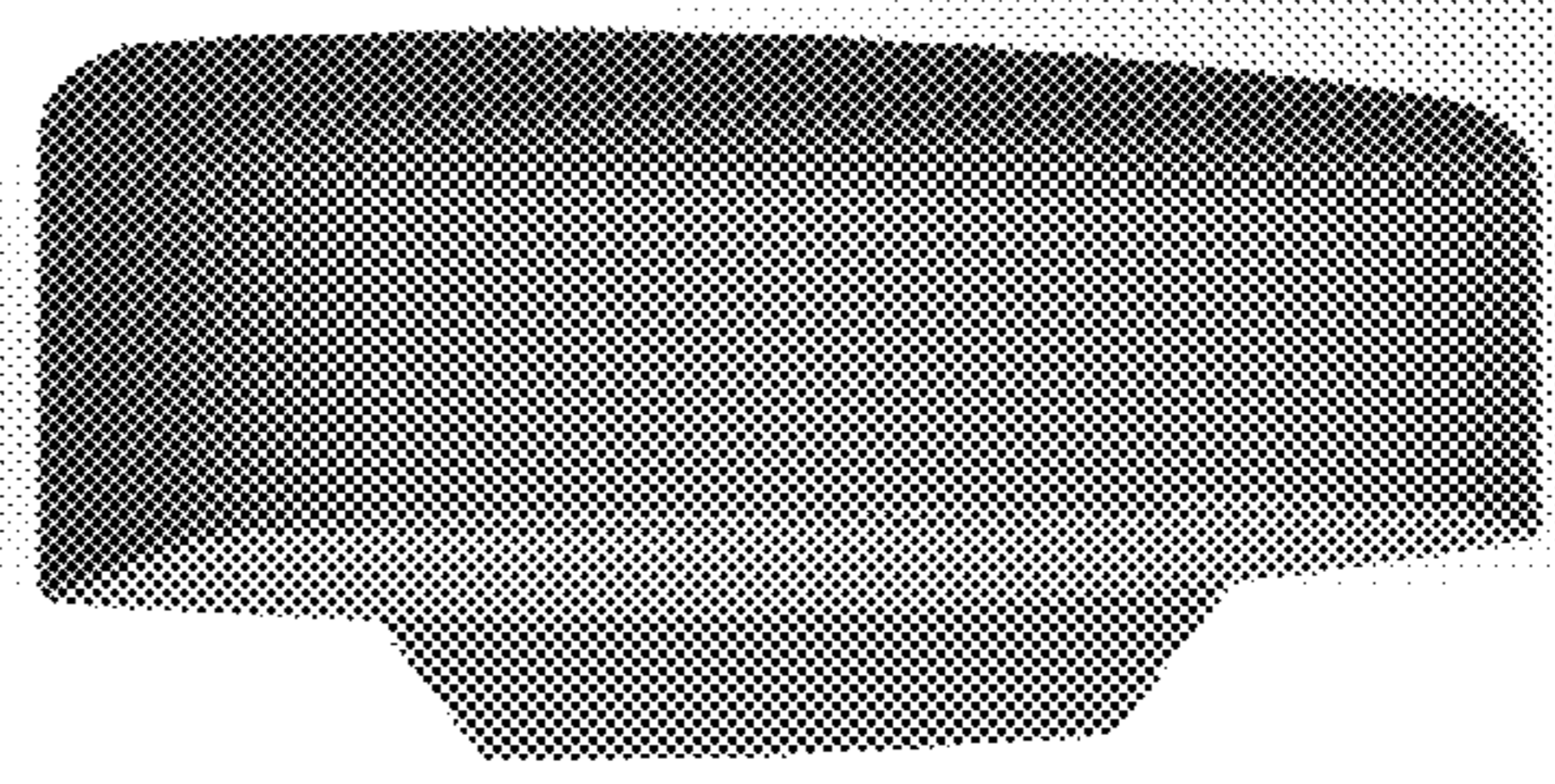


FIG. 2

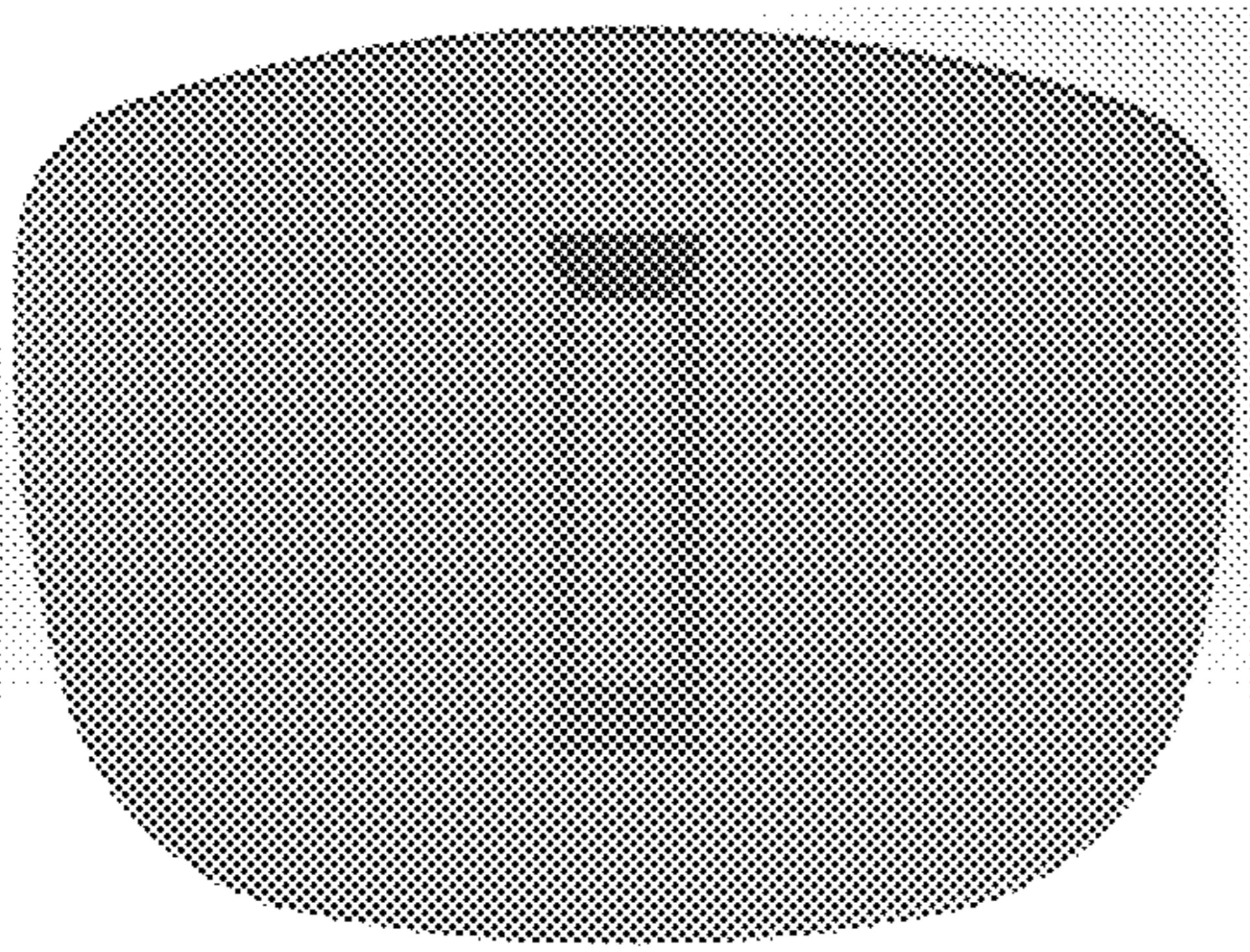


FIG. 3

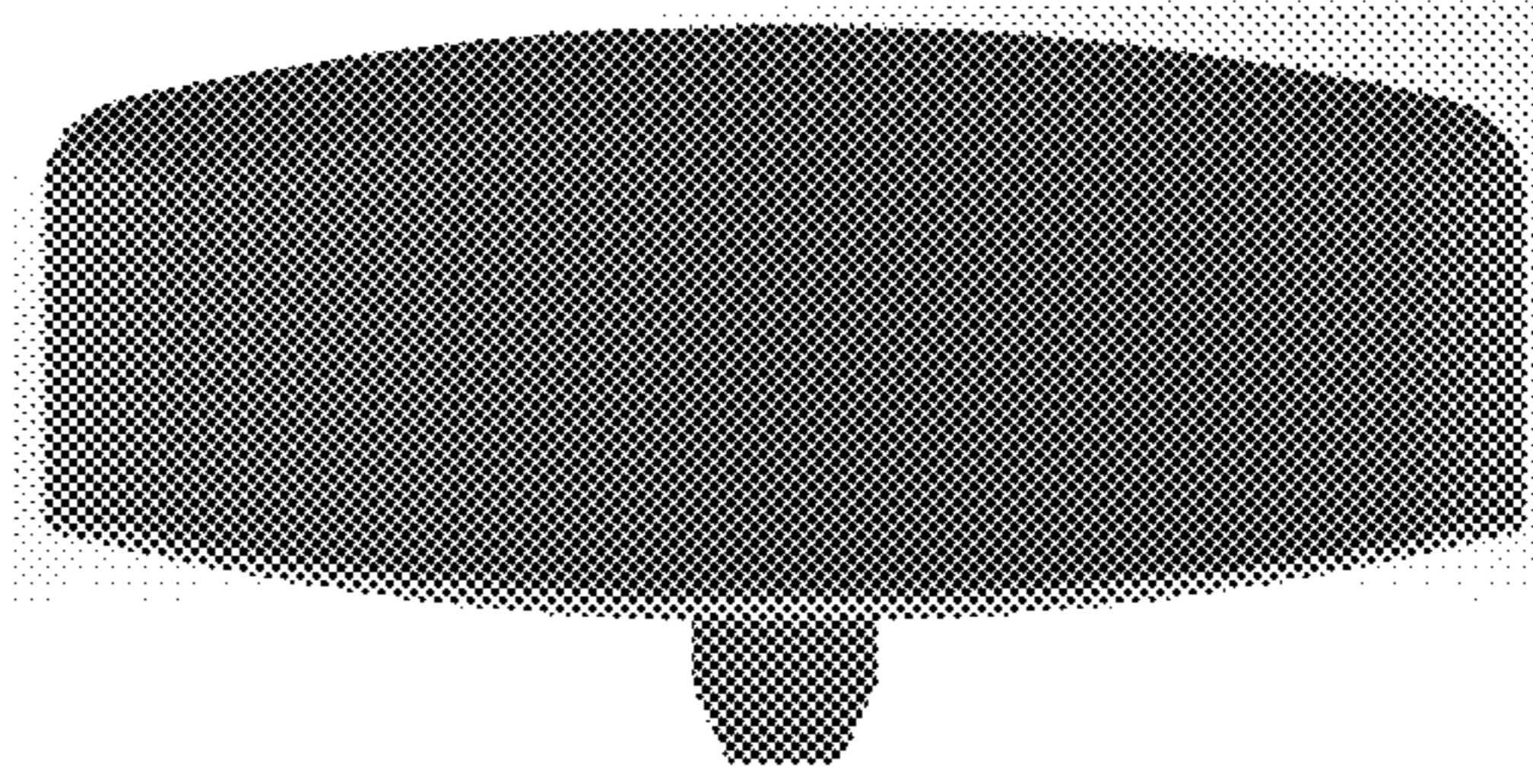


FIG. 4

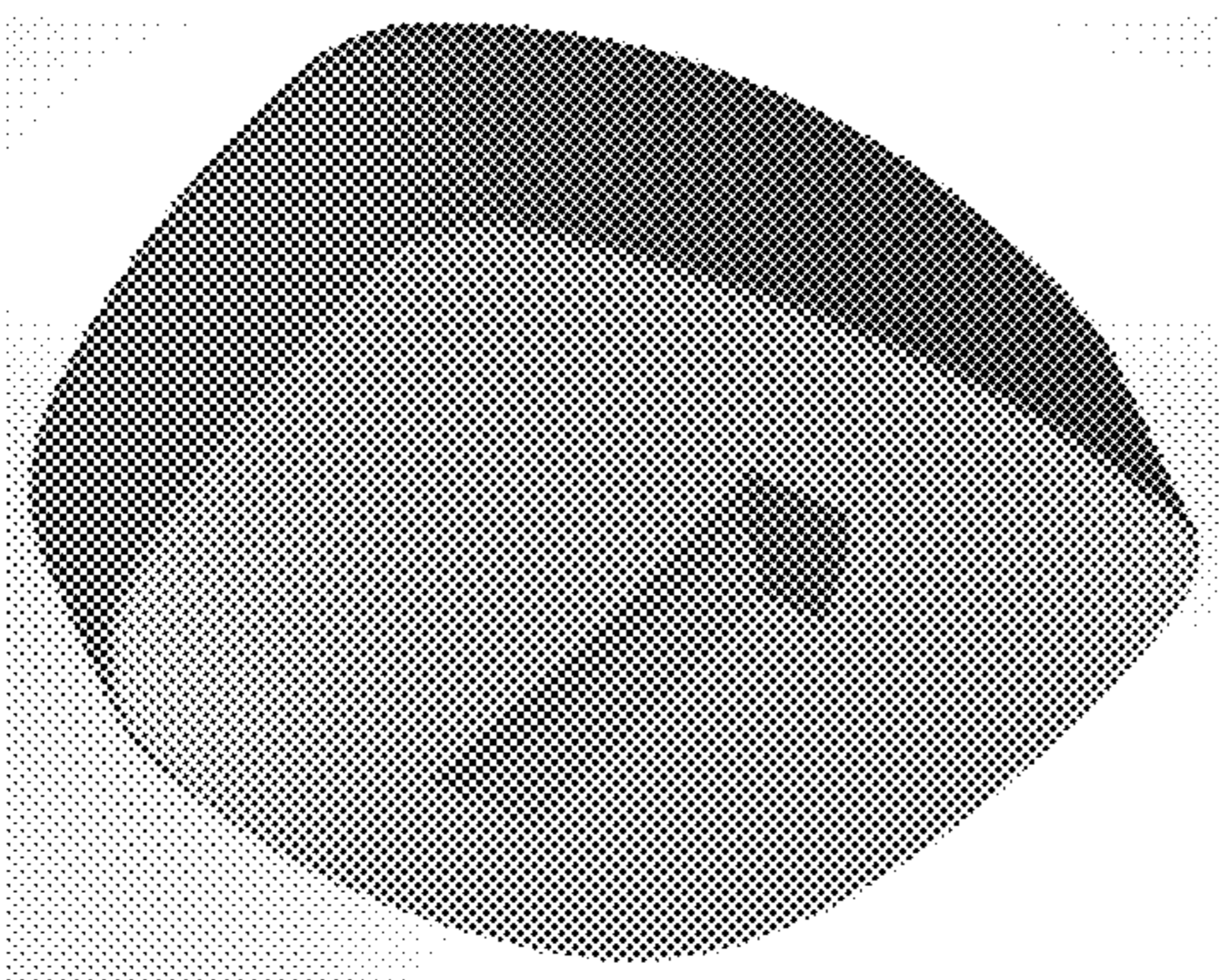


FIG. 5

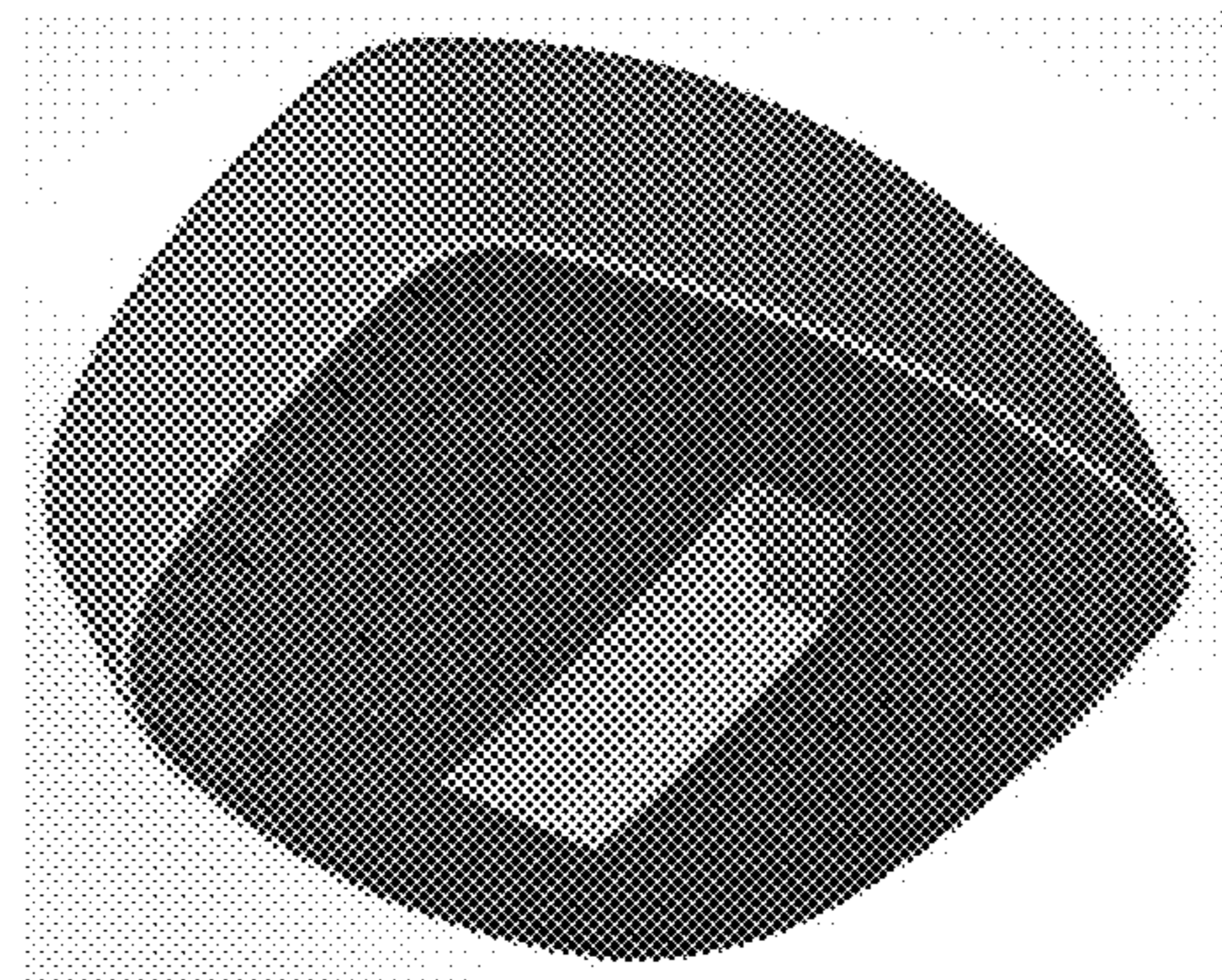


FIG. 6