

US00D764663S

(12) **United States Design Patent**
Broennimann et al.

(10) **Patent No.:** **US D764,663 S**

(45) **Date of Patent:** **** Aug. 23, 2016**

(54) **TROCAR**

(76) Inventors: **Benedict Broennimann**, Penthaz (CH);
Alec Blanchard, Lutry (CH)

(**) Term: **14 Years**

(21) Appl. No.: **29/395,877**

(22) Filed: **Apr. 17, 2012**

(30) **Foreign Application Priority Data**

Oct. 17, 2011 (WO) DM/077 061

(51) **LOC (10) Cl.** **24-02**

(52) **U.S. Cl.**
USPC **D24/146**

(58) **Field of Classification Search**
USPC D24/127, 133, 172, 173, 174, 176;
600/325, 110, 180; 606/79, 80; D8/89,
D8/388, 391, 397, 399; 604/164.03,
604/164.06
CPC A61B 1/05; A61B 5/1459; A61B 1/07;
A61B 17/1671; A61B 17/1617; A61B
17/3417; A61M 25/0662
See application file for complete search history.

(56) **References Cited**

U.S. PATENT DOCUMENTS

D313,849 S * 1/1991 Robinson D24/129
5,181,508 A * 1/1993 Poole, Jr. 128/203.12

D396,383 S * 7/1998 Hanson D7/620
5,846,246 A * 12/1998 Dirks et al. 606/108
D615,200 S * 5/2010 Hahn et al. D24/138
D657,633 S * 4/2012 Butler D7/620
D664,649 S * 7/2012 Becker D24/133
D665,077 S * 8/2012 Becker D24/133
D676,553 S * 2/2013 Becker D24/146
D682,423 S * 5/2013 Becker D24/133
D691,717 S * 10/2013 McLean et al. D24/129
D705,013 S * 5/2014 Audibert D7/620
D720,850 S * 1/2015 Hsia et al. D24/130

* cited by examiner

Primary Examiner — Robert M Spear

Assistant Examiner — Marissa J Cash

(74) *Attorney, Agent, or Firm* — Nixon & Vanderhye P.C.

(57) **CLAIM**

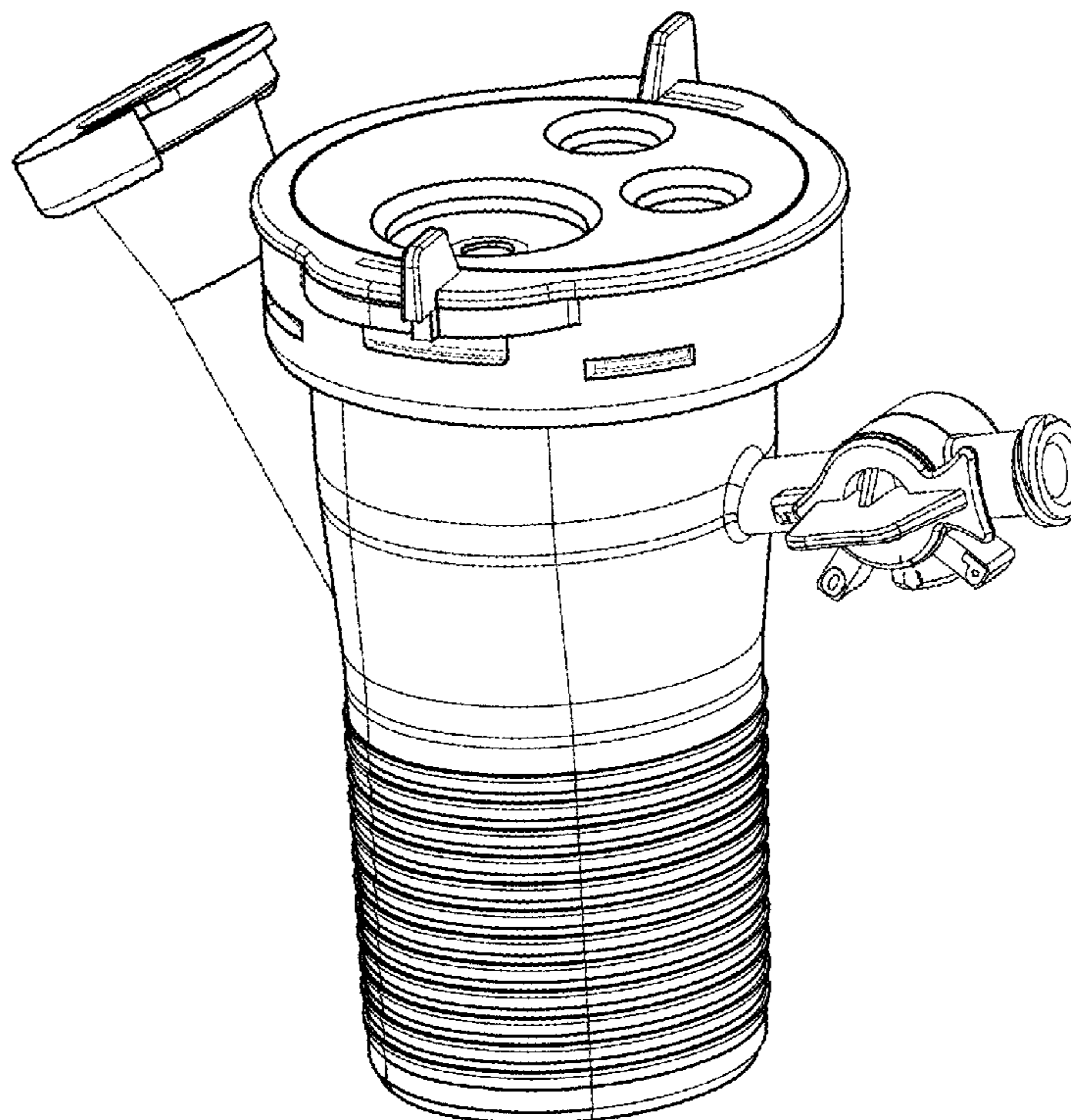
The ornamental design for a trocar, as shown and described.

DESCRIPTION

FIG. 1 is a perspective view of a trocar; and,
FIG. 2 is a top plan view thereof.

The broken lines in the drawings depict unclaimed subject matter and form no part of the claim.

1 Claim, 2 Drawing Sheets



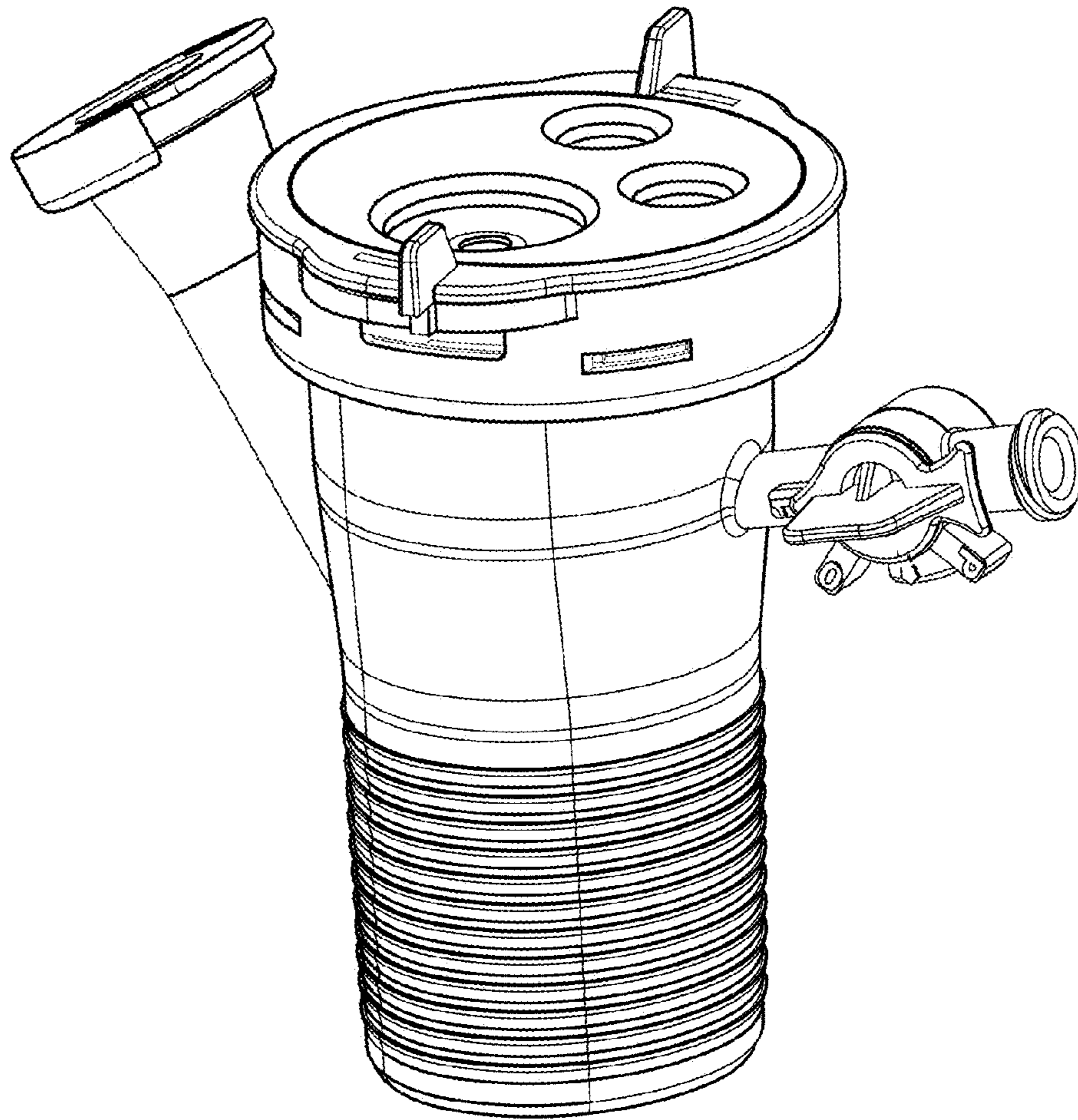


FIG. 1

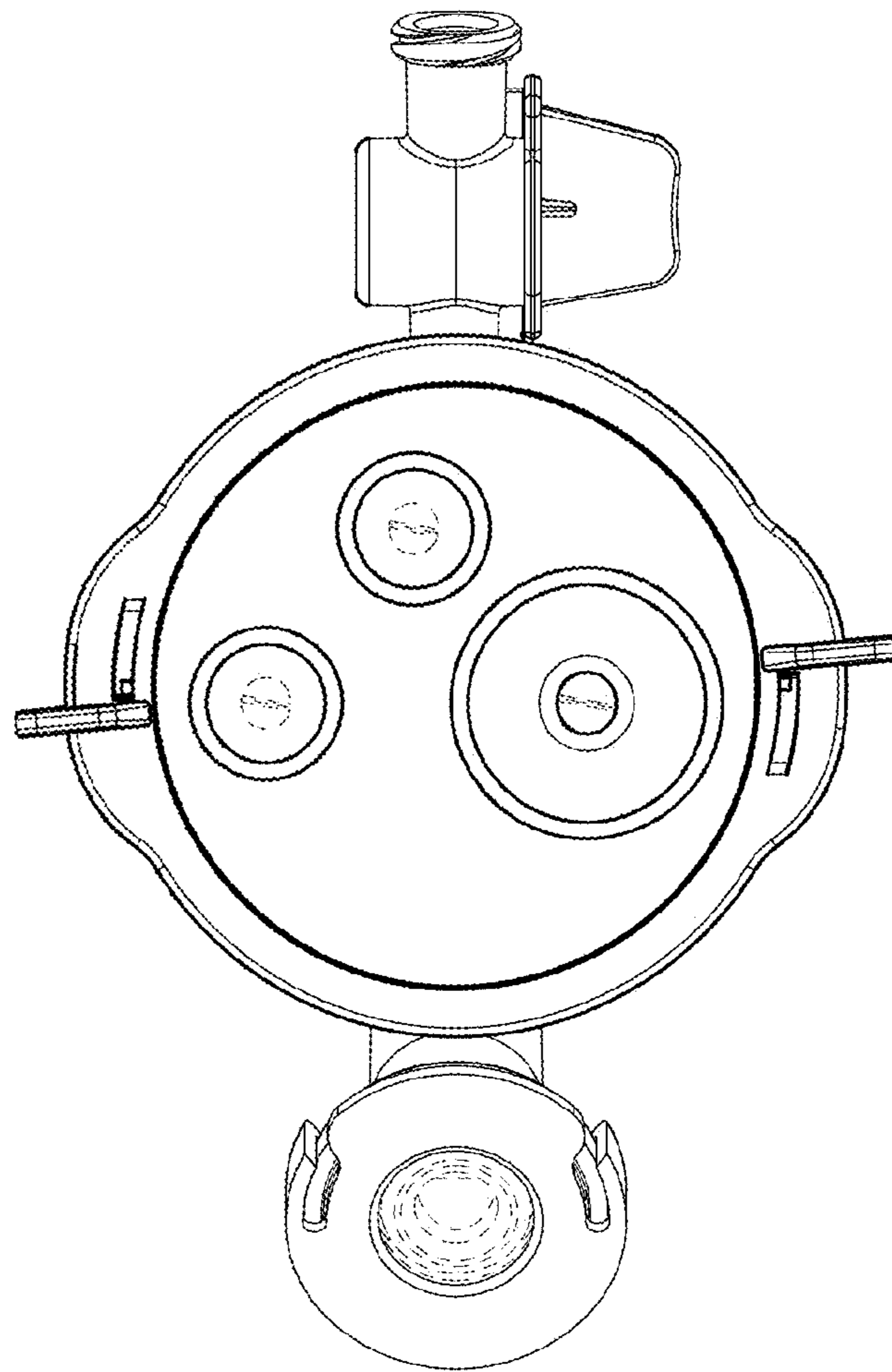


FIG. 2