



US00D764660S

(12) **United States Design Patent**
Babbs et al.

(10) **Patent No.:** **US D764,660 S**

(45) **Date of Patent:** **** Aug. 23, 2016**

(54) **CONNECTOR**

(71) Applicant: **AbbVie Inc.**, North Chicago, IL (US)

(72) Inventors: **Kellan William Babbs**, Grayslake, IL (US); **Nolan Harrington Baird, III**, Johnsburg, IL (US); **Wayne Philip Klingler**, Lindenhurst, IL (US); **Thomas Joseph Huemann**, Round Lake, IL (US); **Thomas Paul Grazier**, Spring Grove, IL (US); **Charles Michael Galitz**, Kenosha, WI (US); **Keith Aaron Grider**, Chicago, IL (US); **Michael Honsing Lau**, Chicago, IL (US); **Antonio Juan Belton**, Richton Park, IL (US)

(73) Assignee: **ABBVIE INC.**, North Chicago, IL (US)

(**) Term: **14 Years**

(21) Appl. No.: **29/496,268**

(22) Filed: **Jul. 10, 2014**

(51) **LOC (10) Cl.** **24-02**

(52) **U.S. Cl.**
USPC **D24/129**

(58) **Field of Classification Search**
USPC D24/127-131, 112-114, 133, 186;
606/181, 185; 604/264, 272, 115, 232,
604/187, 158, 164.08, 192, 263, 163, 181,
604/184, 198, 227; 600/101, 139, 143;
128/200.24, 207.14, 207.15
CPC A61M 39/14
See application file for complete search history.

(56) **References Cited**

U.S. PATENT DOCUMENTS

D371,197 S * 6/1996 Golden D24/158
D372,738 S * 8/1996 Akerlind D1/199
5,609,604 A * 3/1997 Schwemberger .. A61B 17/3417
604/164.01

D435,102 S * 12/2000 Chakoff D24/113
D467,340 S * 12/2002 Mayer D24/133
D492,035 S * 6/2004 Crafoord D24/169
D501,549 S * 2/2005 McAllister D24/104
D540,469 S * 4/2007 Grabinsky D24/112
D557,414 S * 12/2007 Wentling D24/130
D596,289 S * 7/2009 Kawamura D24/130
D612,939 S * 3/2010 Boone, III D24/133
D630,320 S * 1/2011 Lombardi, III D24/129
D632,791 S * 2/2011 Murner D24/129
D683,016 S * 5/2013 Mirza D24/112
D701,304 S * 3/2014 Lair D24/129

(Continued)

FOREIGN PATENT DOCUMENTS

TW D156494 10/2013

OTHER PUBLICATIONS

Search report issued with Notice of Allowance on Dec. 29, 2015 in Taiwan Design Patent Application No. 104300123 (with English Translation).

Primary Examiner — David Muller

Assistant Examiner — Nathan Johnston

(74) *Attorney, Agent, or Firm* — Baker Botts L.L.P.

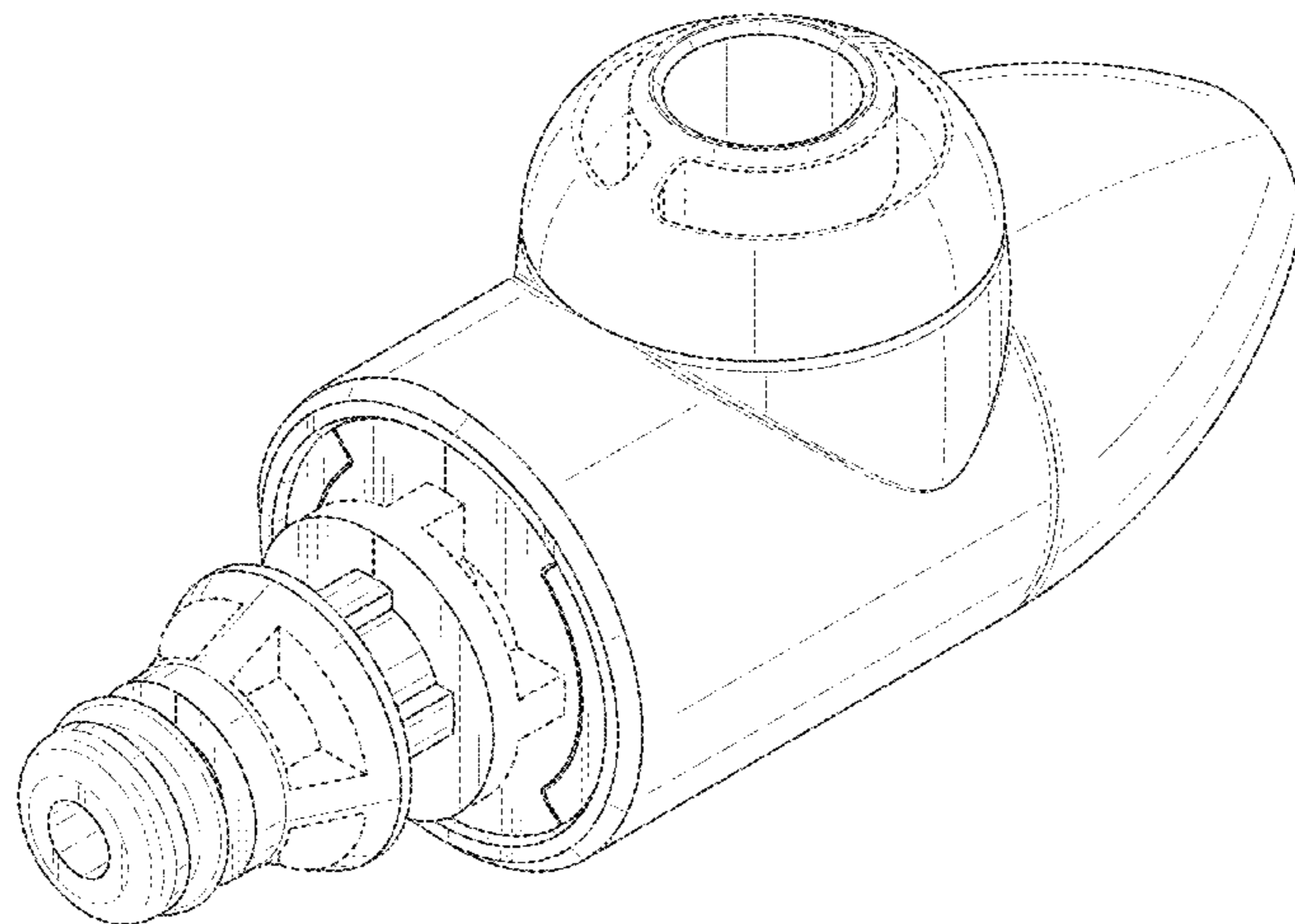
(57) **CLAIM**

The ornamental design for a connector, as shown and described.

DESCRIPTION

FIG. 1 is a perspective view of our new design for a connector. FIG. 2 is a front elevation view thereof. FIG. 3 is a rear elevation view thereof. FIG. 4 is a right side elevation view thereof. FIG. 5 is a left side elevation view thereof. FIG. 6 is a top plan view thereof; and, FIG. 7 is a bottom plan view thereof. The broken lines shown throughout these figures depict environmental subject matter only and form no part of the claimed design.

1 Claim, 6 Drawing Sheets



(56)

References Cited

U.S. PATENT DOCUMENTS

D719,650 S * 12/2014 Arinobe D24/130
8,911,424 B2 * 12/2014 Weadock A61M 25/0017
604/263
D722,155 S * 2/2015 Wiegel D24/112
D737,952 S * 9/2015 Matsumura D24/108
D740,411 S * 10/2015 Lee-Sepsick D24/129
D741,477 S * 10/2015 Rogers D24/129

2004/0267210 A1* 12/2004 Popovsky A61M 5/3257
604/263
2008/0058598 A1* 3/2008 Ries G02B 6/3817
600/132
2008/0215011 A1* 9/2008 Beechie A61M 3/0262
604/187
2013/0303844 A1* 11/2013 Grudo A61B 1/00068
600/101
2015/0209515 A1* 7/2015 Houde A61M 5/007
600/432

* cited by examiner

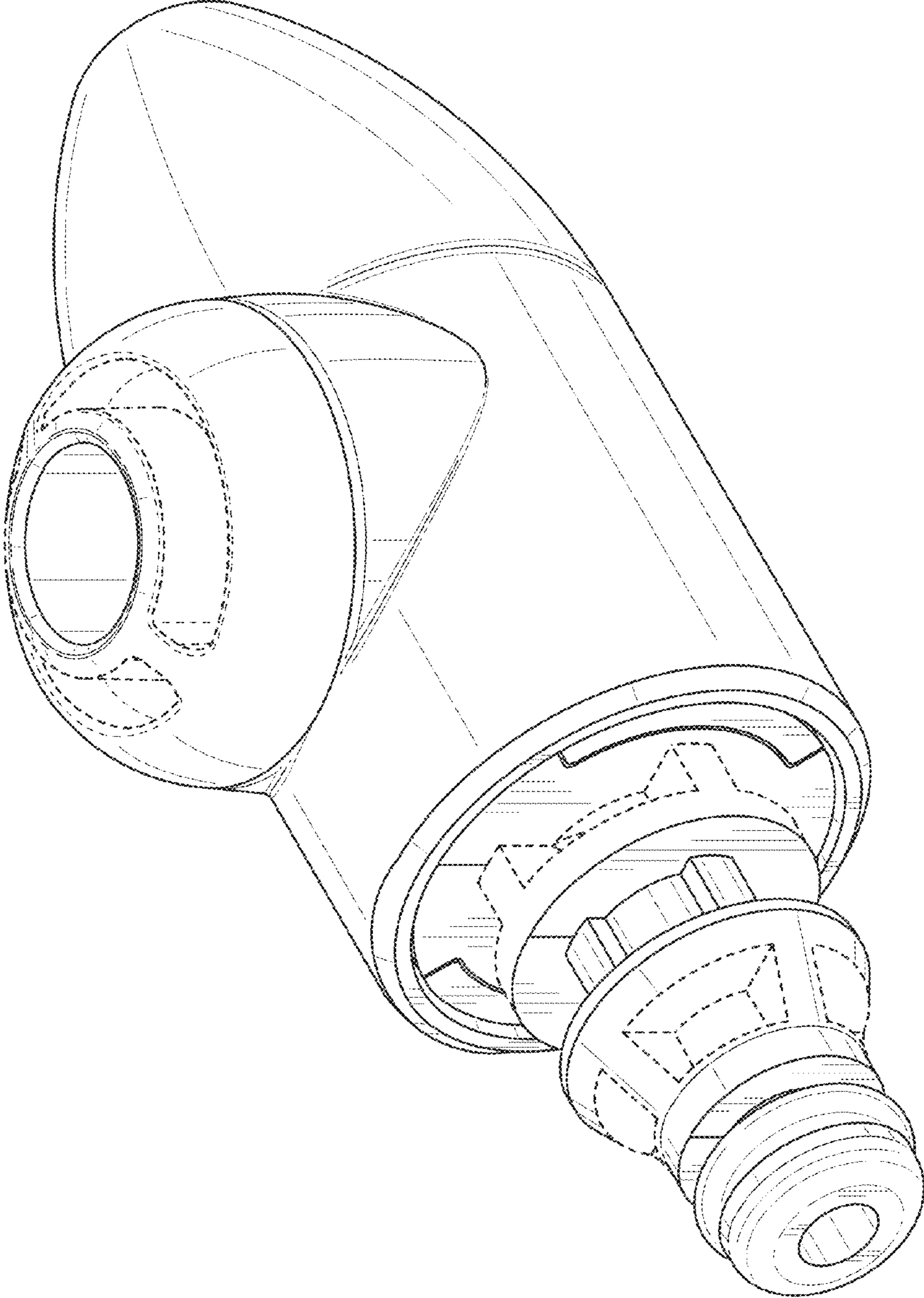


FIG. 1

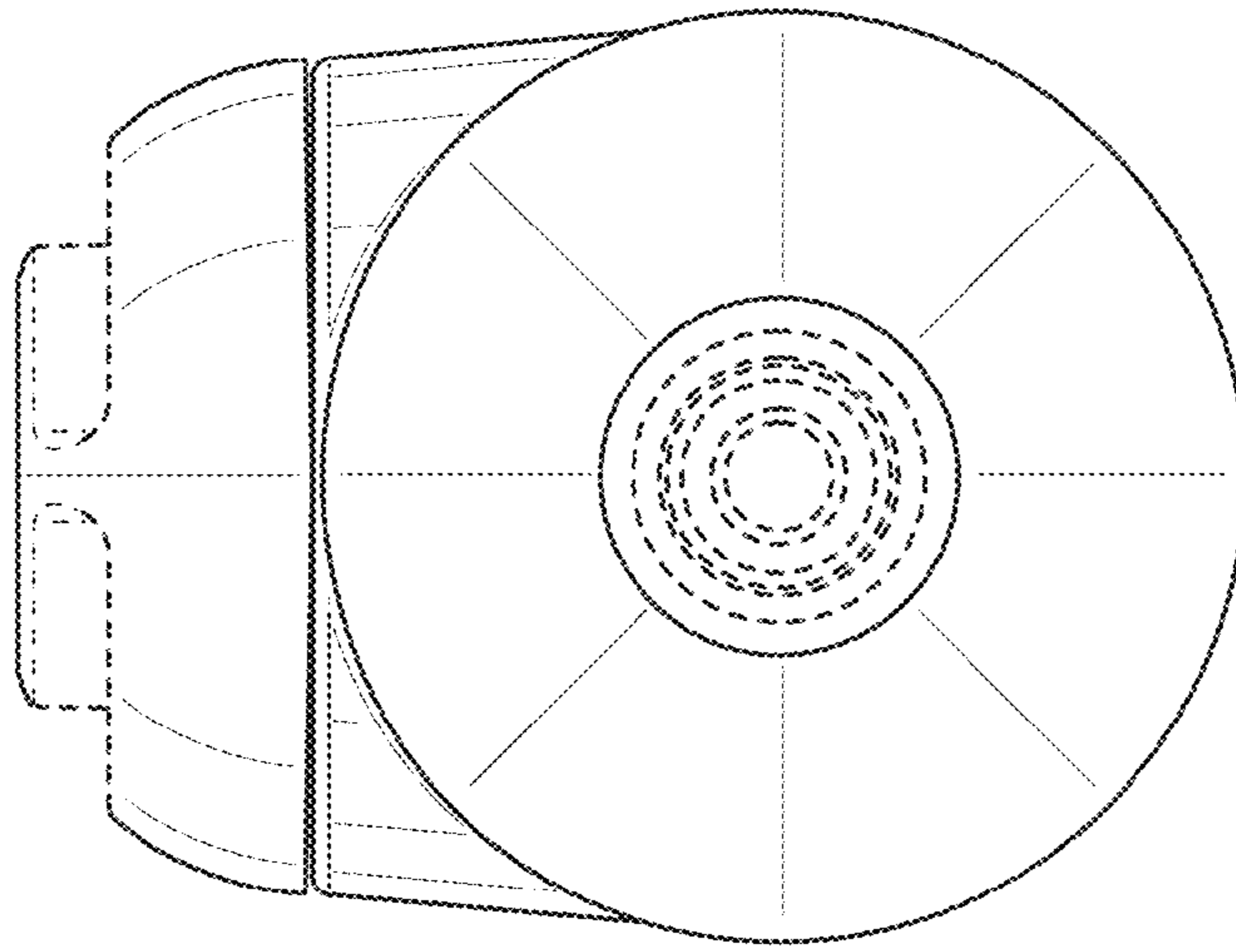


FIG. 2

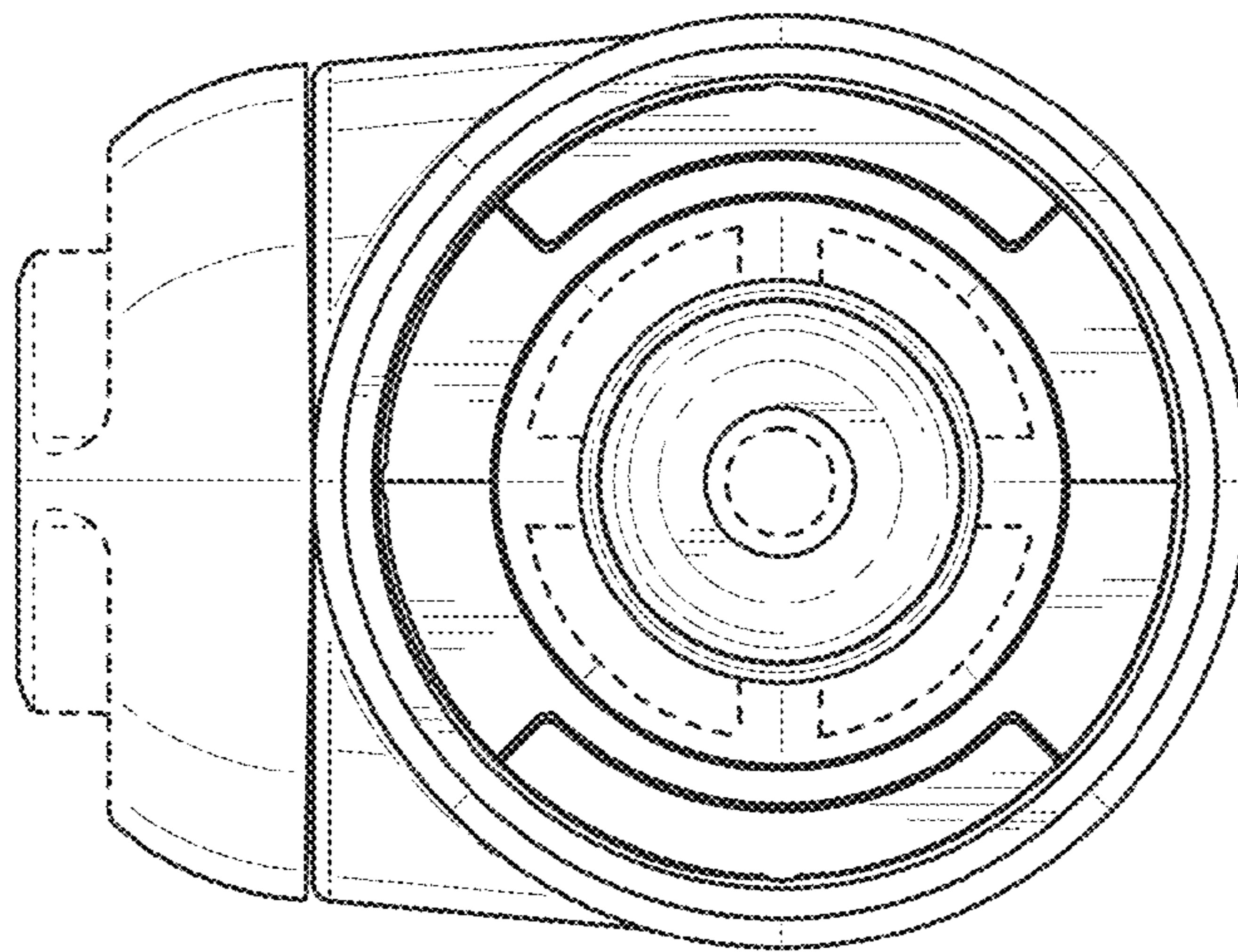


FIG. 3

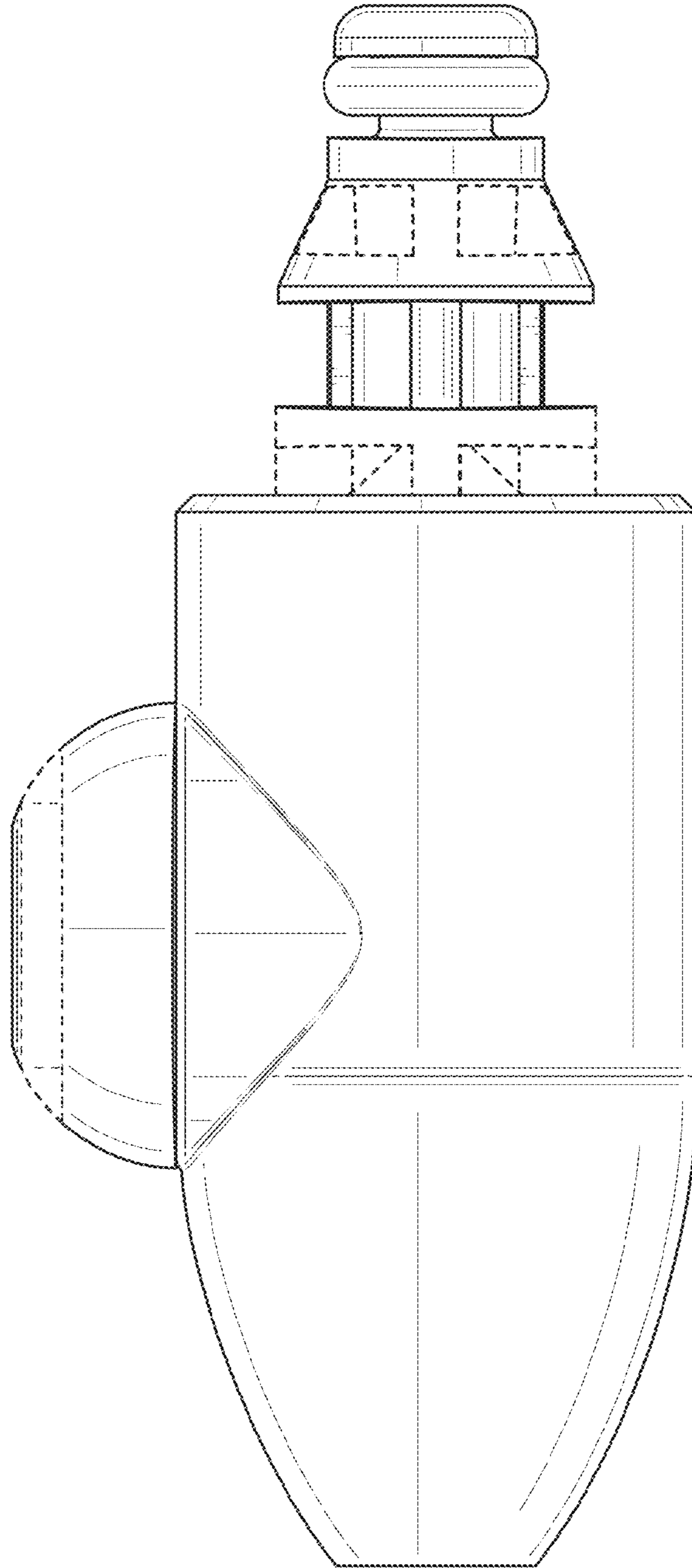


FIG. 4

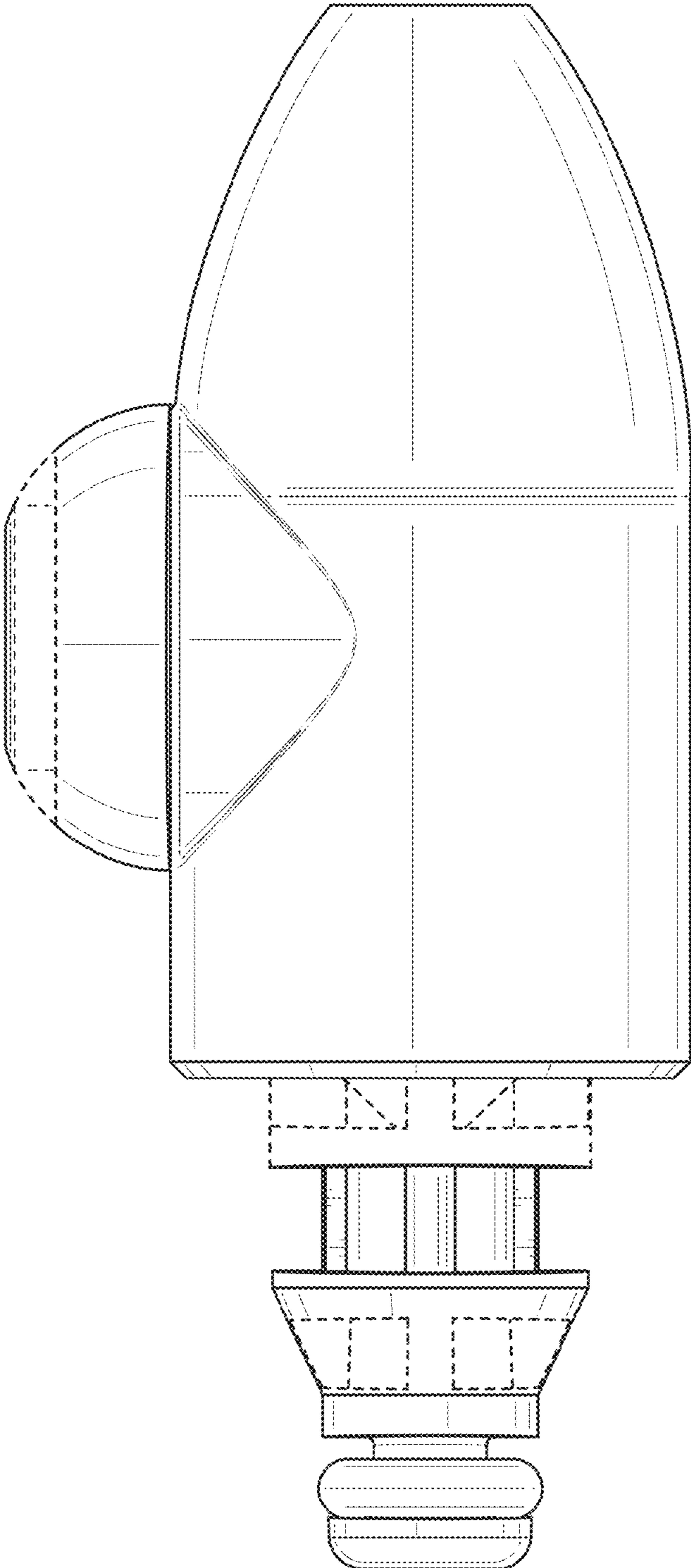


FIG. 5

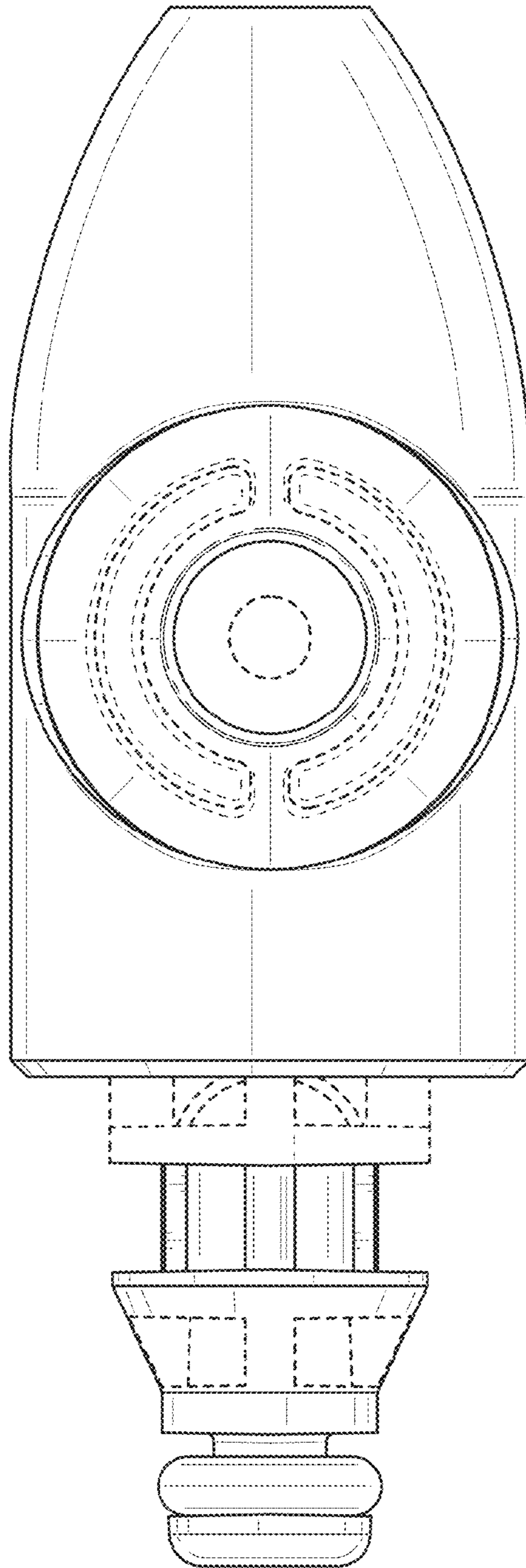


FIG. 6

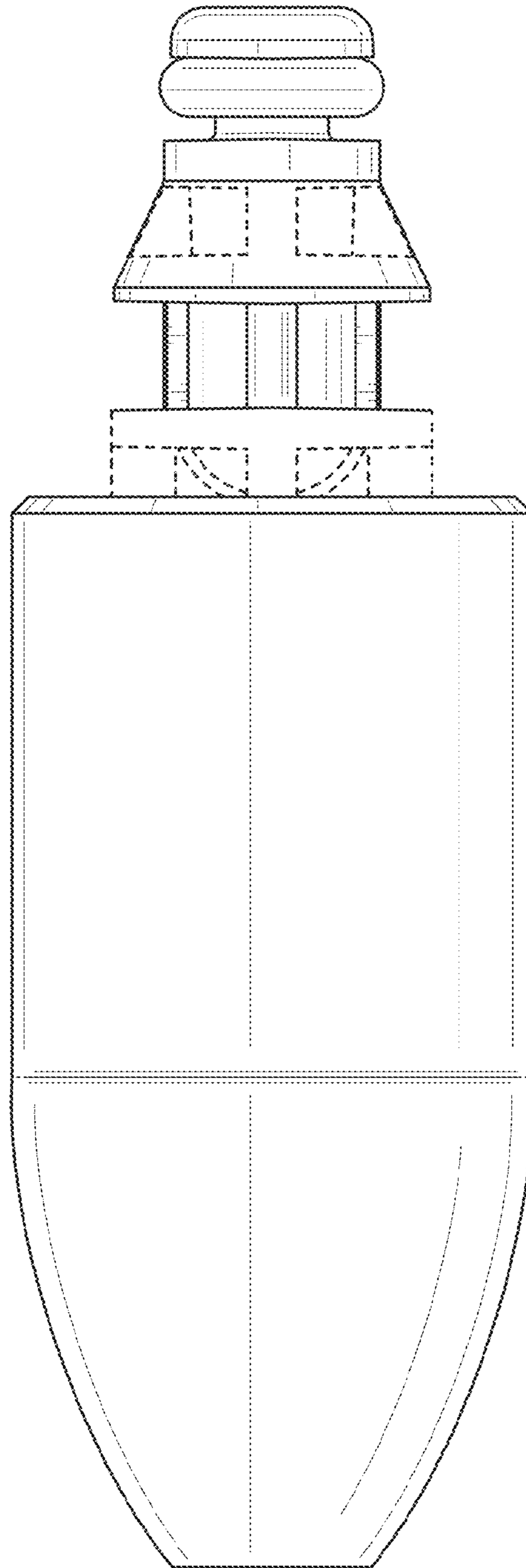


FIG. 7