

US00D764659S

(12) **United States Design Patent** (10) **Patent No.:** **US D764,659 S**
Blank et al. (45) **Date of Patent:** **** Aug. 23, 2016**

(54) **OUTER COVER FOR AN ABSORBENT ARTICLE**

(71) Applicant: **TARGET BRANDS, INC.**,
Minneapolis, MN (US)

(72) Inventors: **Robin M. Blank**, Hopkins, MN (US);
Pontus Wormuth, Golden Valley, MN (US)

(73) Assignee: **Target Brands, Inc.**, Minneapolis, MN (US)

(**) Term: **14 Years**

(21) Appl. No.: **29/462,612**

(22) Filed: **Aug. 6, 2013**

(51) **LOC (10) Cl.** **24-04**

(52) **U.S. Cl.**
USPC **D24/126**

(58) **Field of Classification Search**
USPC D24/124-126; D5/60, 21, 25, 26, 35,
D5/39, 29, 47, 59, 61
CPC A61F 13/47218; A61F 13/4704;
A61F 13/476; A61F 13/15203; A61F
13/4756; A61F 13/5616; A61F 13/4758;
A61F 13/15; A61F 2013/4706; B32B 3/266;
B41M 3/12; B41M 3/18; B44F 1/00; B44F
3/00; B44F 5/00; B44F 9/10; B44F 11/04;
B44F 11/06; D03D 11/06; D03D 1/0047;
D03D 25/003

See application file for complete search history.

(56) **References Cited**

U.S. PATENT DOCUMENTS

D68,295 S	9/1925	Briggs	
4,960,477 A *	10/1990	Mesek	156/209
D320,854 S *	10/1991	Jonas	D24/126
D325,256 S	4/1992	Landsman et al.	
D347,279 S *	5/1994	Perkins	D24/126
D354,809 S *	1/1995	Eskey	D24/126
D406,436 S	3/1999	Roszell	

D412,982 S *	8/1999	Wyatt	D24/126
D414,262 S	9/1999	Ashton et al.	
D477,872 S	7/2003	Sosalla	
D478,169 S	8/2003	Sosalla	
D524,440 S *	7/2006	Enos-Lopez	D24/126
D525,706 S	7/2006	Pargass	
7,520,873 B2	4/2009	Sosalla et al.	
7,682,350 B2	3/2010	Langdon et al.	
D625,000 S *	10/2010	Stewart	D24/126

(Continued)

OTHER PUBLICATIONS

Gruber, Rebecca M., "Hurry Down the Chimney! Huggies Introduces Santa-Inspired Diapers", printed from www.lilsugar.com/Santa-Clause-Diapers-Babies-20088711 posted Oct. 21, 2011 (6 pages).

(Continued)

Primary Examiner — T. Chase Nelson

Assistant Examiner — Michelle E Wilson

(74) *Attorney, Agent, or Firm* — JoAnn M. Seaton; Griffiths & Seaton PLLC

(57) **CLAIM**

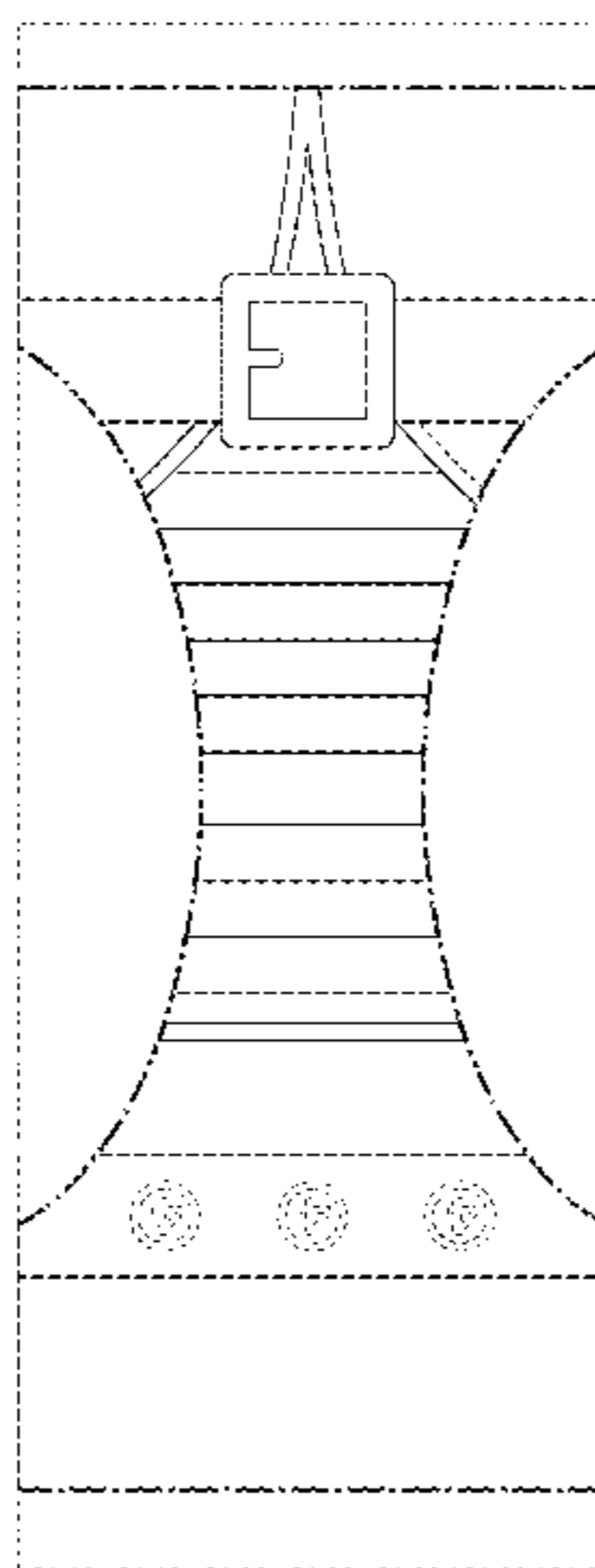
The ornamental design for an outer cover for an absorbent article, as shown and described.

DESCRIPTION

FIG. 1 is a front, perspective view of an outer cover for an absorbent article showing our new design; and FIG. 2 is a front view thereof; and, FIG. 3 is a front view of the outer cover for an absorbent article of FIG. 2 shown with additional environmental subject matter.

The features shown in broken lines are portions of the outer cover for an absorbent article or environmental subject matter to the outer cover for an absorbent article forming no part of the claimed design. The features shown in long dash-short dash bolded broken lines indicate the bounds of the claimed design and otherwise form no part of the claimed design.

1 Claim, 3 Drawing Sheets



(56)

References Cited

U.S. PATENT DOCUMENTS

D631,539 S * 1/2011 Stonebraker D24/126
D633,198 S * 2/2011 Boyd D24/126
7,896,858 B2 3/2011 Trennepohl et al.
D637,286 S * 5/2011 Boyd D24/126
D638,535 S * 5/2011 Stonebraker D24/126
D639,423 S * 6/2011 Boyd D24/126
D639,936 S 6/2011 Faulks et al.
D647,200 S * 10/2011 Slaughter D24/126
D657,456 S 4/2012 Gehrke et al.
D675,731 S * 2/2013 Peltier-Robinson D24/126

OTHER PUBLICATIONS

“Martin Mommy Funny Firday #32”, printed from <http://www.martinmommy.com/?p=3515>, posted as early as Dec. 2, 2011 (10 pages).
“Twinkle Tush Cloth Diapering”, printed from http://twinkietush.blogspot.com/2012_11_01_archive.html, posted Nov. 28, 2012 (8 pages).
Office Action from Canadian Patent Application No. 153,438, mailed Mar. 3, 2015 (2 pages).
Office Action from Canadian Patent Application No. 153,438, mailed Apr. 12, 2014 (1 page).

* cited by examiner

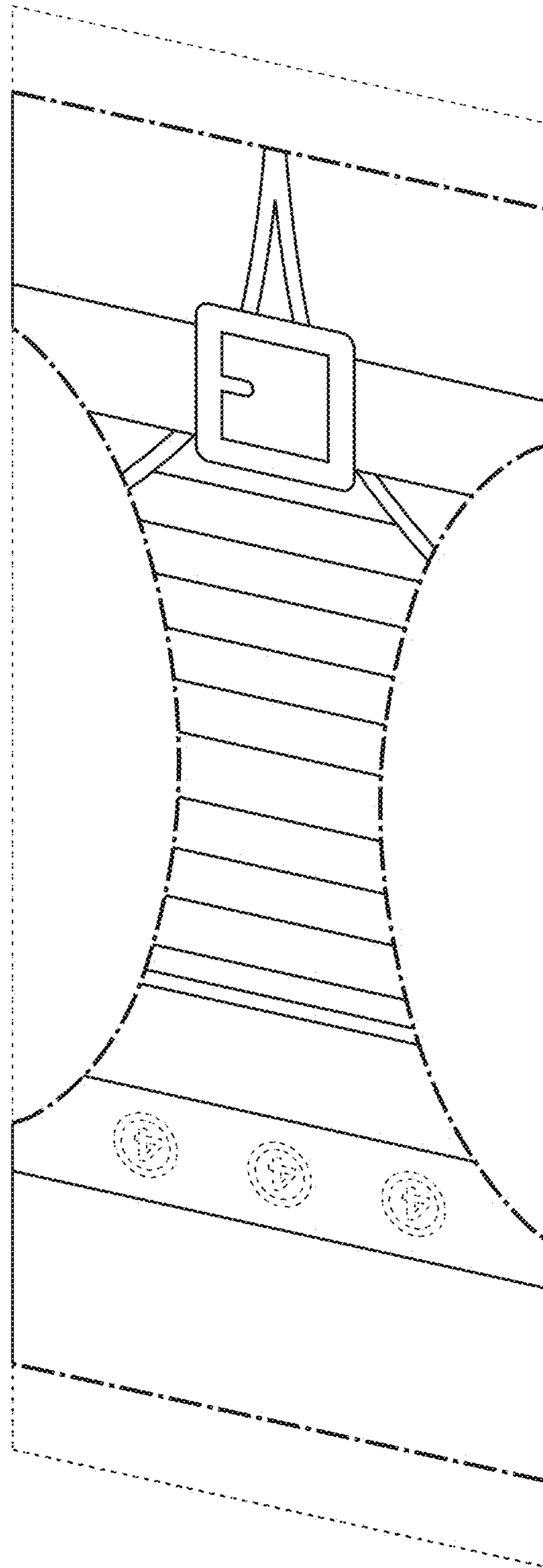


FIG. 1

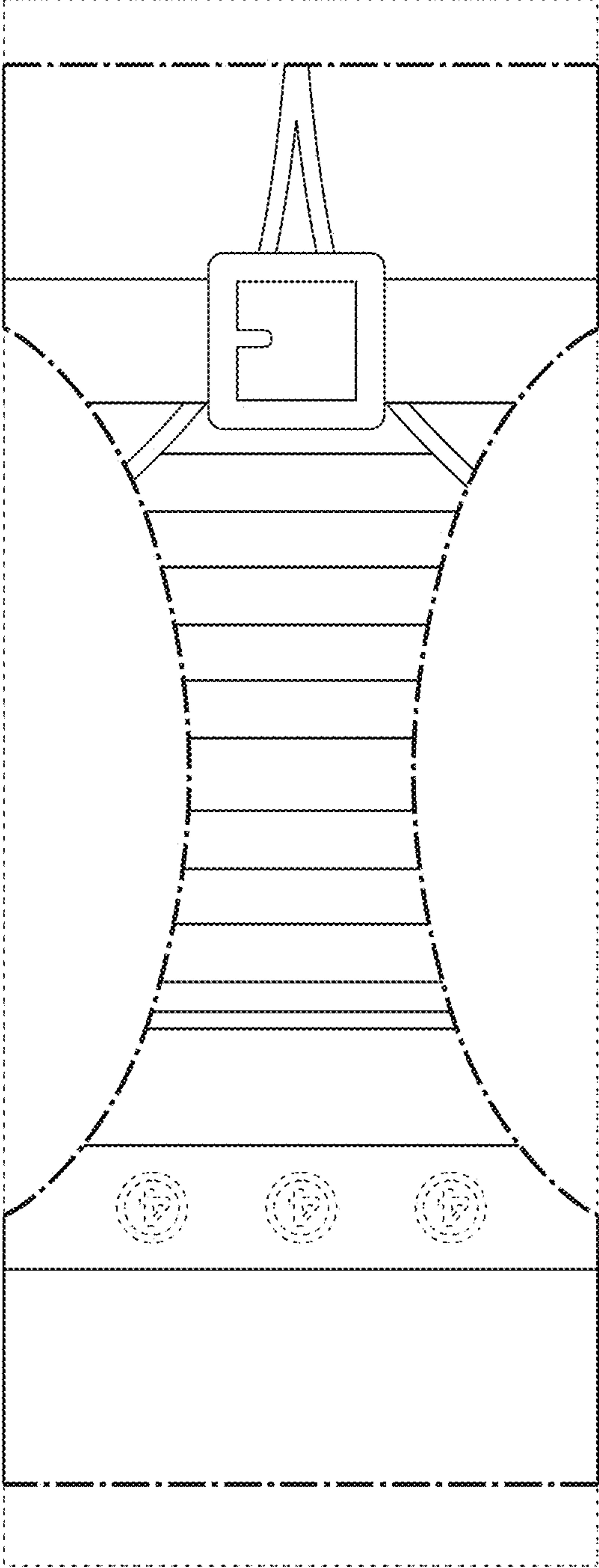


FIG. 2

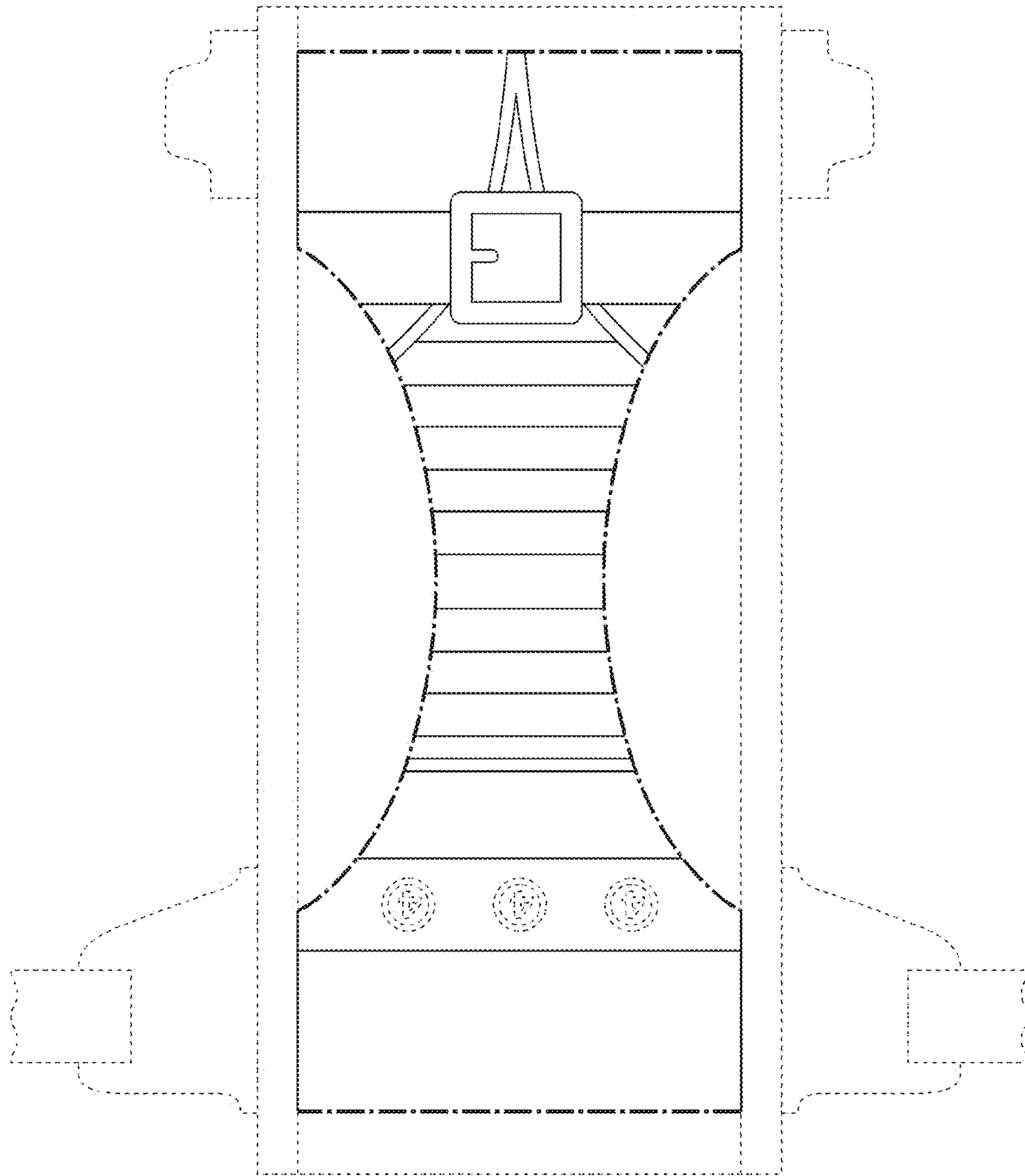


FIG. 3