



US00D764657S

(12) **United States Design Patent** (10) **Patent No.:** **US D764,657 S**  
**Bokelman et al.** (45) **Date of Patent:** **\*\* Aug. 23, 2016**

(54) **AUTOMATIC INJECTOR**

FOREIGN PATENT DOCUMENTS

(71) Applicant: **Unitract Syringe Pty Ltd**, Sydney (AU)

EP 2331171 6/2011  
WO 94/21316 A1 9/1994

(Continued)

(72) Inventors: **Kevin Bokelman**, San Diego, CA (US); **George M. Wohlhieter**, Escondido, CA (US); **Thomas F. McGee**, San Diego, CA (US); **Kun-Chi Wu**, Princeton, NJ (US)

OTHER PUBLICATIONS

Unilife, Lisa Auto-Injector, Aug. 4, 2013, [http://www.unilife.com/product-platforms/auto-injectors/lisa-auto-injector.\\*](http://www.unilife.com/product-platforms/auto-injectors/lisa-auto-injector.*)

(Continued)

(73) Assignee: **Unitract Syringe PTY LTD**, Sydney (AU)

*Primary Examiner* — David Muller

*Assistant Examiner* — Nathan Johnston

(\*\*) Term: **14 Years**

(74) *Attorney, Agent, or Firm* — Leydig, Voit & Mayer, Ltd.

(21) Appl. No.: **29/459,890**

(57) **CLAIM**

(22) Filed: **Jul. 3, 2013**

An ornamental design for an automatic injector, as shown and described.

(51) **LOC (10) Cl.** ..... **24-02**

(52) **U.S. Cl.**  
USPC ..... **D24/113**

(58) **Field of Classification Search**  
USPC ..... D24/112–114, 133, 186, 104, 127–131;  
606/181, 185; 604/264, 272, 115, 232,  
604/187, 158, 164.08, 192, 263, 163, 181,  
604/184, 198, 227  
CPC ..... A61M 5/2033; A61M 2005/206  
See application file for complete search history.

**DESCRIPTION**

FIG. 1 is an isometric view showing the top left distal end of our new design for an automatic injector.  
FIG. 2 is an isometric view showing the top right side of the proximal end thereof.  
FIG. 3 is an isometric view showing the bottom, right side of the proximal end thereof.  
FIG. 4 is a distal end elevation view thereof.  
FIG. 5 is a proximal end elevation view thereof.  
FIG. 6 is a left side elevation view thereof.  
FIG. 7 is a right side elevation view thereof.  
FIG. 8 is a top plan view thereof; and,  
FIG. 9 is a bottom view thereof.

The dash dot lines immediately adjacent to the shaded areas in FIGS. 1 and 4 represent the boundaries of the claimed design. The dashed lines in the figures illustrate the portions of the design that form no part of the claimed design. None of the broken lines form any part of the claimed design.

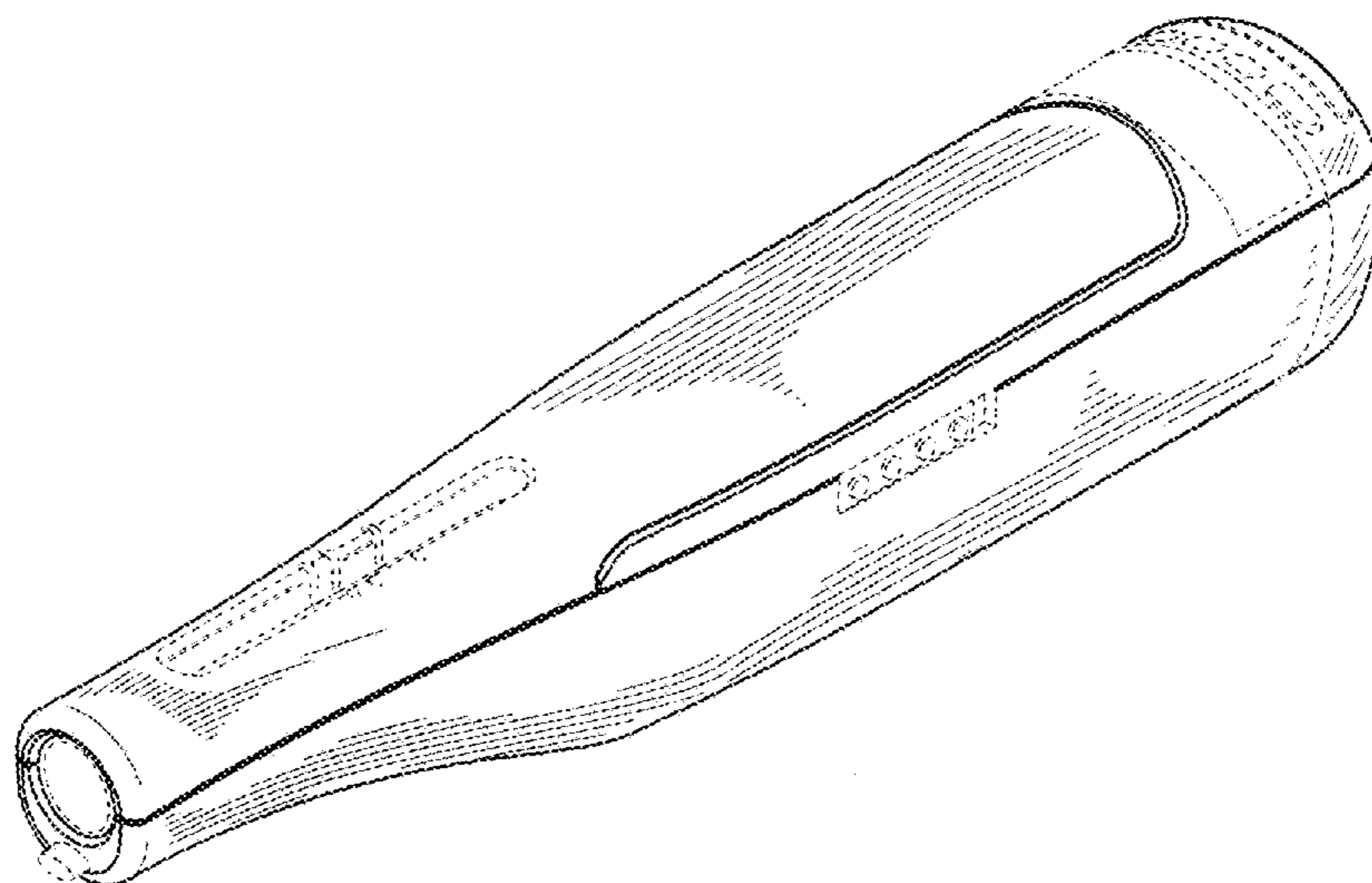
(56) **References Cited**

U.S. PATENT DOCUMENTS

D252,823 S \* 9/1979 Withers et al. .... D24/222  
D262,319 S \* 12/1981 Kenney ..... D24/222  
5,425,715 A 6/1995 Dalling et al.  
D368,961 S \* 4/1996 Himbert et al. .... D24/114  
6,083,199 A 7/2000 Thorley et al.  
6,090,070 A 7/2000 Hager et al.  
D450,843 S \* 11/2001 McGuckin et al. .... D24/146  
D453,569 S \* 2/2002 Himbert ..... D24/114

(Continued)

**1 Claim, 4 Drawing Sheets**



(56)

References Cited

U.S. PATENT DOCUMENTS

6,387,078	B1	5/2002	Gillespie, III	
D476,734	S *	7/2003	Pavlu et al. ....	D24/114
6,585,698	B1 *	7/2003	Packman et al. ....	604/207
6,607,508	B2	8/2003	Knauer	
6,830,551	B1 *	12/2004	Uchigaki et al. ....	600/584
7,381,201	B2	6/2008	Gilbert et al.	
7,500,967	B2	3/2009	Thorley et al.	
7,736,353	B2	6/2010	Reynolds	
7,935,087	B2	5/2011	Judd et al.	
8,002,745	B2	8/2011	Kaal et al.	
8,021,333	B2	9/2011	Kaal et al.	
8,052,654	B2	11/2011	Kaal et al.	
8,114,050	B2	2/2012	Kaal et al.	
D660,420	S *	5/2012	Shaw et al. ....	D24/130
8,167,937	B2	5/2012	Cerruti et al.	
D677,785	S *	3/2013	Stones et al. ....	D24/113
2001/0037087	A1	11/2001	Knauer	
2006/1841637		8/2006	Reynolds	
2010/0042129	A1 *	2/2010	Curry .....	606/181
2011/0015572	A1	1/2011	Thorley et al.	
2011/0092954	A1	4/2011	Jennings	
2014/0012229	A1 *	1/2014	Bokelman et al. ....	604/506
2014/0018775	A1 *	1/2014	Swords et al. ....	604/514

FOREIGN PATENT DOCUMENTS

WO		95/04562	A1	2/1995
WO		2011/075760	A1	6/2001
WO		2004/000395	A1	12/2003

WO		2004/047890	A1	6/2004
WO		2006/108243	A2	10/2006
WO		2006/119570	A1	11/2006
WO		2007/002052	A2	1/2007
WO		2007/036676	A1	4/2007
WO		2009/003234	A1	1/2009
WO		2009/007229	A1	1/2009
WO		2009/063030	A1	5/2009
WO		2009/153540	A1	12/2009
WO		2010/049239	A1	5/2010
WO		2011/057335	A1	5/2011
WO		2011/109205	A1	9/2011
WO		2011/137488	A1	11/2011
WO		2012/098371	A1	7/2012
WO		2009/153543	A1	4/2013

OTHER PUBLICATIONS

European Patent Office, International Search Report in International Application No. PCT/US2012/052129, 5 pages (Dec. 11, 2012).

European Patent Office, International Search Report in International Application No. PCT/US2013/024819, 5 pages, Apr. 16, 2013.

European Patent Office, Written Opinion of the International Searching Authority in International Application No. PCT/US2012/052129, 6 pages (Dec. 11, 2012).

European Patent Office, Written Opinion of the International Searching Authority in Application No. PCT/US2013/024819, 8 pages, Apr. 16, 2013.

\* cited by examiner

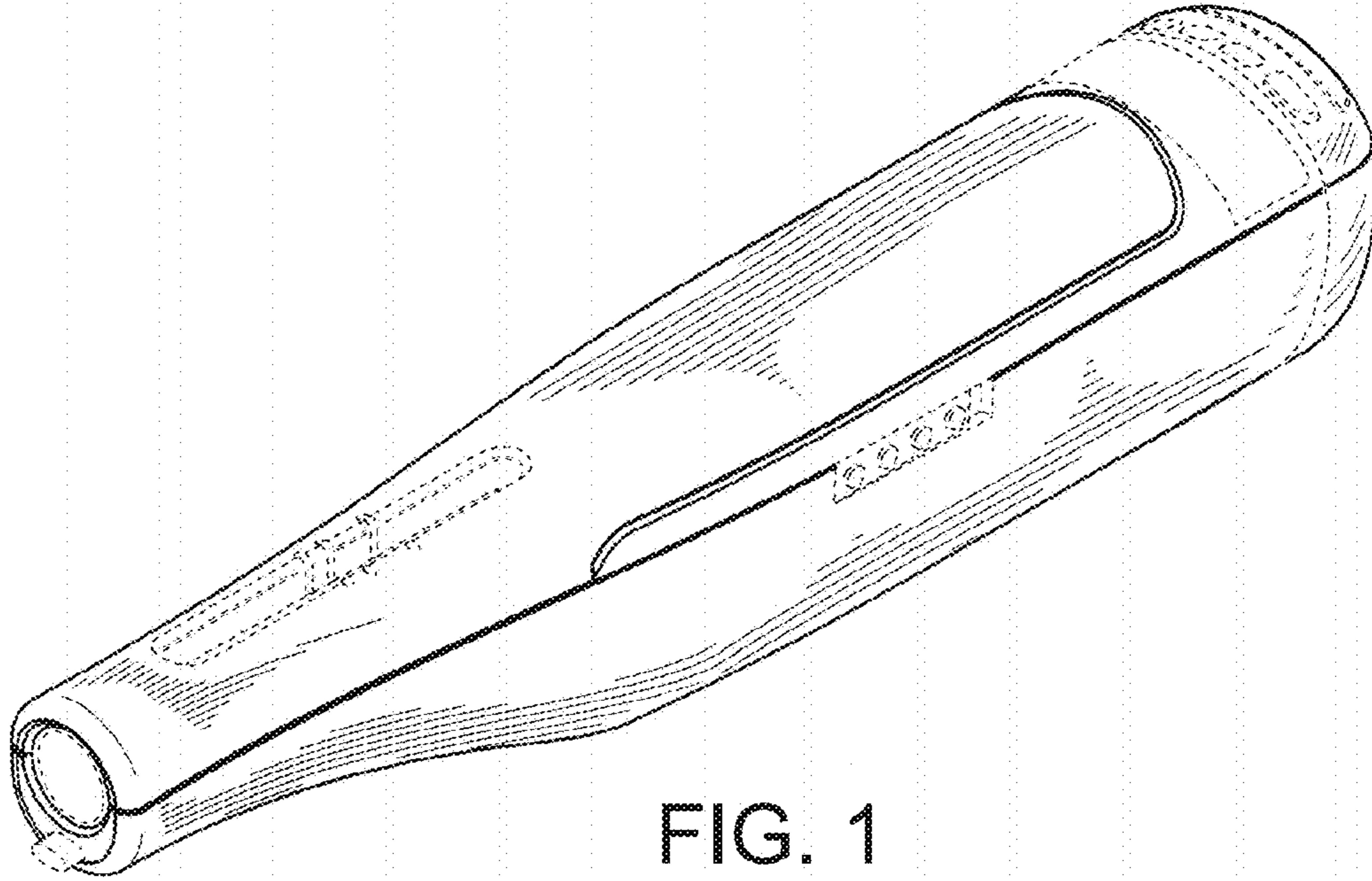


FIG. 1

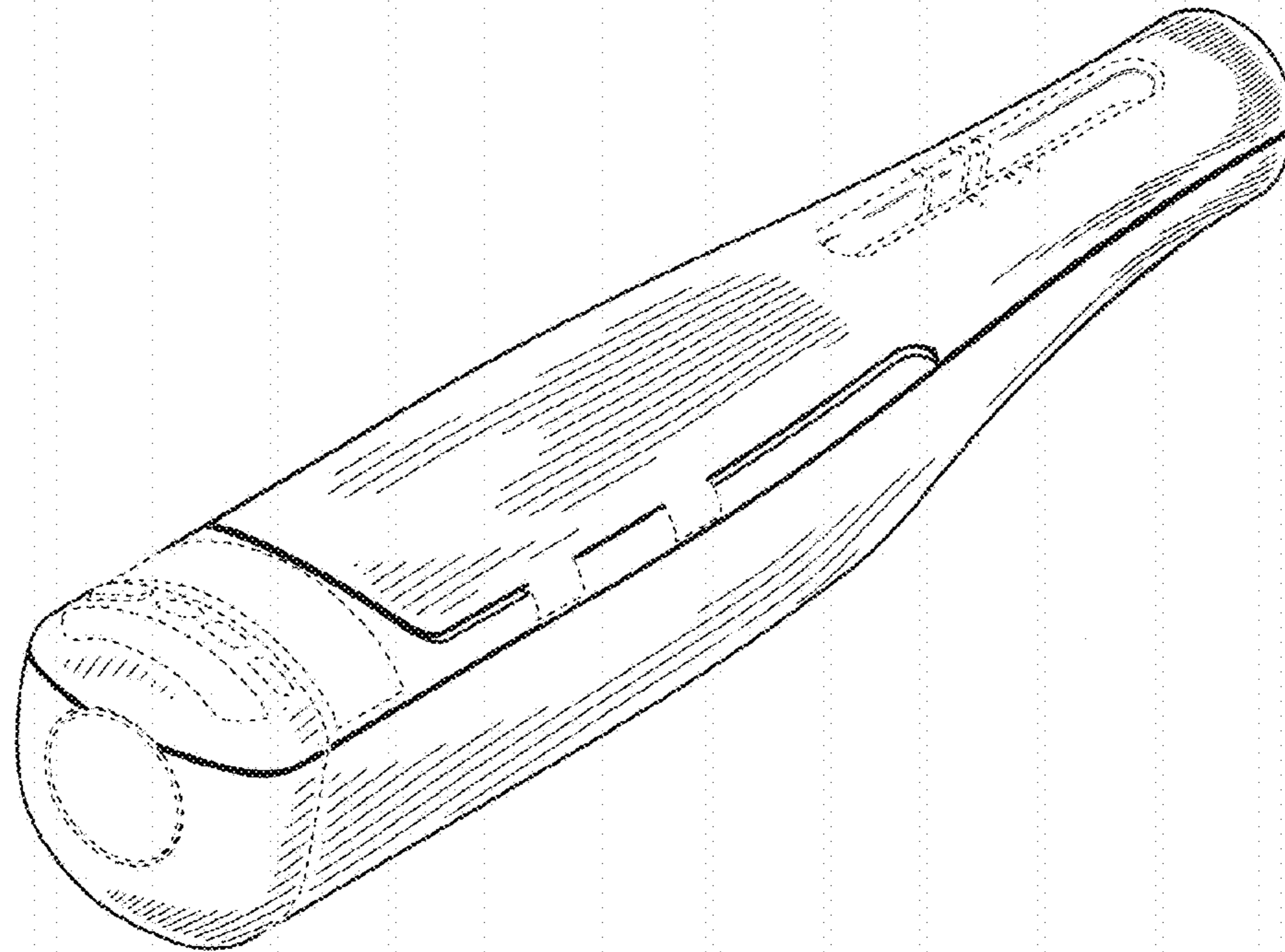


FIG. 2

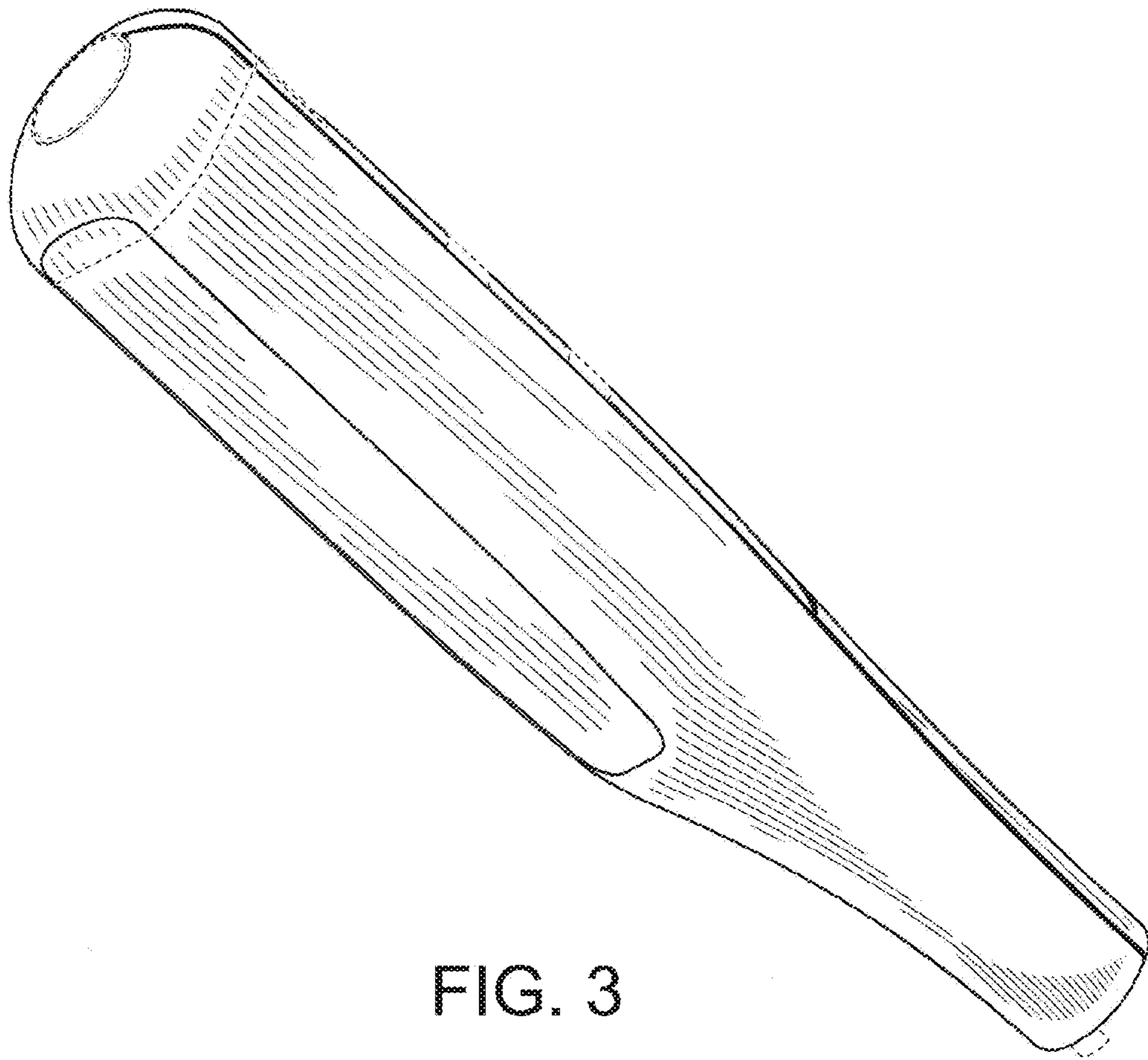


FIG. 3

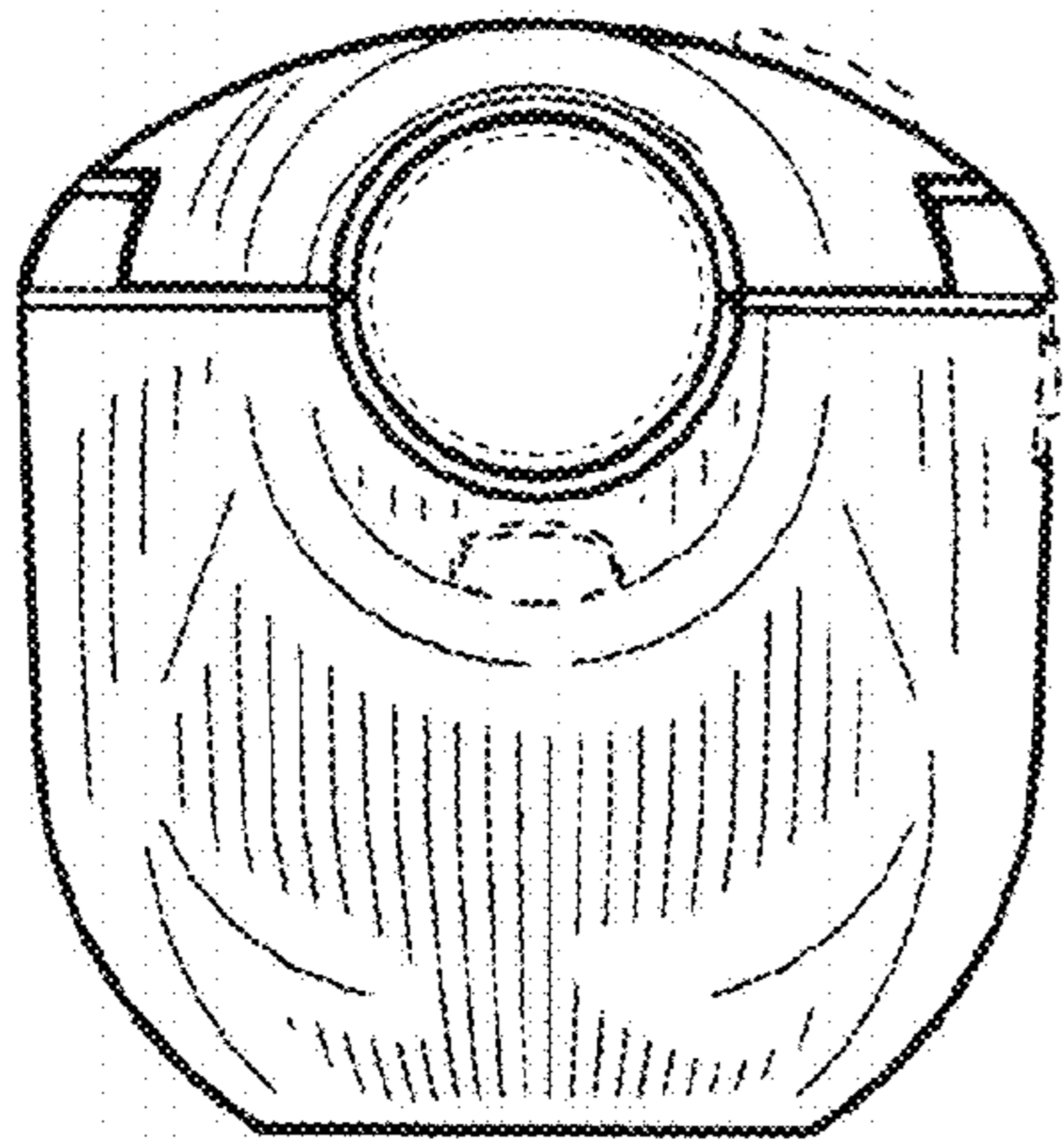


FIG. 4

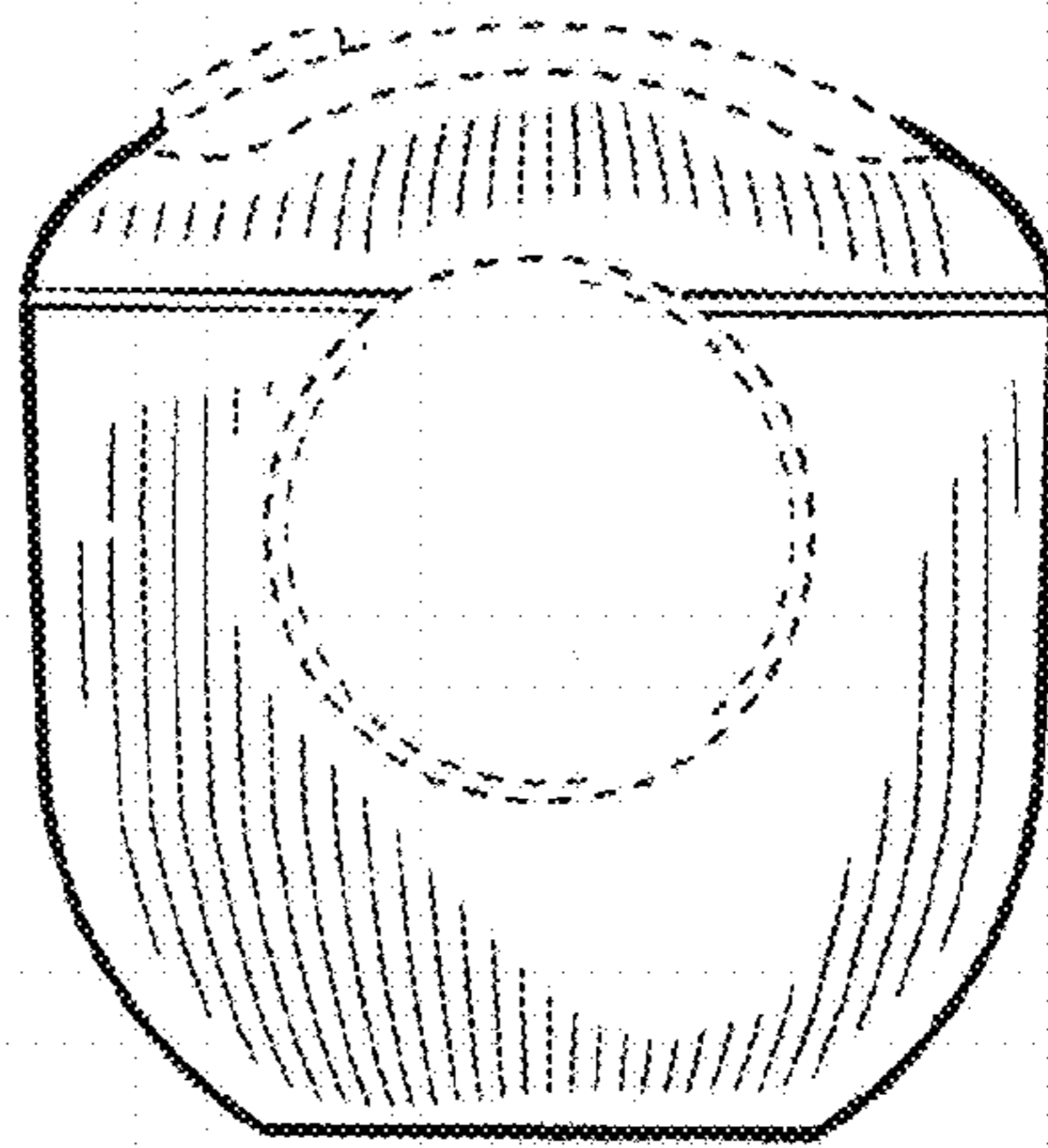


FIG. 5

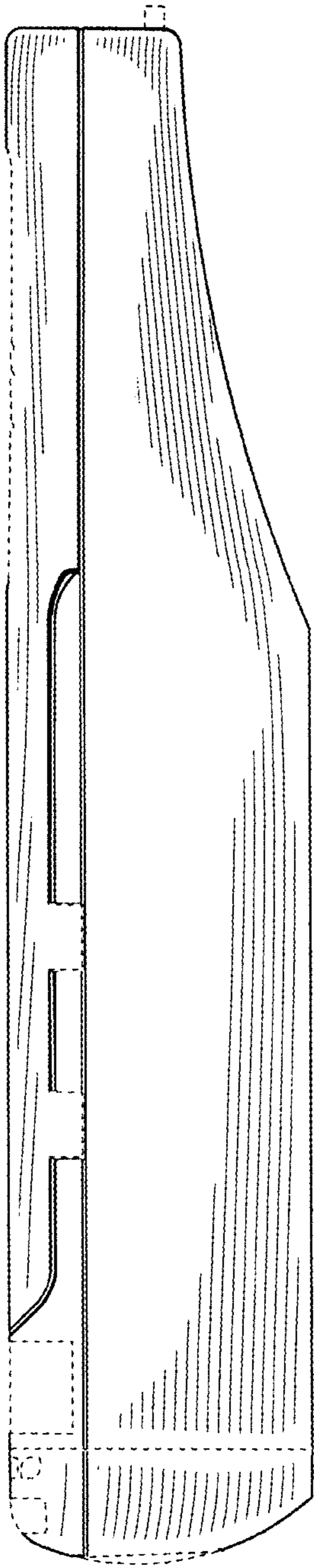


FIG. 6

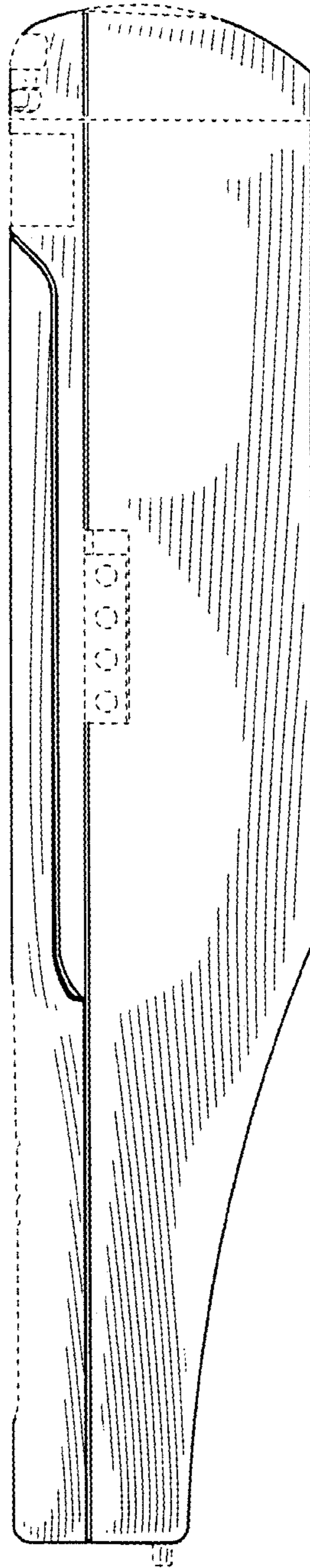


FIG. 7

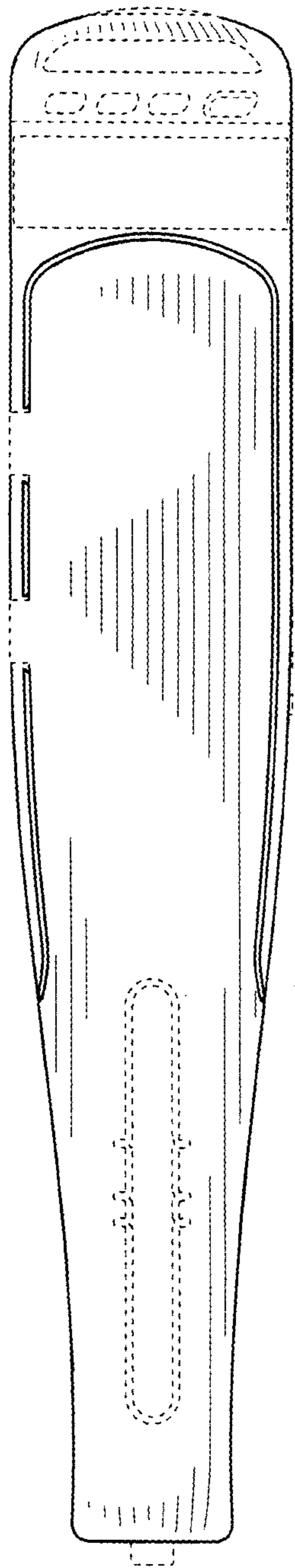


FIG. 8

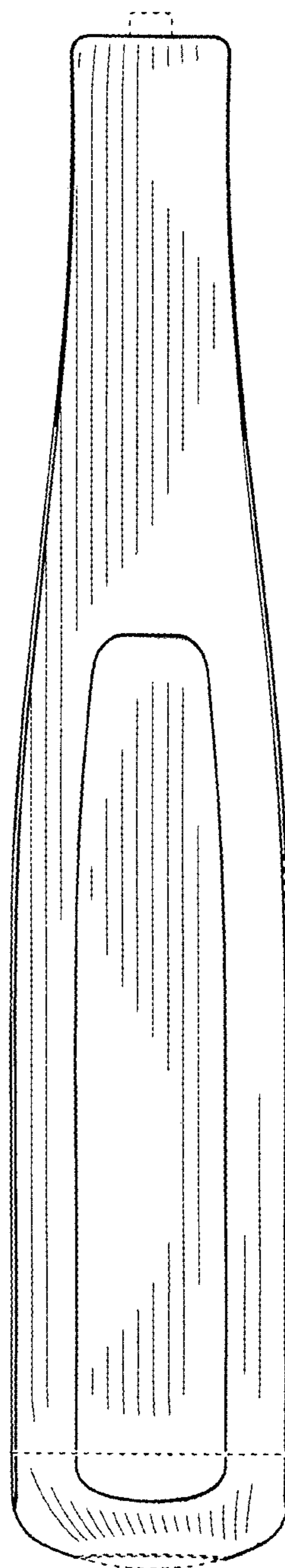


FIG. 9