



US00D764655S

(12) **United States Design Patent**
Klopfer

(10) **Patent No.:** **US D764,655 S**

(45) **Date of Patent:** **** Aug. 23, 2016**

(54) **SUCTION AND IRRIGATION DEVICE**

(71) Applicant: **Spiegelberg GmbH & Co. KG,**
Hamburg (DE)

(72) Inventor: **Felix Klopfer,** Düsseldorf (DE)

(73) Assignee: **SPIEGELBERG GMBH & CO. KG,**
Hamburg (DE)

(**) Term: **14 Years**

(21) Appl. No.: **29/508,965**

(22) Filed: **Nov. 12, 2014**

(30) **Foreign Application Priority Data**

May 13, 2014 (WO) 813276501

(51) **LOC (10) Cl.** **24-01**

(52) **U.S. Cl.**
USPC **D24/108**

(58) **Field of Classification Search**

USPC D24/107, 108, 111, 113, 127

CPC A61M 1/0039; A61M 1/0064; A61M
1/0041; A61M 1/0058; A61C 17/0202;
A61C 17/0211; A61C 17/04; A61C 17/0208

See application file for complete search history.

(56) **References Cited**

U.S. PATENT DOCUMENTS

3,749,090 A * 7/1973 Stewart A61M 1/0064
604/33

D533,274 S * 12/2006 Visconti D24/133

D571,458 S * 6/2008 Kataoka D24/108

D630,728 S * 1/2011 Dombrowski D24/108

D678,512 S * 3/2013 Bow D24/112

D680,640 S * 4/2013 Merchant D24/108

2001/0037082 A1* 11/2001 Kamiyama A61M 1/0064
604/43

2013/0303979 A1* 11/2013 Stieglitz A61M 1/0047
604/30

2014/0207056 A1* 7/2014 Bono A61M 3/0283
604/34

* cited by examiner

Primary Examiner — Barbara Fox

Assistant Examiner — Lilyana Bekic

(74) *Attorney, Agent, or Firm* — Maschoff Brennan

(57) **CLAIM**

The ornamental design for a suction and irrigation device, as shown and described.

DESCRIPTION

FIG. 1 is a perspective view of a suction and irrigation device showing my new design;

FIG. 2 is a top view of the suction and irrigation device shown in FIG. 1;

FIG. 3 is a bottom view of the suction and irrigation device shown in FIG. 1;

FIG. 4 is a first side view of the suction and irrigation device shown in FIG. 1;

FIG. 5 is a second side view of the suction and irrigation device shown in FIG. 1;

FIG. 6 is a front view of the suction and irrigation device shown in FIG. 1 with the tubing removed for ease of illustration; and,

FIG. 7 is a rear view of the suction and irrigation device shown in FIG. 1 with the tubing removed for ease of illustration.

1 Claim, 2 Drawing Sheets

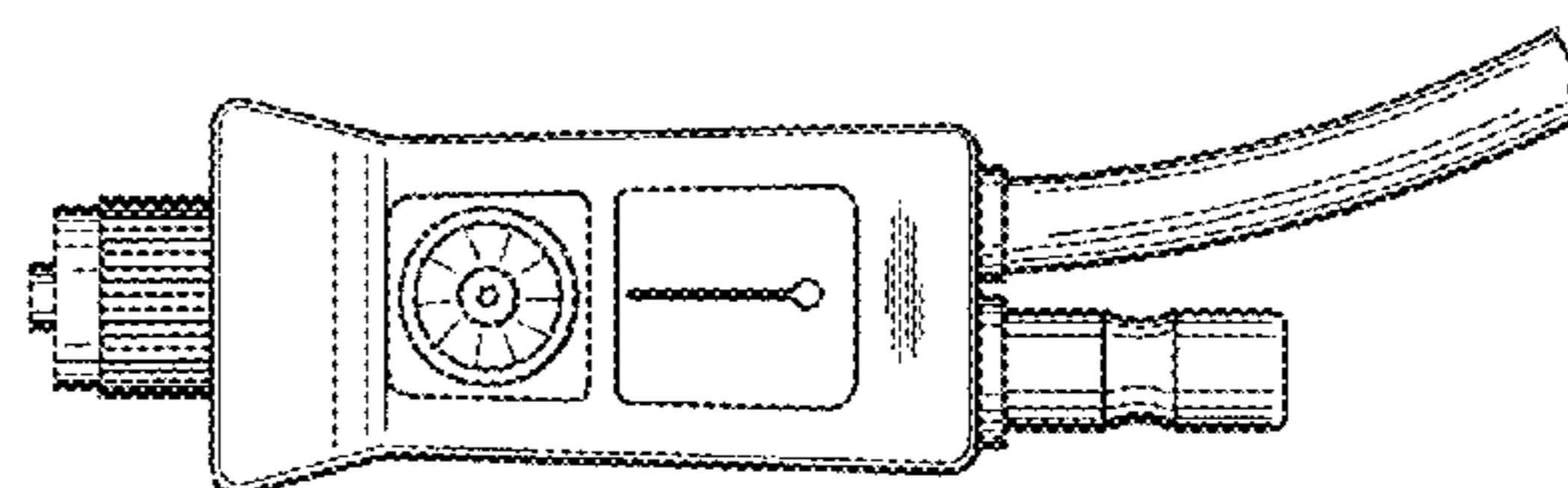
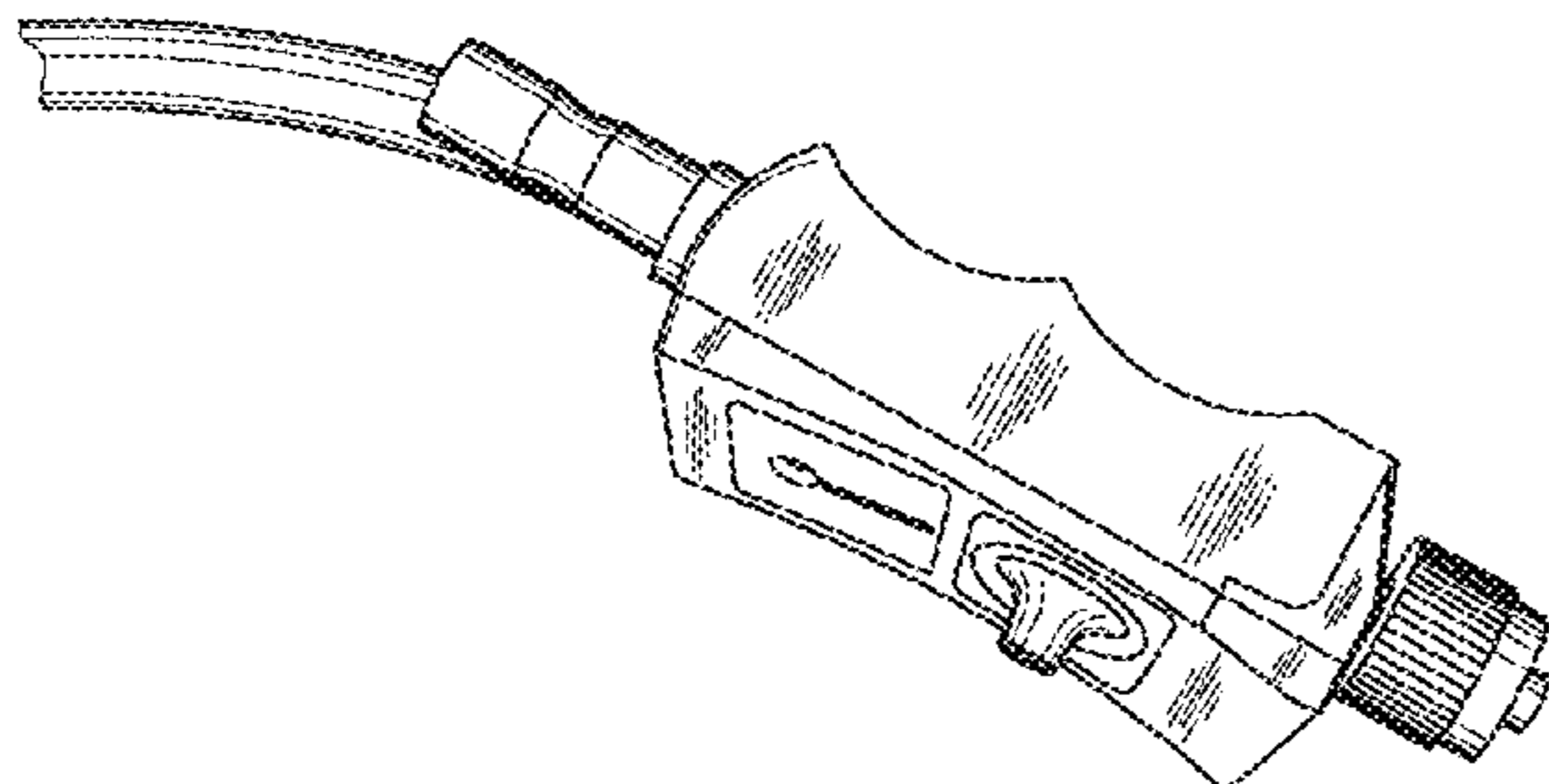


FIG 1

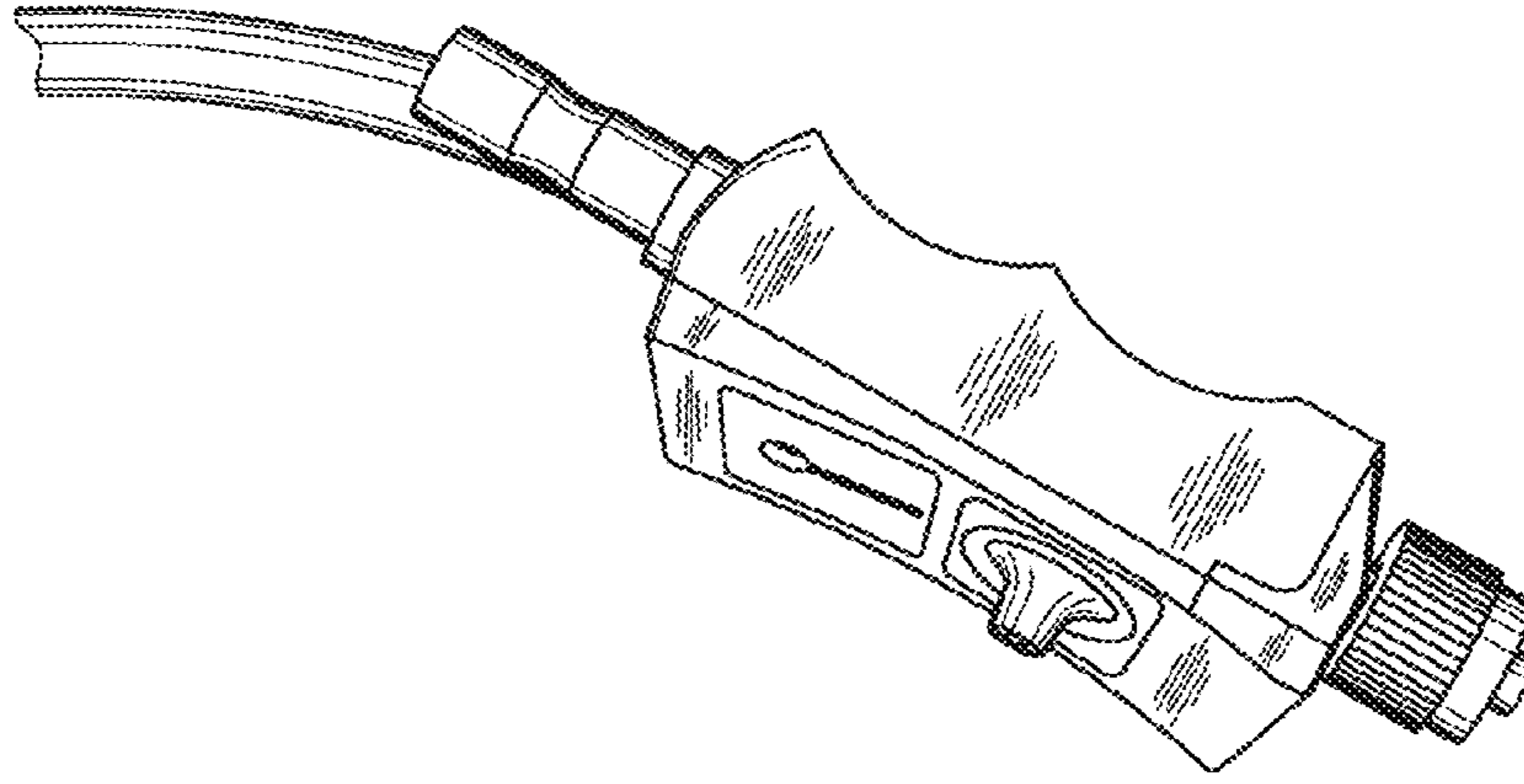


FIG 2

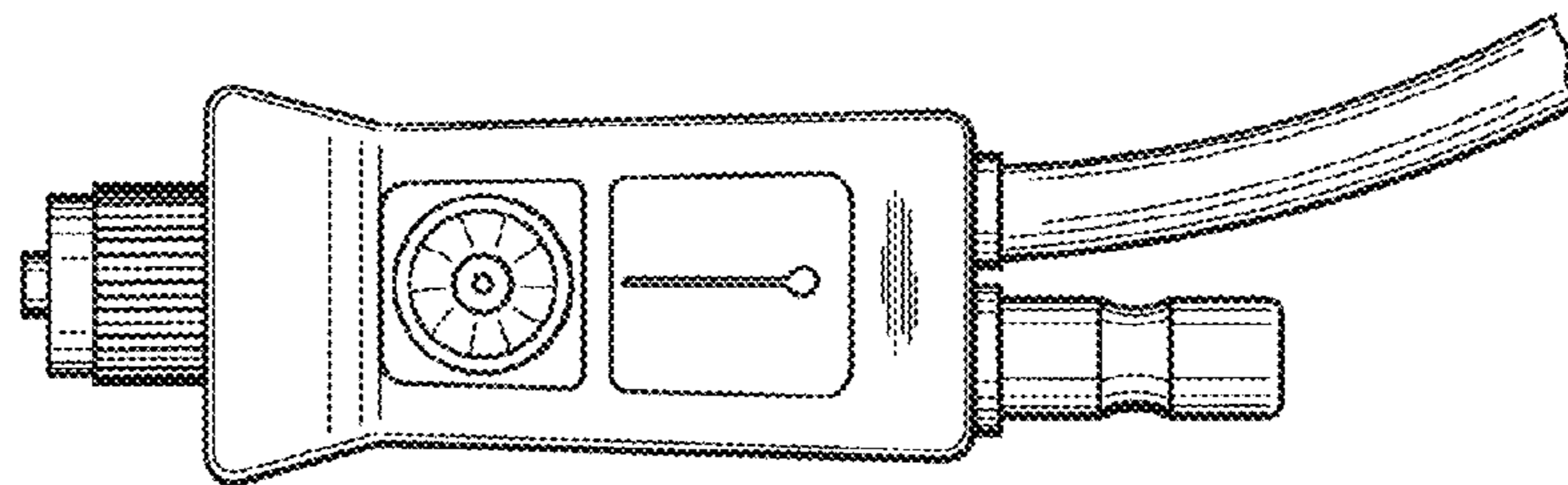


FIG 3

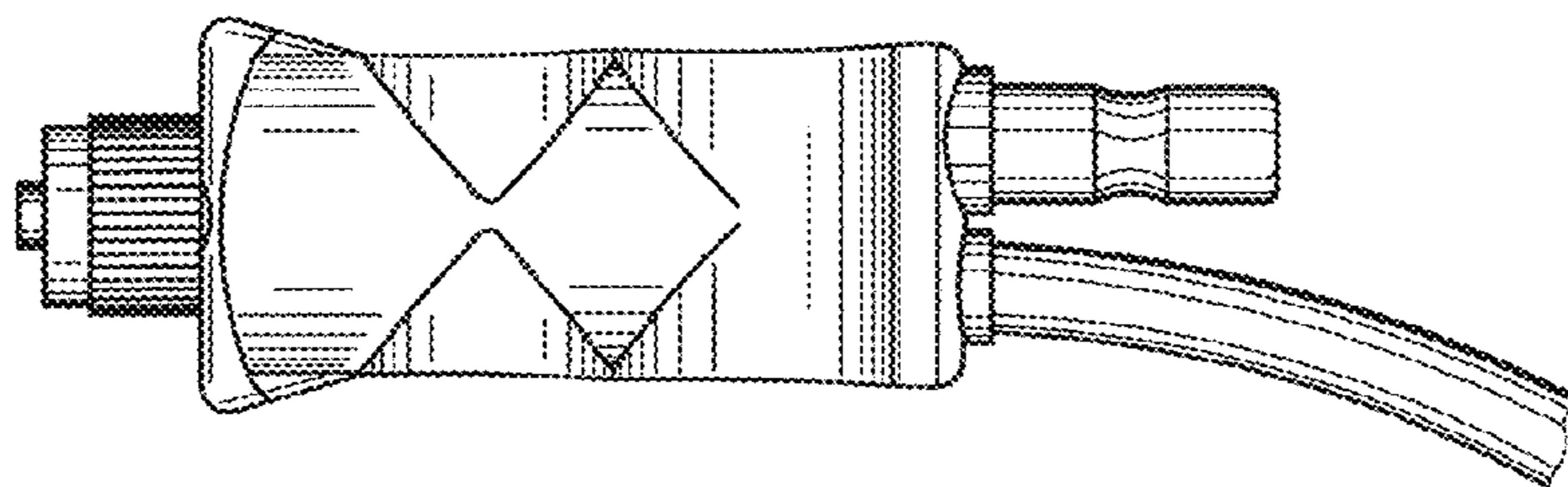


FIG 4

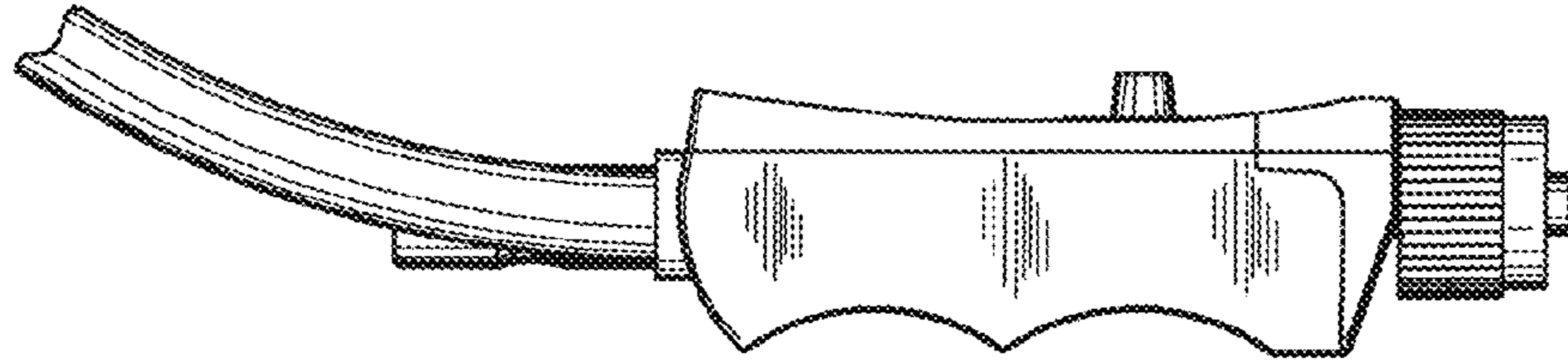


FIG 5

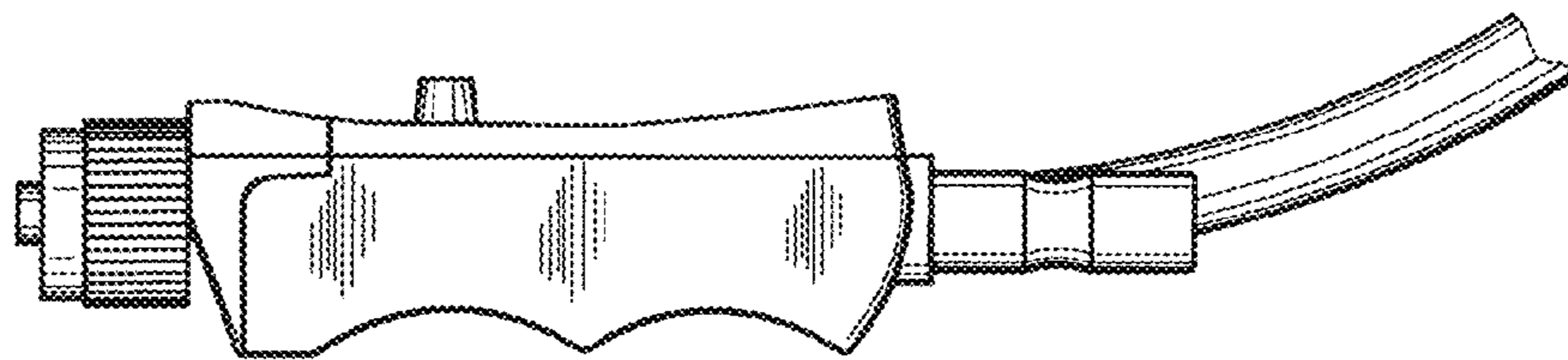


FIG 6

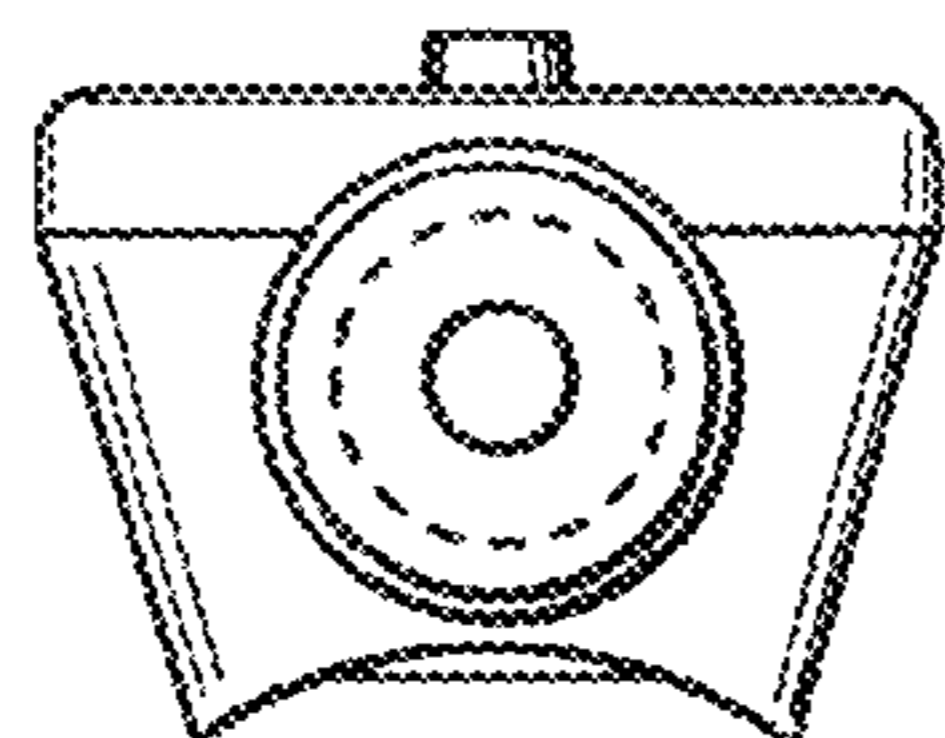


FIG 7

