



US00D764652S

(12) **United States Design Patent** (10) **Patent No.:** **US D764,652 S**
Weiss et al. (45) **Date of Patent:** **** Aug. 23, 2016**

(54) **DIFFUSER GRID**

(71) Applicants: **Christian Weiss**,
Mulfingen-Zalsenhausen (DE); **Sven Beck**,
Krautheim (DE); **Oliver Haaf**,
Kupferzell (DE)

(72) Inventors: **Christian Weiss**,
Mulfingen-Zalsenhausen (DE); **Sven Beck**,
Krautheim (DE); **Oliver Haaf**,
Kupferzell (DE)

(73) Assignee: **EBM-PAPST MULFINGEN GMBH & CO. KG** (DE)

(**) Term: **14 Years**

(21) Appl. No.: **29/495,778**

(22) Filed: **Jul. 3, 2014**

(30) **Foreign Application Priority Data**

Jan. 6, 2014 (DE) 40 2014 100 003

(51) **LOC (10) Cl.** **23-04**

(52) **U.S. Cl.**
USPC **D23/390; D23/412**

(58) **Field of Classification Search**
USPC D23/411-414, 212, 213, 223, 229, 380,
D23/324, 330, 332, 335, 351, 353-369,
D23/370-379, 381-386, 388, 390, 393,
D23/499; D7/409, 667, 668; 454/241, 248,
454/249, 254, 256, 264, 265, 275, 277, 292,
454/296; 362/96; D14/140, 142, 148, 149,
D14/172, 194, 195, 204, 209, 210, 215, 216,
D14/217, 219, 225, 257, 496; D15/28;
D26/119; D28/18; 415/119; 416/247 R
CPC .. F04D 29/005; F04D 29/703; F04D 29/646;
F04D 29/668; F04D 25/08; F24F 13/20;
F24F 13/06; F24F 13/082; F24F 7/06;
H04R 1/02; H04R 1/28; H04R 2201/021;
B01D 2279/35; F16P 1/02
See application file for complete search history.

(56) **References Cited**

U.S. PATENT DOCUMENTS

2,343,820	A *	3/1944	Thornton	F24F 6/06 239/220
D182,209	S *	2/1958	Stanley	D23/412
D195,974	S *	8/1963	Spilman	D14/228
D201,322	S *	6/1965	Knapp	D23/412
3,779,341	A *	12/1973	Huggins	F01N 1/10 123/41.49
D258,307	S *	2/1981	Adam	D23/386
D261,803	S *	11/1981	Bohanon, Jr.	D23/393
D313,468	S *	1/1991	Chaney	D23/412
D391,359	S *	2/1998	Teng	D23/328
6,036,444	A *	3/2000	Barney	F04D 29/703 415/121.2
D435,095	S *	12/2000	Nanjo	D23/351
D484,586	S *	12/2003	Intravatola	D23/370
D534,632	S *	1/2007	David	D23/351
D557,398	S *	12/2007	Moore	D23/382
D599,471	S *	9/2009	Borovicka	D23/412

(Continued)

Primary Examiner — Susan Bennett Hattan

Assistant Examiner — Marie Fast Horse

(74) *Attorney, Agent, or Firm* — Tarolli, Sundheim, Covell & Tummino LLP

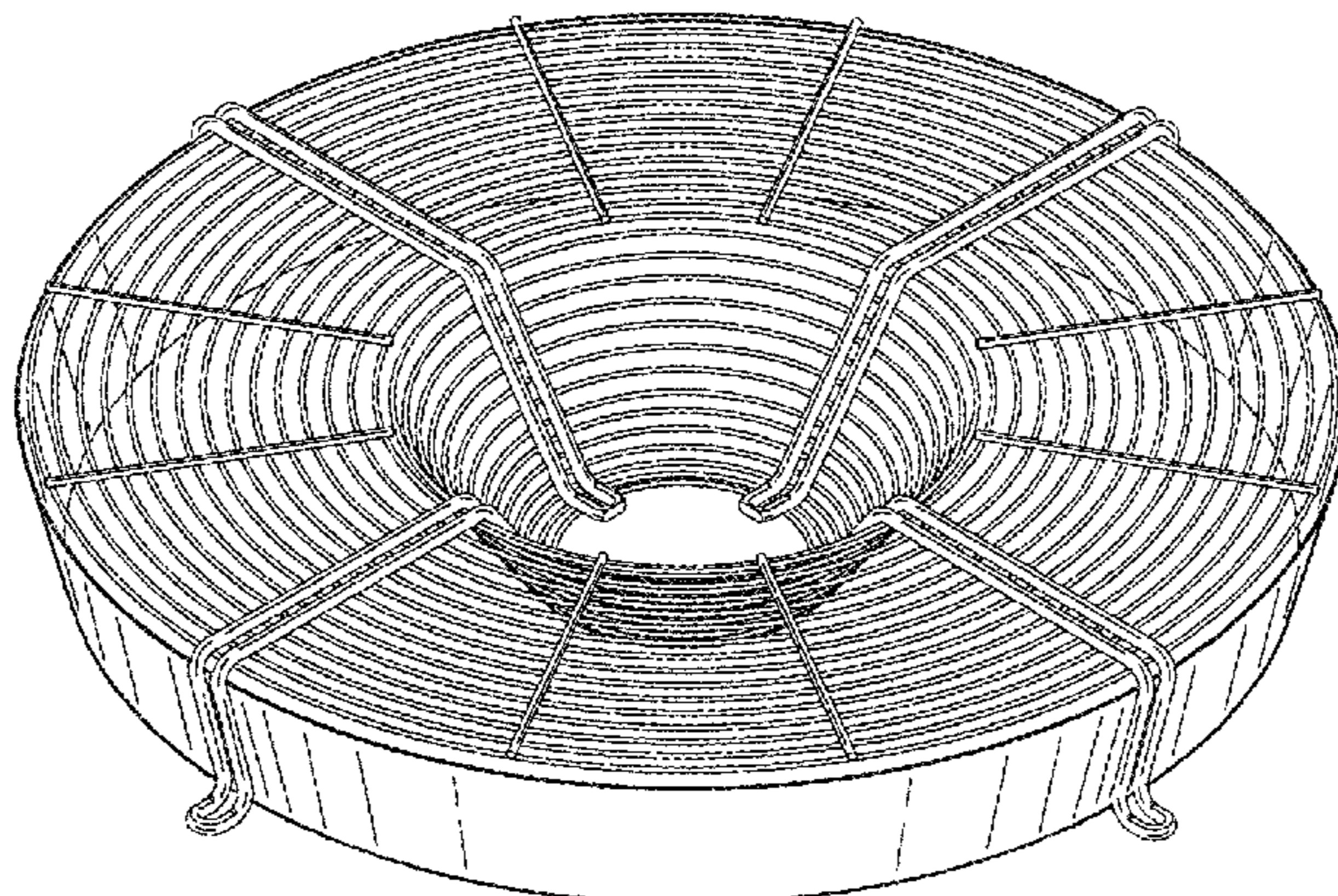
(57) **CLAIM**

We claim the ornamental design for a diffuser grid, as shown and described.

DESCRIPTION

FIG. 1 is a top perspective view of the diffuser grid comprising a new, original and ornamental design;
FIG. 2 is a bottom perspective view thereof;
FIG. 3 is a top plan view thereof;
FIG. 4 is a bottom view thereof;
FIG. 5 is a front elevation view thereof;
FIG. 6 is a rear elevation view thereof;
FIG. 7 is a right side elevational view thereof; and,
FIG. 8 is a left side elevational view thereof.

1 Claim, 4 Drawing Sheets



(56)

References Cited

U.S. PATENT DOCUMENTS

D603,948 S *	11/2009	Ishihara	D23/351	2012/0027571 A1*	2/2012	Cho	F04D 29/023 415/119
D604,822 S *	11/2009	Lee	D23/351	2012/0039731 A1*	2/2012	Sadi	F04D 29/164 417/423.7
D650,225 S *	12/2011	Bartol	D7/354	2013/0004349 A1*	1/2013	Haaf	F04D 29/329 417/423.7
D684,808 S *	6/2013	Mehler	D7/354	2013/0017073 A1*	1/2013	Sauer	F04D 29/646 415/182.1
D733,495 S *	7/2015	Tyson	D7/354	2013/0022479 A1*	1/2013	Haaf	F04D 25/082 417/369
2005/0260063 A1*	11/2005	Blateri	F04D 29/646 415/1	2013/0045085 A1*	2/2013	Frank	F04D 29/668 415/119
2006/0073018 A1*	4/2006	Girod	F04D 29/023 416/146 R	2013/0114245 A1*	5/2013	Todd, Jr.	F21V 33/0096 362/96
2007/0092375 A1*	4/2007	Liu	F04D 25/08 416/63					
2011/0002784 A1*	1/2011	Yu	F04D 29/703 416/100					

* cited by examiner

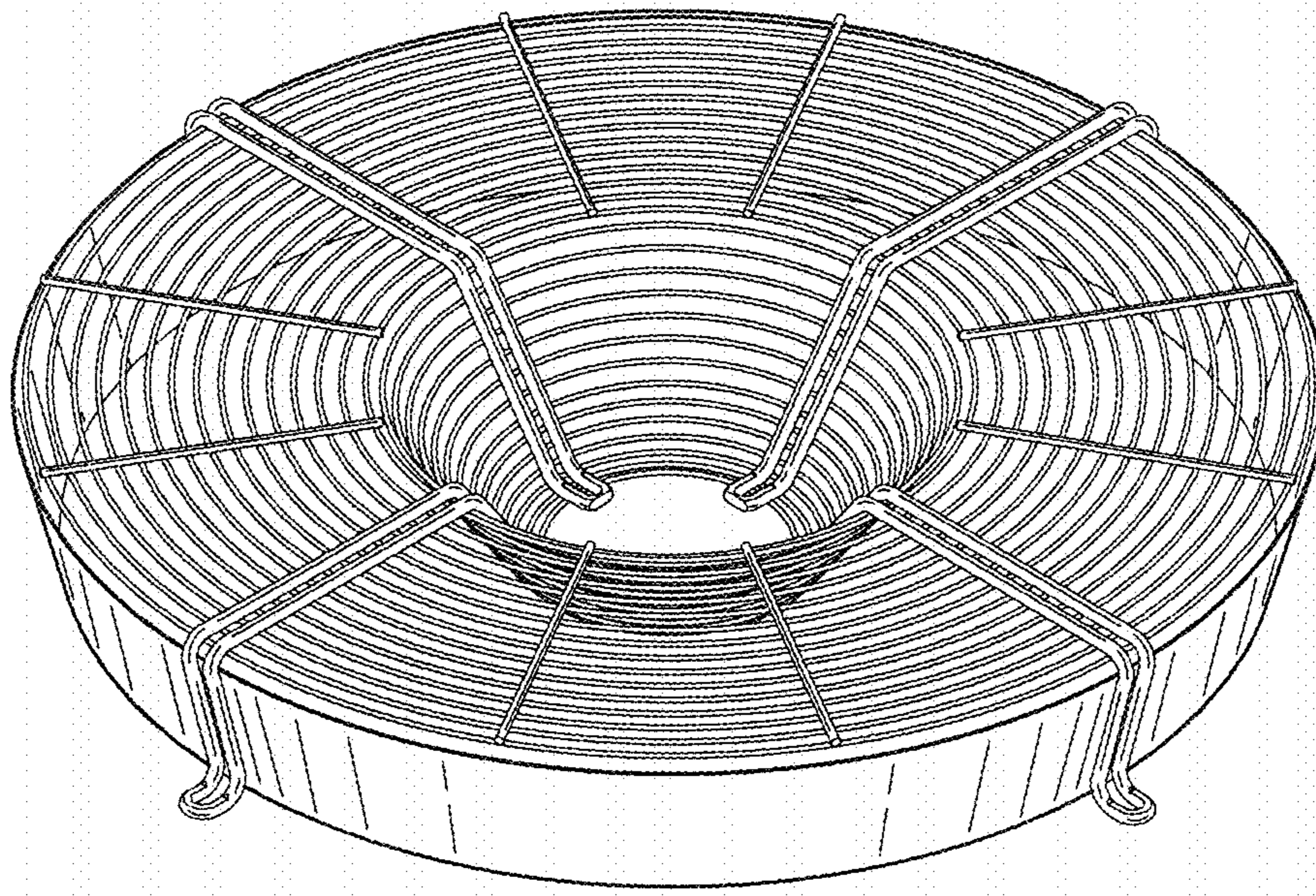


FIG. 1

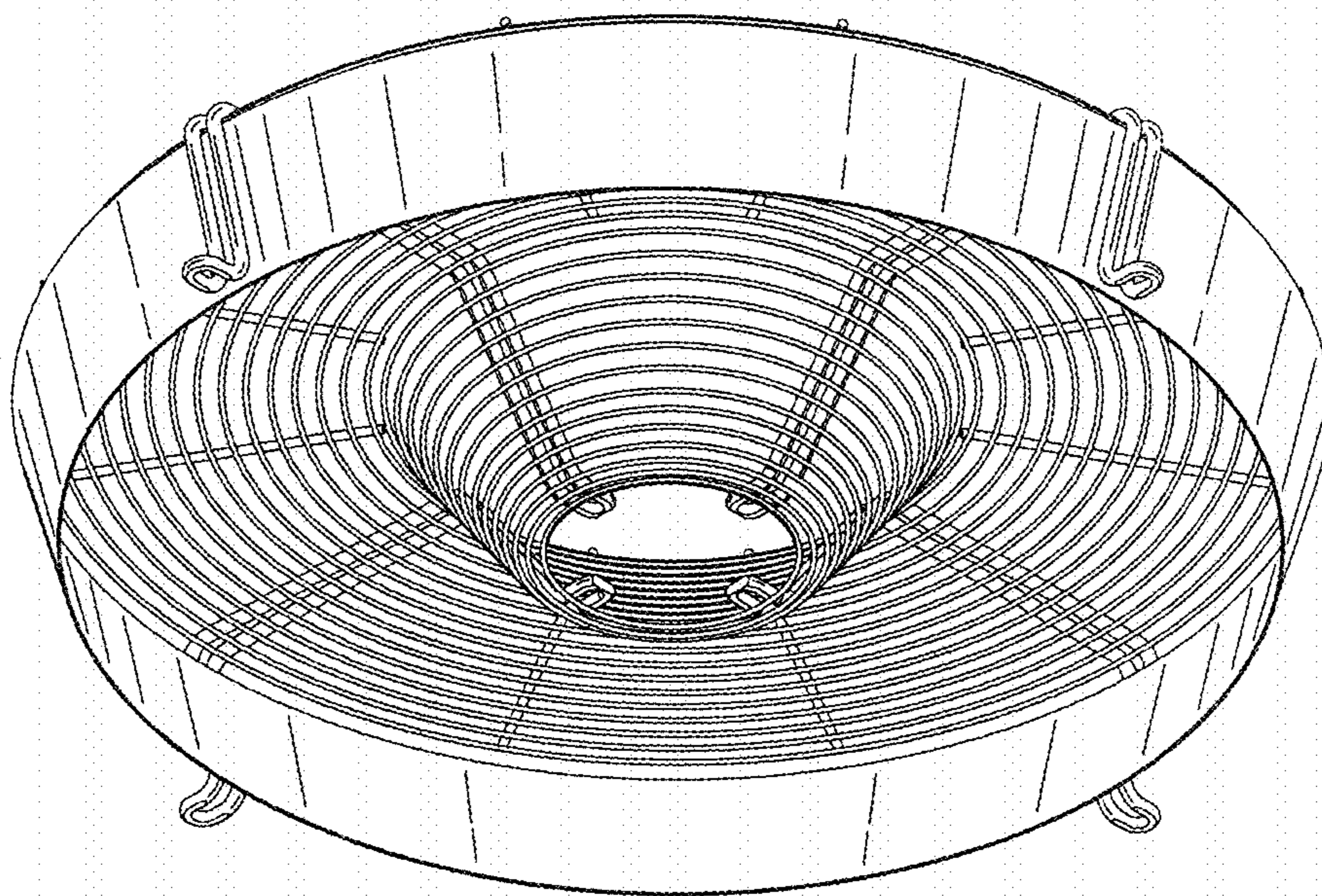


FIG. 2

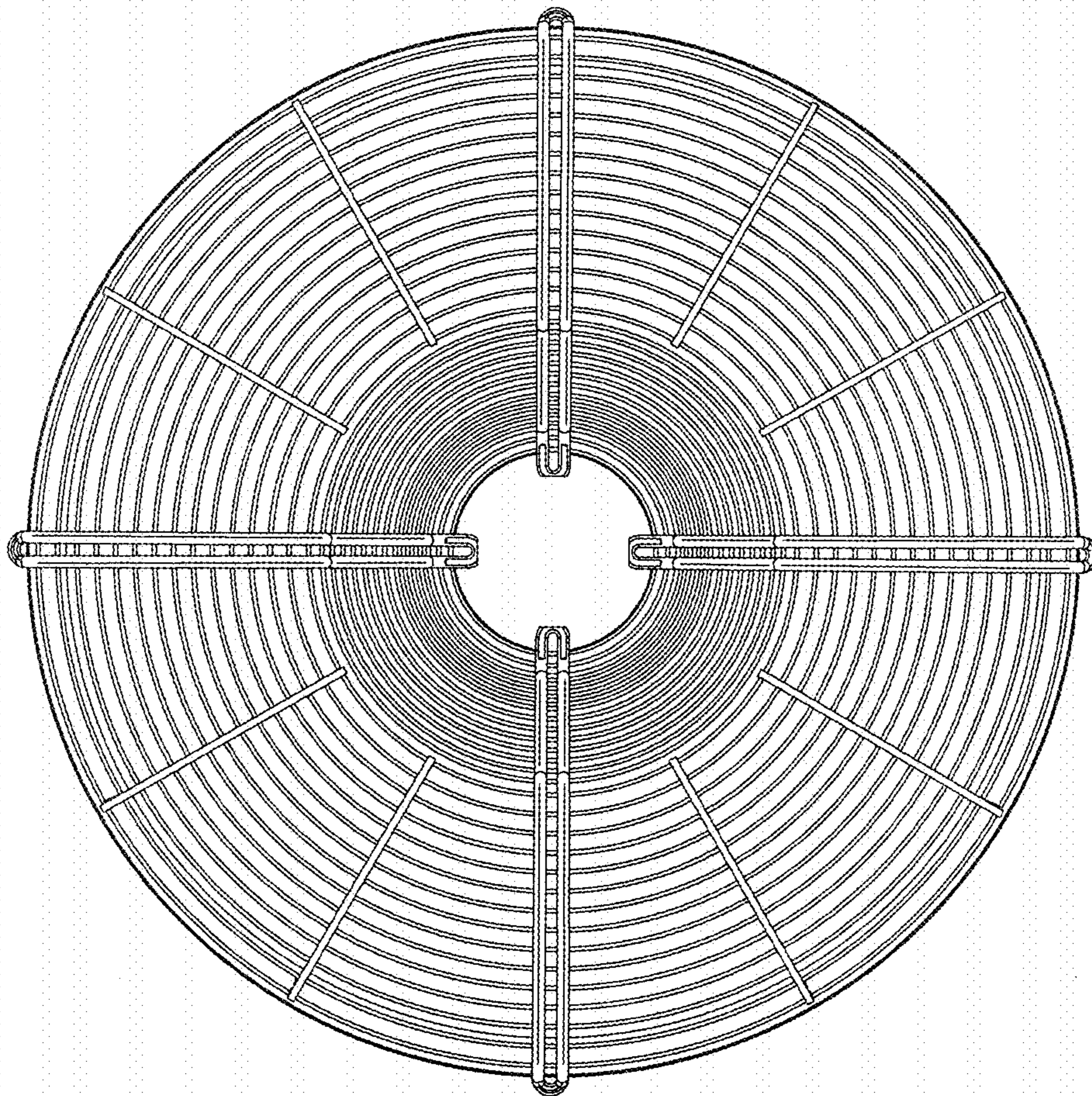


FIG. 3

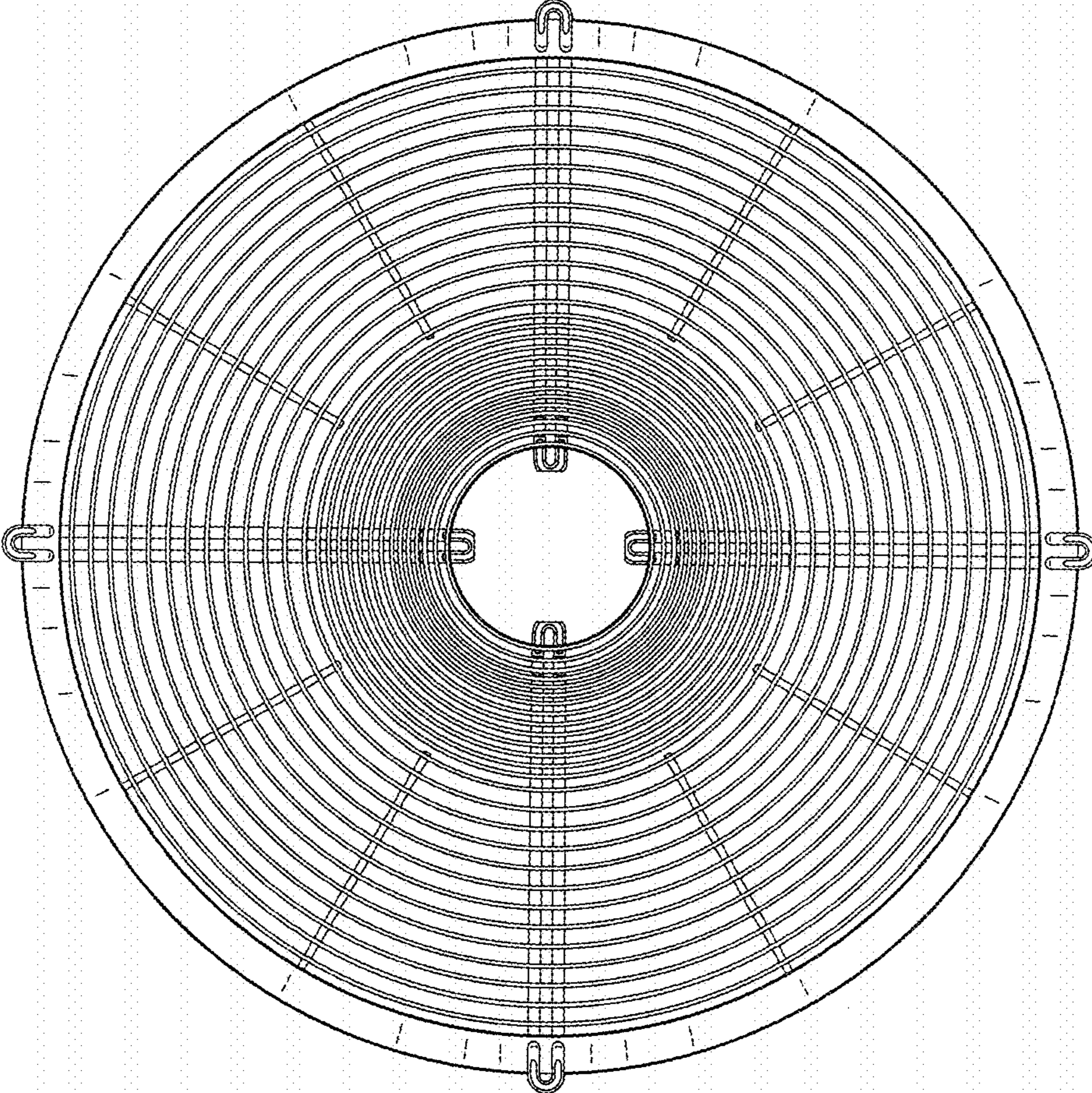


FIG. 4

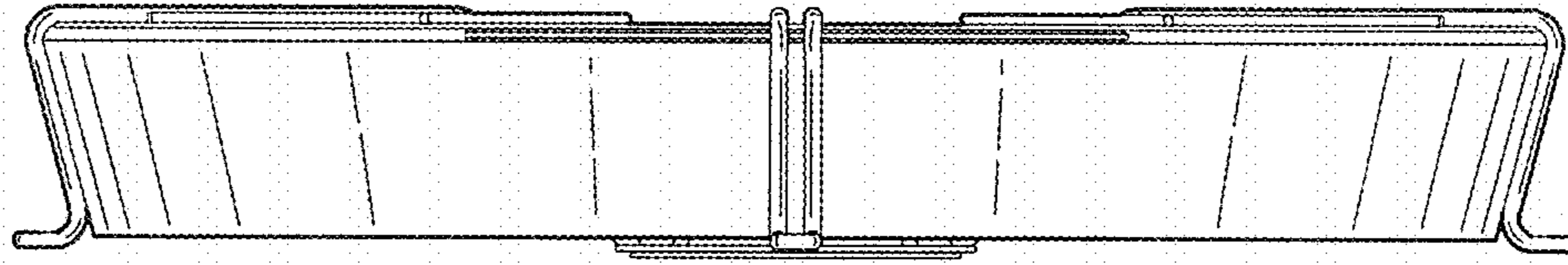


FIG. 5

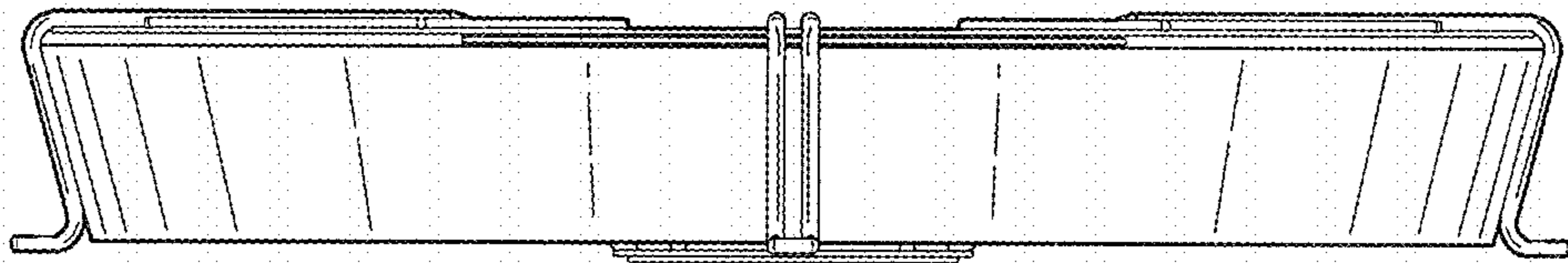


FIG. 6

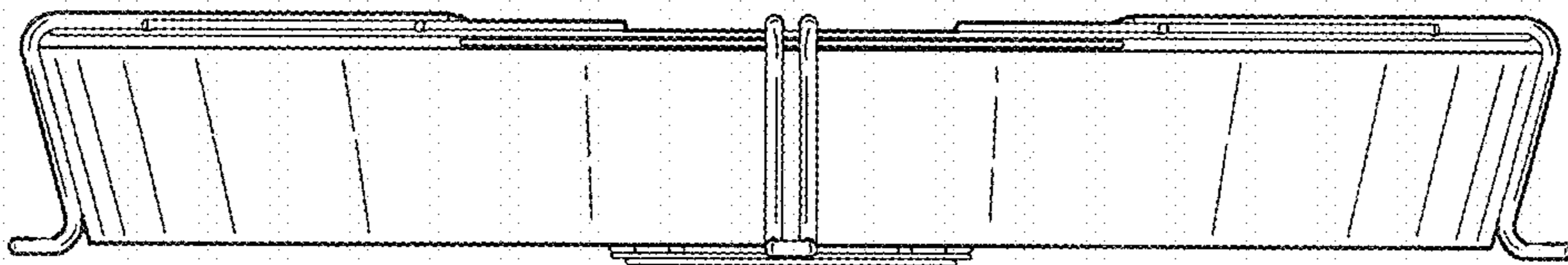


FIG. 7

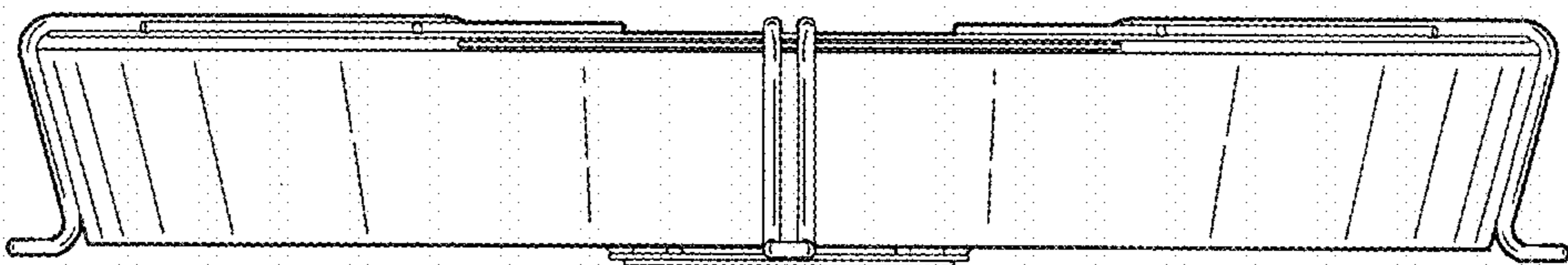


FIG. 8