

US00D764649S

(12) **United States Design Patent**
Ko et al.

(10) **Patent No.:** **US D764,649 S**
(45) **Date of Patent:** **** Aug. 23, 2016**

(54) **AIR CLEANER FOR VEHICLES**

(56) **References Cited**

(71) Applicant: **Seoul Viosys Co., Ltd.**, Ansan-si (KR)

U.S. PATENT DOCUMENTS

(72) Inventors: **Ik-Hwan Ko**, Pajoo-shi (KR);
Seong-Min Lee, Seoul (KR); **Jae-Seon Lee**, Ansan-si (KR)

D574,072 S * 7/2008 Carlson D23/364
D622,371 S * 8/2010 Beigel D23/364
7,806,952 B2 * 10/2010 Fox A61L 9/22
313/292
D716,427 S * 10/2014 Lim D23/364
D716,432 S * 10/2014 Viala D23/366

(73) Assignee: **SEOUL VIOSYS CO., LTD.**, Ansan-Si (KR)

* cited by examiner

(**) Term: **14 Years**

Primary Examiner — T. Chase Nelson

Assistant Examiner — Ania Aman

(21) Appl. No.: **29/521,258**

(74) *Attorney, Agent, or Firm* — Perkins Coie LLP

(22) Filed: **Mar. 20, 2015**

(57) **CLAIM**

The ornamental design for an air cleaner for vehicles, as shown and described.

(30) **Foreign Application Priority Data**

DESCRIPTION

Sep. 30, 2014 (KR) 30-2014-0047330

FIG. 1 is a top perspective view illustrating an air cleaner for vehicles showing the new design;

(51) **LOC (10) Cl.** **23-04**

FIG. 2 is a front view of the air cleaner for vehicles;

(52) **U.S. Cl.**

FIG. 3 is a rear view of the air cleaner for vehicles;

USPC **D23/364**

FIG. 4 is a left-side view of the air cleaner for vehicles;

(58) **Field of Classification Search**

FIG. 5 is a right-side view of the air cleaner for vehicles;

USPC D23/355–366, 352, 369, 332, 333, 335,
D23/336, 342, 351, 324; D15/5; 422/120,
422/122; 55/473, 504; 96/63; D14/188,
D14/170, 172; 261/DIG. 17, DIG. 65,
261/DIG. 88, DIG. 31

FIG. 6 is a top view of the air cleaner for vehicles; and,

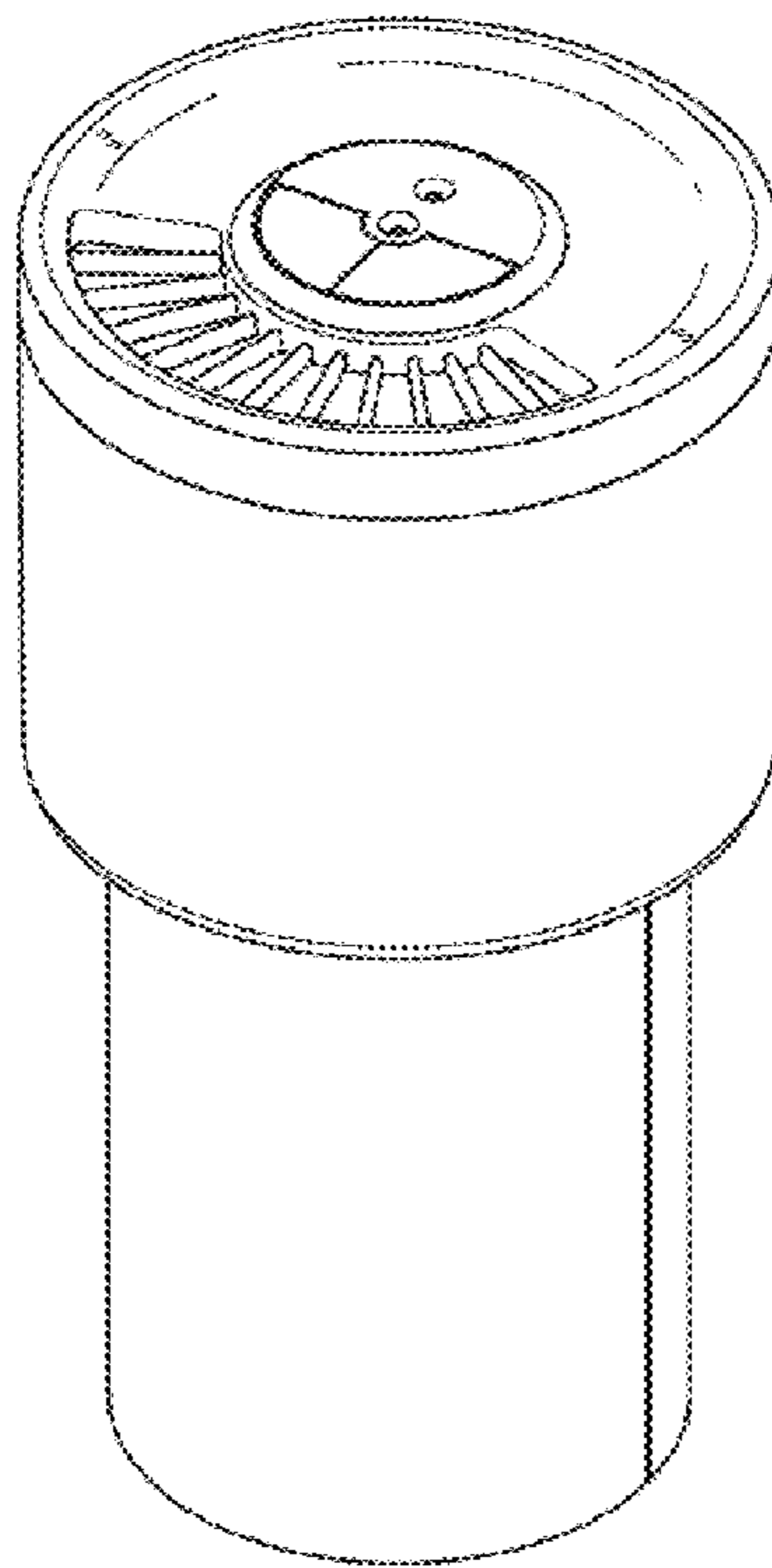
FIG. 7 is a bottom view of the air cleaner for vehicles.

The disclosed ornamental design of an air cleaner for vehicles has a cylindrical shape and can fit into a cup holder installed in vehicles.

The broken lines shown in FIG. 7 are for the purpose of illustrating portions of the article that form no part of the claimed design.

See application file for complete search history.

1 Claim, 7 Drawing Sheets



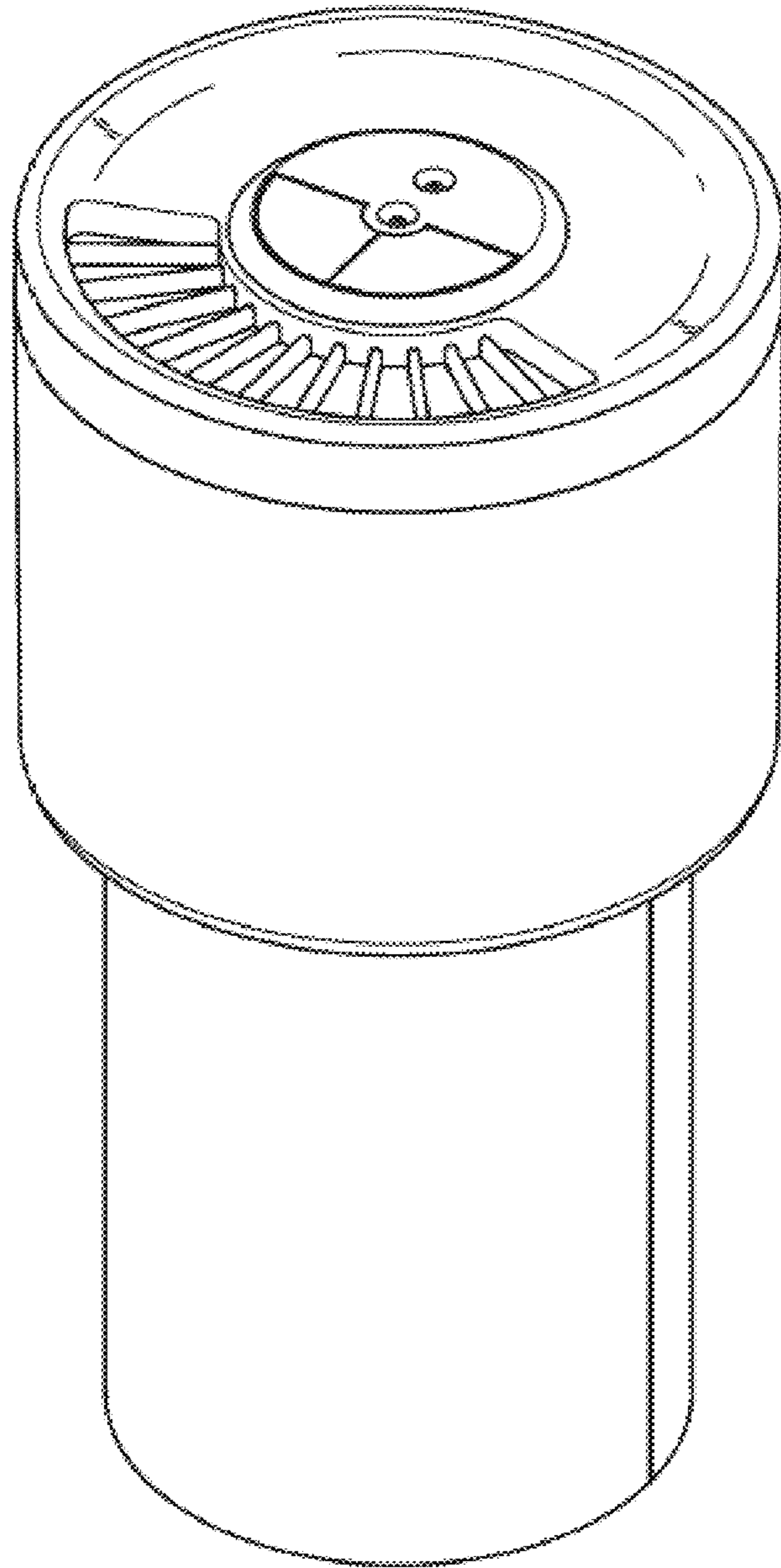


FIG. 1

FIG. 2

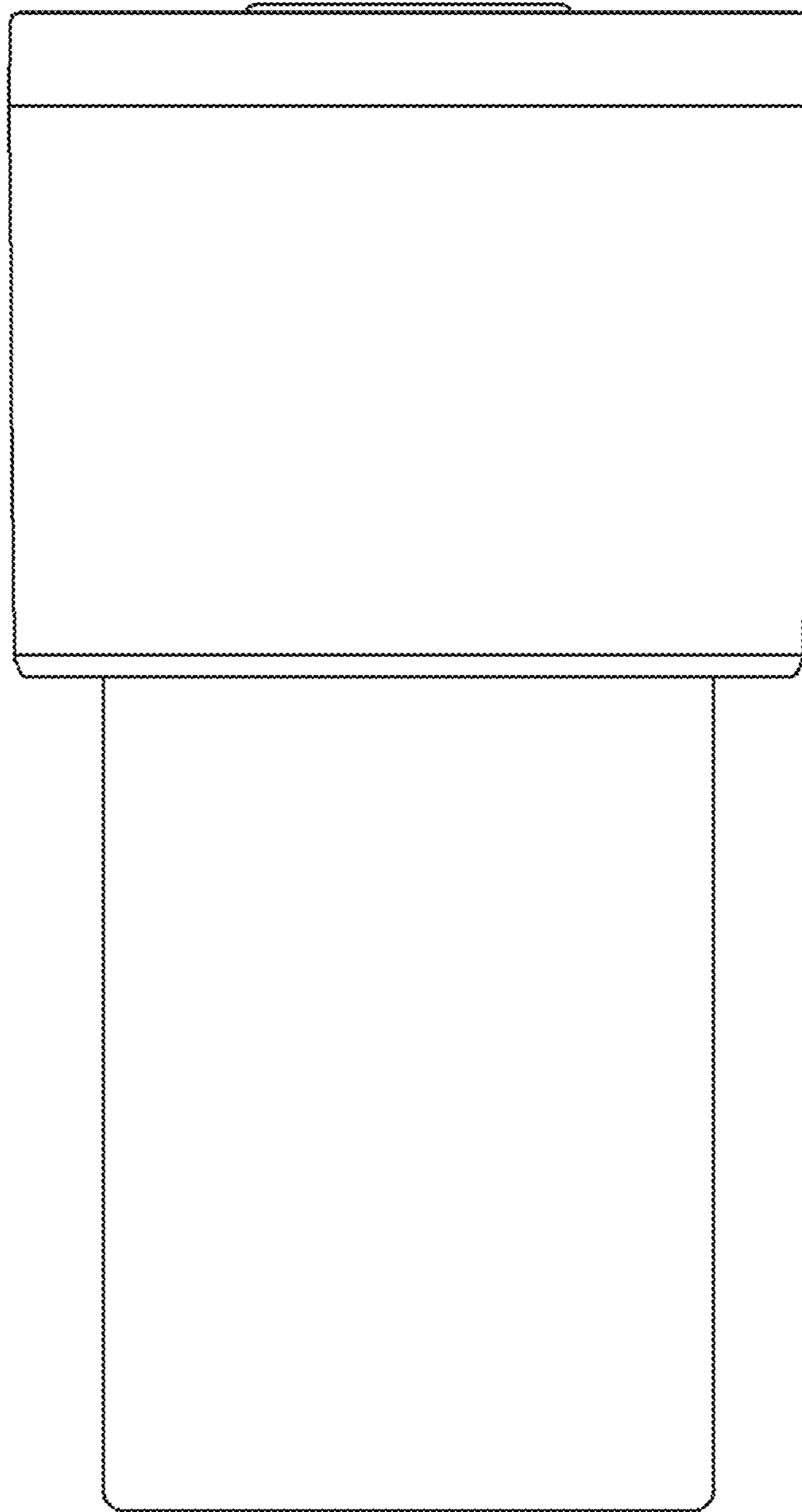


FIG. 3

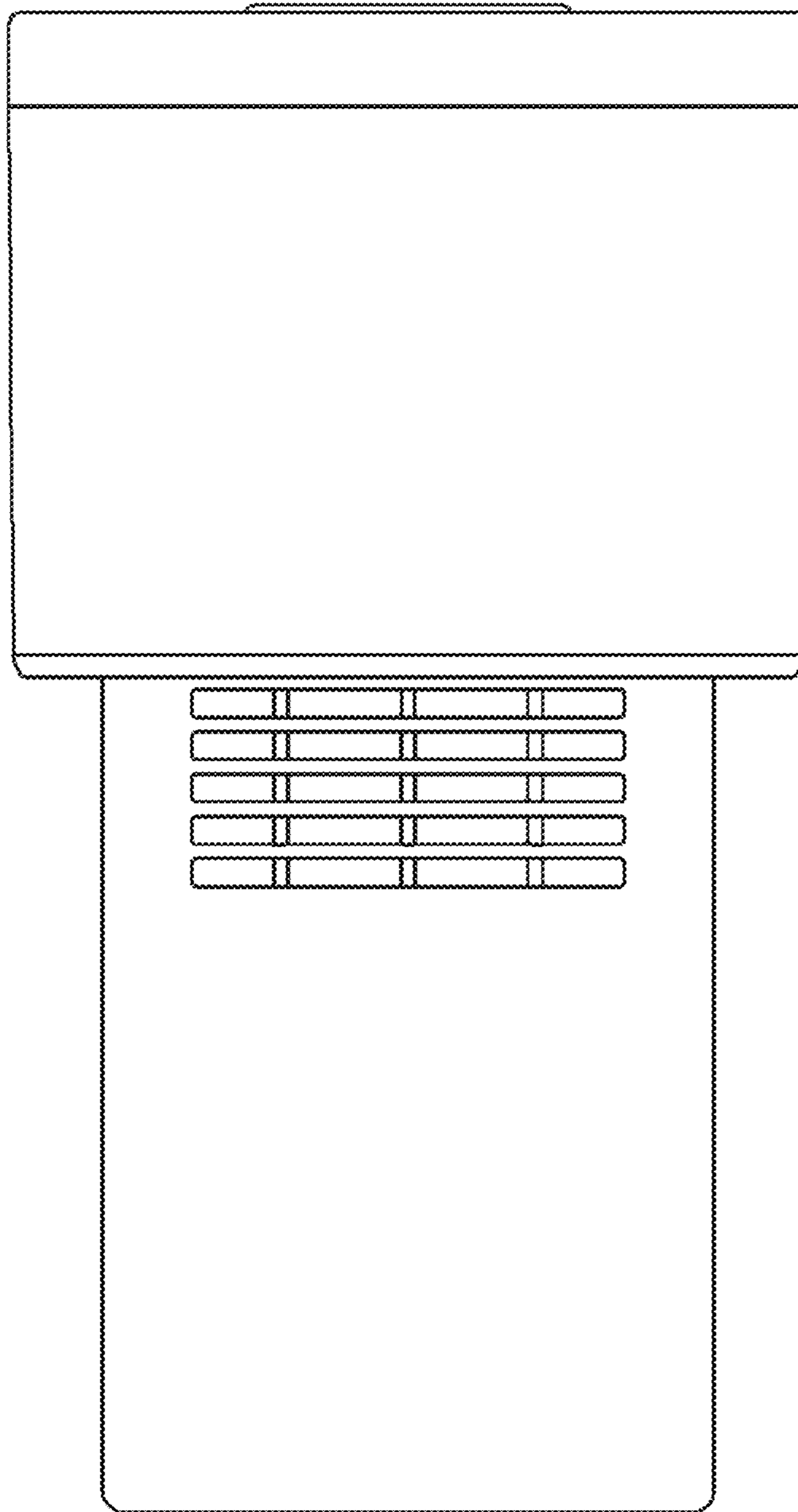


FIG. 4

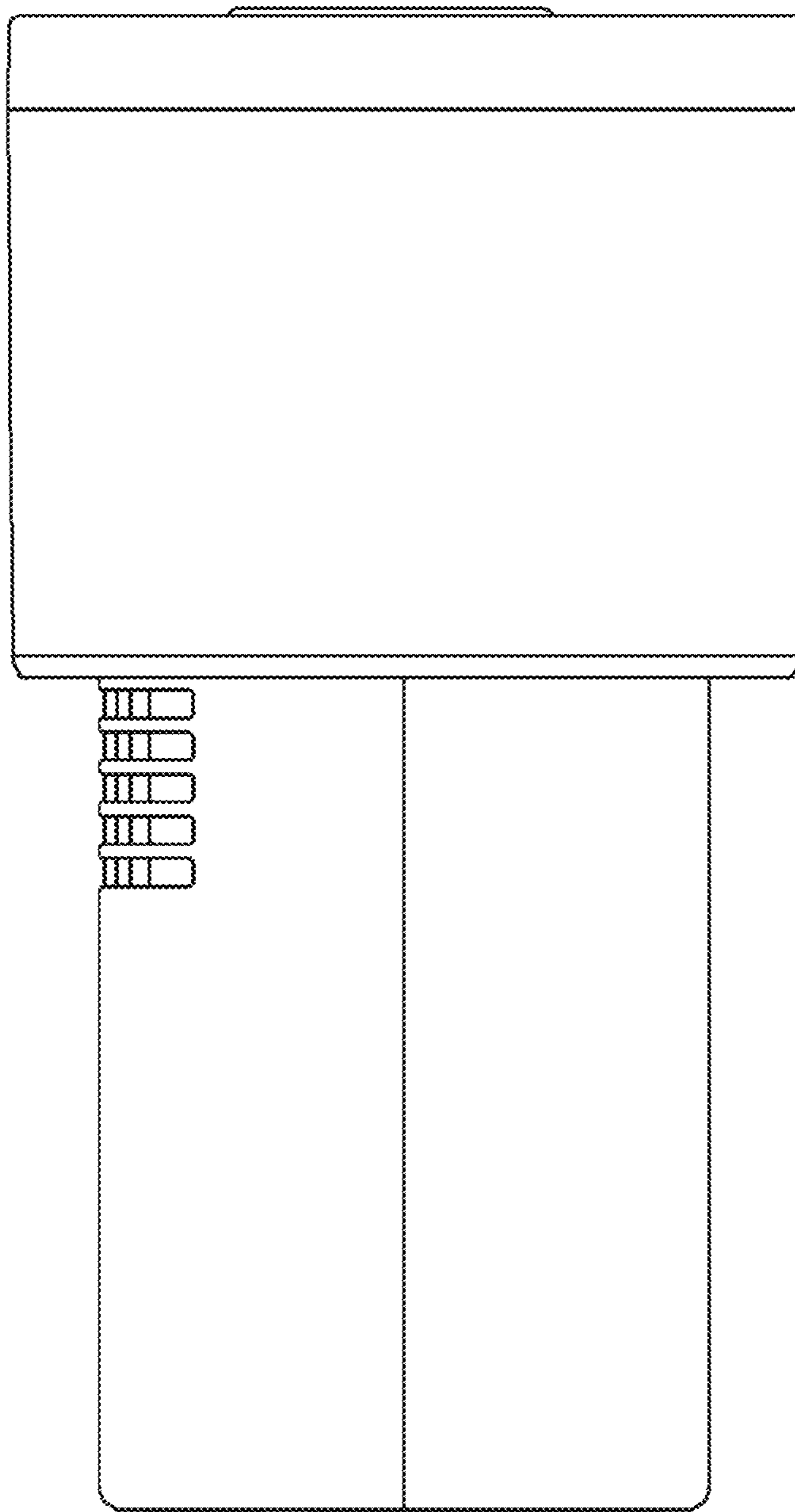


FIG. 5

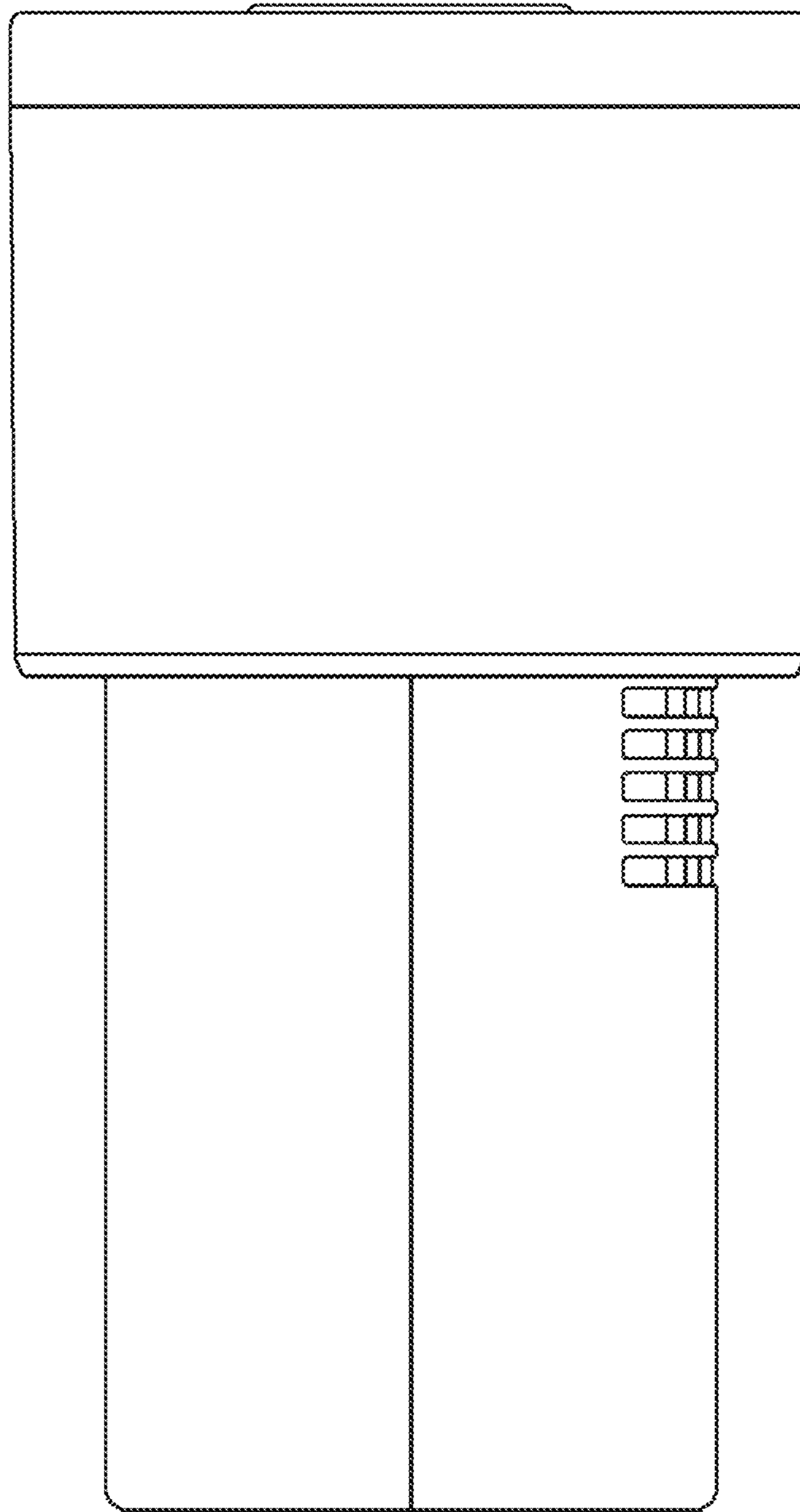
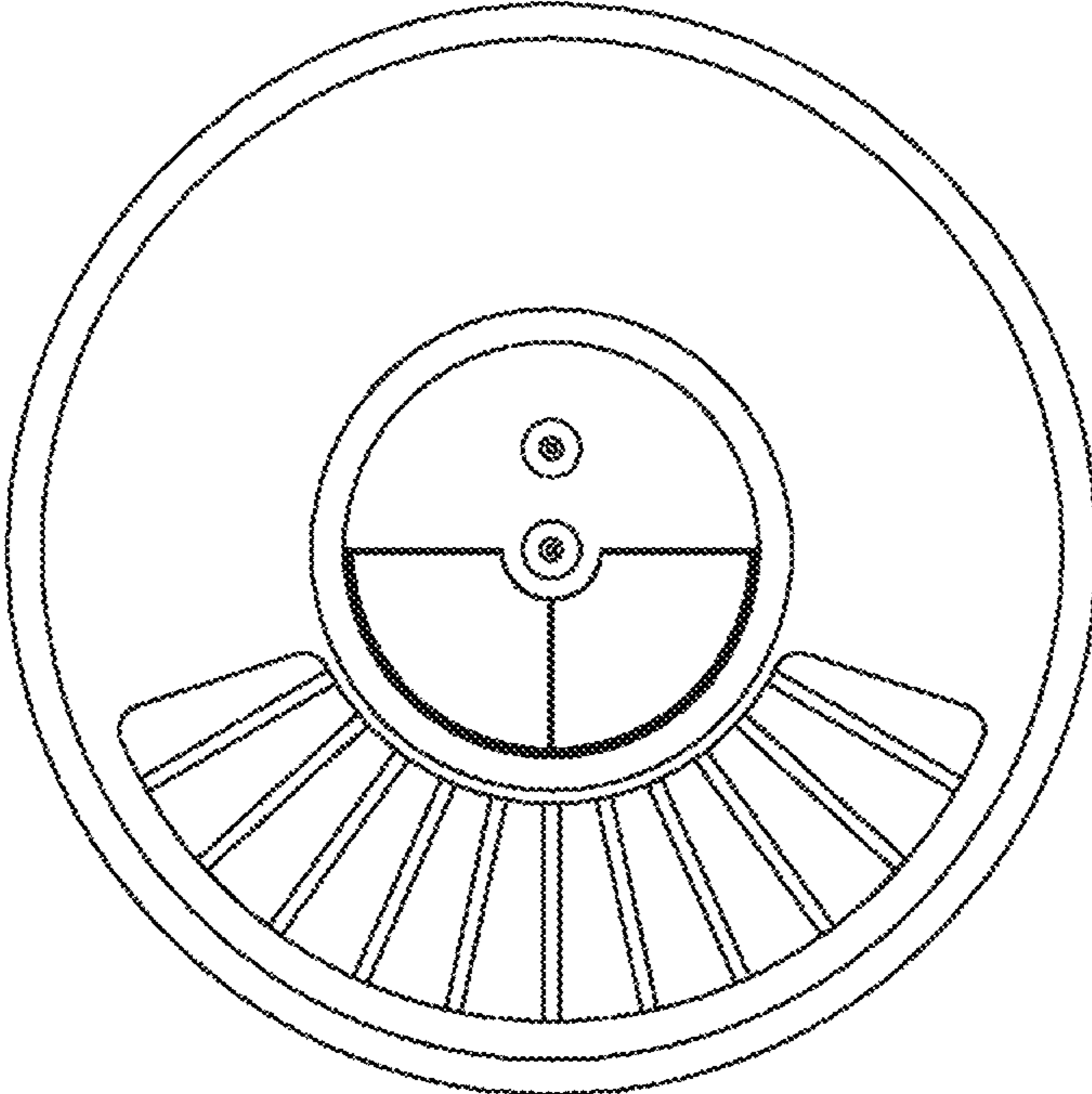


FIG. 6



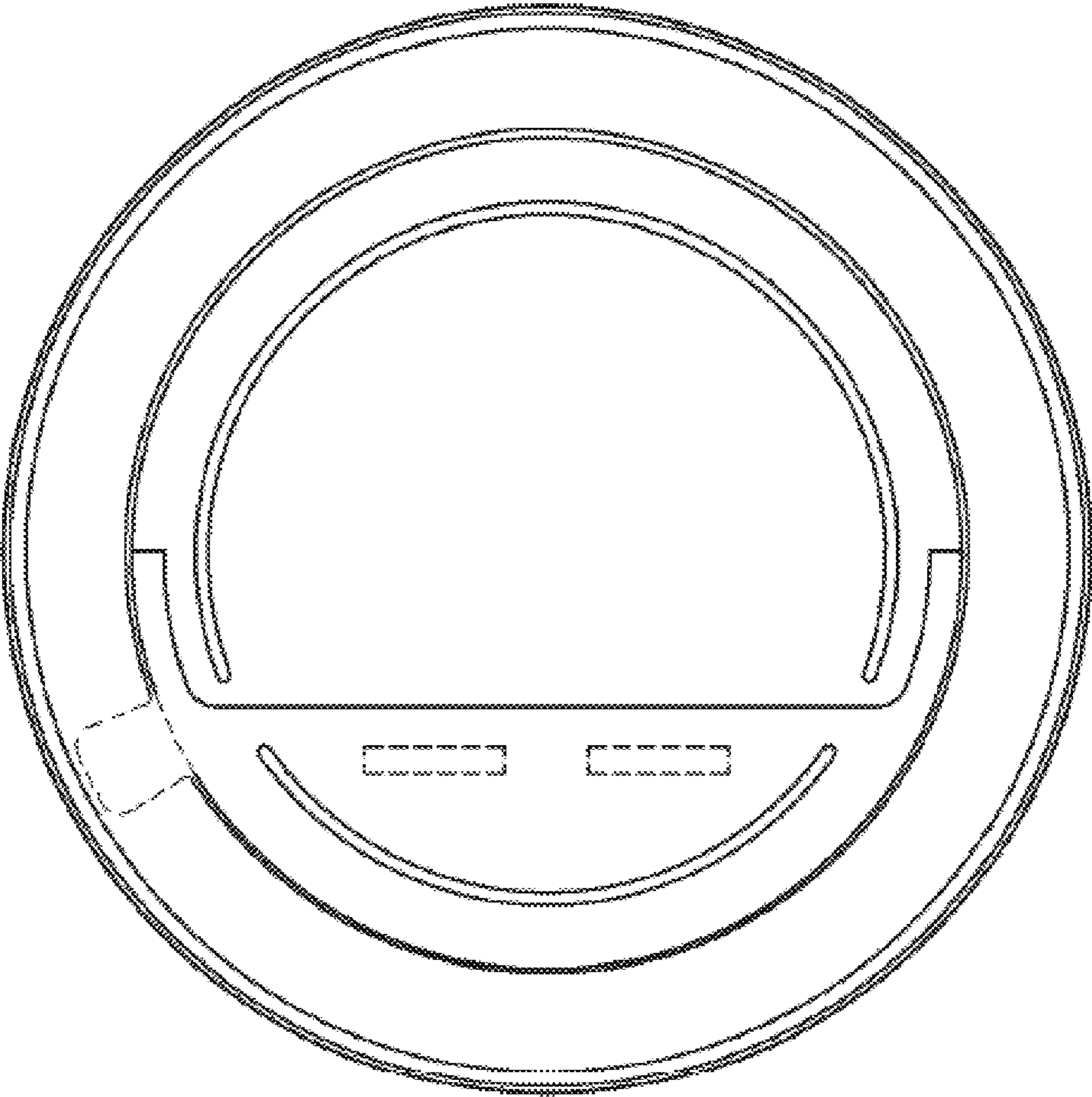


FIG. 7