



US00D764643S

(12) **United States Design Patent** (10) **Patent No.:** **US D764,643 S**  
**Nakabayashi et al.** (45) **Date of Patent:** **\*\* Aug. 23, 2016**

(54) **TOILET**

(71) Applicant: **TOTO, Ltd.**, Kitakyushu-shi, Fukuoka (JP)

(72) Inventors: **Hiroataka Nakabayashi**, Kitakyushu (JP); **Yuji Yoshioka**, Kitakyushu (JP); **Minoru Tani**, Kitakyushu (JP)

(73) Assignee: **TOTO, Ltd.**, Kitakyushu-shi, Fukuoka (JP)

(\*\*) Term: **14 Years**

(21) Appl. No.: **29/516,898**

(22) Filed: **Feb. 6, 2015**

(30) **Foreign Application Priority Data**

Aug. 7, 2014 (JP) ..... 2014-017272

(51) **LOC (10) Cl.** ..... **23-02**

(52) **U.S. Cl.**  
USPC ..... **D23/311**

(58) **Field of Classification Search**  
USPC ..... D23/311, 303, 295, 300-301  
CPC ..... A47K 13/00; A47K 13/24  
See application file for complete search history.

(56) **References Cited**

U.S. PATENT DOCUMENTS

D355,246 S *	2/1995	Kawamura	.....	D23/295
D620,568 S *	7/2010	Giovannoni	.....	D23/311
D688,359 S *	8/2013	Ogata	.....	D23/311
D704,316 S *	5/2014	Ishikawa	.....	D23/295
D704,317 S *	5/2014	Shinozaki	.....	D23/311

\* cited by examiner

*Primary Examiner* — Robert Delehanty

(74) *Attorney, Agent, or Firm* — Banner & Witcoff, Ltd.

(57) **CLAIM**

The ornamental design for a toilet, as shown and described.

**DESCRIPTION**

FIG. 1 is a perspective view of a toilet showing our new design;

FIG. 2 is a front view thereof;

FIG. 3 is a rear view thereof;

FIG. 4 is a left side view thereof;

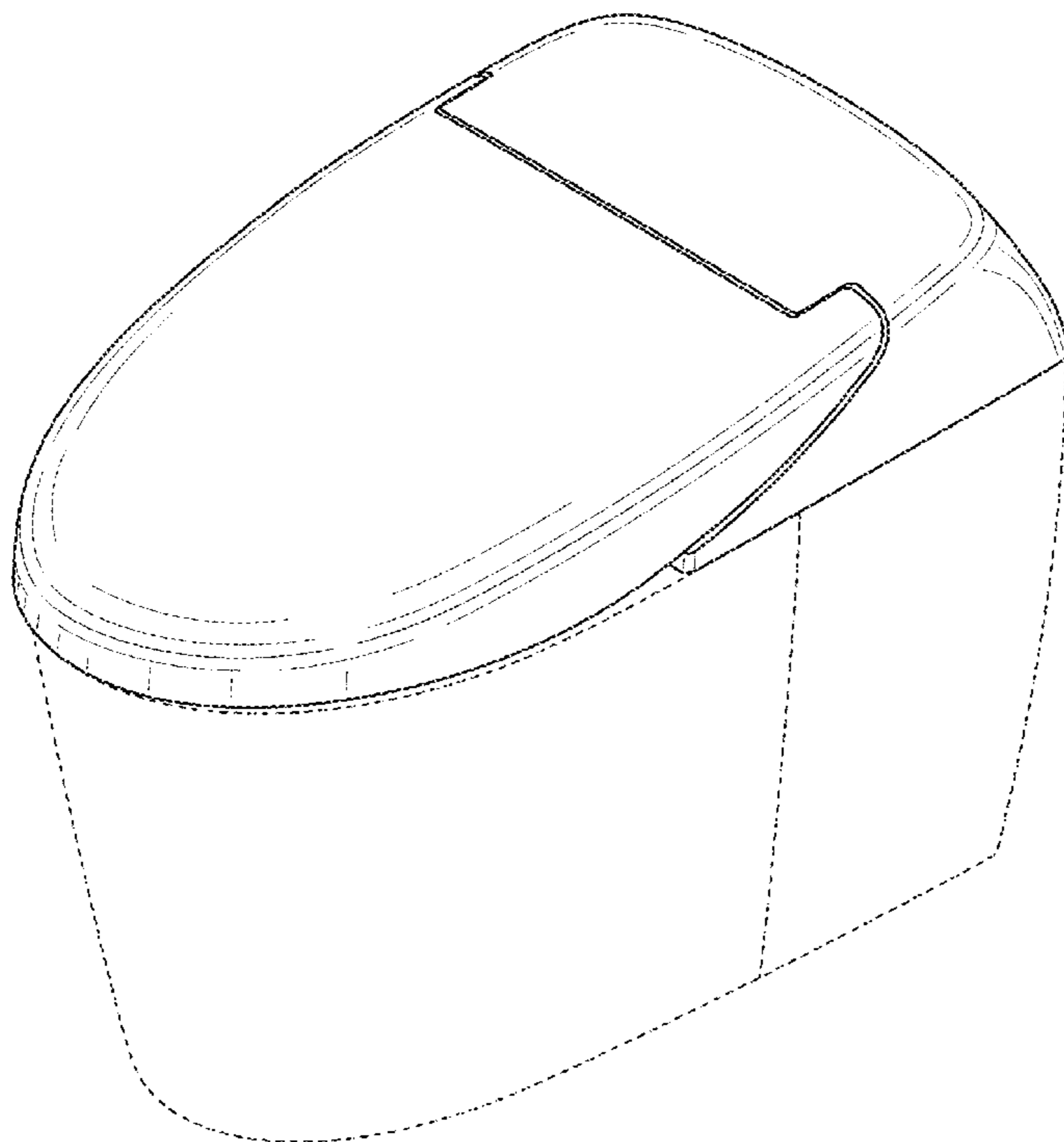
FIG. 5 is a right side view thereof;

FIG. 6 is a top view thereof; and,

FIG. 7 is a bottom view thereof.

The portions of the article in broken lines are shown for illustrative purposes only and form no part of the claimed design.

**1 Claim, 4 Drawing Sheets**



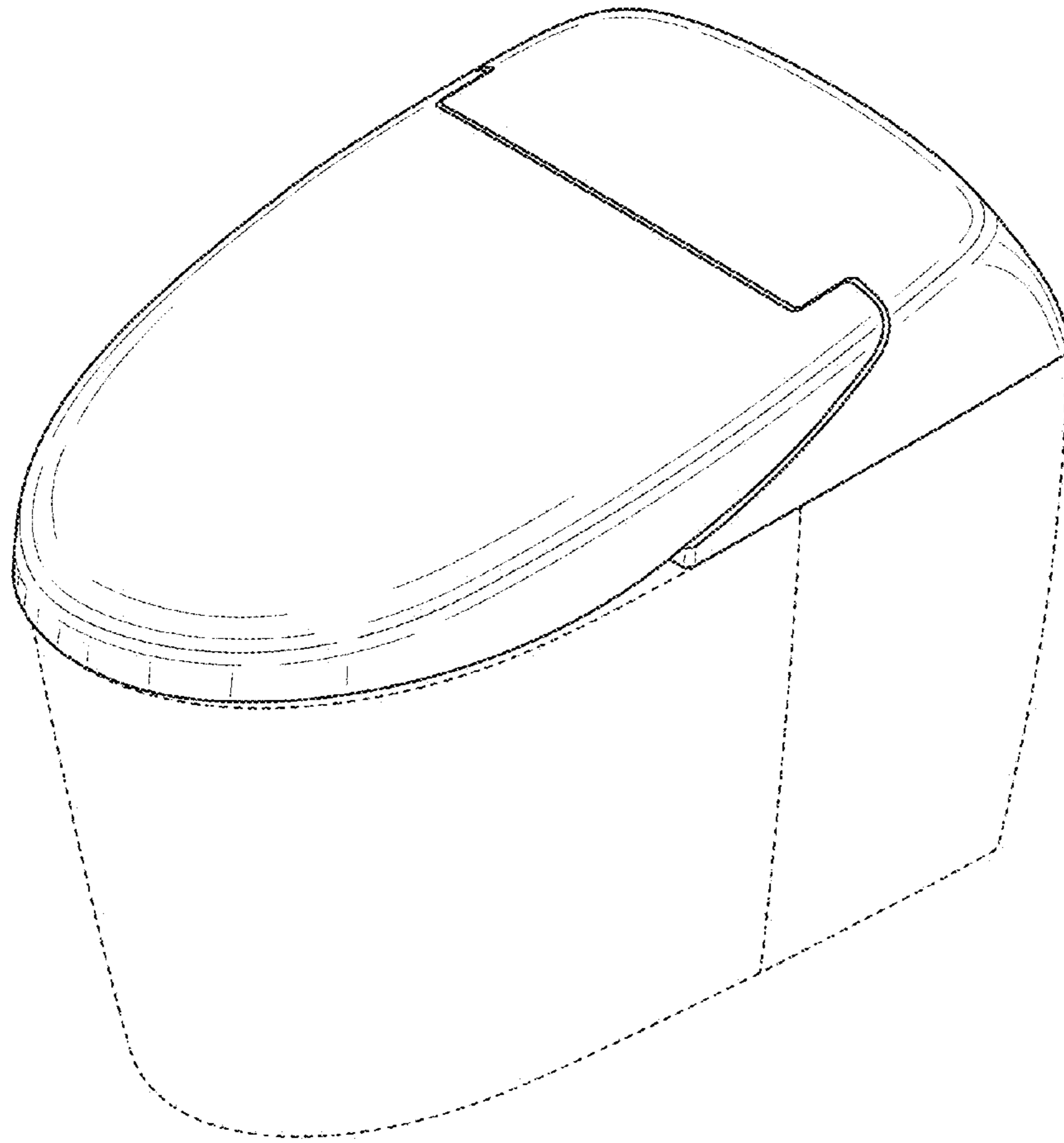


FIG. 1

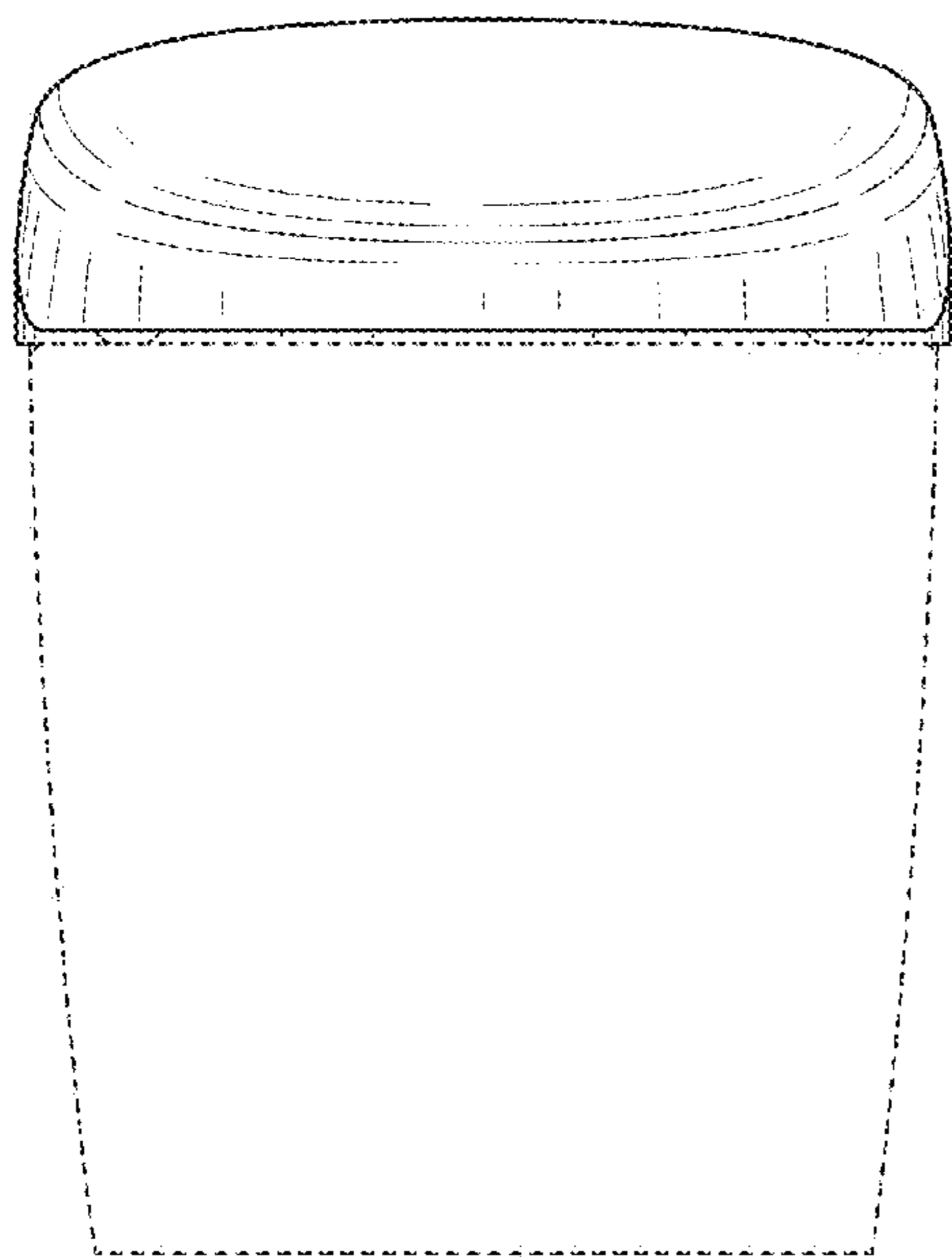


FIG. 2

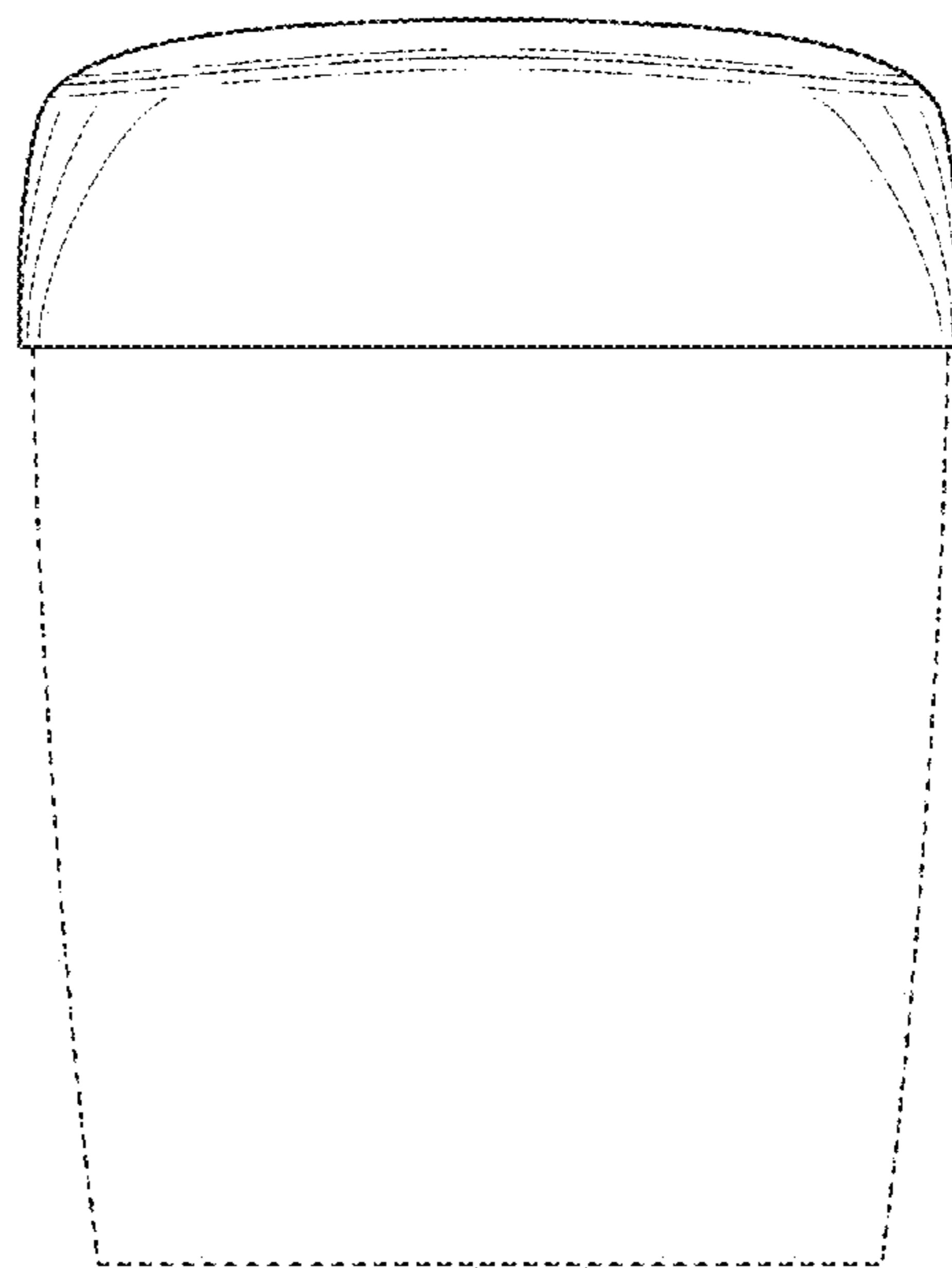


FIG. 3

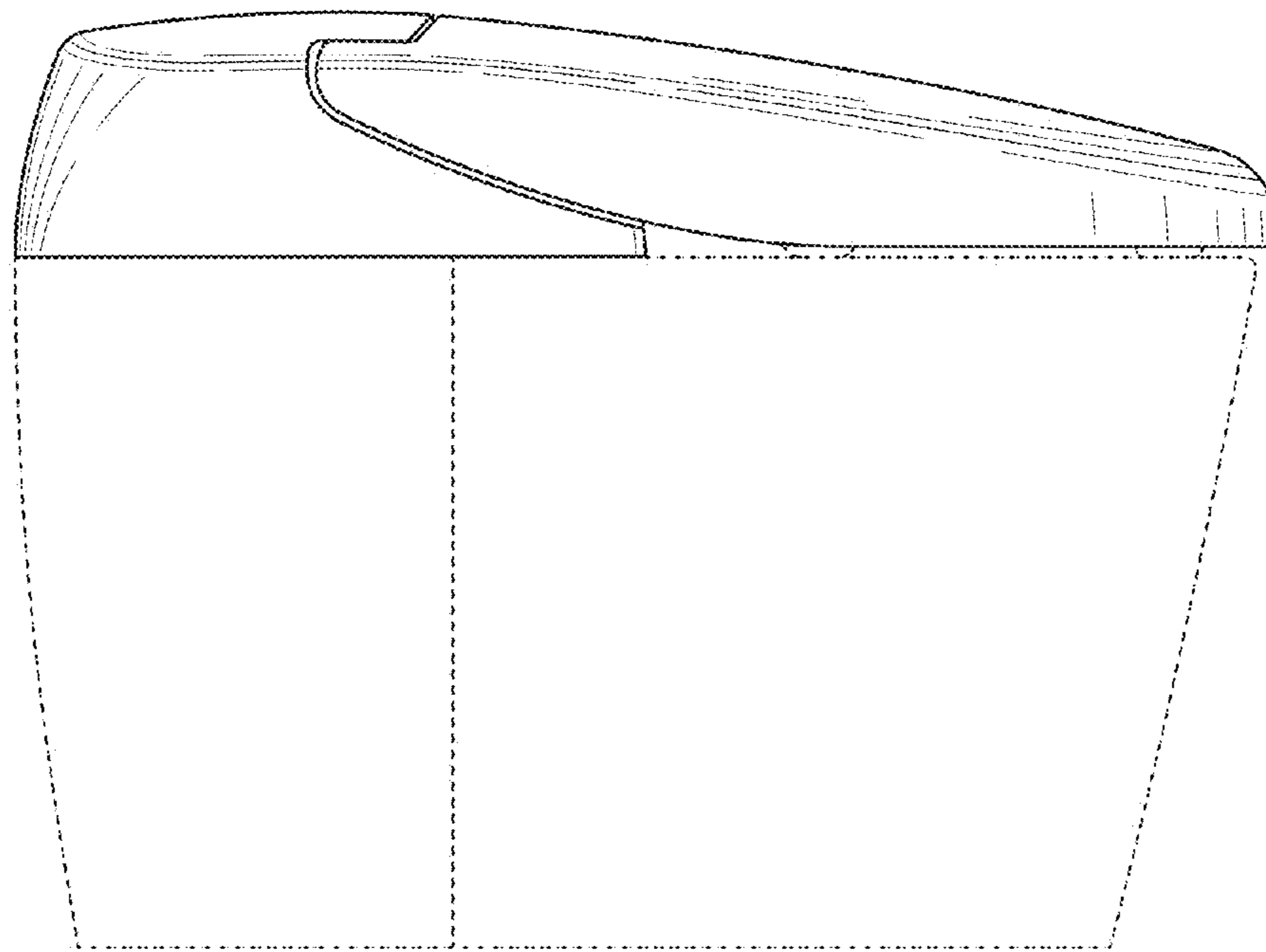


FIG. 4

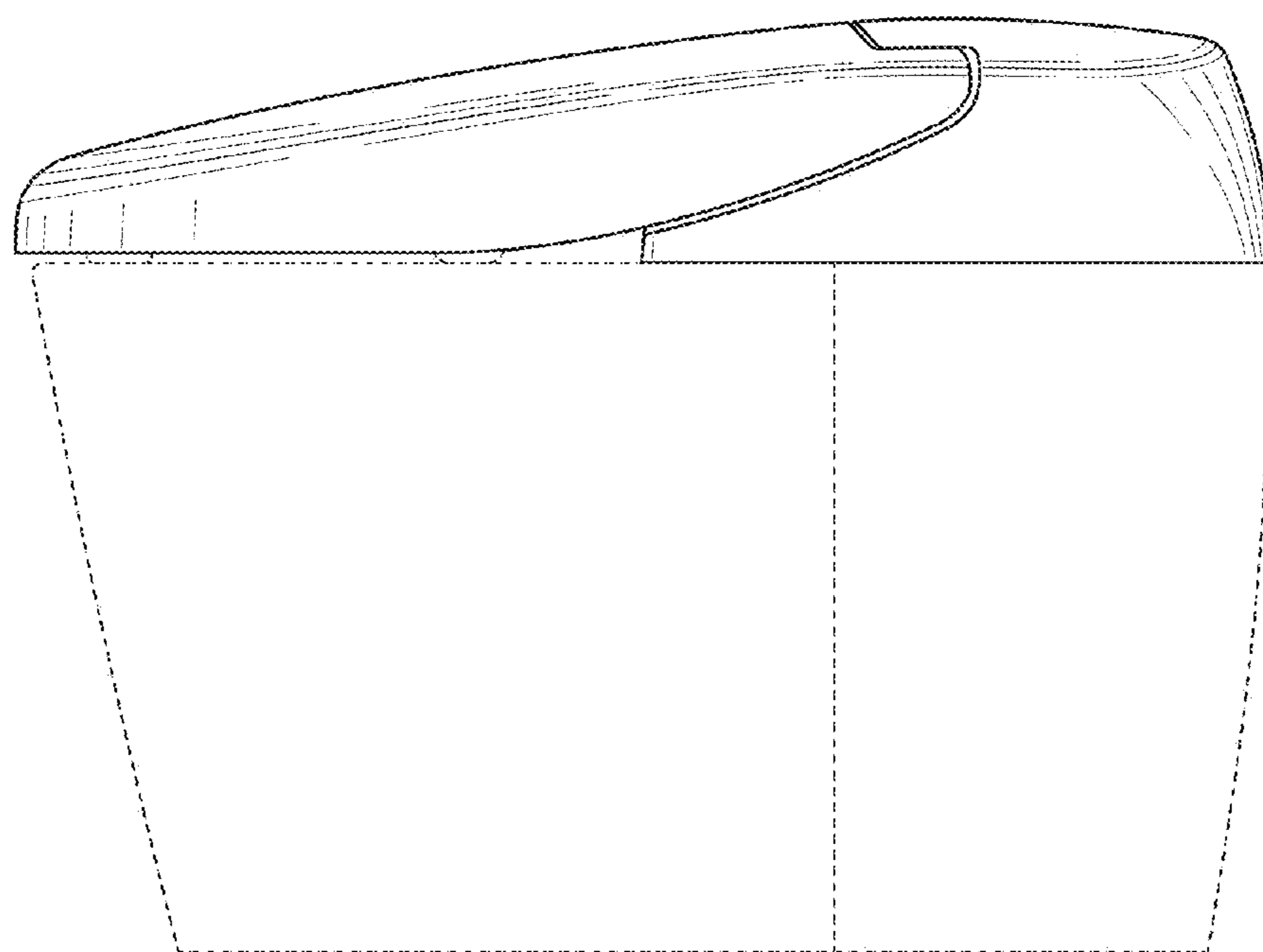


FIG. 5

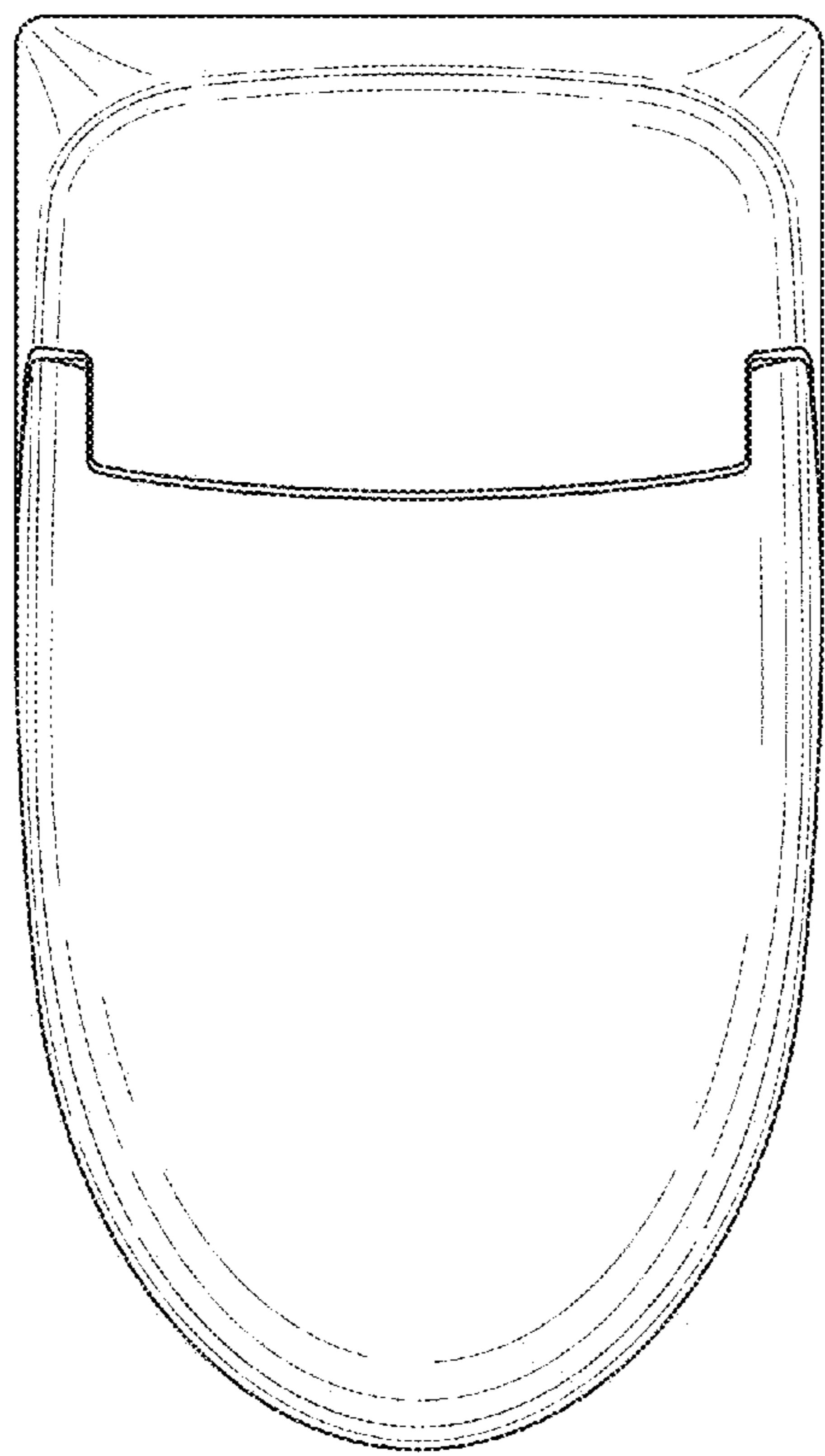


FIG. 6

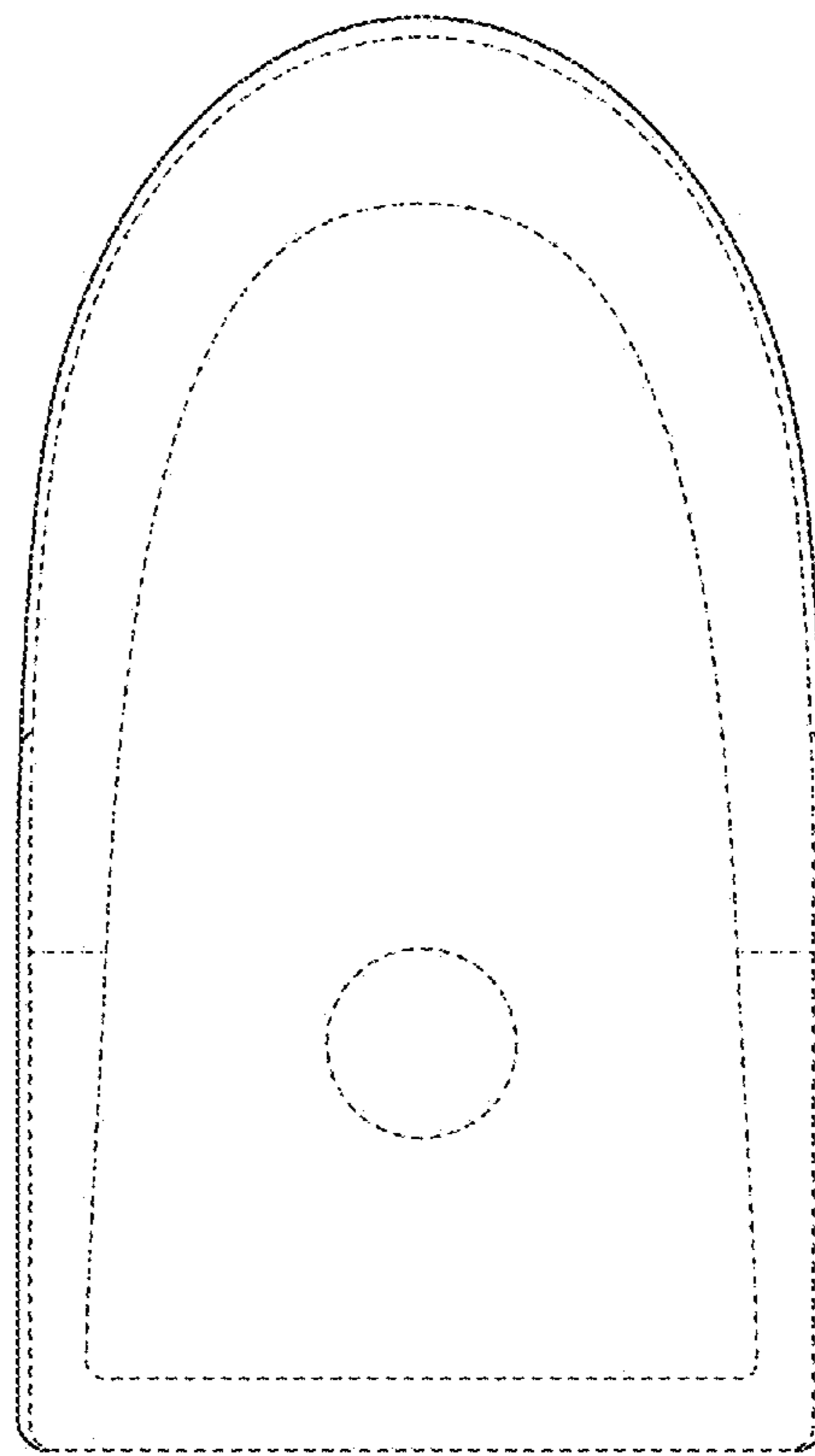


FIG. 7