



US00D764641S

(12) **United States Design Patent**  
**Papafagos et al.**

(10) **Patent No.:** **US D764,641 S**

(45) **Date of Patent:** **\*\* Aug. 23, 2016**

- (54) **NINETY DEGREE GLADHAND**
- (71) Applicant: **Tectran Mfg. Inc.**, Cheektowaga, NY (US)
- (72) Inventors: **James C. Papafagos**, North Java, NY (US); **Jeffrey D. McKeown**, Banner Elk, NC (US); **Bruce D. McKie**, Oakville (CA)
- (73) Assignee: **Tectran Mfg. Inc.**, Cheektowaga, NY (US)
- (\*\*) Term: **14 Years**
- (21) Appl. No.: **29/499,654**
- (22) Filed: **Aug. 18, 2014**
- (51) **LOC (10) Cl.** ..... **23-01**
- (52) **U.S. Cl.**  
USPC ..... **D23/262**
- (58) **Field of Classification Search**  
USPC ..... D23/259–263, 266–269, 233; 251/215, 251/216; 285/369, 372, 373, 417, 133.11, 285/133.3, 133.21, 133.4, 133.5, 133.6; 137/247, 247.41, 247.51  
CPC ..... F16L 11/00; F16L 37/252; F16L 41/007; E03C 1/26; E03C 1/262; E03C 1/28; E03F 5/04; A61B 5/00; A61M 25/09016  
See application file for complete search history.

- 4,109,673 A \* 8/1978 Horowitz ..... B60T 17/043 137/381
- 4,366,965 A \* 1/1983 Rhodes ..... B60D 1/62 137/351
- 5,240,271 A \* 8/1993 Hart ..... B60T 17/043 137/102
- 7,021,334 B1 \* 4/2006 Helmer ..... B60D 1/64 137/615
- D693,443 S \* 11/2013 Puluc ..... D23/262

\* cited by examiner

*Primary Examiner* — Sandra Snapp

(74) *Attorney, Agent, or Firm* — David C. Robertson; Verrill Dana, LLP

(57) **CLAIM**

We claim the ornamental design for a ninety degree gladhand, as shown and described.

**DESCRIPTION**

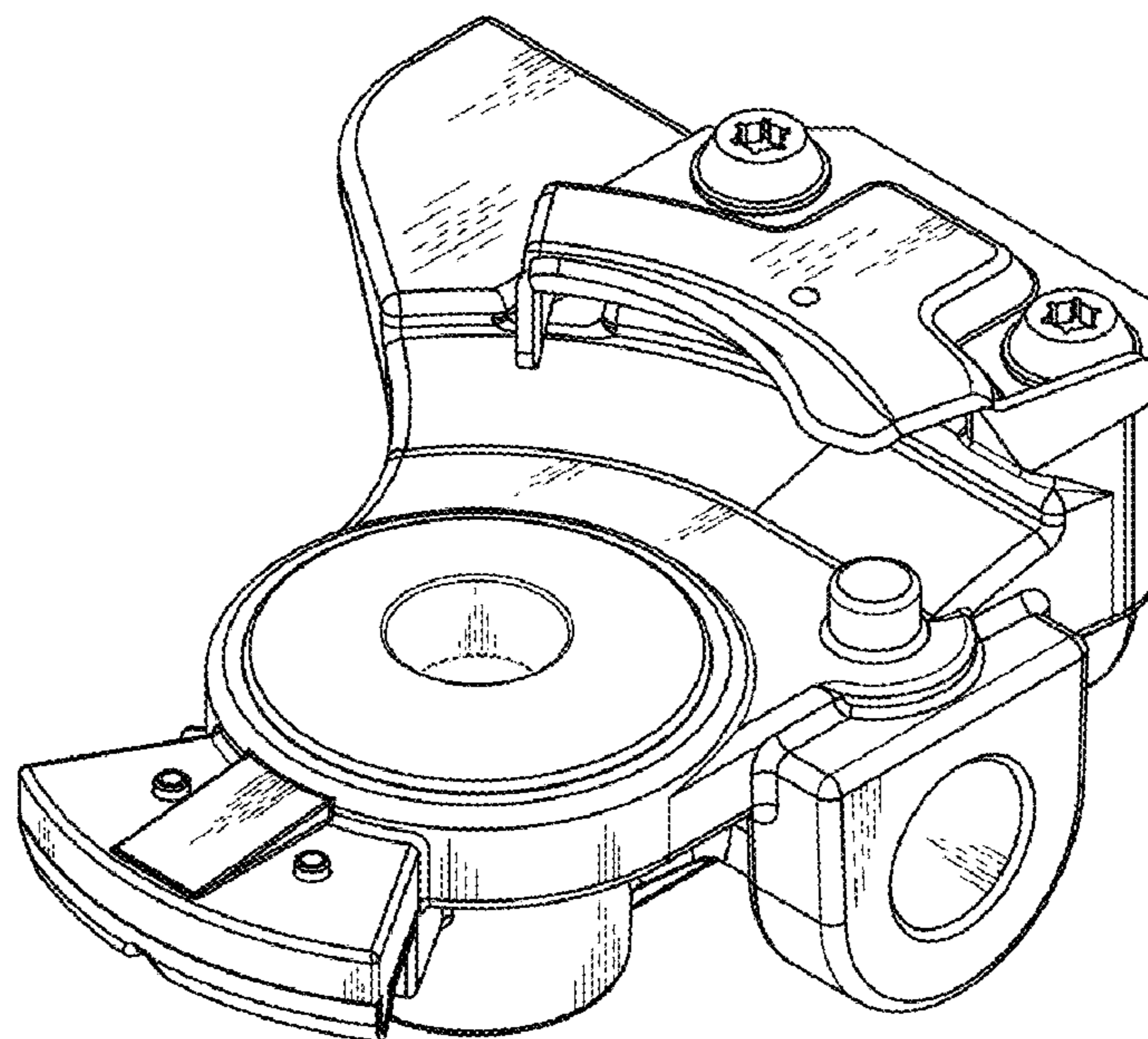
FIG. 1 is a perspective view of the ninety degree gladhand showing the new design.  
 FIG. 2 is a front elevation view thereof.  
 FIG. 3 is a rear elevation view thereof.  
 FIG. 4 is a left side elevation view thereof.  
 FIG. 5 is a right side elevation view thereof.  
 FIG. 6 is a top plan view thereof.  
 FIG. 7 is a bottom plan view thereof; and,  
 FIG. 8 is a front elevation view as shown in FIG. 2 and showing detail in the area indicated.  
 The broken lines in the drawing figures depict portions of the ninety degree gladhand for illustrative purposes only, and form no part of the claimed design.

(56) **References Cited**

**U.S. PATENT DOCUMENTS**

- 3,554,230 A \* 1/1971 Berg ..... F16L 37/256 137/614.04
- D224,107 S \* 7/1972 Mastis ..... D23/263

**1 Claim, 3 Drawing Sheets**



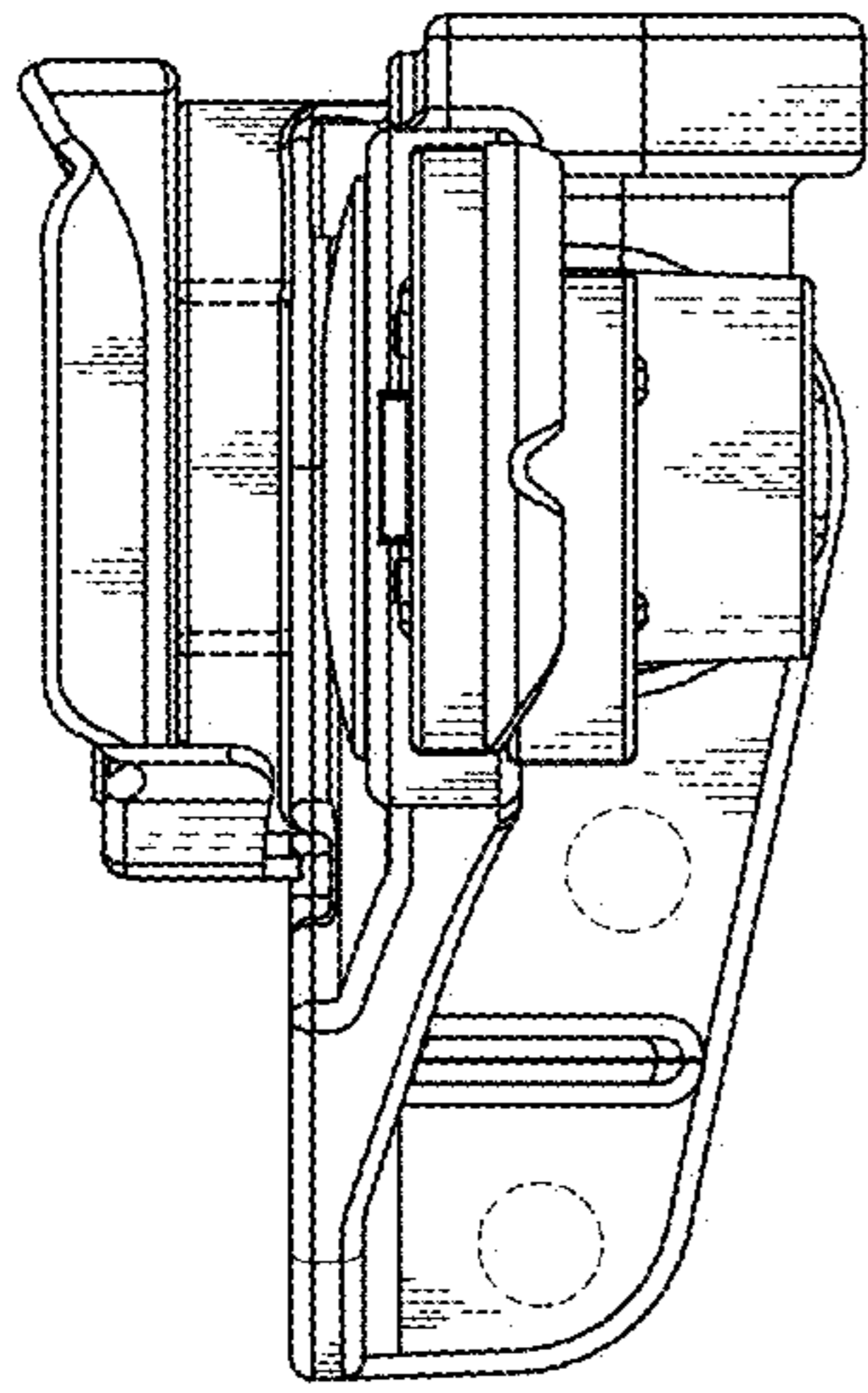


FIG. 2

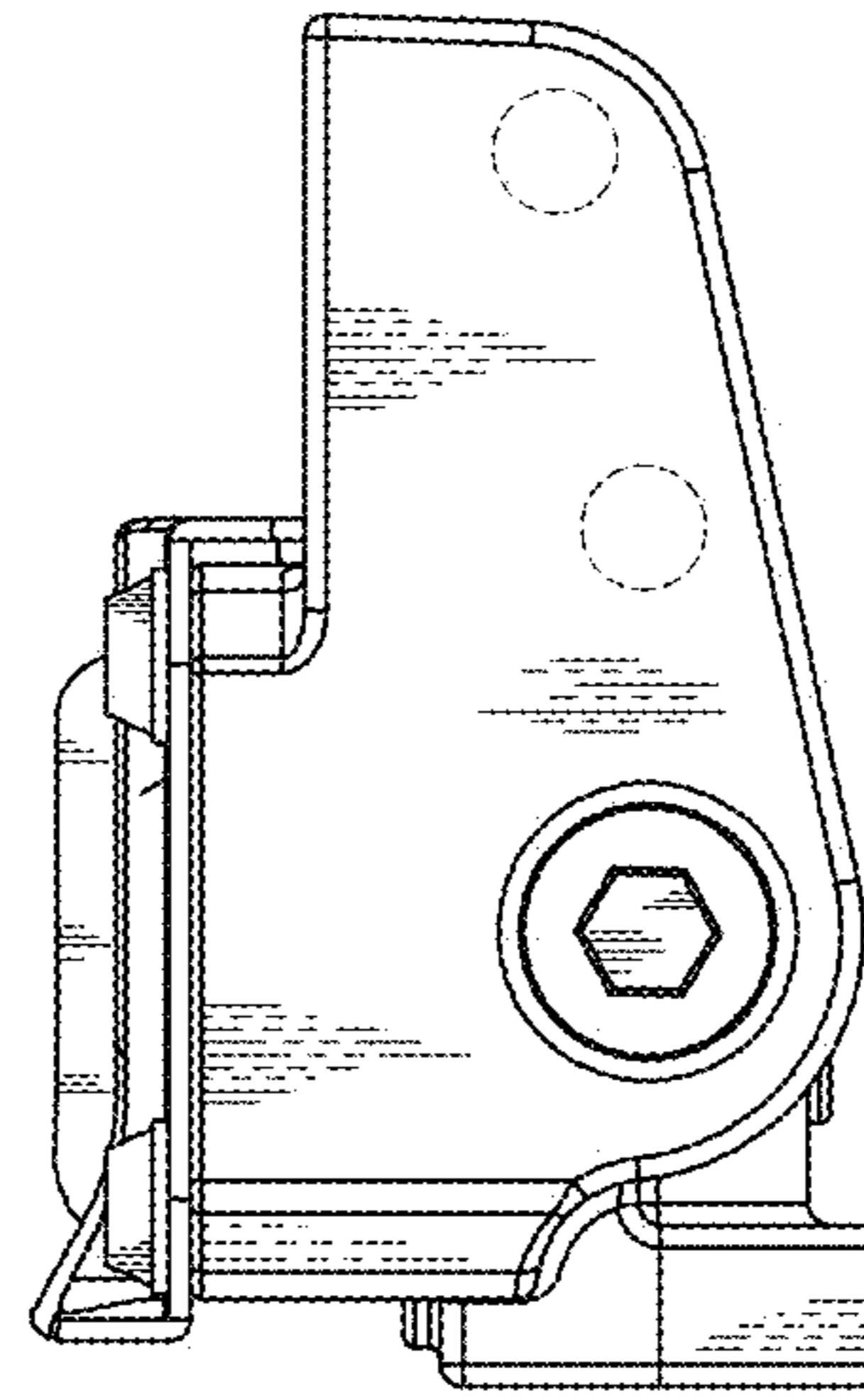


FIG. 3

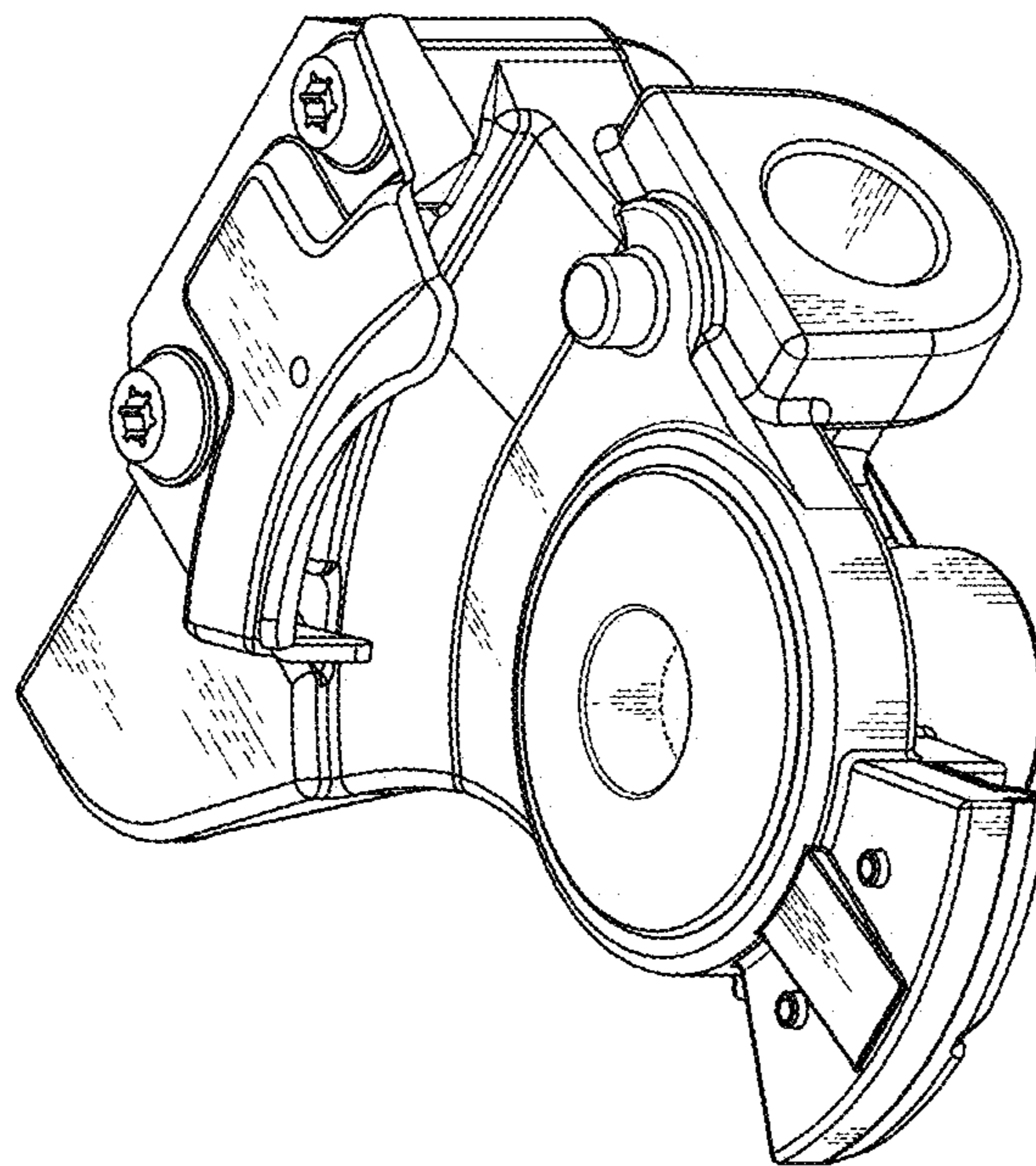
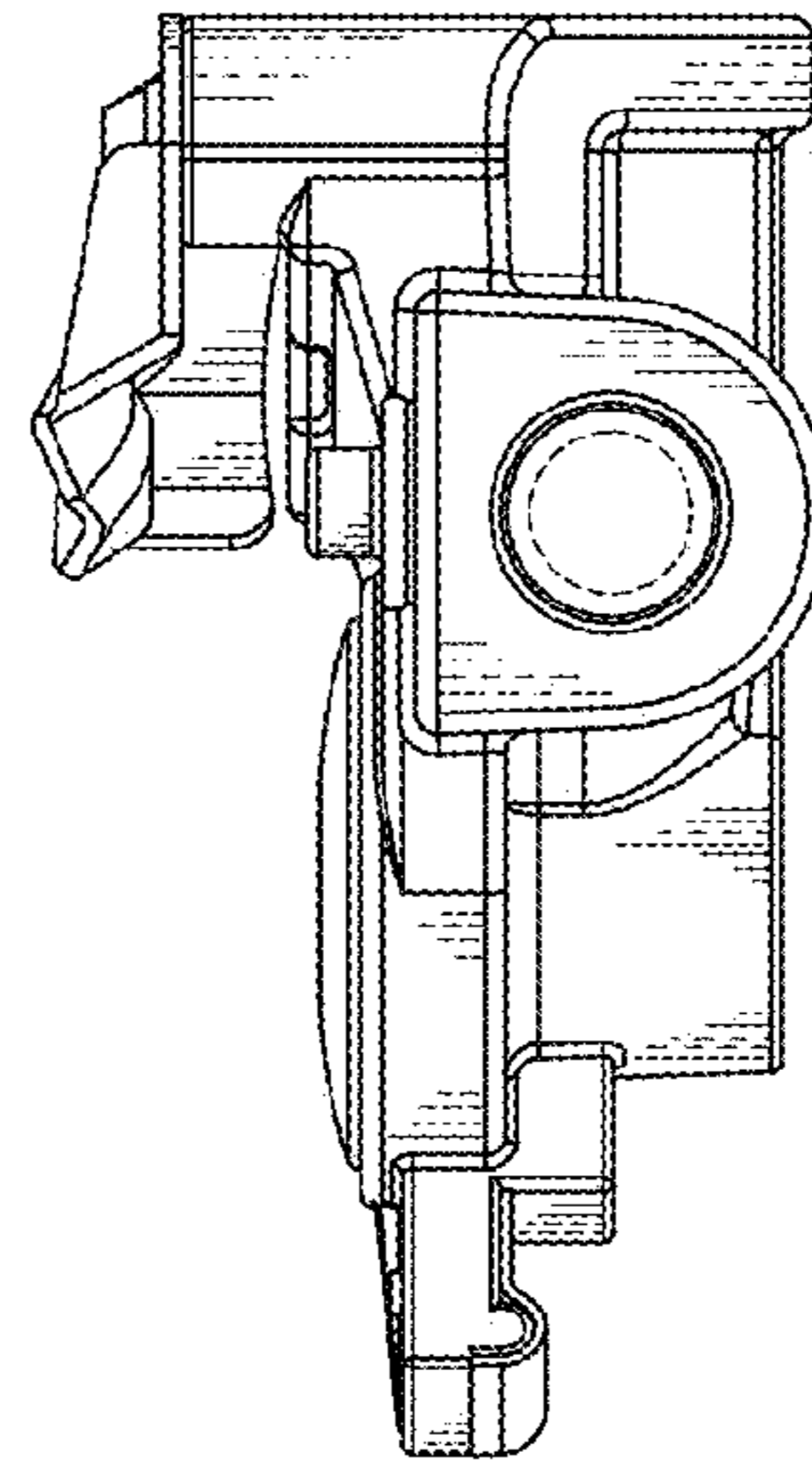
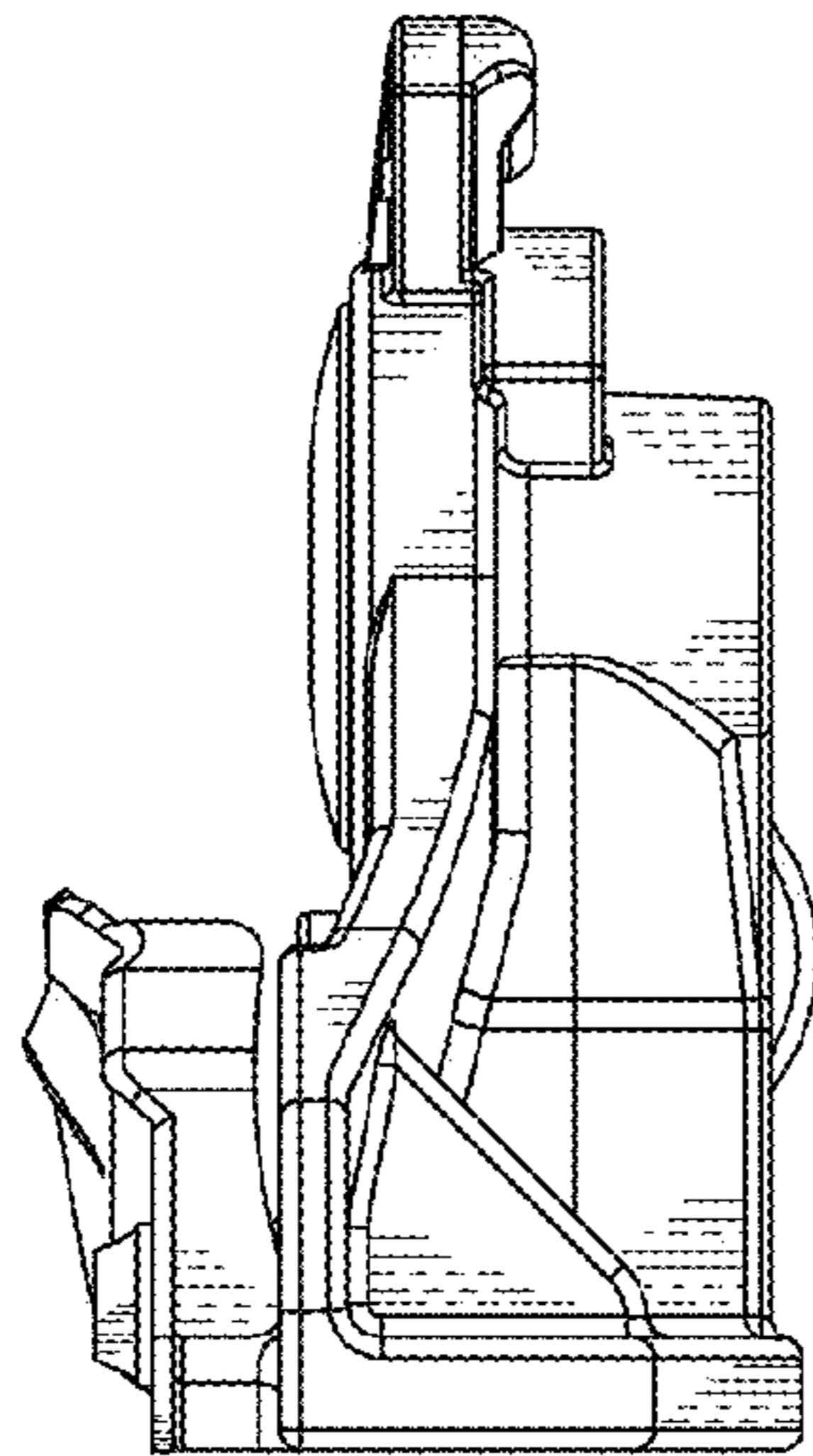
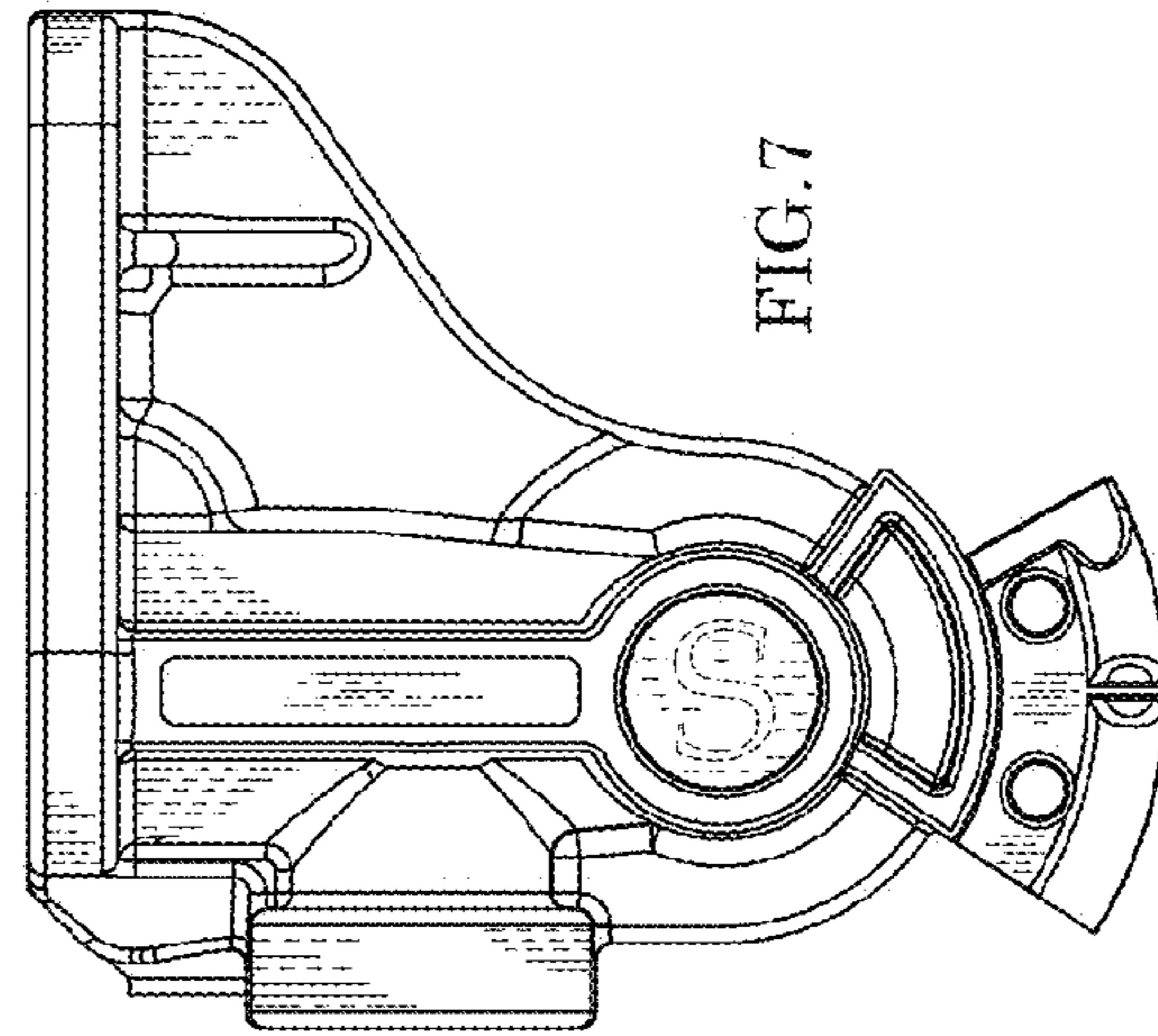
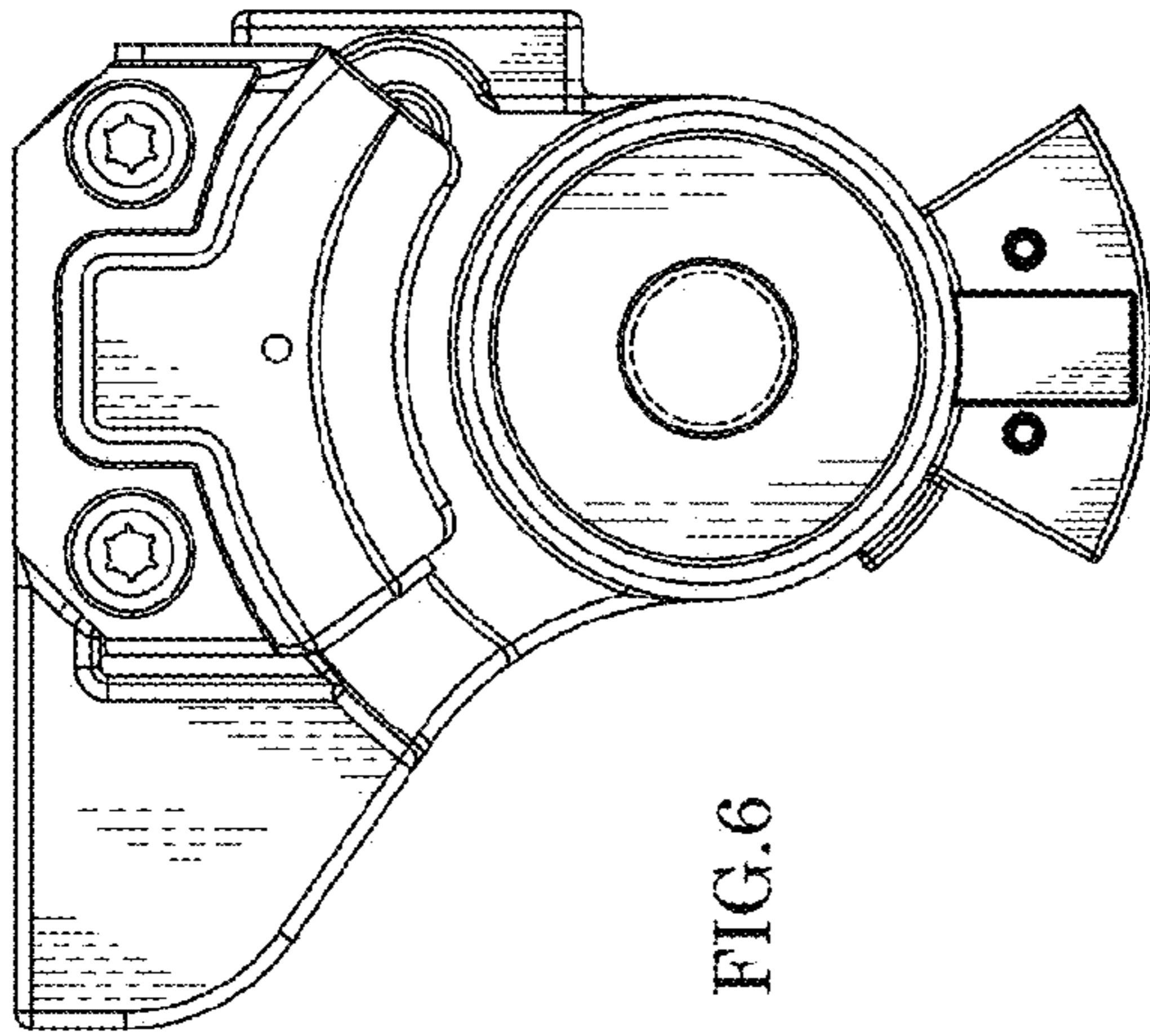


FIG. 1



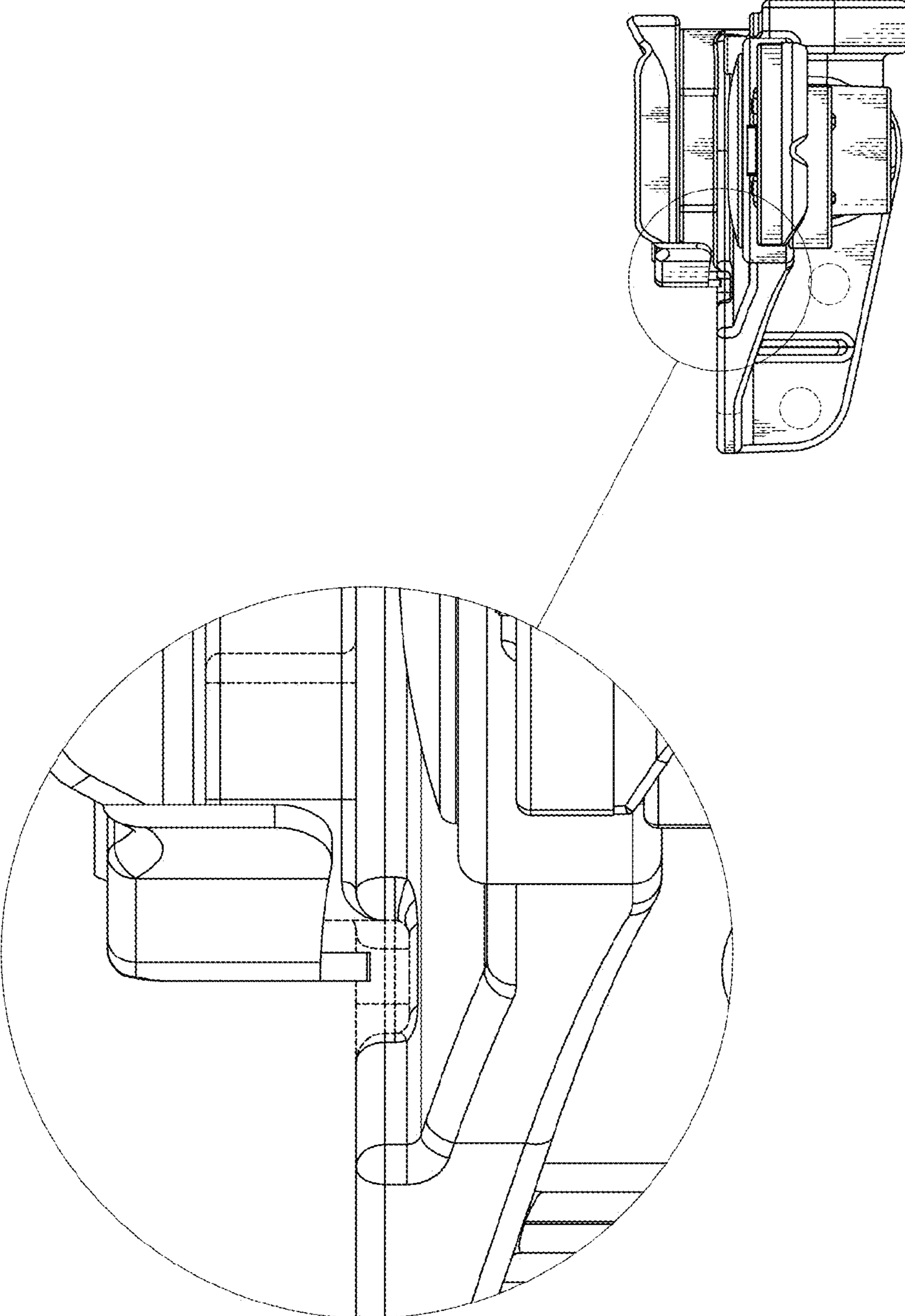


FIG.8