



US00D764639S

(12) **United States Design Patent**  
**Garland**

(10) **Patent No.:** **US D764,639 S**

(45) **Date of Patent:** **\*\* Aug. 23, 2016**

(54) **FAUCET HANDLE**

(71) Applicant: **Delta Faucet Company**, Indianapolis, IN (US)

(72) Inventor: **Celine Kwok Garland**, Zionsville, IN (US)

(73) Assignee: **DELTA FAUCET COMPANY**, Indianapolis, IN (US)

(\*\*) Term: **15 Years**

(21) Appl. No.: **29/531,329**

(22) Filed: **Jun. 25, 2015**

(51) **LOC (10) Cl.** ..... **23-02**

(52) **U.S. Cl.**

USPC ..... **D23/252**; D23/254

(58) **Field of Classification Search**

USPC ..... D23/238, 241-243, 249, 250, 252, 254

CPC ..... E03C 1/04; E03C 1/0401; E03C 1/0402;  
E03C 1/0404

See application file for complete search history.

(56) **References Cited**

**U.S. PATENT DOCUMENTS**

D685,882 S \* 7/2013 Garland ..... D23/252

D711,512 S \* 8/2014 Lai ..... D23/252

D718,839 S \* 12/2014 Garland ..... D23/252

D718,840 S \* 12/2014 Garland ..... D23/252

D718,841 S \* 12/2014 Garland ..... D23/252

\* cited by examiner

*Primary Examiner* — Robert Delehanty

(74) *Attorney, Agent, or Firm* — Edgar A. Zarins; Nirav D. Parikh

(57) **CLAIM**

The ornamental design for a faucet handle, as shown and described.

**DESCRIPTION**

FIG. 1 is a perspective view of a faucet handle showing my new design;

FIG. 2 is a top plan view thereof;

FIG. 3 is a first side view thereof, the opposite side being a mirror image of the side shown;

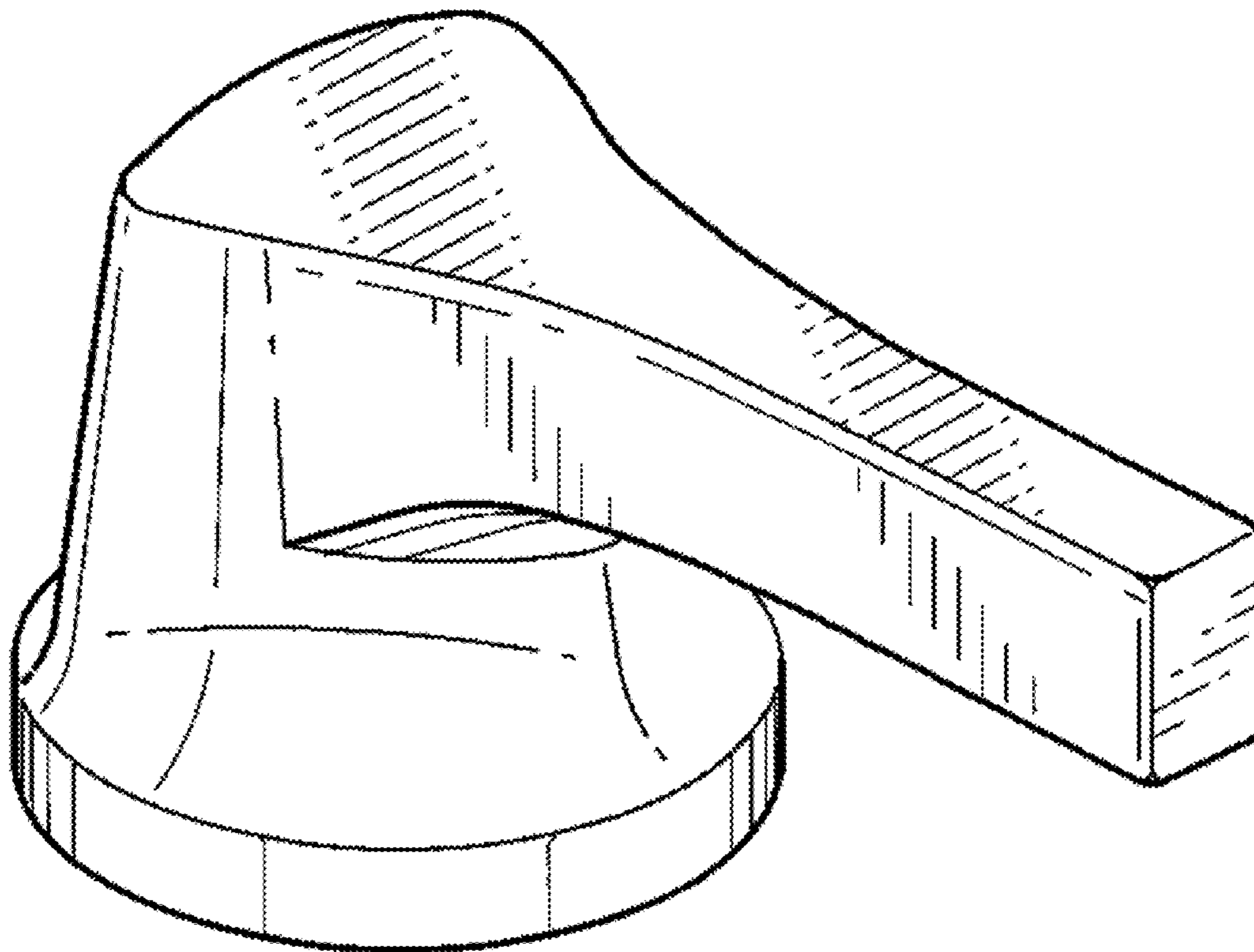
FIG. 4 is a bottom view thereof;

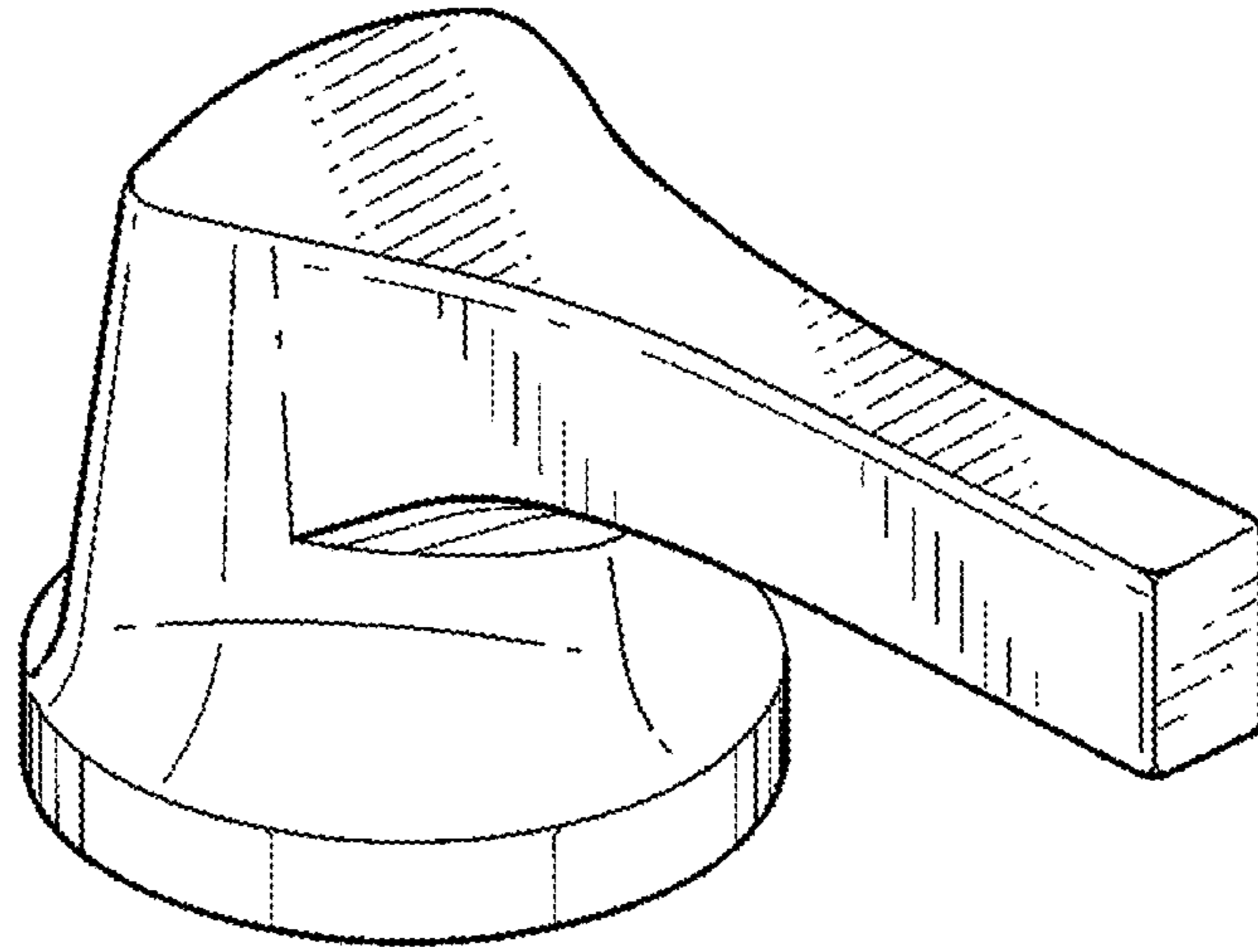
FIG. 5 is a first end view thereof; and,

FIG. 6 is a second end view thereof.

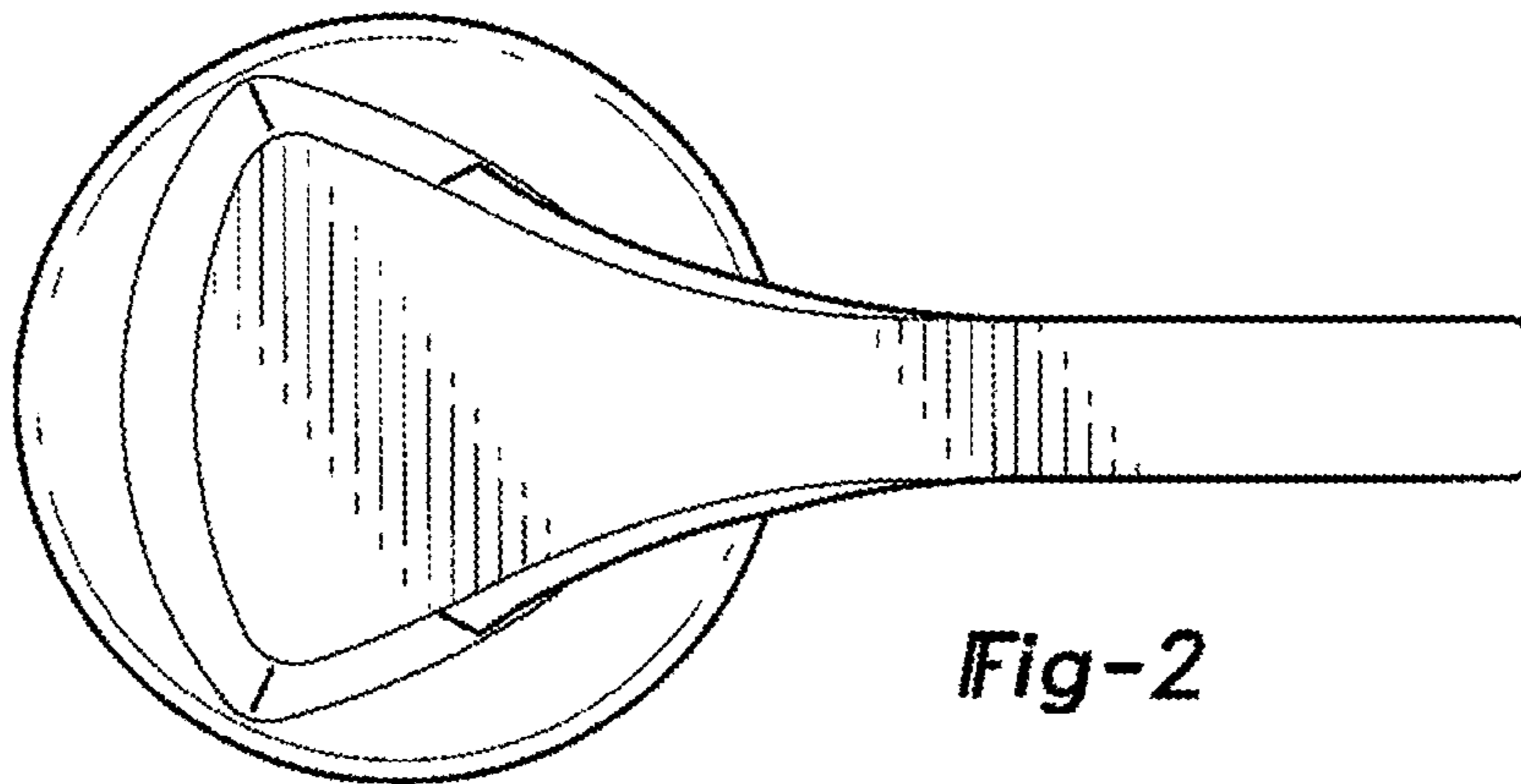
The broken line showing a portion of faucet handle forms no part of the claimed design.

**1 Claim, 2 Drawing Sheets**

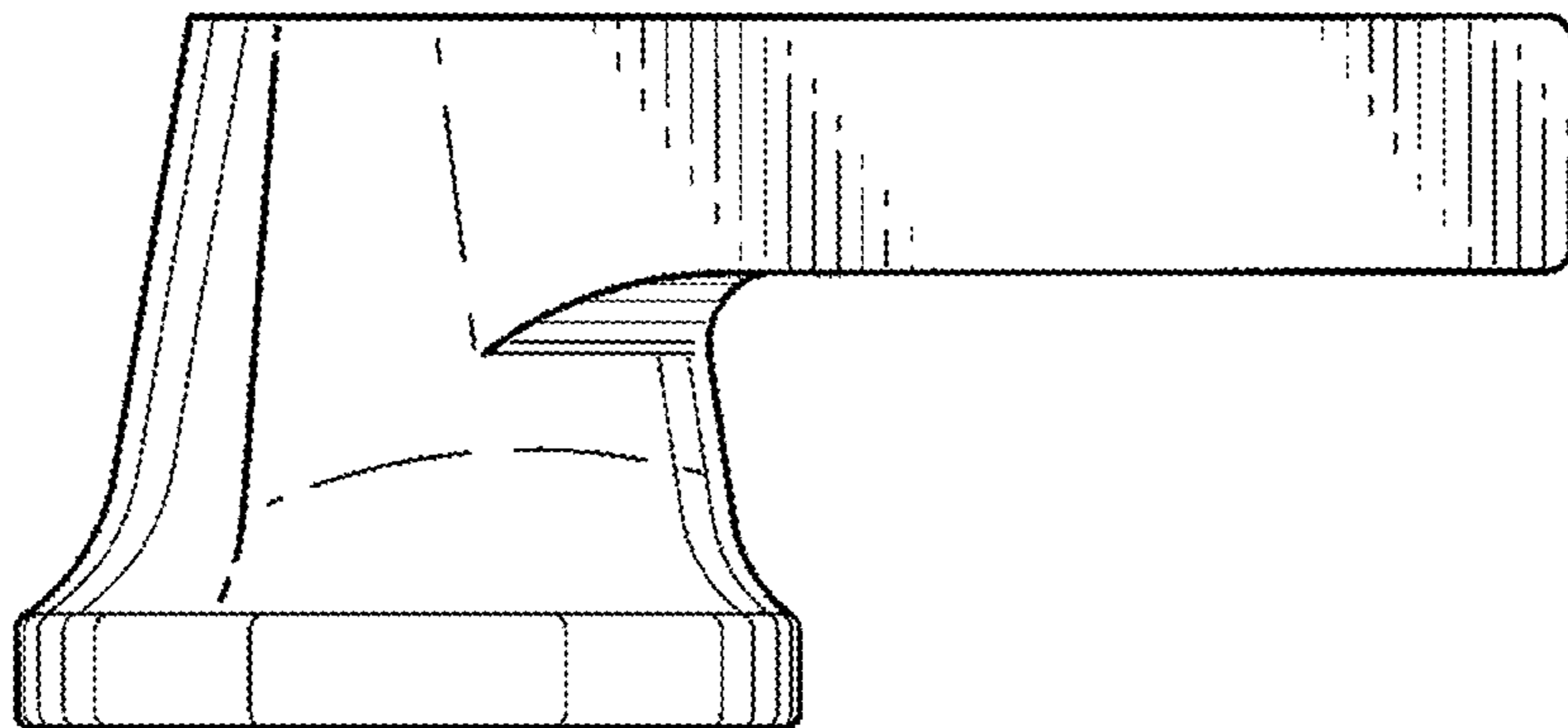




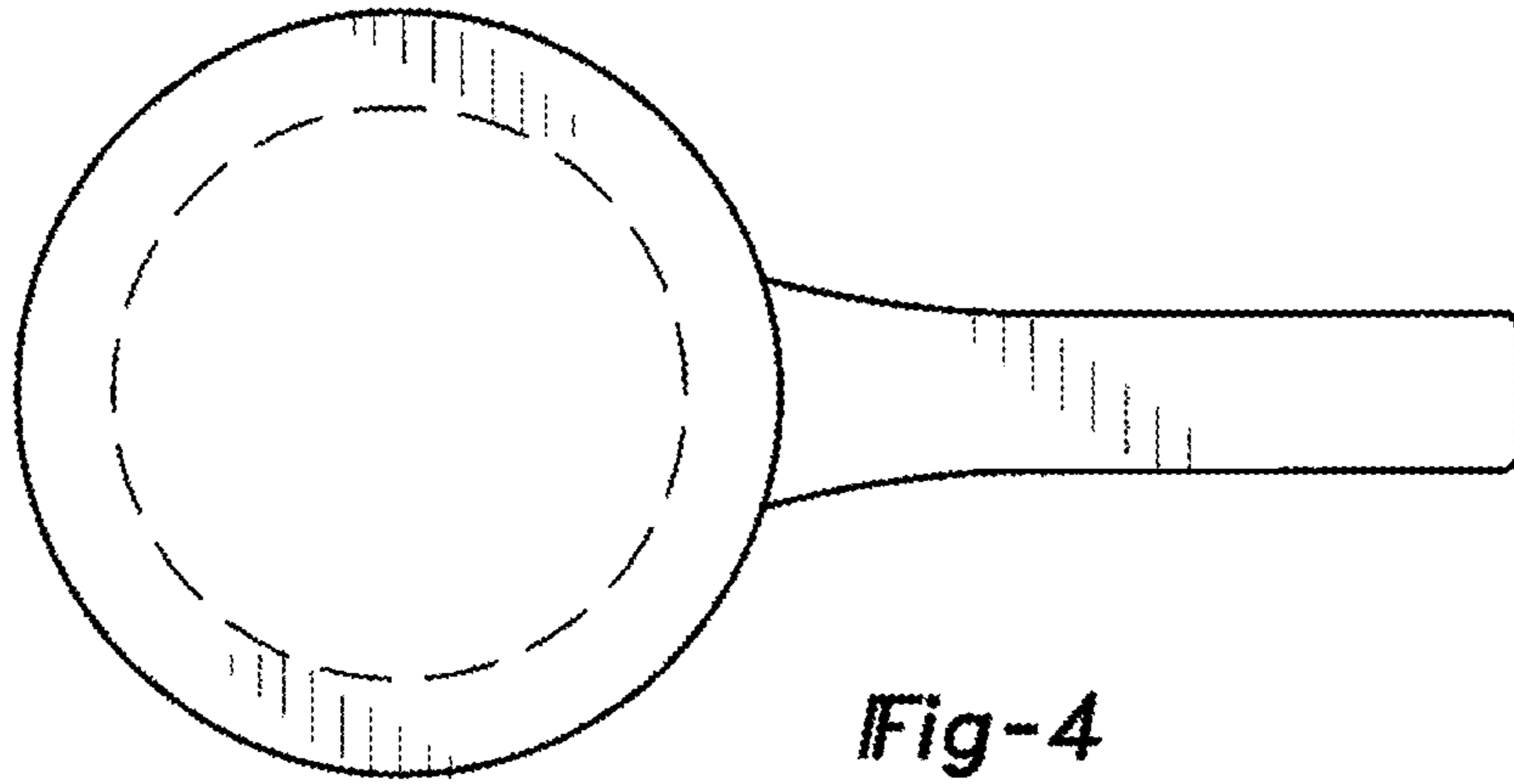
*Fig-1*



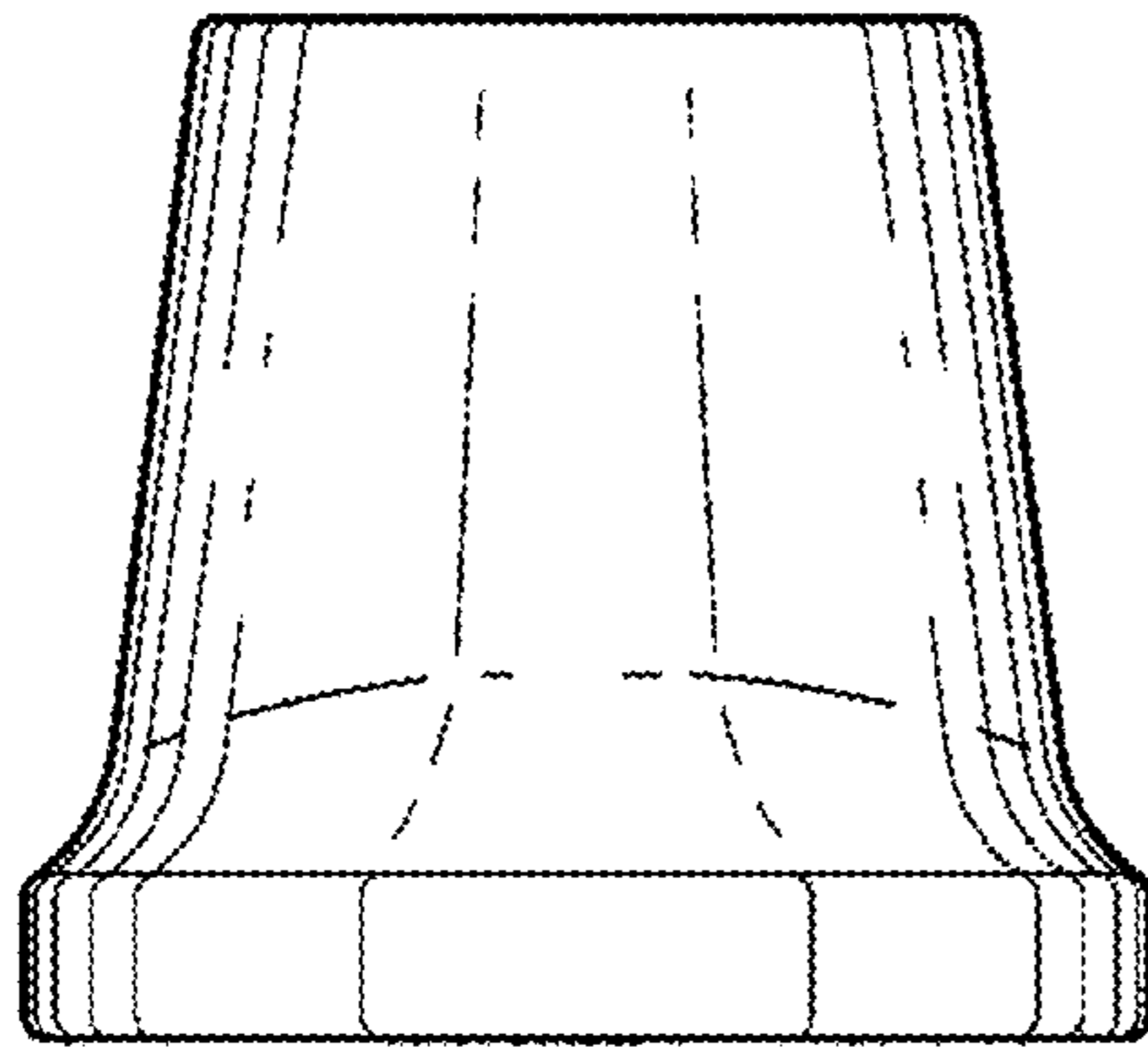
*Fig-2*



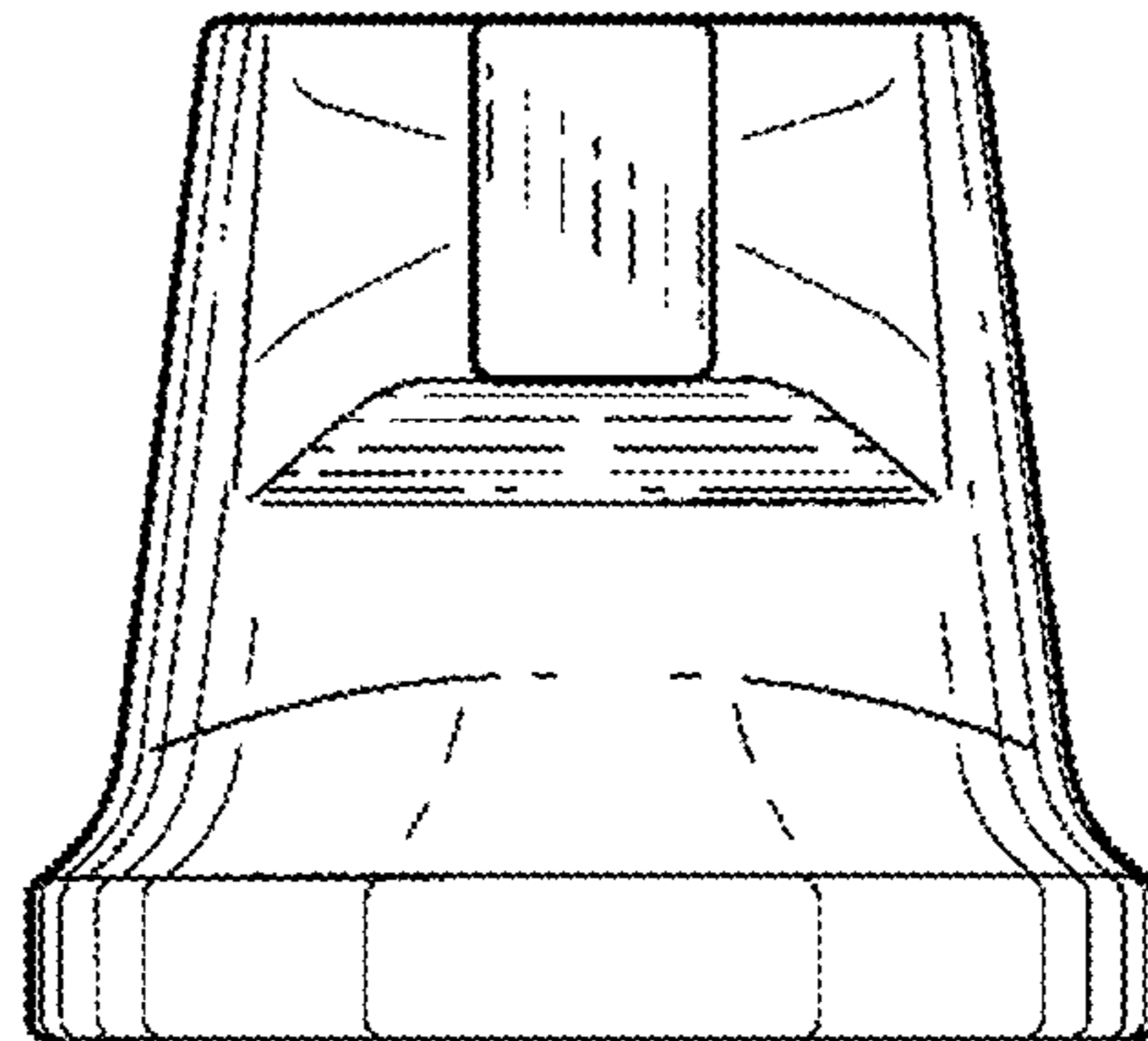
*Fig-3*



*Fig-4*



*Fig-5*



*Fig-6*