



US00D764638S

(12) **United States Design Patent**
Schramski et al.

(10) **Patent No.:** **US D764,638 S**
(45) **Date of Patent:** **** Aug. 23, 2016**

(54) **MOLDED CONNECTION PANEL**

(71) Applicant: **B&B Molders, LLC**, Mishawaka, IN (US)

(72) Inventors: **Adam Schramski**, Mishawaka, IN (US); **Michael Dittrich**, Granger, IN (US); **Brad Murphey**, Osceola, IN (US)

(73) Assignee: **B&B Molders, LLC**, Mishawaka, IN (US)

(**) Term: **15 Years**

(21) Appl. No.: **29/532,069**

(22) Filed: **Jul. 1, 2015**

(51) **LOC (10) Cl.** **23-01**

(52) **U.S. Cl.**
USPC **D23/249**

(58) **Field of Classification Search**
USPC D23/249, 269, 304; 206/557, 561, 564, 206/563, 541, 503, 322, 567; 220/574, 737, 220/780, 574.1; 426/115, 72, 107, 74, 87; D14/432, 434, 439, 447, 300, 451; D13/137.1-139.8; 29/428; 137/360, 137/382, 377, 454.5
CPC E03C 1/021; E03C 1/12; E03C 2001/028; E03C 1/042; E03C 1/1222; F16L 5/14; F16L 5/00

See application file for complete search history.

(56) **References Cited**

U.S. PATENT DOCUMENTS

D362,244 S * 9/1995 Takemasa D14/451
D409,589 S * 5/1999 Rorke D14/451

D470,849 S * 2/2003 Bertagnole D14/434
D585,397 S * 1/2009 Hwang D14/130
D592,738 S * 5/2009 Paroonagian D23/304
D657,795 S * 4/2012 Smith D14/447
D660,305 S * 5/2012 Ho D14/447
D663,732 S * 7/2012 Desmarais D14/434
D678,287 S * 3/2013 Hsu D14/434
2012/0273064 A1 * 11/2012 Ismert F16L 5/10
137/360
2015/0026946 A1 * 1/2015 Ben Jacov F16L 5/10
29/428
2015/0259891 A1 * 9/2015 Ismert E03C 1/12
137/360

* cited by examiner

Primary Examiner — Cynthia Ramirez

Assistant Examiner — Gino Colan

(74) *Attorney, Agent, or Firm* — Barnes & Thornburg LLP

(57) **CLAIM**

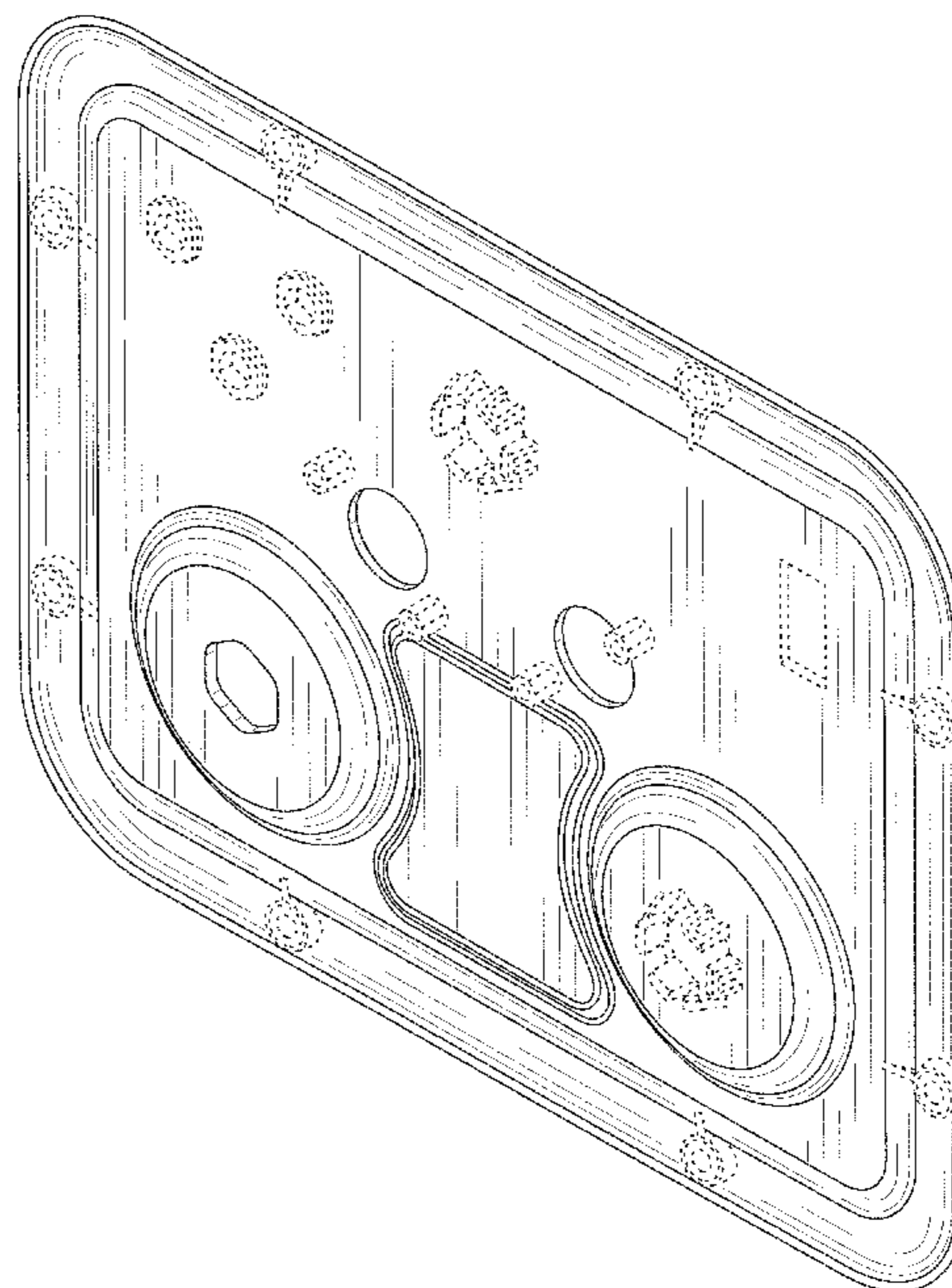
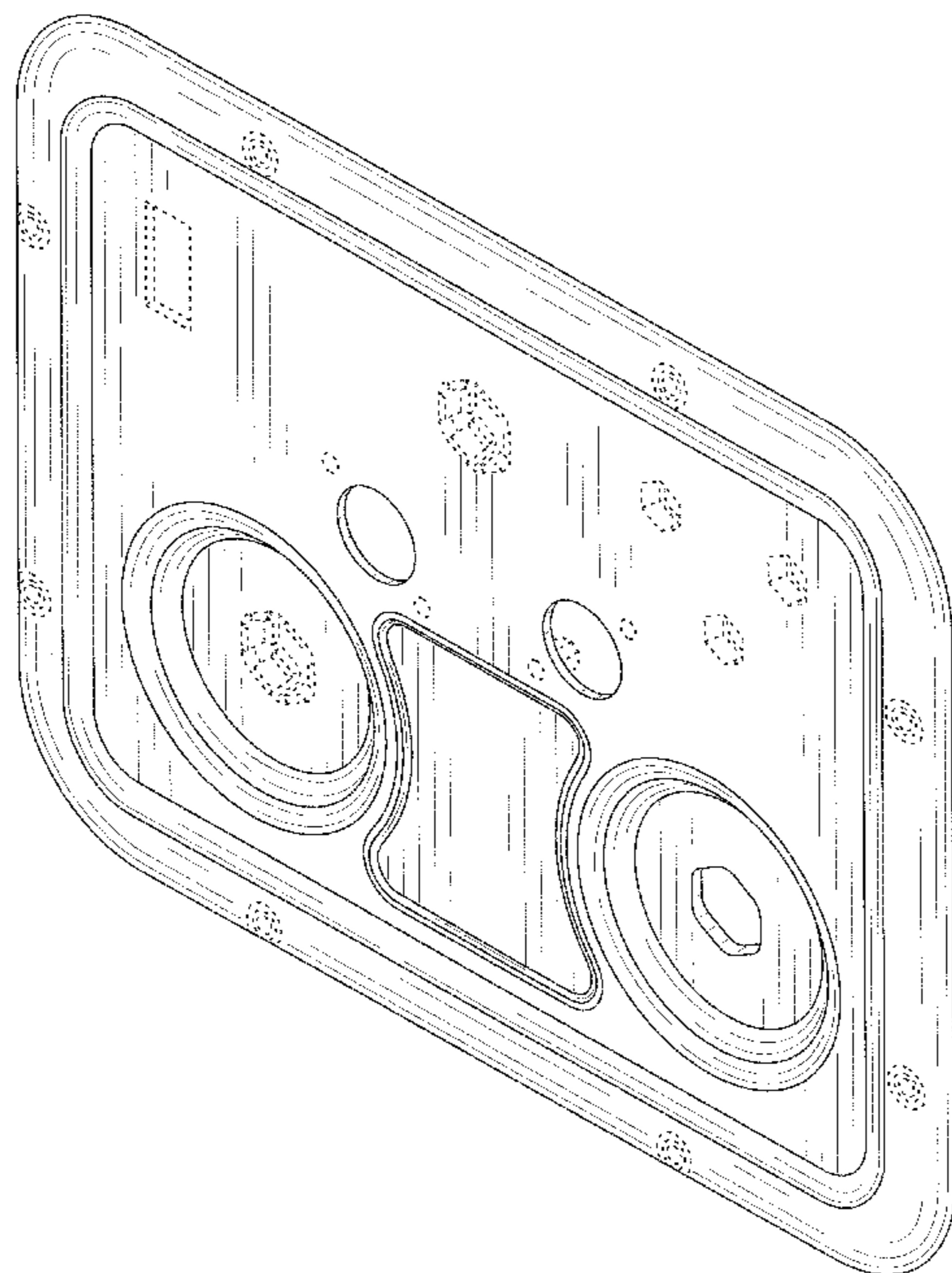
We claim the ornamental design for a molded connection panel, as shown and described.

DESCRIPTION

FIG. 1 is a front perspective view of a molded connection panel showing our new design; FIG. 2 is a rear perspective view thereof; FIG. 3 is a front elevational view thereof; FIG. 4 is a rear elevational view thereof; FIG. 5 is a left elevational view thereof; FIG. 6 is a right elevational view thereof; FIG. 7 is a top plan view thereof; and, FIG. 8 is a bottom plan view thereof.

The broken lines in the drawings are included for the purpose of illustrating portions of the molded connection panel and form no part of the claimed design.

1 Claim, 6 Drawing Sheets



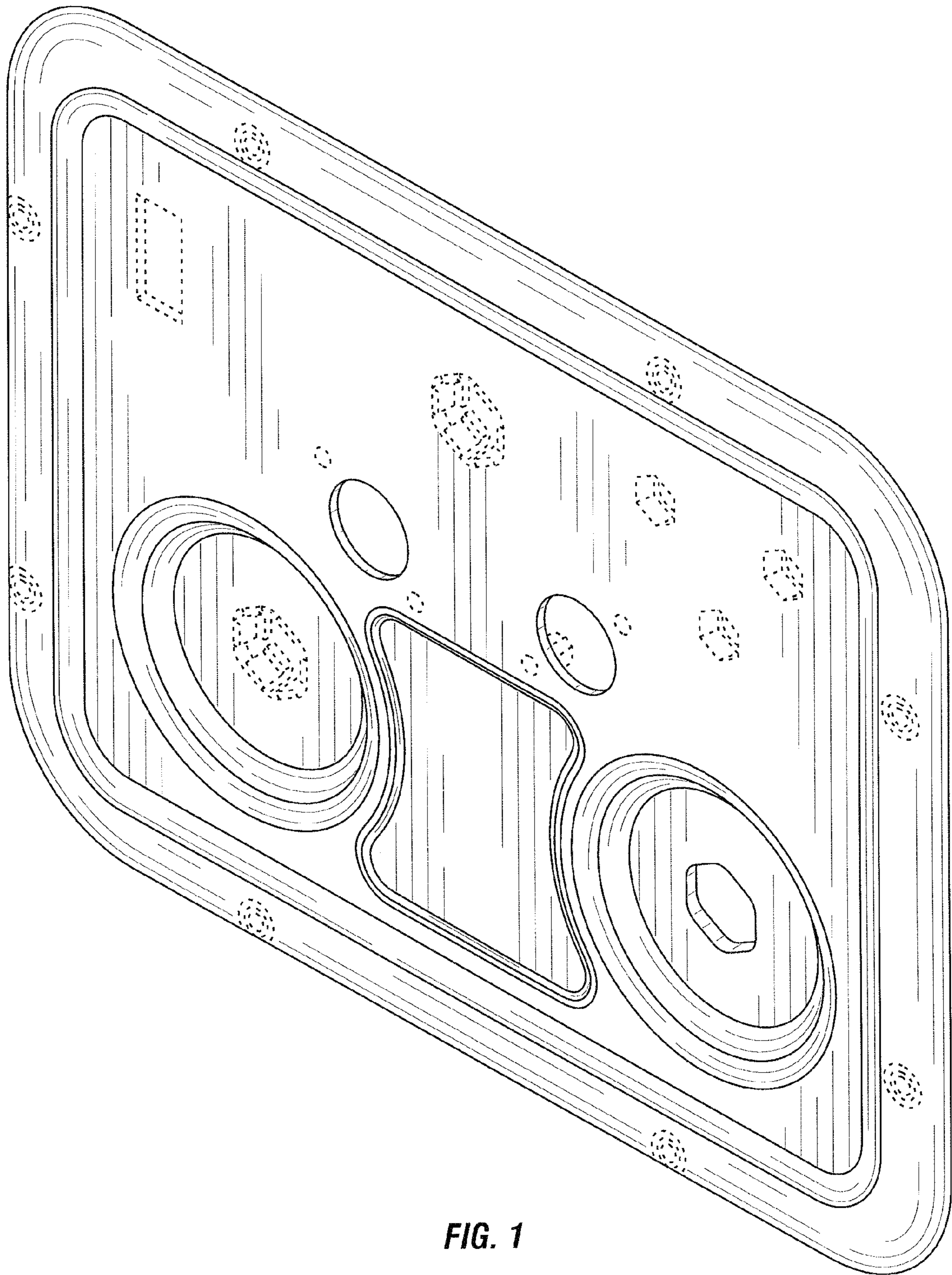


FIG. 1

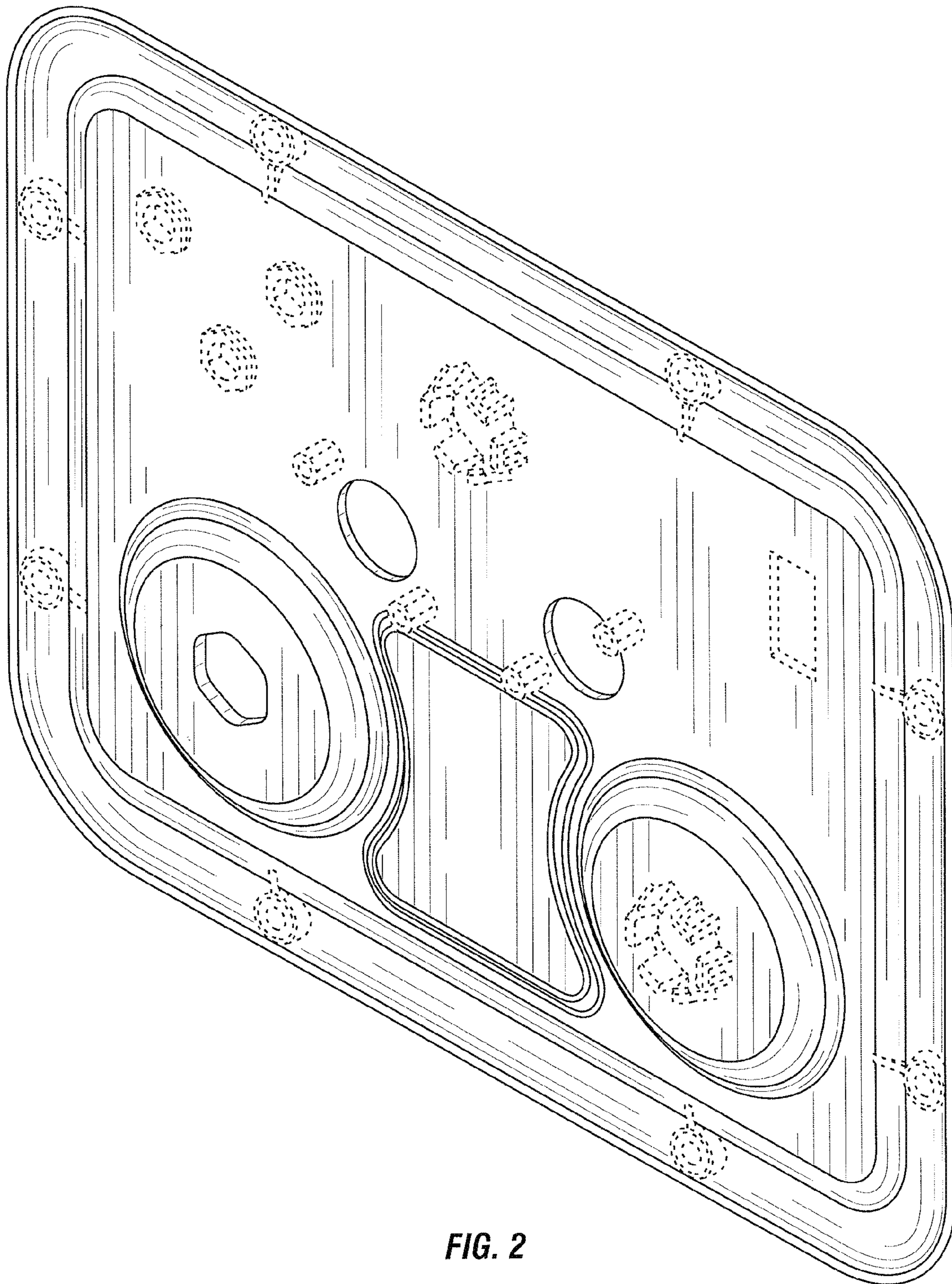


FIG. 2

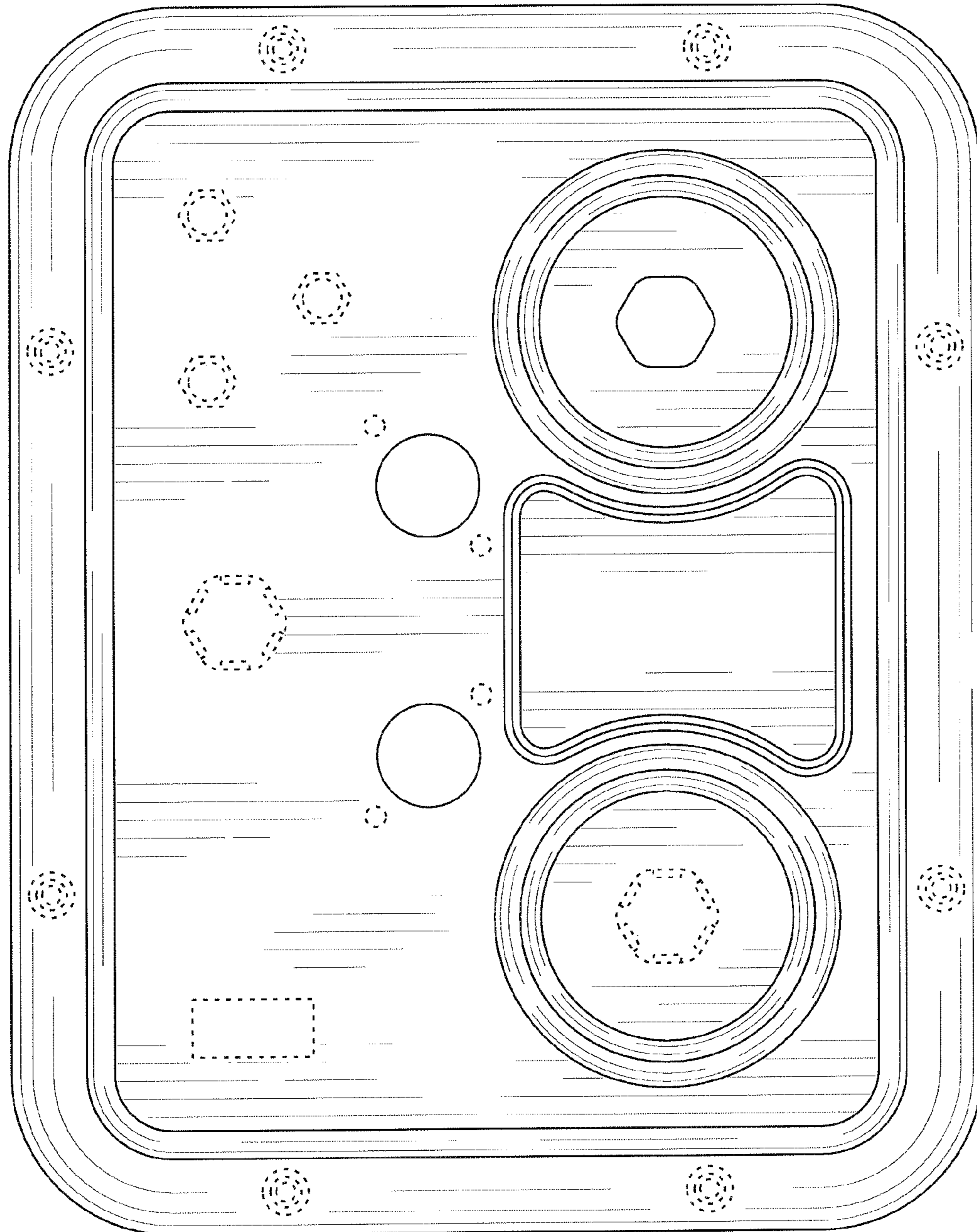


FIG. 3

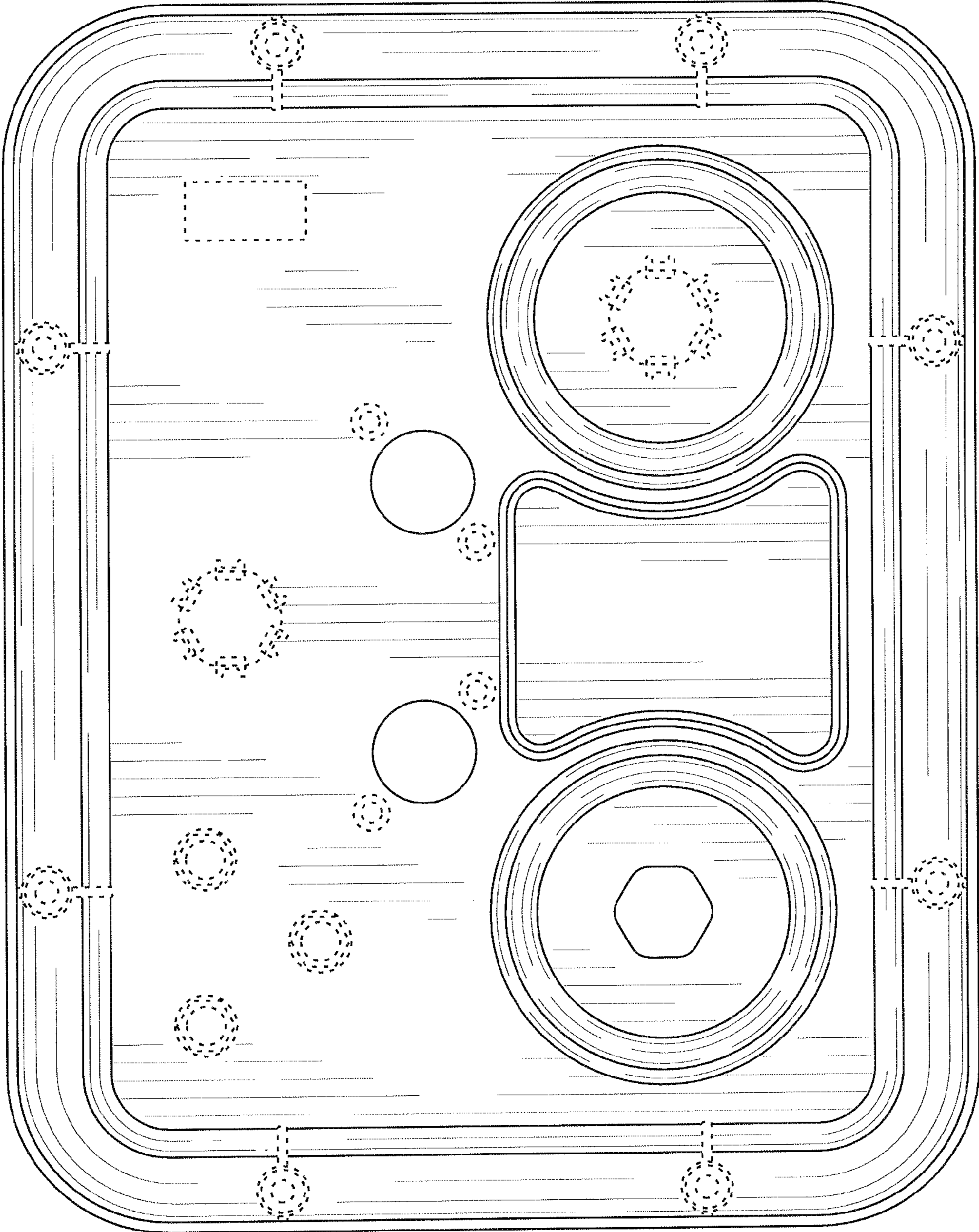


FIG. 4

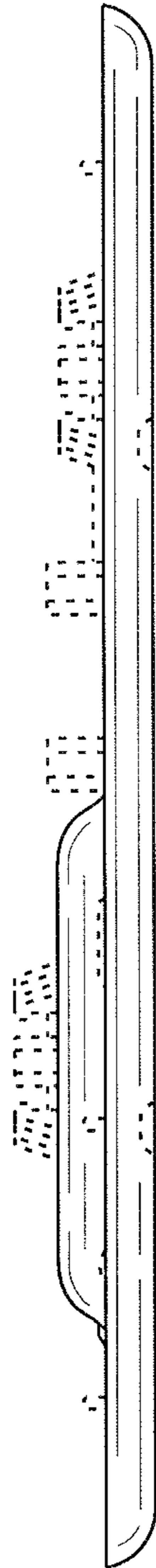


FIG. 5

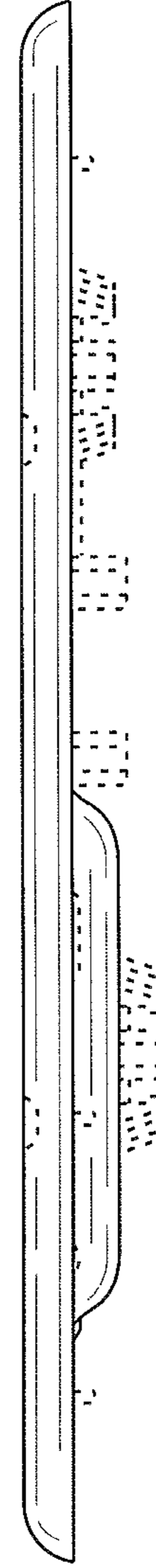


FIG. 6

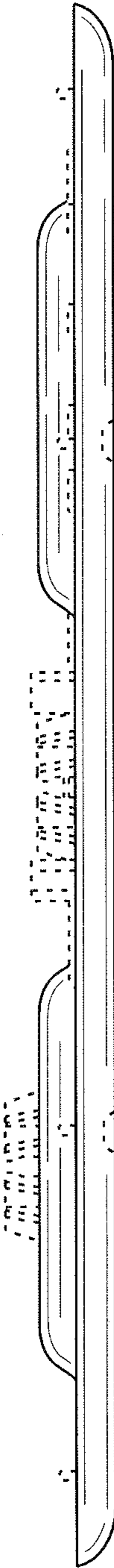


FIG. 7

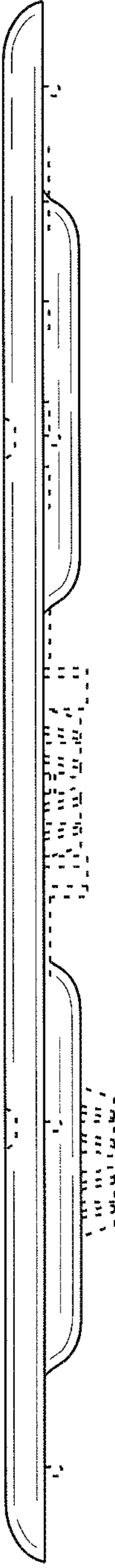


FIG. 8