



US00D764637S

(12) **United States Design Patent**
Ducote et al.

(10) **Patent No.:** **US D764,637 S**
(45) **Date of Patent:** **** Aug. 23, 2016**

- (54) **EQUIPMENT HOUSING**
- (71) Applicant: **Zip Valve Boxes LLC**, Victoria, TX (US)
- (72) Inventors: **Scott M. Ducote**, Victoria, TX (US); **Frances M. Kirkland**, Victoria, TX (US); **Roy P. Prorise**, Cedar Park, TX (US); **Daniel Francis Caputo**, Cedar Park, TX (US); **Derek Litteral**, Austin, TX (US)
- (73) Assignee: **ZIP VALVE BOXES LLC**, Victoria, TX (US)

4,163,503	A	8/1979	McKinnon	
4,333,494	A	6/1982	Shope	
4,691,733	A	9/1987	Zinn	
4,872,575	A	10/1989	Kobilan	
D316,975	S *	5/1991	Brown	D10/103
D328,014	S	7/1992	DeCoster et al.	
5,249,697	A	10/1993	McKinnon	
5,333,750	A	8/1994	McKinnon	
5,361,799	A	11/1994	Chilton et al.	
D355,478	S *	2/1995	Allen	D23/249
D363,761	S *	10/1995	Eggleston	D23/233
5,535,915	A	7/1996	McKinnon	
D396,090	S *	7/1998	Marcichow	D23/233
D411,609	S *	6/1999	Stoltenberg	D23/233
D428,117	S *	7/2000	Minnick	D23/249
6,264,056	B1	7/2001	King	

(Continued)

(**) Term: **14 Years**

(21) Appl. No.: **29/512,241**

(22) Filed: **Dec. 17, 2014**

(51) **LOC (10) Cl.** **23-01**

(52) **U.S. Cl.**
USPC **D23/249**

(58) **Field of Classification Search**
 USPC D23/233-237, 244-249, 260; 251/366, 251/61.1, 45, 129.04; 137/377, 382, 381, 137/382.5
 CPC ... F16K 27/00; F16K 31/0658; F16K 31/047; F16K 31/0665; F16K 31/53; F16K 31/0672; F16K 17/00; F16K 17/36; F16K 17/40; F16K 17/04; F16K 17/02
 See application file for complete search history.

(56) **References Cited**

U.S. PATENT DOCUMENTS

2,697,535	A	12/1954	Olson
3,131,845	A	5/1964	Gerrard
3,858,755	A	1/1975	Tellen
3,877,601	A	4/1975	Evans
RE28,640	E	12/1975	Sauriol
3,952,908	A	4/1976	Carson

FOREIGN PATENT DOCUMENTS

JP	2011052816	A	3/2011
KR	100949710	B1	3/2010

OTHER PUBLICATIONS

Rain Bird Corporation "Rain Bird VBRND10 10" Round Valve Box With Lid (VB Series Valve Boxes)", Apr. 9, 2010, 4 pgs.

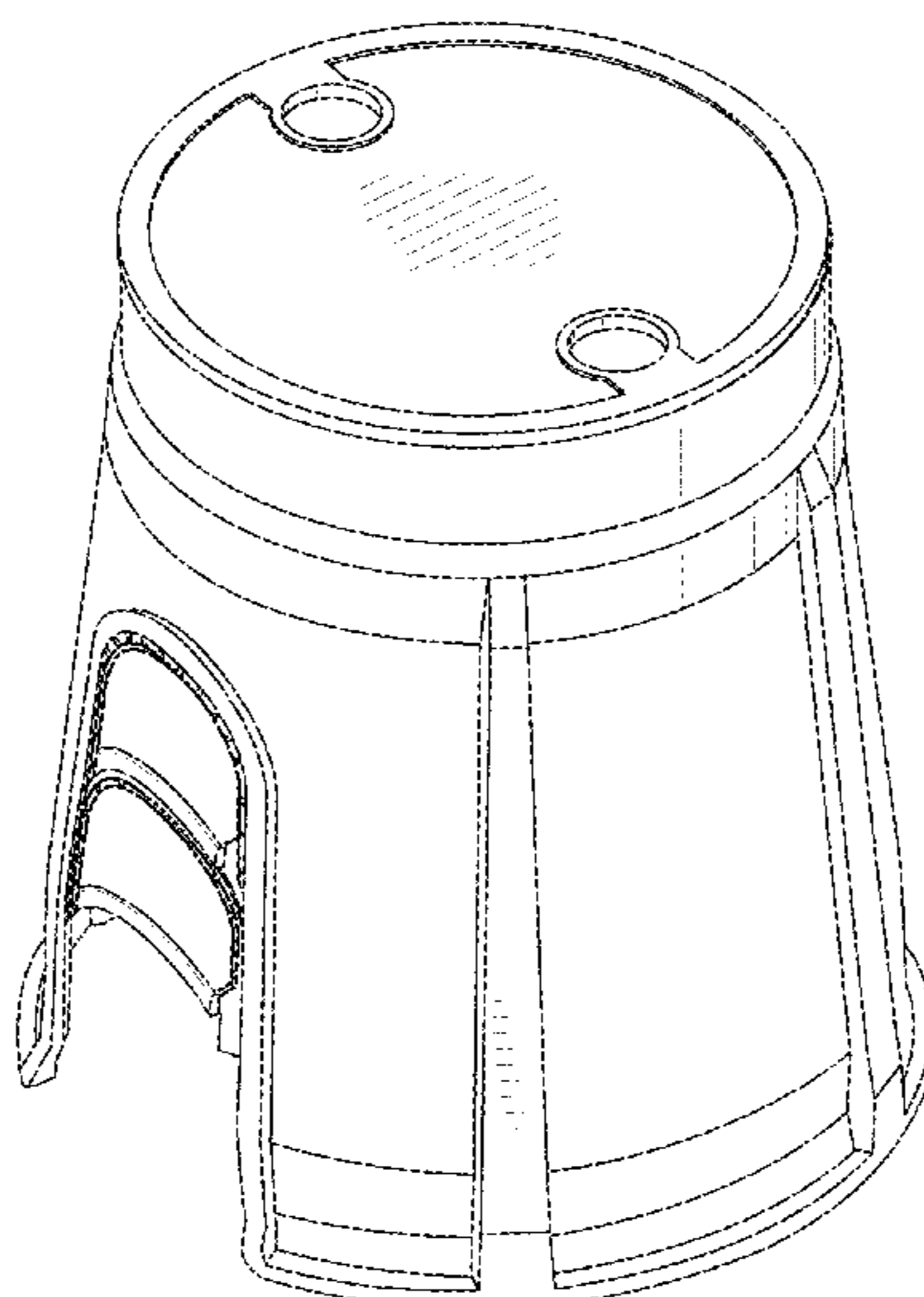
Primary Examiner — Cynthia Ramirez
(74) *Attorney, Agent, or Firm* — Abel Law Group, LLP

(57) **CLAIM**
The ornamental design for an equipment housing, as shown and described.

DESCRIPTION

FIG. 1 is a front isometric view of an equipment housing showing our new design.
FIG. 2 is a top plan view thereof.
FIG. 3 is a front elevational view; the rear being a mirror image thereof; and,
FIG. 4 is a side elevational view; the other side being a mirror image thereof.

1 Claim, 4 Drawing Sheets



(56)

References Cited

U.S. PATENT DOCUMENTS

6,286,702 B1 *	9/2001	Buermann	B65D 83/70 215/253	8,193,444 B2	6/2012	Rodenberg	
6,481,593 B2	11/2002	Banhagel		D695,878 S *	12/2013	Stein	D23/213
D470,921 S *	2/2003	Bush	D23/249	D720,430 S *	12/2014	Yoshida	D23/233
6,666,349 B1	12/2003	Gavin		D728,072 S *	4/2015	Alexander	D23/233
6,749,080 B1	6/2004	White		D739,500 S *	9/2015	Buermann	D23/249
6,854,616 B2 *	2/2005	Steffan	B65D 59/06 215/254	2005/0103782 A1	5/2005	O'Brien	
D511,647 S	11/2005	Smith		2006/0169868 A1	8/2006	Anderson et al.	
7,004,677 B1	2/2006	Ericksen et al.		2009/0044869 A1	2/2009	Brown et al.	
7,117,883 B1	10/2006	Vitalo		2009/0173397 A1	7/2009	Mallela et al.	
7,243,810 B2	7/2007	O'Brien et al.		2009/0277910 A1	11/2009	Buttz	
7,389,891 B1	6/2008	Gavin		2011/0006067 A1	1/2011	Manuel	
7,540,683 B2	6/2009	Salas		2011/0180159 A1	7/2011	Ericksen	
D633,179 S *	2/2011	Geideman	D23/233	2012/0247987 A1	10/2012	Patterson	
7,922,033 B2	4/2011	Kearby et al.		2013/0008916 A1	1/2013	Russo, Jr.	
				2013/0341551 A1 *	12/2013	Beck	F16K 27/00 251/366
				2014/0196800 A1	7/2014	Buermann	
				2014/0263343 A1	9/2014	Geerligs et al.	

* cited by examiner

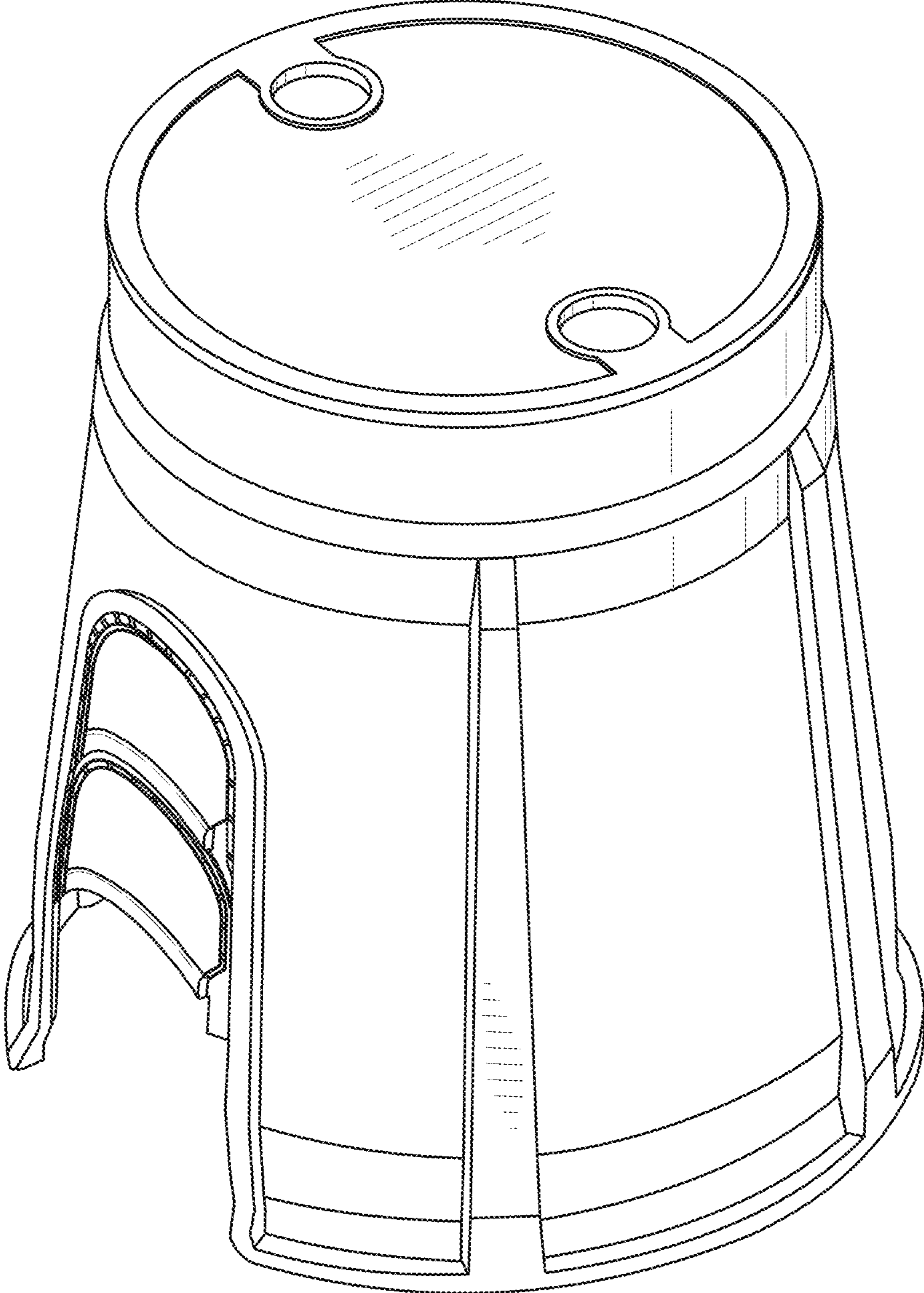


FIG. 1

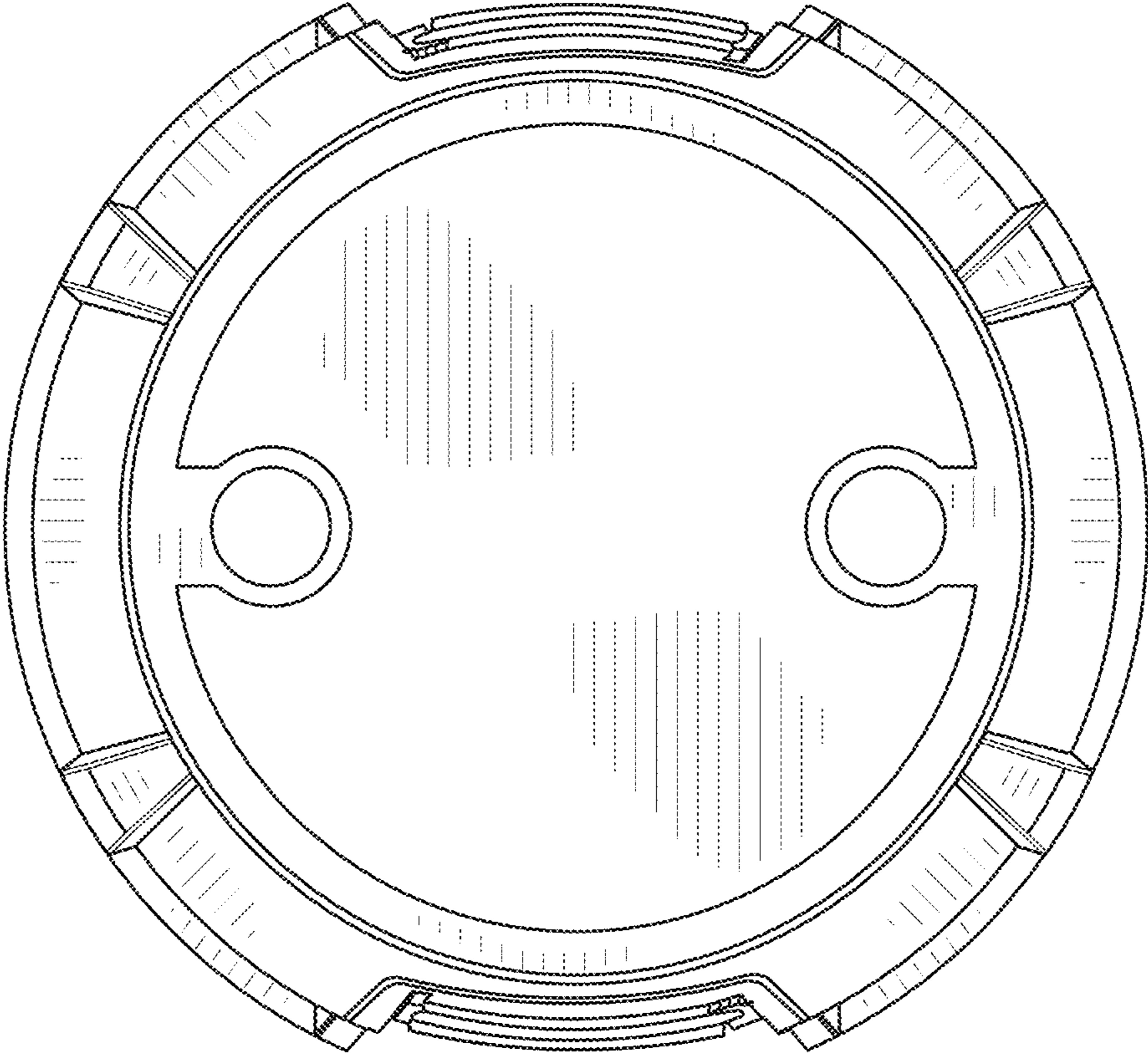


FIG. 2

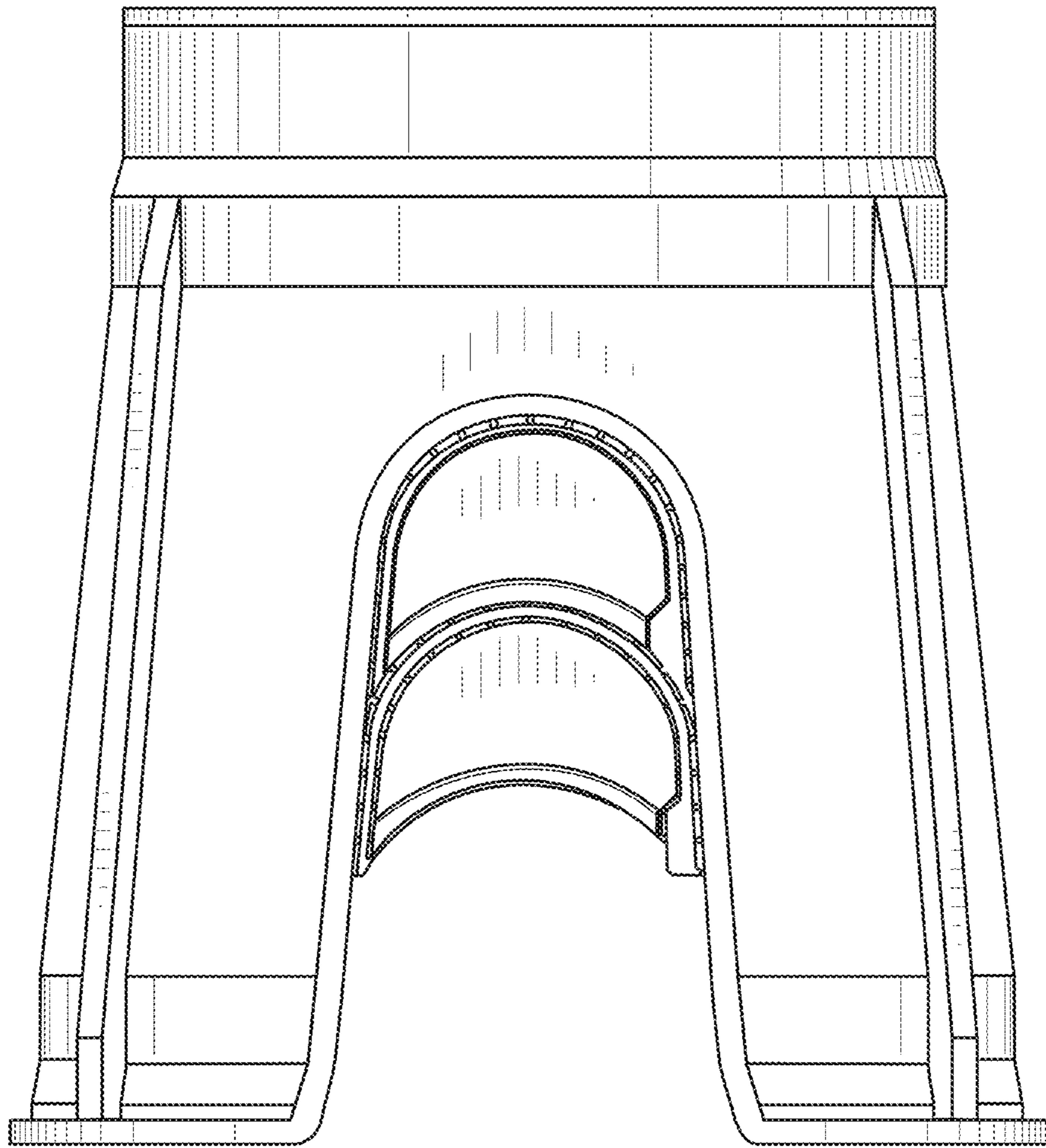


FIG. 3

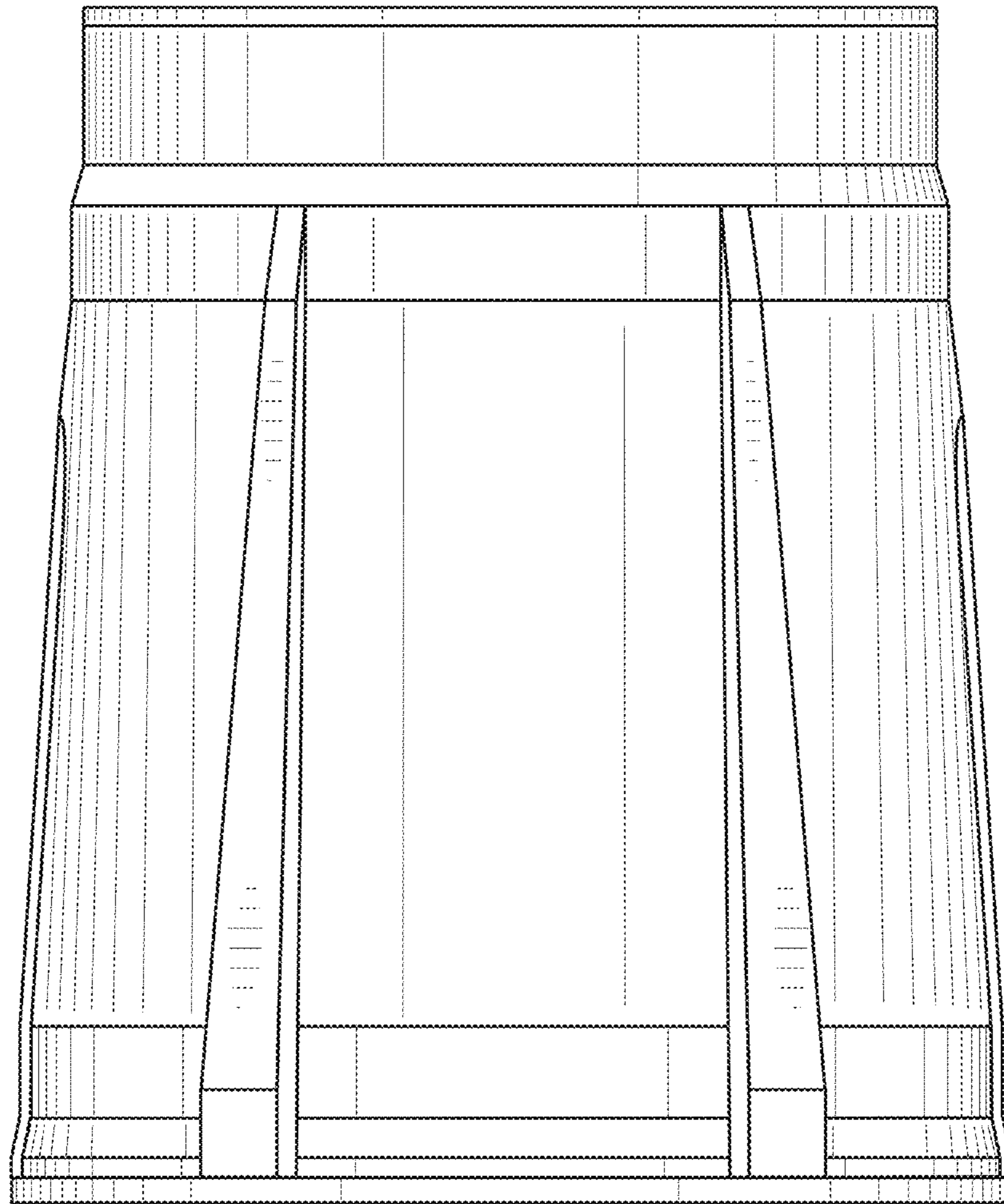


FIG. 4