



US00D764635S

(12) **United States Design Patent**  
**Slothower**

(10) **Patent No.:** **US D764,635 S**

(45) **Date of Patent:** **\*\* Aug. 23, 2016**

(54) **FAUCET**

D527,085 S 8/2006 Loberger et al.  
D528,637 S 9/2006 Massaud  
D529,133 S 9/2006 Massaud  
D529,134 S 9/2006 Massaud

(71) Applicant: **Kohler Co.**, Kohler, WI (US)

(72) Inventor: **Anna-Pia K. Slothower**, Mill Valley,  
CA (US)

(Continued)

(73) Assignee: **KOHLER CO.**, Kohler, WI (US)

**OTHER PUBLICATIONS**

(\*\*) Term: **14 Years**

US Office Action dated Feb. 16, 2016, from related U.S. Appl. No. 29/519,931.

(21) Appl. No.: **29/519,935**

*Primary Examiner* — Robert Delehanty

(22) Filed: **Mar. 9, 2015**

(74) *Attorney, Agent, or Firm* — Foley & Lardner LLP

(51) **LOC (10) Cl.** ..... **23-01**

(52) **U.S. Cl.**  
USPC ..... **D23/240**

(57) **CLAIM**

I claim the ornamental design for a faucet, as shown and described.

(58) **Field of Classification Search**  
USPC ..... D23/238–243, 249–250, 252, 254;  
D6/532, 536

**DESCRIPTION**

CPC ..... E03C 1/04; E03C 1/0401; E03C 1/0402;  
E03C 1/0404; F16K 31/602; F16K 31/605;  
F16K 31/607

See application file for complete search history.

FIG. 1 is a perspective view of an embodiment of the claimed design;  
FIG. 2 is a front view of the embodiment of FIG. 1;  
FIG. 3 is a rear view of the embodiment of FIG. 1;  
FIG. 4 is a side view of the embodiment of FIG. 1;  
FIG. 5 is another side view of the embodiment of FIG. 1;  
FIG. 6 is a top view of the embodiment of FIG. 1; and,  
FIG. 7 is a bottom view of the embodiment of FIG. 1.

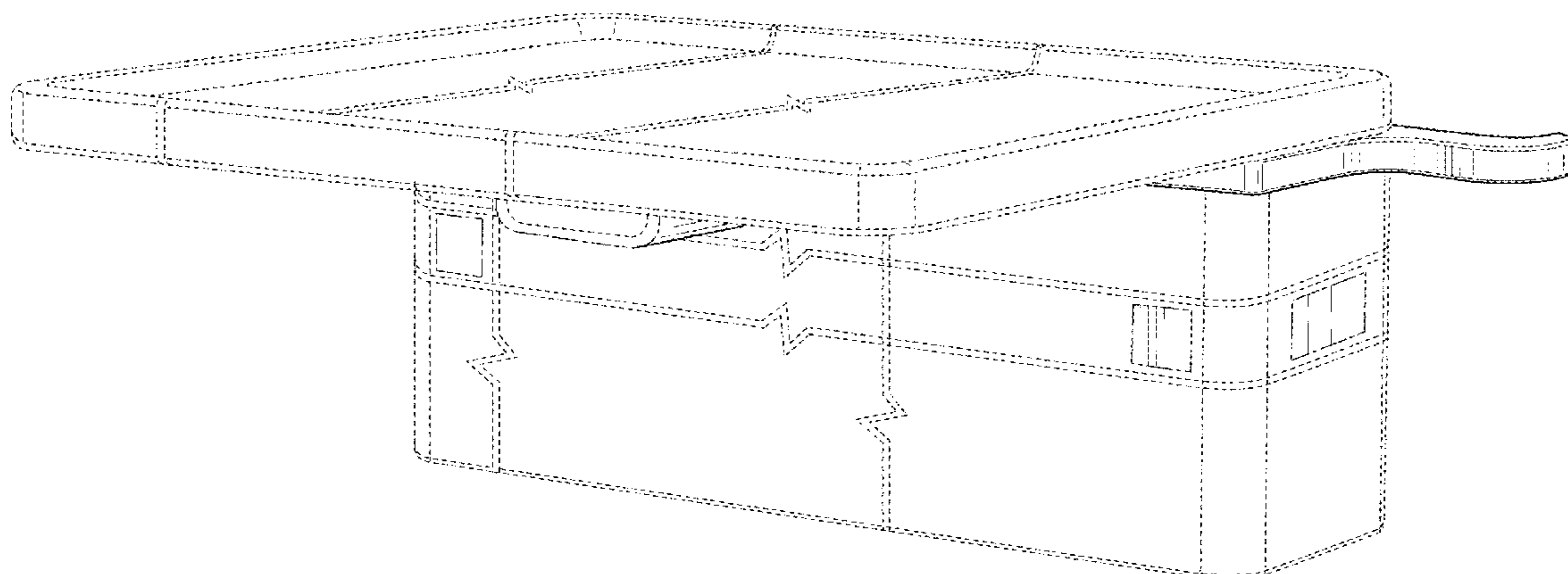
(56) **References Cited**

**U.S. PATENT DOCUMENTS**

D50,631 S	4/1917	Reid	
D82,360 S	10/1930	Albert	
D147,404 S	9/1947	Fitter	
D149,388 S	4/1948	Stratmore	
D153,907 S	5/1949	Smolensky	
3,451,738 A	6/1969	Hobson	
4,735,357 A	4/1988	Gregory et al.	
4,823,414 A	4/1989	Piersimoni et al.	
D318,320 S *	7/1991	Zerlia	..... D23/241
5,062,164 A	11/1991	Lee et al.	
6,206,340 B1	3/2001	Paese et al.	
D509,564 S	9/2005	Jorgensen	
D511,821 S	11/2005	Loberger et al.	
D514,664 S	2/2006	Starck	

The ornamental design that is claimed is shown in the drawings as solid lines and surfaces having surface shading. The broken lines in the drawings are for illustrative purposes only and form no part of the claimed design. For example, broken lines formed by equal length dashes show unclaimed portions of the design. Broken lines formed of unequal length dashes (i.e., dash-dot) show boundaries between either claimed and unclaimed portions of the design or between unclaimed and unclaimed portions of the design. Break lines having a jagged element are not part of the claimed design and show that differing lengths of the portion are possible.

**1 Claim, 6 Drawing Sheets**



(56)

**References Cited**

U.S. PATENT DOCUMENTS

D530,782 S 10/2006 Starck  
D534,989 S 1/2007 Massaud  
D536,767 S 2/2007 Massaud  
D539,400 S 3/2007 Loberger et al.  
D540,912 S \* 4/2007 Qing ..... D23/238  
D573,230 S \* 7/2008 Sieger ..... D23/238  
7,406,722 B2 8/2008 Fukuizumi et al.  
D580,524 S 11/2008 Starck  
D599,596 S 9/2009 Ghiorghie  
D610,242 S 2/2010 Loberger et al.  
D614,273 S 4/2010 Loberger et al.

D617,877 S 6/2010 Bouroullec et al.  
D622,360 S \* 8/2010 Bouroullec ..... D23/254  
D628,280 S 11/2010 Loberger et al.  
D637,844 S 5/2011 Kraemer  
D641,842 S 7/2011 Loberger et al.  
D646,365 S 10/2011 Parekh  
8,296,875 B2 10/2012 Loberger et al.  
D676,530 S 2/2013 Kwok  
D677,364 S 3/2013 Schoenherr et al.  
D677,365 S 3/2013 Schoenherr et al.  
D692,535 S 10/2013 Kington  
D708,712 S 7/2014 Yu  
8,857,786 B2 10/2014 Bayley et al.

\* cited by examiner

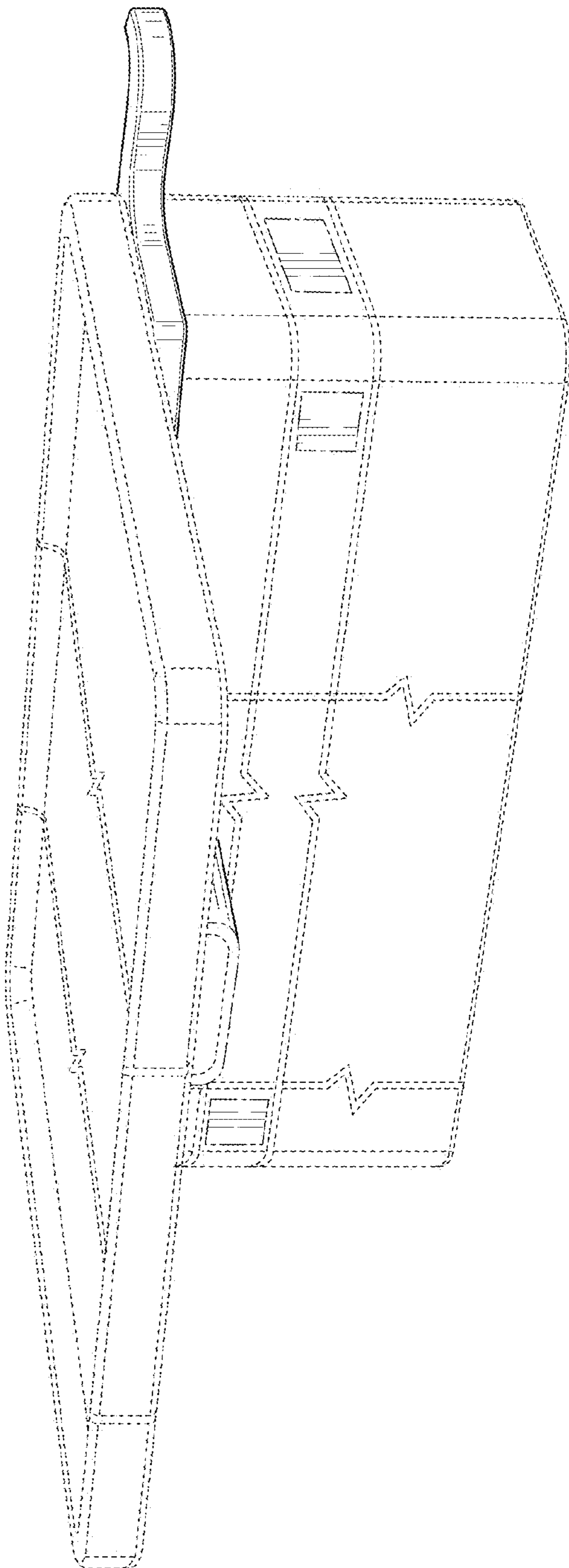


FIG. 1

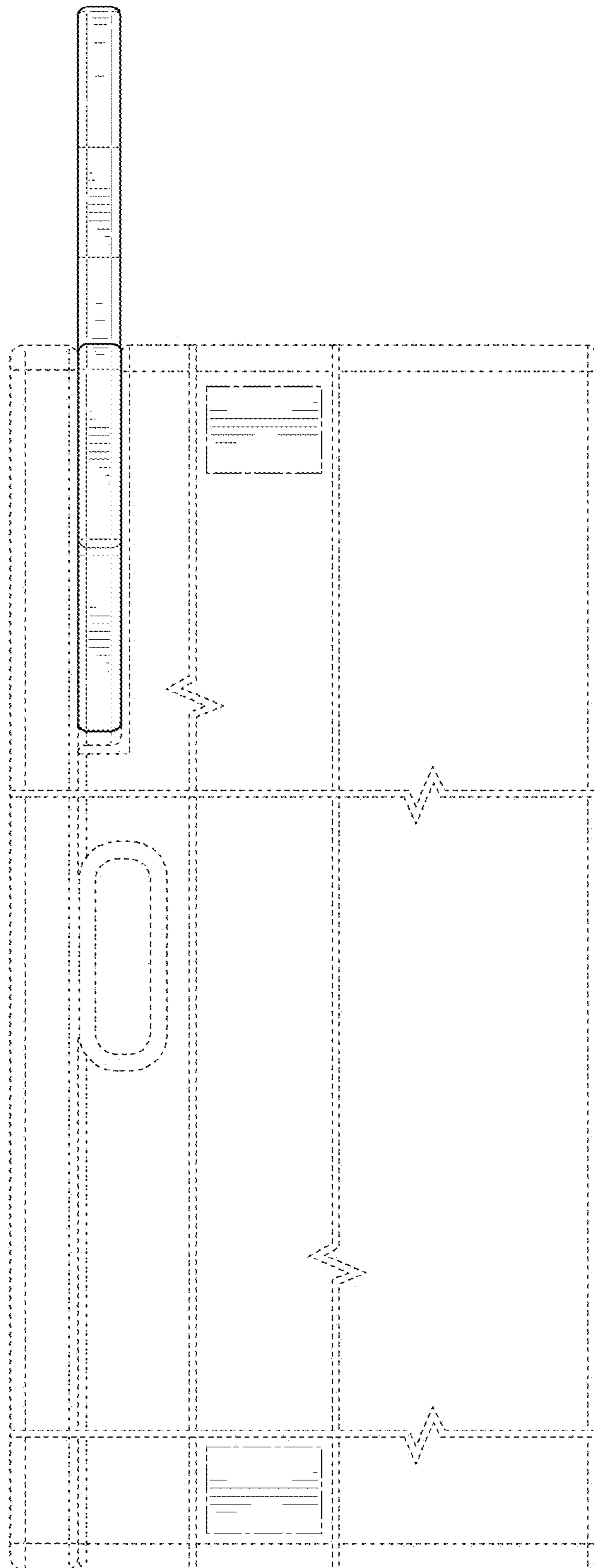


FIG. 2

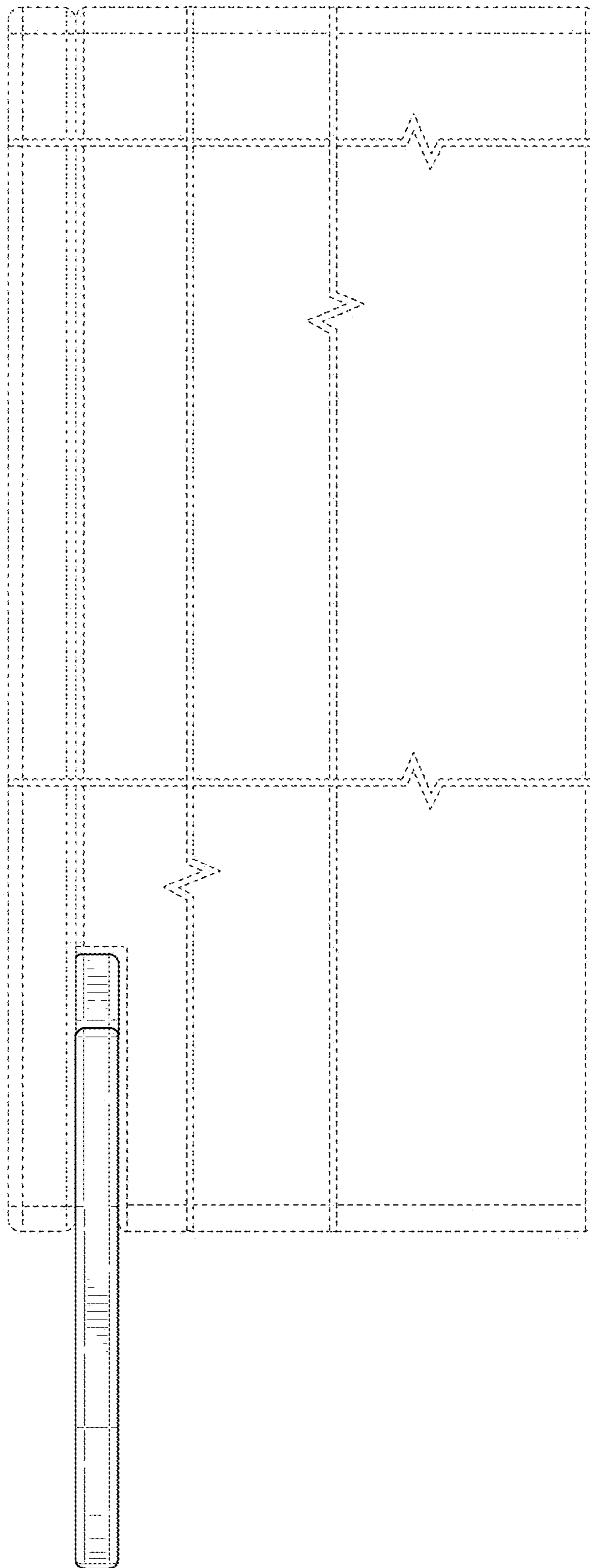


FIG. 3

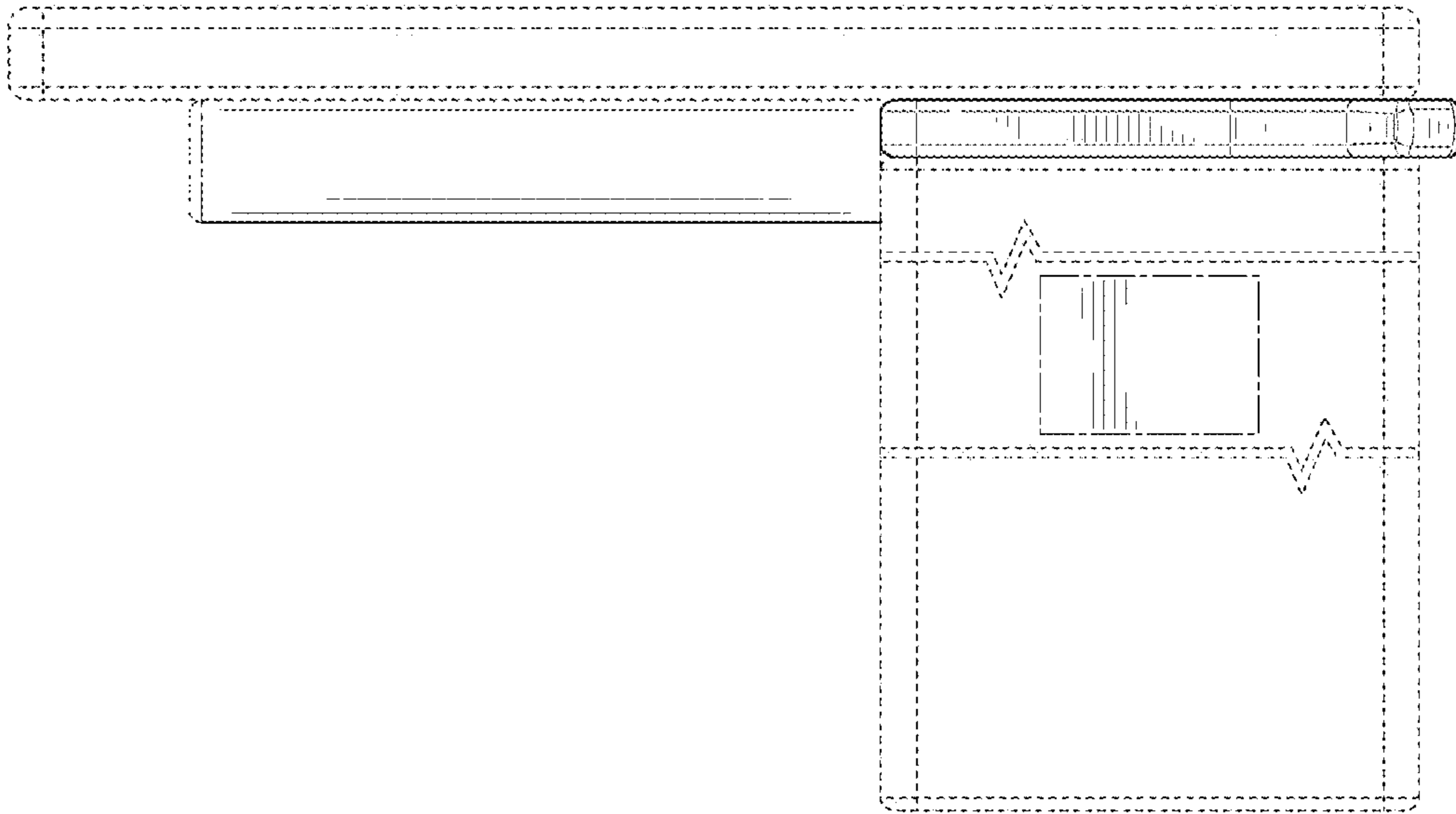


FIG. 4

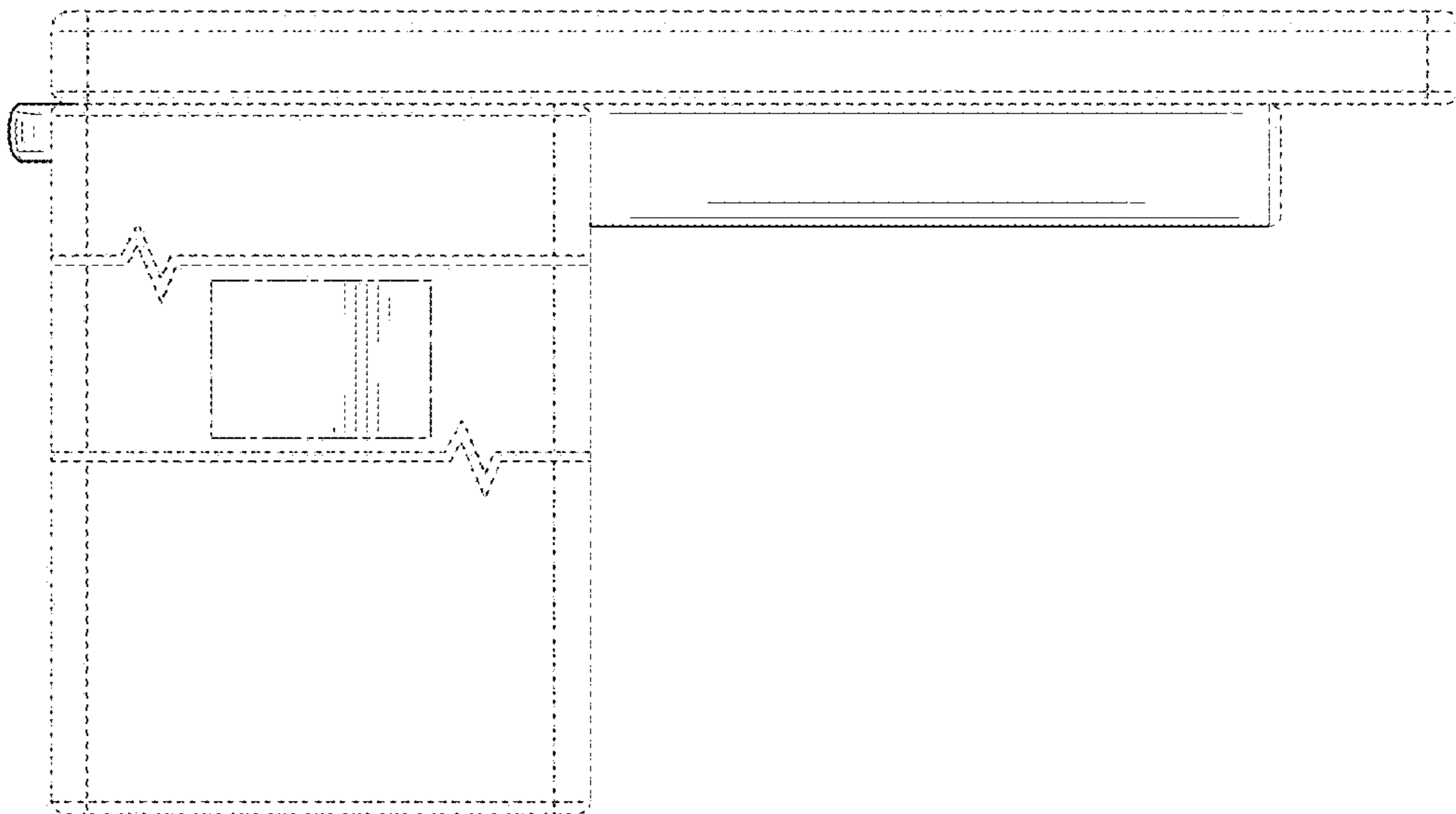


FIG. 5

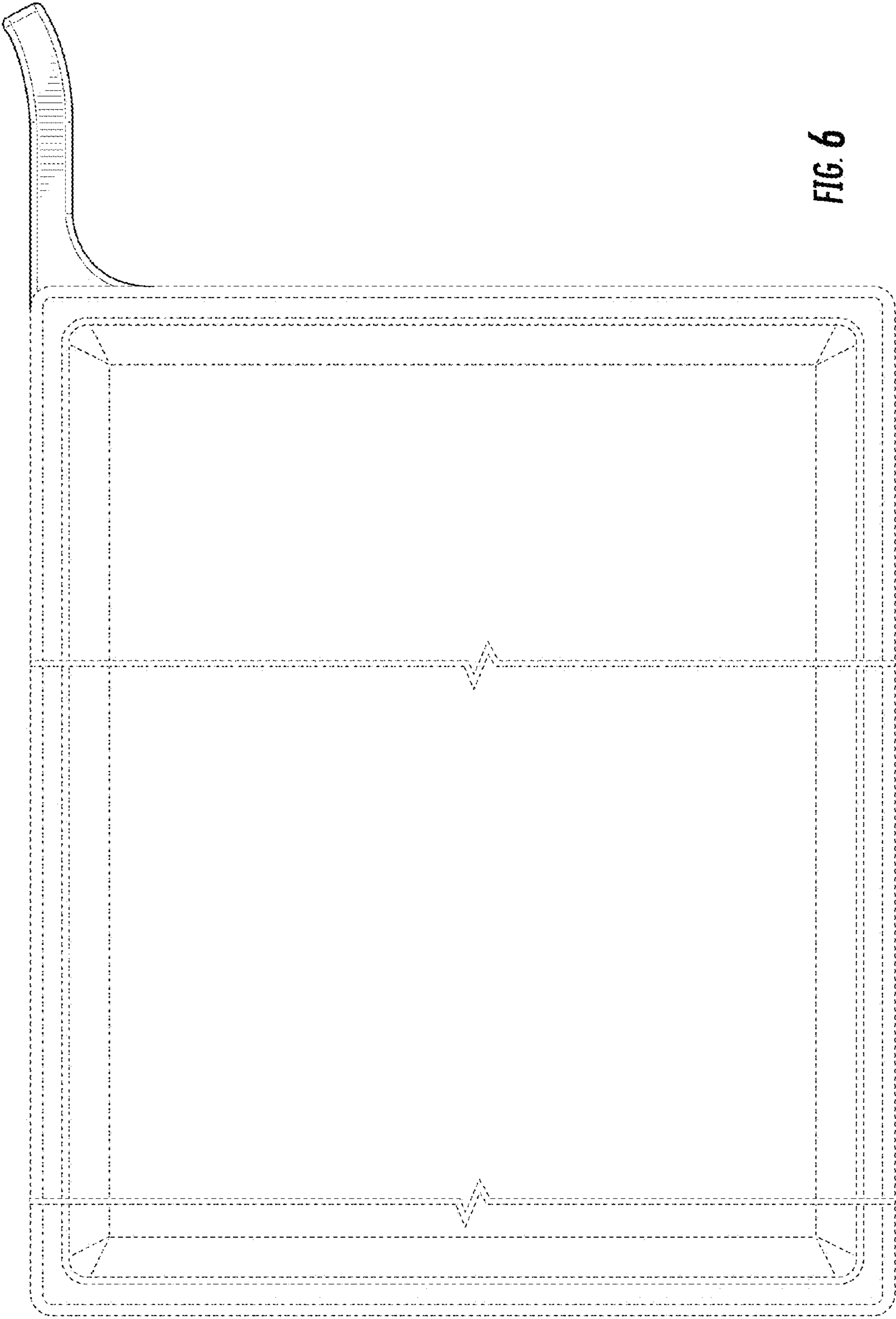


FIG. 6

