



US00D764634S

(12) **United States Design Patent** (10) **Patent No.:** **US D764,634 S**
Slothower (45) **Date of Patent:** **** Aug. 23, 2016**

(54) **FAUCET**

(71) Applicant: **Kohler Co.**, Kohler, WI (US)

(72) Inventor: **Anna-Pia K. Slothower**, Mill Valley, CA (US)

(73) Assignee: **KOHLER CO.**, Kohler, WI (US)

(**) Term: **14 Years**

(21) Appl. No.: **29/519,934**

(22) Filed: **Mar. 9, 2015**

(51) **LOC (10) Cl.** **23-01**

(52) **U.S. Cl.**
USPC **D23/240**

(58) **Field of Classification Search**
USPC D23/238–243, 249–250, 252, 254
CPC E03C 1/04; E03C 1/0401; E03C 1/0402;
E03C 1/0404; F16K 31/602; F16K 31/605;
F16K 31/607
See application file for complete search history.

(56) **References Cited**

U.S. PATENT DOCUMENTS

D50,631 S	4/1917	Reid
D147,404 S	9/1947	Fitter
D149,388 S	4/1948	Stratmore

(Continued)

OTHER PUBLICATIONS

US Office Action dated Feb. 16, 2016, from related U.S. Appl. No. 29/519,931.

(Continued)

Primary Examiner — Robert Delehanty

(74) *Attorney, Agent, or Firm* — Foley & Lardner LLP

(57) **CLAIM**

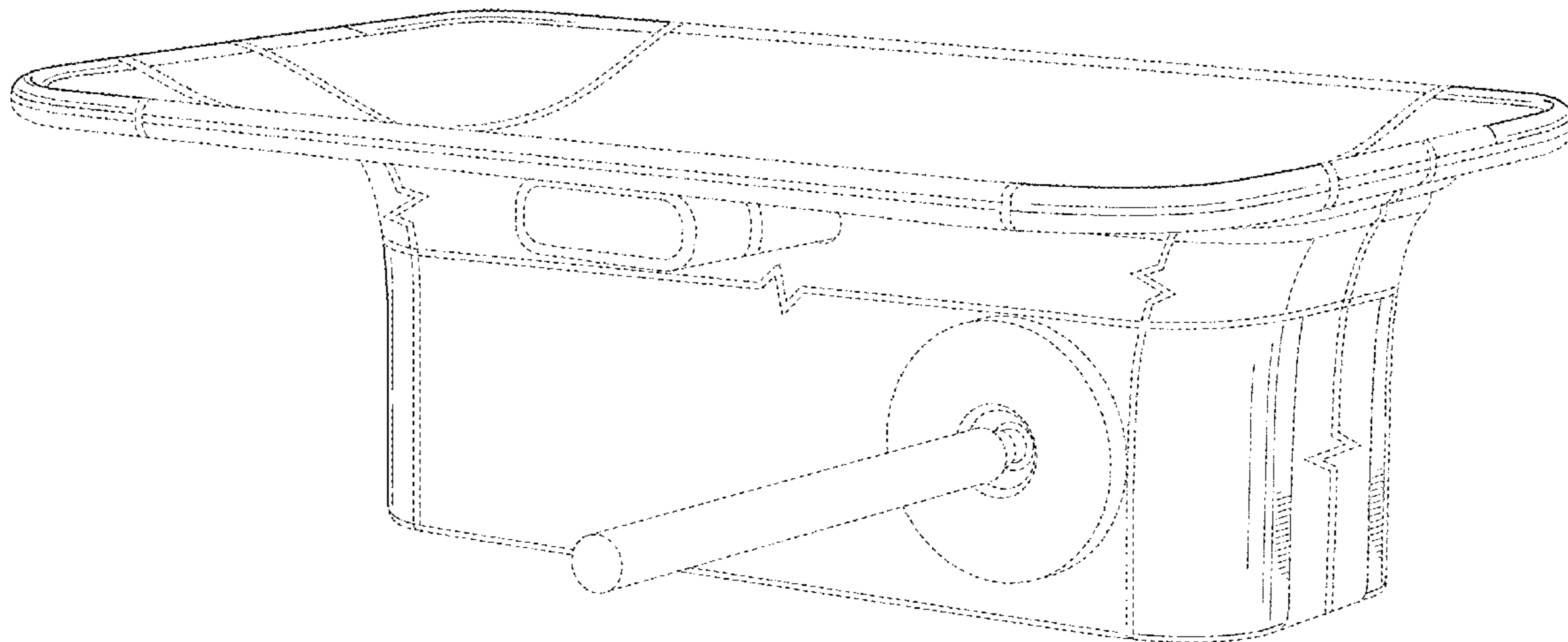
I claim the ornamental design for a faucet, as shown and described.

DESCRIPTION

FIG. 1 is a perspective view of an embodiment of the claimed design;
 FIG. 2 is a front view of the embodiment of FIG. 1;
 FIG. 3 is a rear view of the embodiment of FIG. 1;
 FIG. 4 is a side view of the embodiment of FIG. 1;
 FIG. 5 is another side view of the embodiment of FIG. 1;
 FIG. 6 is a top view of the embodiment of FIG. 1;
 FIG. 7 is a bottom view of the embodiment of FIG. 1;
 FIG. 8 is a perspective view of another embodiment of the claimed design;
 FIG. 9 is a front view of the embodiment of FIG. 8;
 FIG. 10 is a rear view of the embodiment of FIG. 8;
 FIG. 11 is a side view of the embodiment of FIG. 8;
 FIG. 12 is another side view of the embodiment of FIG. 8;
 FIG. 13 is a top view of the embodiment of FIG. 8; and
 FIG. 14 is a bottom view of the embodiment of FIG. 8.

The ornamental design that is claimed is shown in the drawings as solid lines and surfaces having surface shading. The broken lines in the drawings are for illustrative purposes only and form no part of the claimed design. For example, broken lines formed by equal length dashes show unclaimed portions of the design. Broken lines formed of unequal length dashes (i.e., dash-dot) show boundaries between either claimed and unclaimed portions of the design or between unclaimed and unclaimed portions of the design. Break lines having a jagged element are not part of the claimed design and show that differing lengths of the portion are possible.

1 Claim, 12 Drawing Sheets



(56)

References Cited

U.S. PATENT DOCUMENTS

D153,907 S 5/1949 Smolensky
 3,451,738 A 6/1969 Hobson
 4,735,357 A 4/1988 Gregory et al.
 4,823,414 A 4/1989 Piersimoni et al.
 D318,320 S 7/1991 Zerlia
 5,062,164 A 11/1991 Lee et al.
 6,206,340 B1 3/2001 Paese et al.
 D509,564 S * 9/2005 Jorgensen D23/238
 D511,821 S 11/2005 Loberger et al.
 D514,664 S * 2/2006 Starck D23/238
 D527,085 S 8/2006 Loberger et al.
 D528,637 S 9/2006 Massaud
 D529,133 S 9/2006 Massaud
 D529,134 S 9/2006 Massaud
 D530,782 S 10/2006 Starck
 D534,989 S 1/2007 Massaud
 D536,767 S 2/2007 Massaud
 D539,400 S 3/2007 Loberger et al.
 D540,912 S 4/2007 Qing
 D573,230 S 7/2008 Sieger
 7,406,722 B2 8/2008 Fukuizumi et al.

D580,524 S 11/2008 Starck
 D599,596 S 9/2009 Ghiorghie
 D610,242 S 2/2010 Loberger et al.
 D614,273 S 4/2010 Loberger et al.
 D617,877 S 6/2010 Bouroullec et al.
 D622,360 S * 8/2010 Bouroullec D23/254
 D628,280 S 11/2010 Loberger et al.
 D637,844 S 5/2011 Kraemer
 D641,842 S 7/2011 Loberger et al.
 D646,365 S * 10/2011 Parekh D23/290
 8,296,875 B2 10/2012 Loberger et al.
 D676,530 S 2/2013 Kwok
 D677,364 S * 3/2013 Schoenherr D23/238
 D677,365 S 3/2013 Schoenherr et al.
 D692,535 S * 10/2013 Kington D23/238
 D708,712 S 7/2014 Yu
 8,857,786 B2 10/2014 Bayley et al.

OTHER PUBLICATIONS

US Office Action dated Feb. 18, 2016, from related U.S. Appl. No. 29/519,935.

* cited by examiner

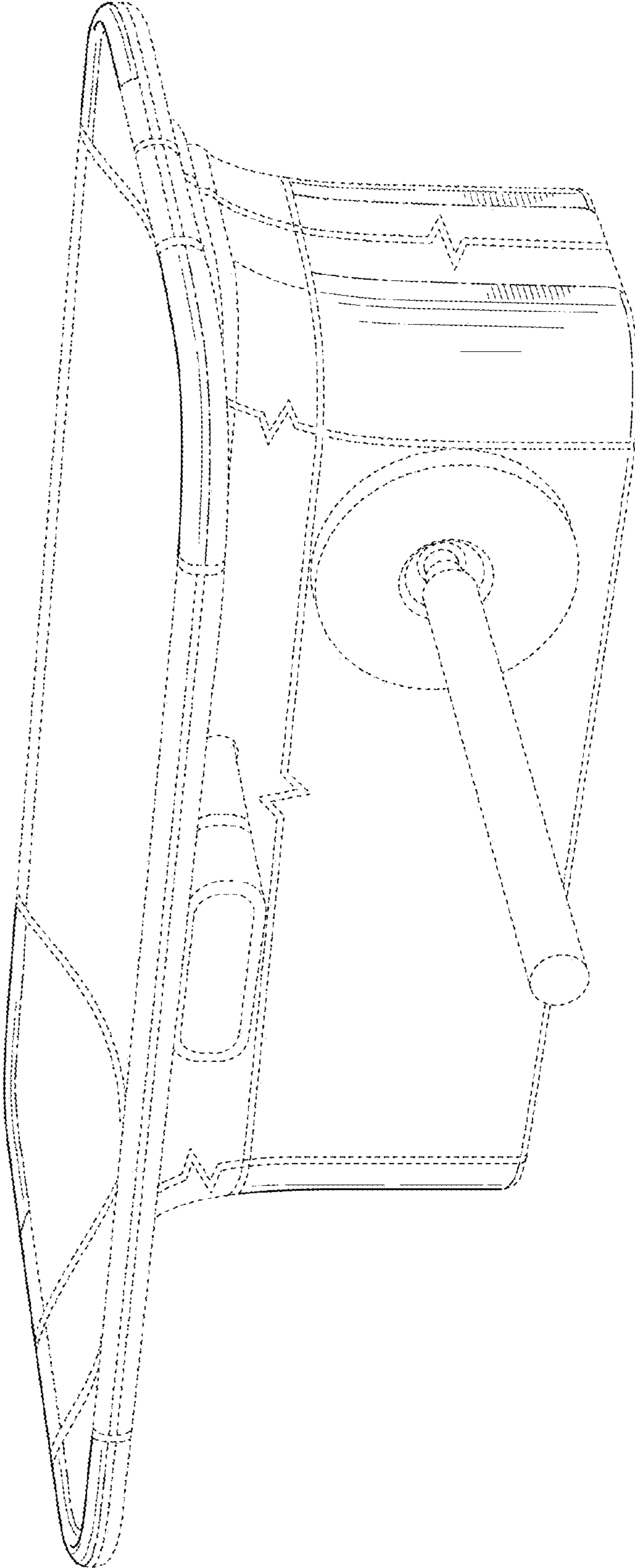


FIG. 1

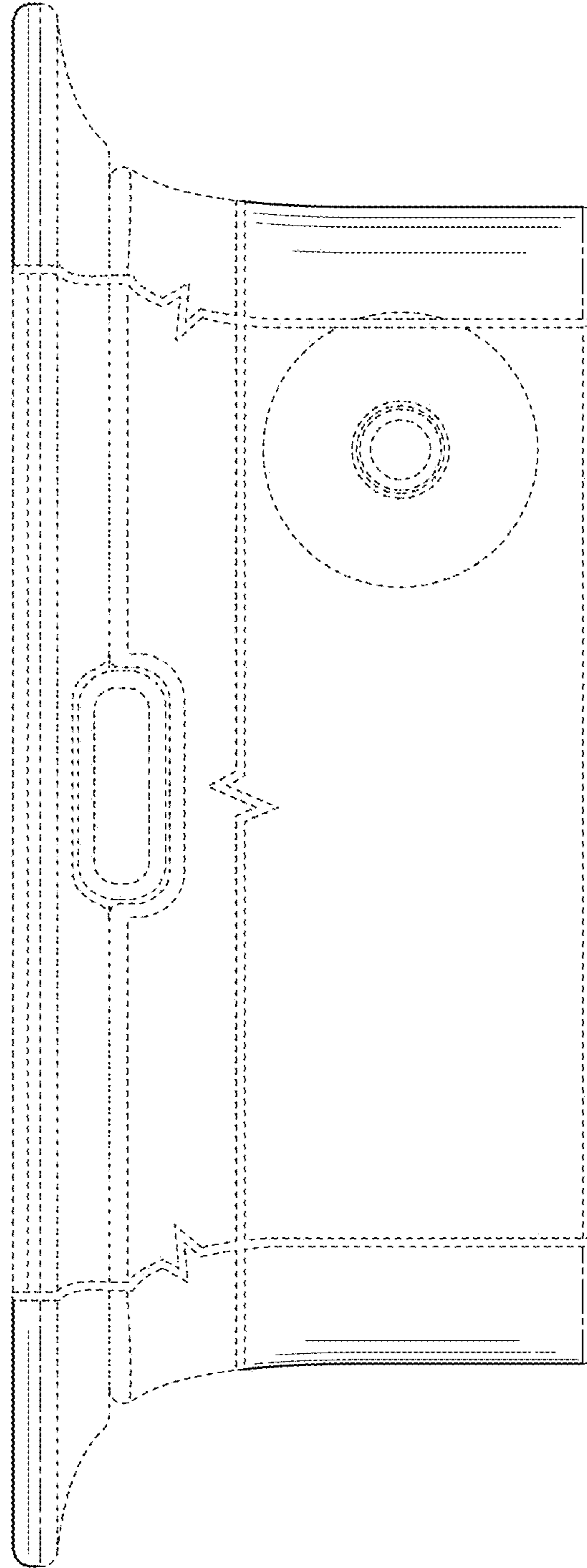


FIG. 2

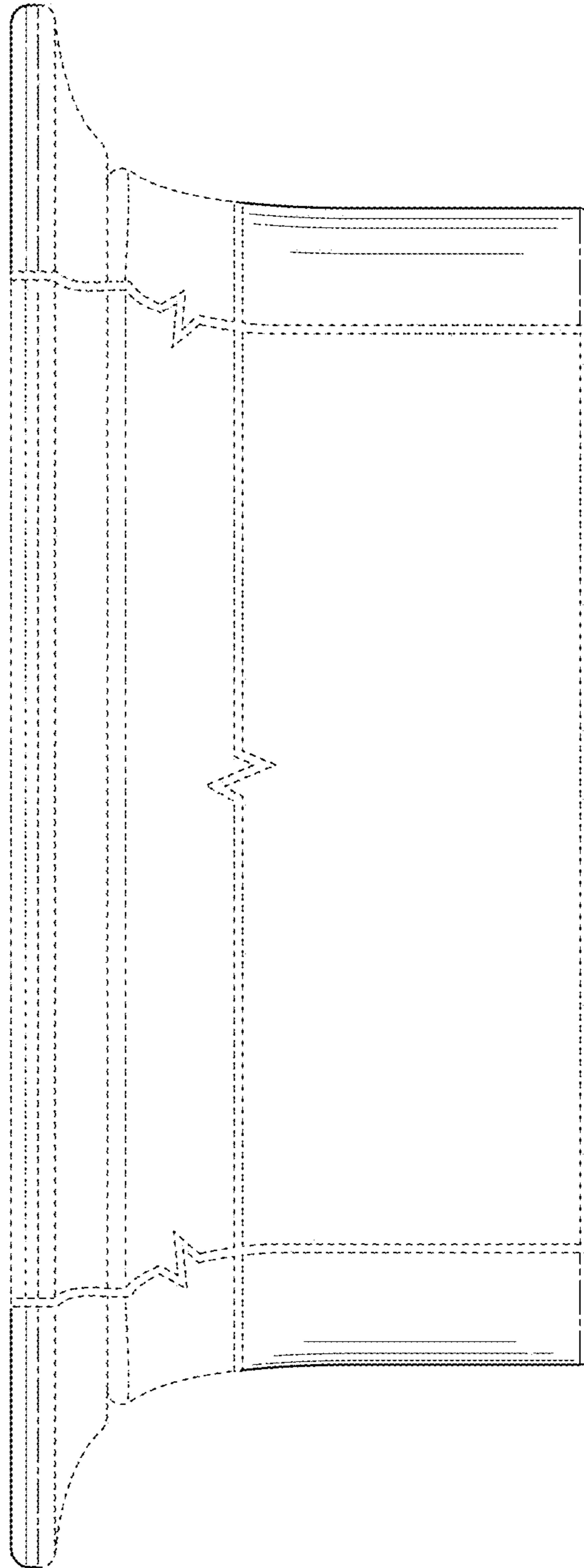


FIG. 3

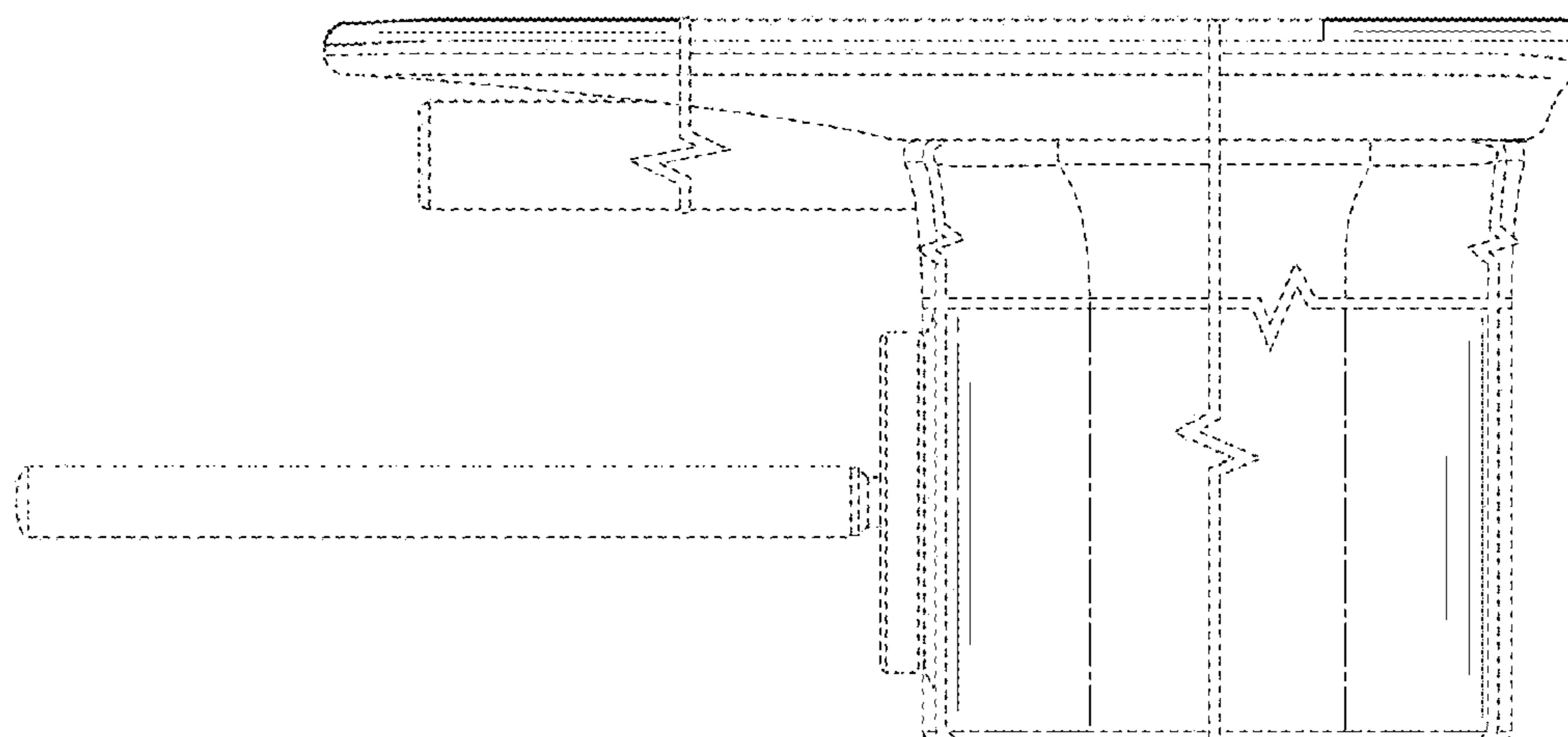


FIG. 4

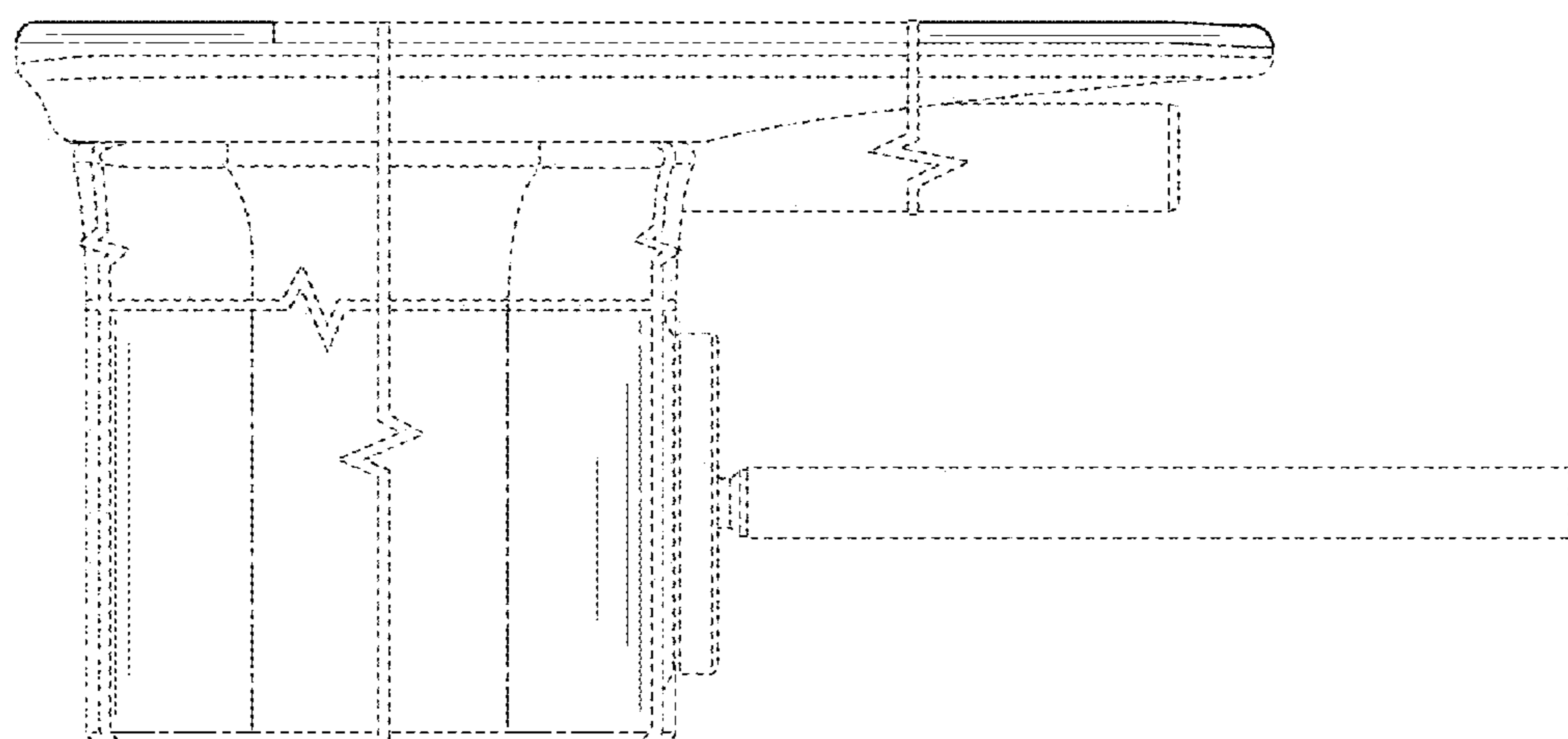


FIG. 5

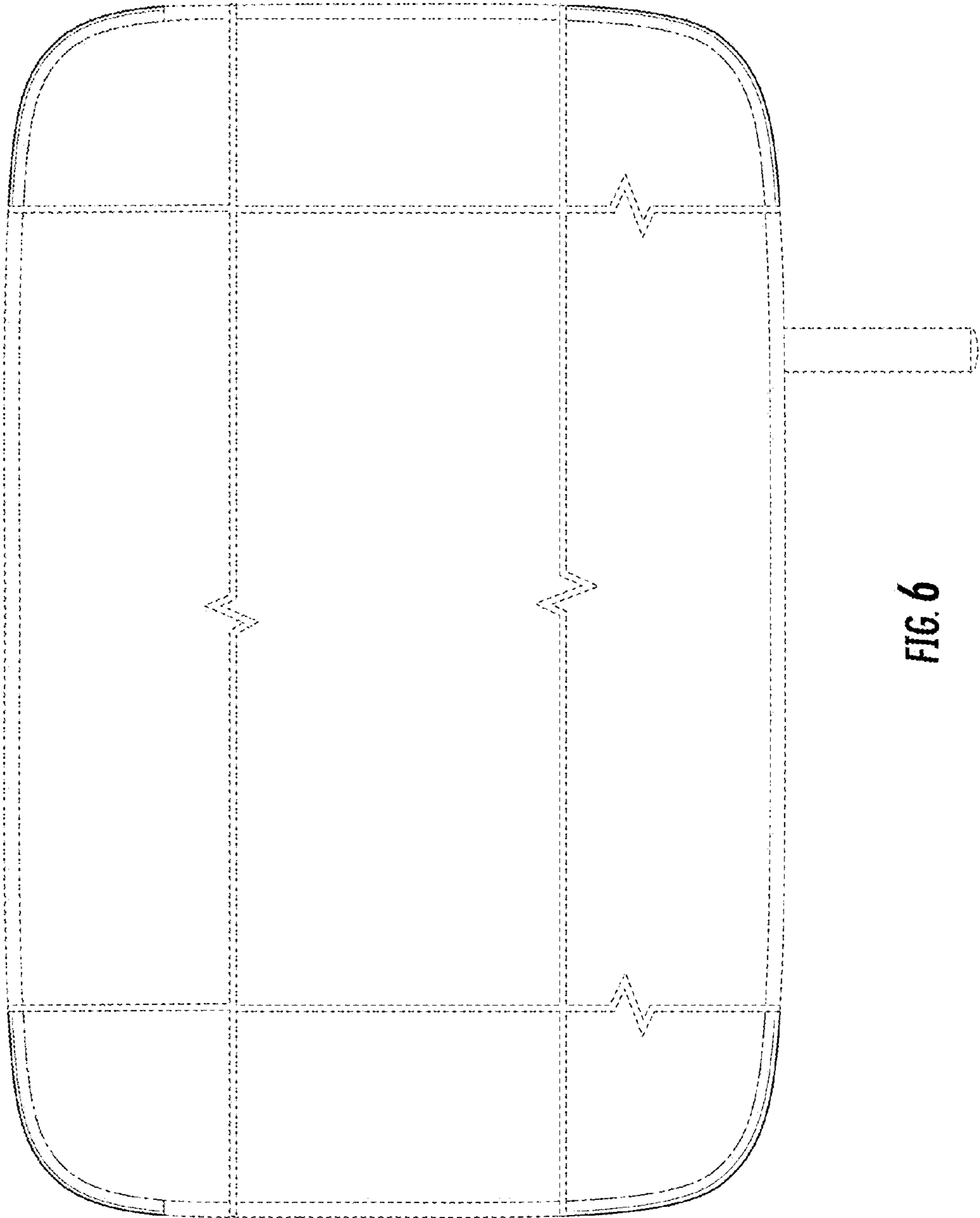


FIG. 6

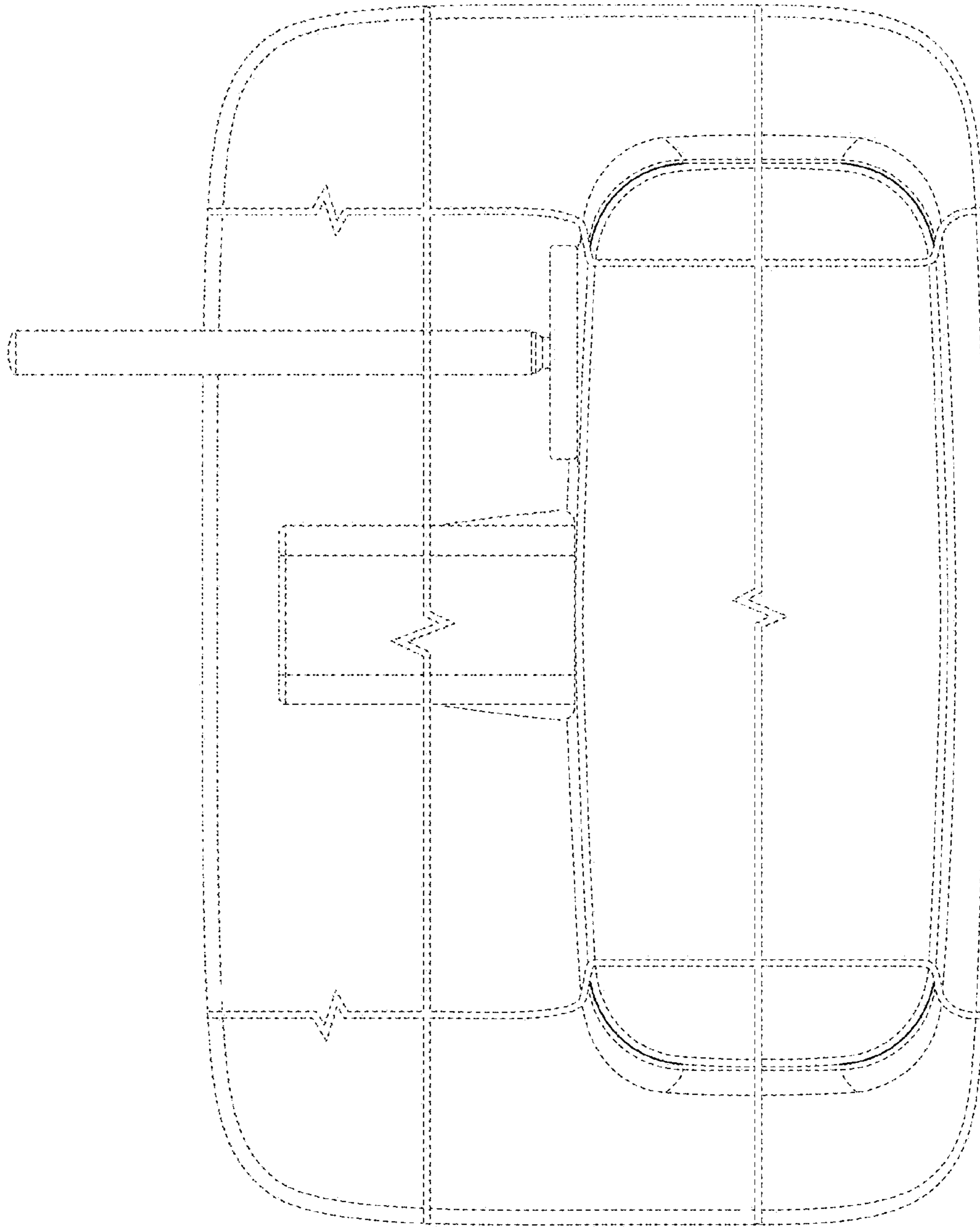


FIG. 7

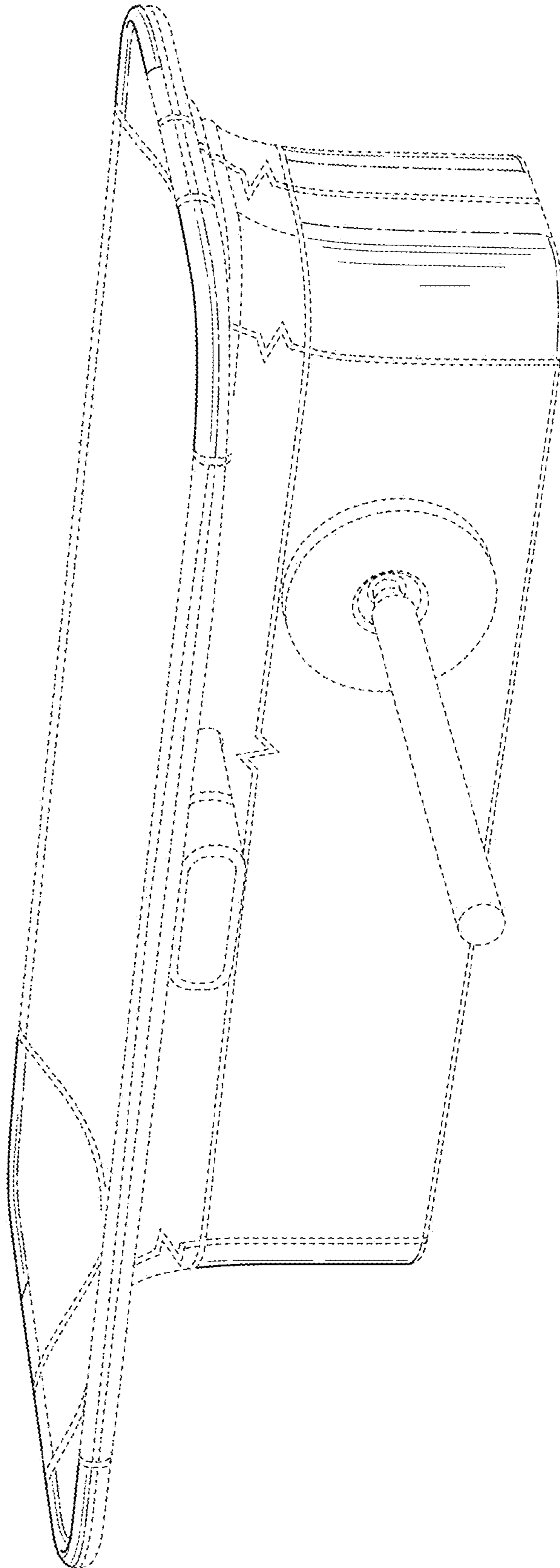


FIG. 8

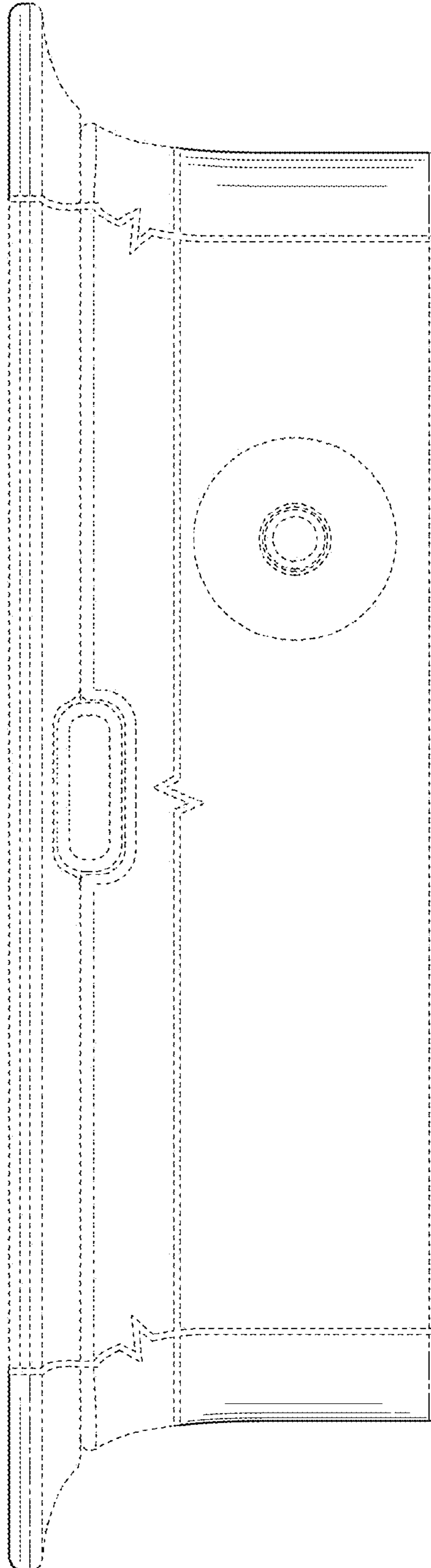


FIG. 9

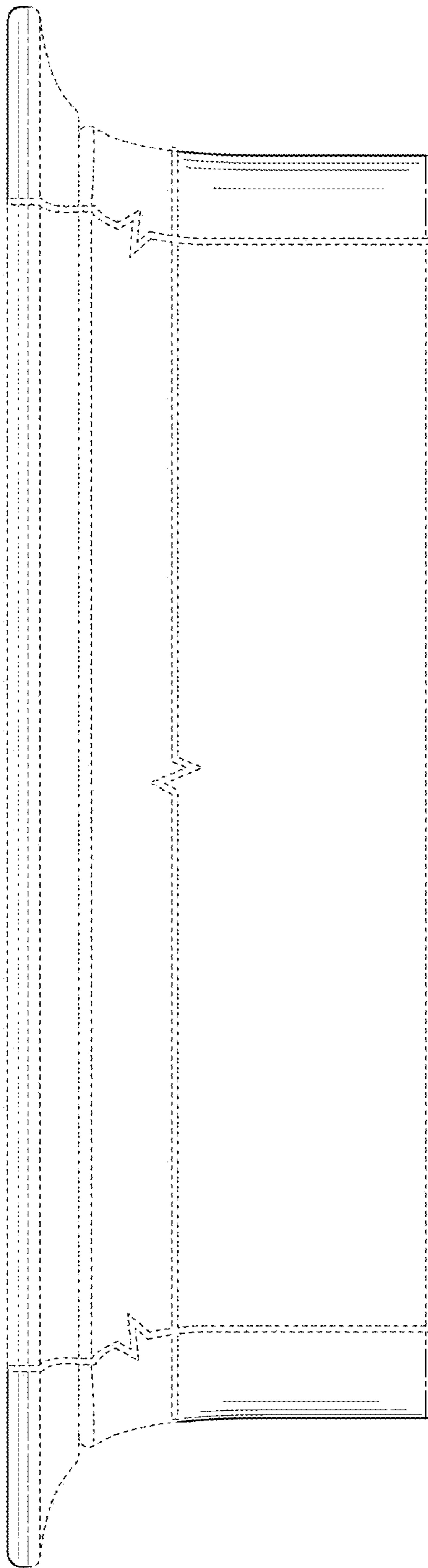


FIG. 10

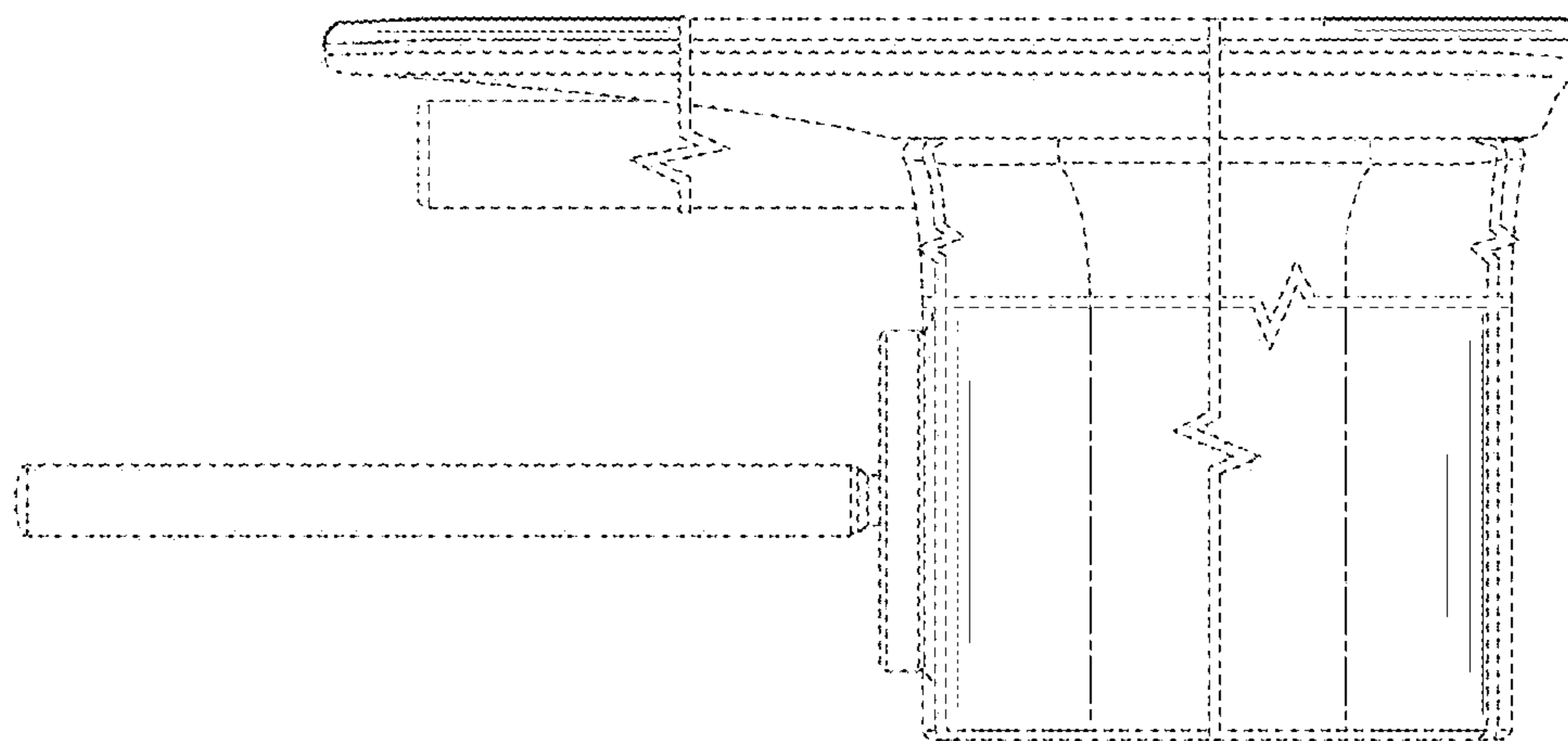


FIG. 11

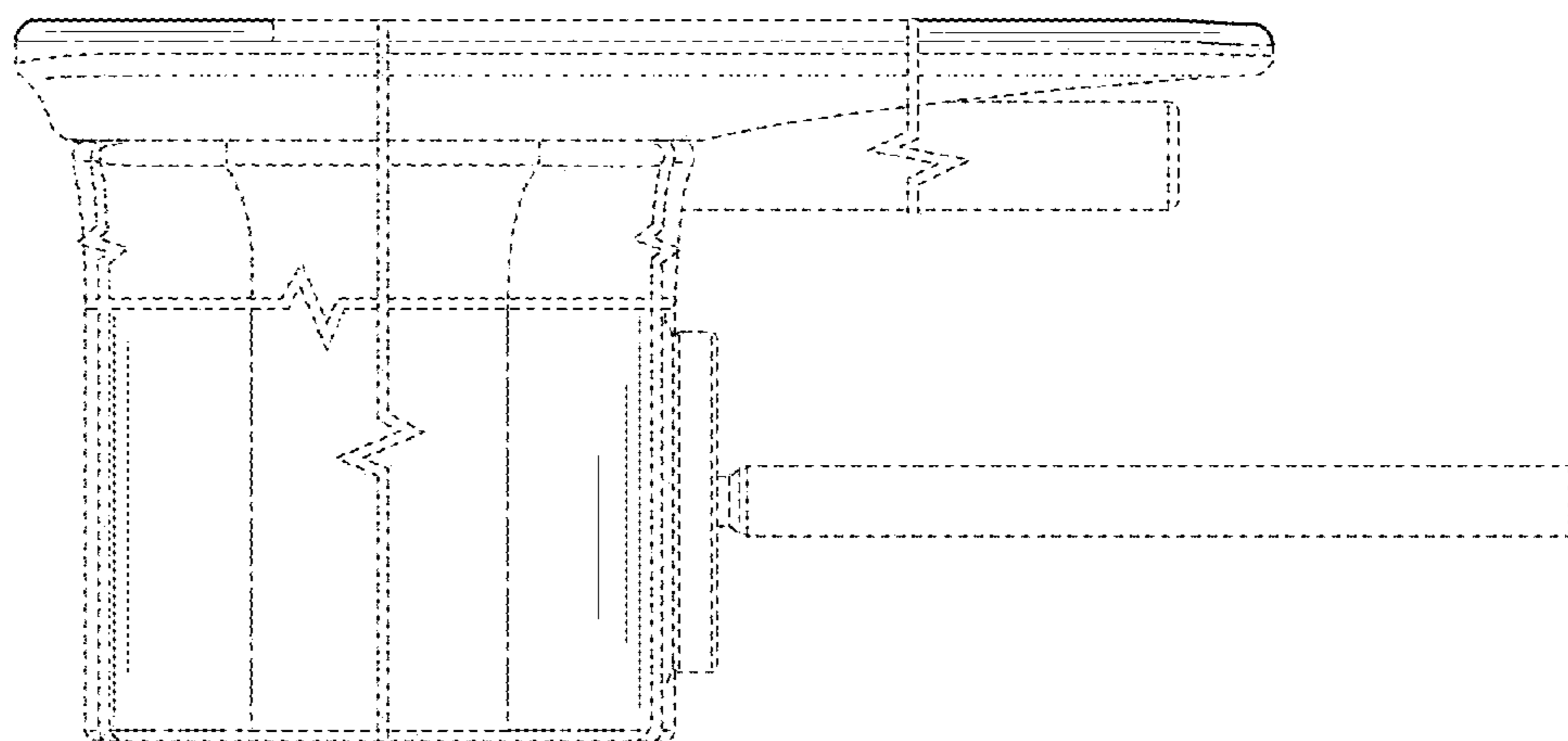


FIG. 12

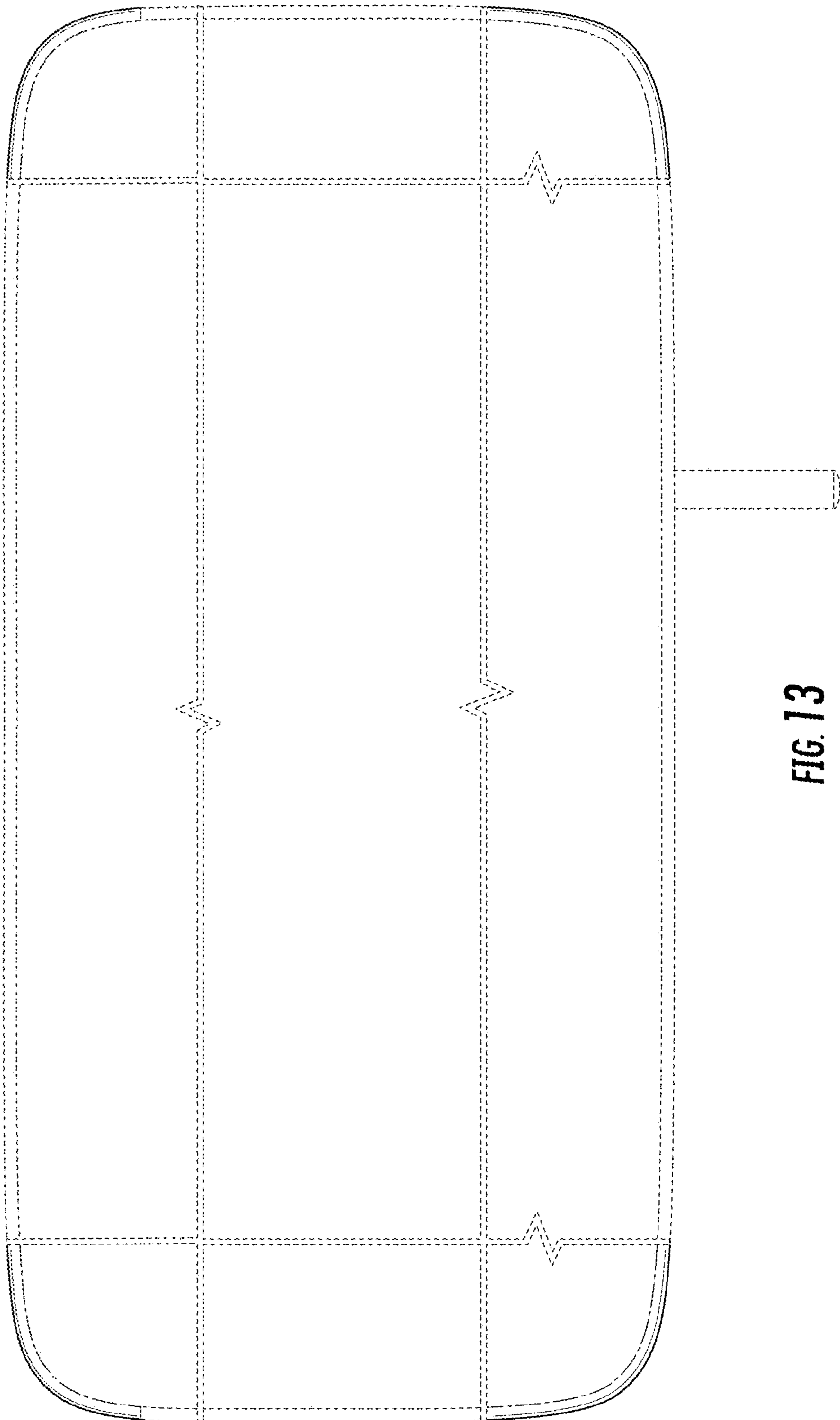


FIG. 13

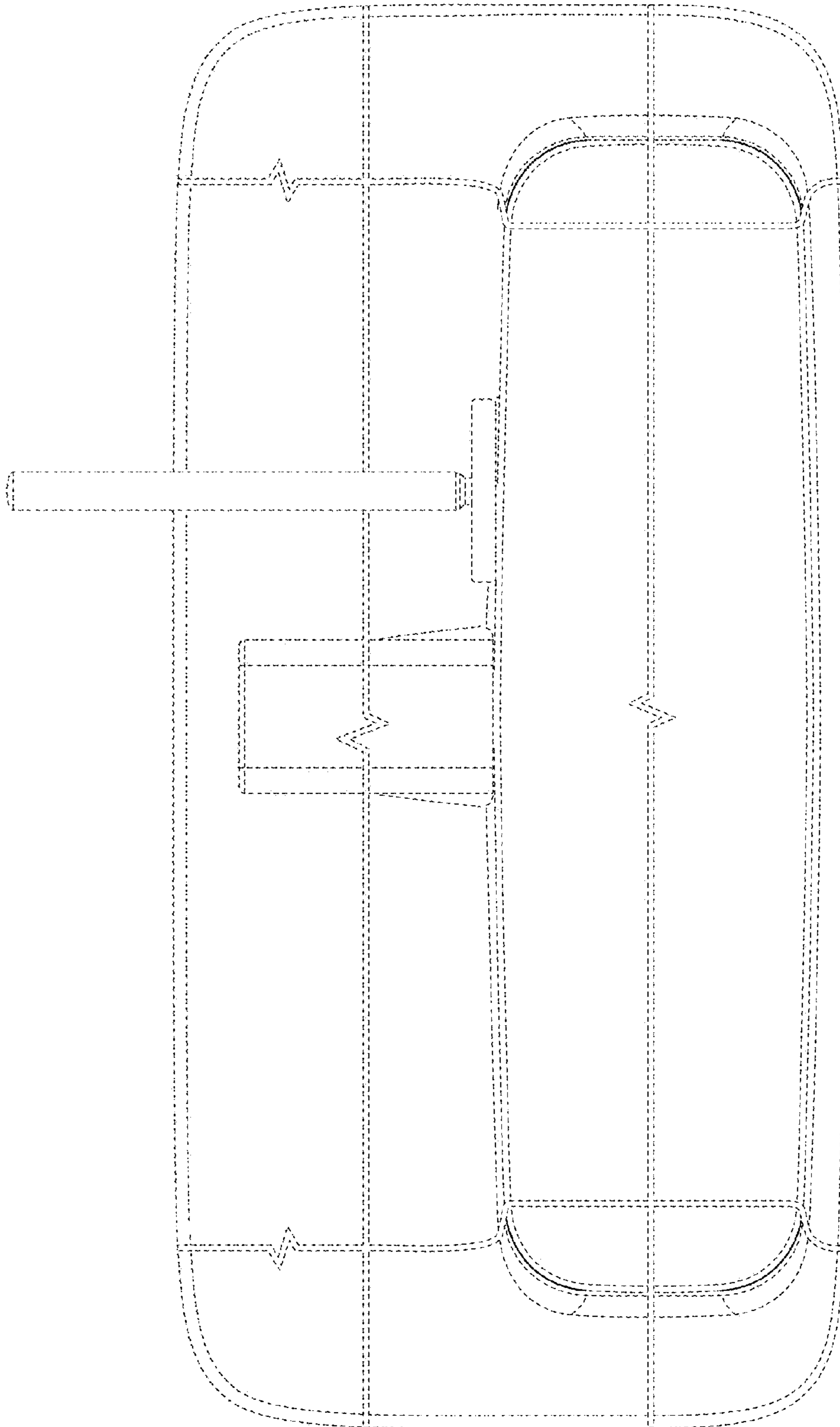


FIG. 14