



US00D764632S

(12) **United States Design Patent**
Slothower

(10) **Patent No.:** **US D764,632 S**

(45) **Date of Patent:** **** Aug. 23, 2016**

- (54) **FAUCET**
- (71) Applicant: **Kohler Co.**, Kohler, WI (US)
- (72) Inventor: **Anna-Pia K. Slothower**, Mill Valley, CA (US)
- (73) Assignee: **KOHLER CO.**, Kohler, WI (US)
- (**) Term: **14 Years**
- (21) Appl. No.: **29/519,931**
- (22) Filed: **Mar. 9, 2015**
- (51) **LOC (10) Cl.** **23-01**
- (52) **U.S. Cl.**
USPC **D23/240**
- (58) **Field of Classification Search**
USPC D23/238-243, 249-250, 252, 254-255, D23/257
CPC E03C 1/04; E03C 1/0401; E03C 1/0402; E03C 1/0404; F16K 31/602; F16K 31/605; F16K 31/607
See application file for complete search history.

- D527,085 S 8/2006 Loberger et al.
- D528,637 S 9/2006 Massaud
- D529,133 S 9/2006 Massaud
- D529,134 S 9/2006 Massaud
- D530,782 S 10/2006 Starck
- D534,989 S 1/2007 Massaud
- D536,767 S 2/2007 Massaud
- D539,400 S 3/2007 Loberger et al.
- 7,406,722 B2 8/2008 Fukuizumi et al.
- D580,524 S 11/2008 Starck

(Continued)

Primary Examiner — Robert Delehanty

(74) *Attorney, Agent, or Firm* — Foley & Lardner LLP

(57) **CLAIM**

I claim the ornamental design for a faucet, as shown and described.

DESCRIPTION

FIG. 1 is a perspective view of an embodiment of the claimed design;
 FIG. 2 is a front view of the embodiment of FIG. 1;
 FIG. 3 is a rear view of the embodiment of FIG. 1;
 FIG. 4 is a side view of the embodiment of FIG. 1;
 FIG. 5 is another side view of the embodiment of FIG. 1;
 FIG. 6 is a top view of the embodiment of FIG. 1; and,
 FIG. 7 is a bottom view of the embodiment of FIG. 1.

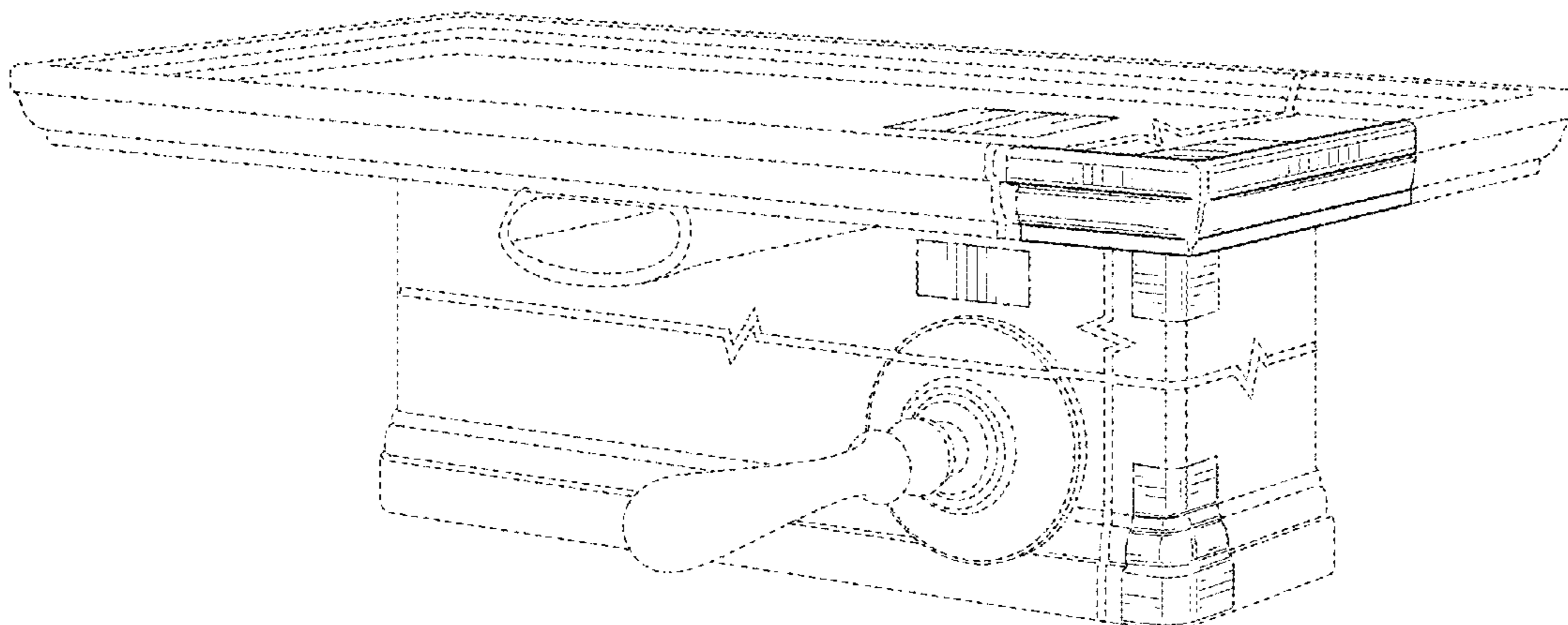
The ornamental design that is claimed is shown in the drawings as solid lines and surfaces having surface shading. The broken lines in the drawings are for illustrative purposes only and form no part of the claimed design. For example, broken lines formed by equal length dashes show unclaimed portions of the design. Broken lines formed of unequal length dashes (i.e., dash-dot) show boundaries between either claimed and unclaimed portions of the design or between unclaimed and unclaimed portions of the design. Break lines having a jagged element are not part of the claimed design and show that differing lengths of the portion are possible.

1 Claim, 6 Drawing Sheets

(56) **References Cited**

U.S. PATENT DOCUMENTS

- D50,631 S * 4/1917 Reid D23/241
- D82,360 S * 10/1930 Albert D23/240
- D147,404 S 9/1947 Fitter
- D149,388 S * 4/1948 Stratmore D23/240
- D153,907 S 5/1949 Smolensky
- 3,451,738 A 6/1969 Hobson
- 4,735,357 A 4/1988 Gregory et al.
- 4,823,414 A 4/1989 Piersimoni et al.
- 5,062,164 A 11/1991 Lee et al.
- 6,206,340 B1 3/2001 Paese et al.
- D509,564 S * 9/2005 Jorgensen D23/238
- D511,821 S 11/2005 Loberger et al.
- D514,664 S 2/2006 Starck



(56)

References Cited

U.S. PATENT DOCUMENTS

D599,596 S *	9/2009	Ghiorghie	D6/536	D641,842 S	7/2011	Loberger et al.	
D610,242 S	2/2010	Loberger et al.		D646,365 S	10/2011	Parekh	
D614,273 S	4/2010	Loberger et al.		8,296,875 B2	10/2012	Loberger et al.	
D617,877 S	6/2010	Bouroullec et al.		D676,530 S *	2/2013	Kwok	D23/252
D622,360 S	8/2010	Bouroullec		D677,364 S *	3/2013	Schoenherr	D23/238
D628,280 S	11/2010	Loberger et al.		D677,365 S	3/2013	Schoenherr et al.	
D637,844 S *	5/2011	Kraemer	D6/536	D692,535 S *	10/2013	Kington	D23/238
				D708,712 S	7/2014	Yu	
				8,857,786 B2	10/2014	Bayley et al.	

* cited by examiner

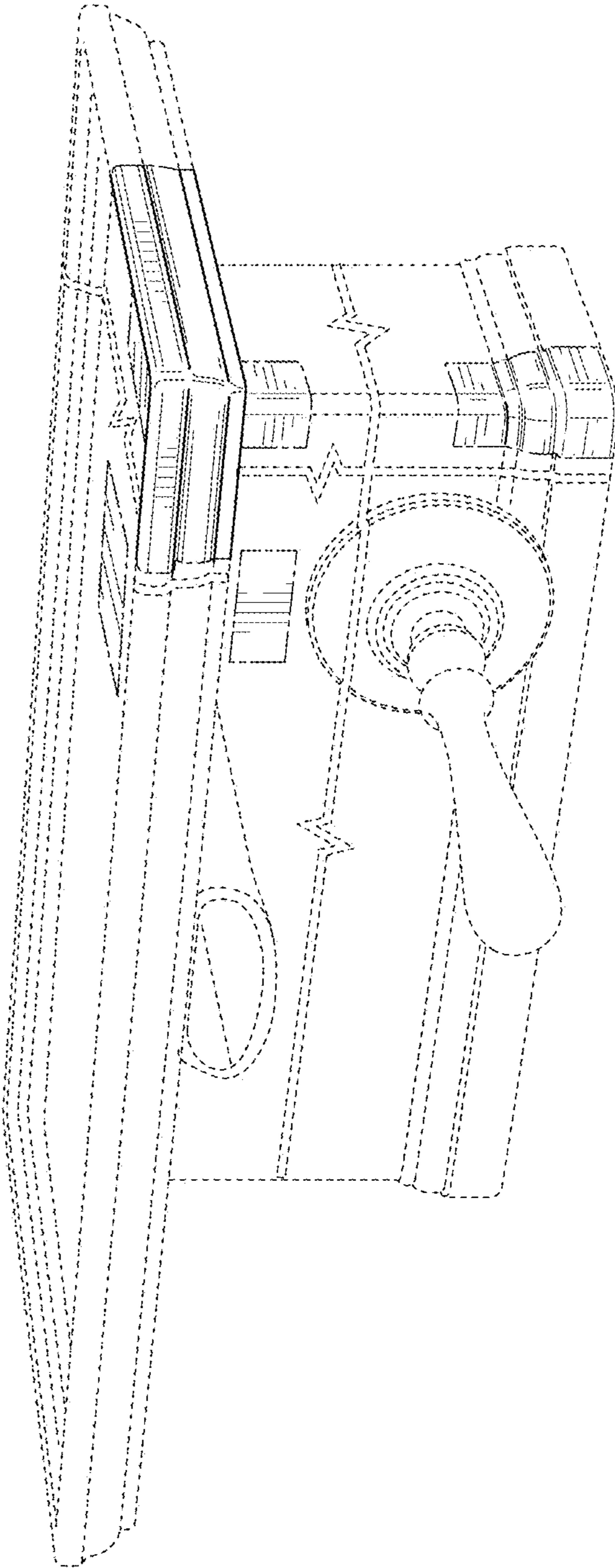


FIG. 1

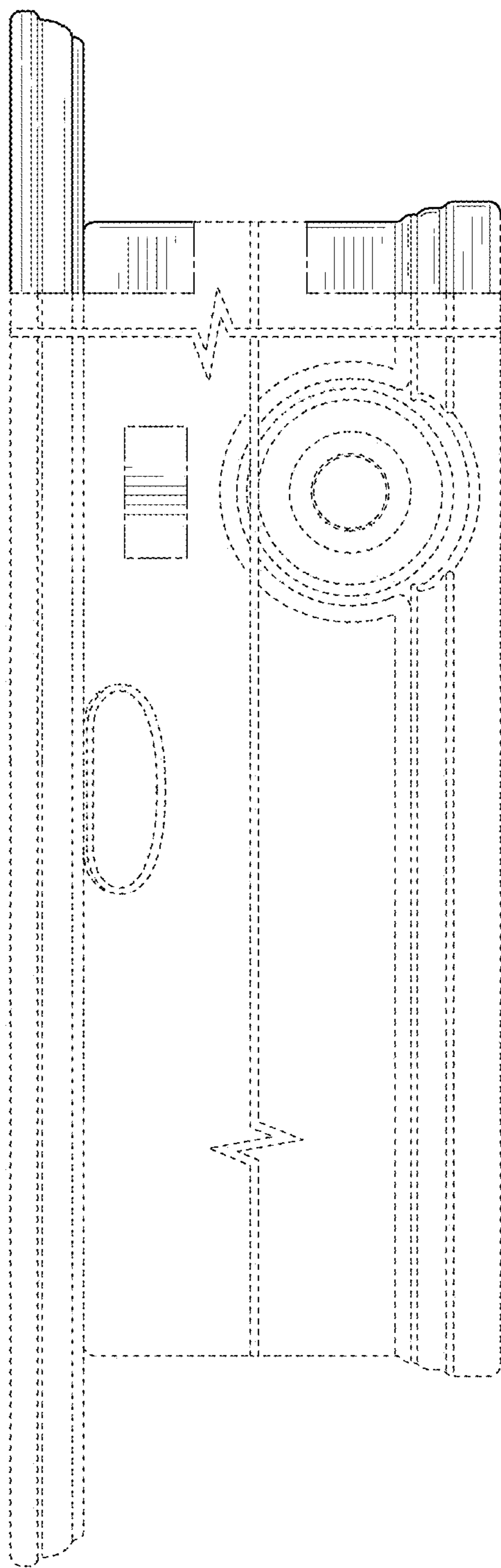


FIG. 2

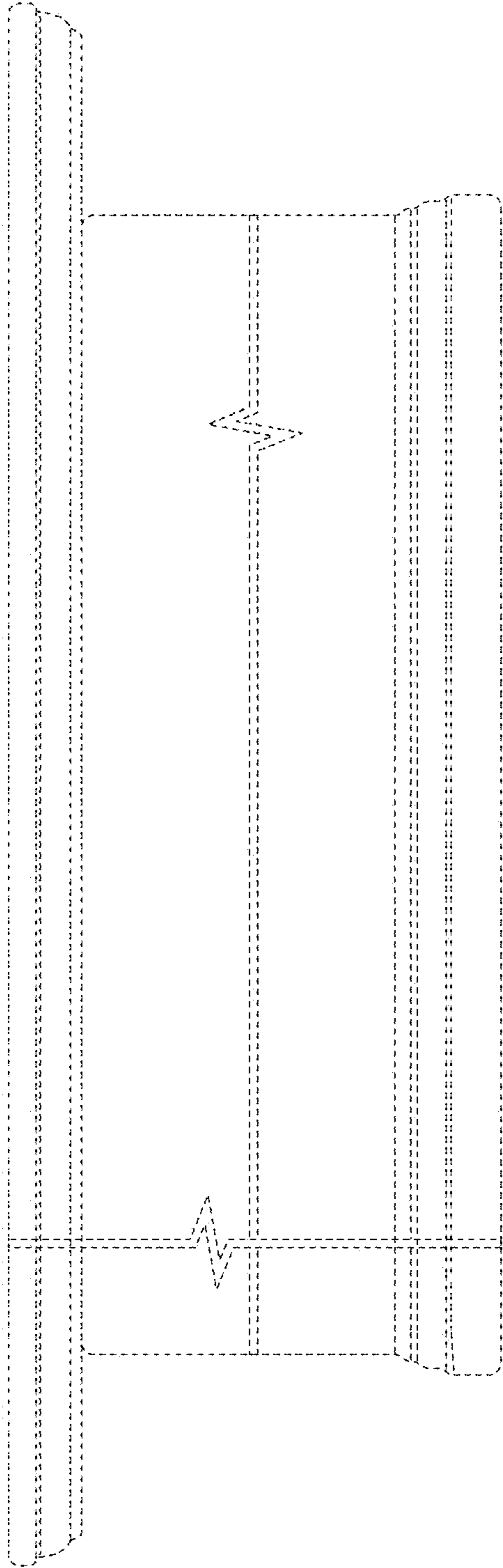


FIG. 3

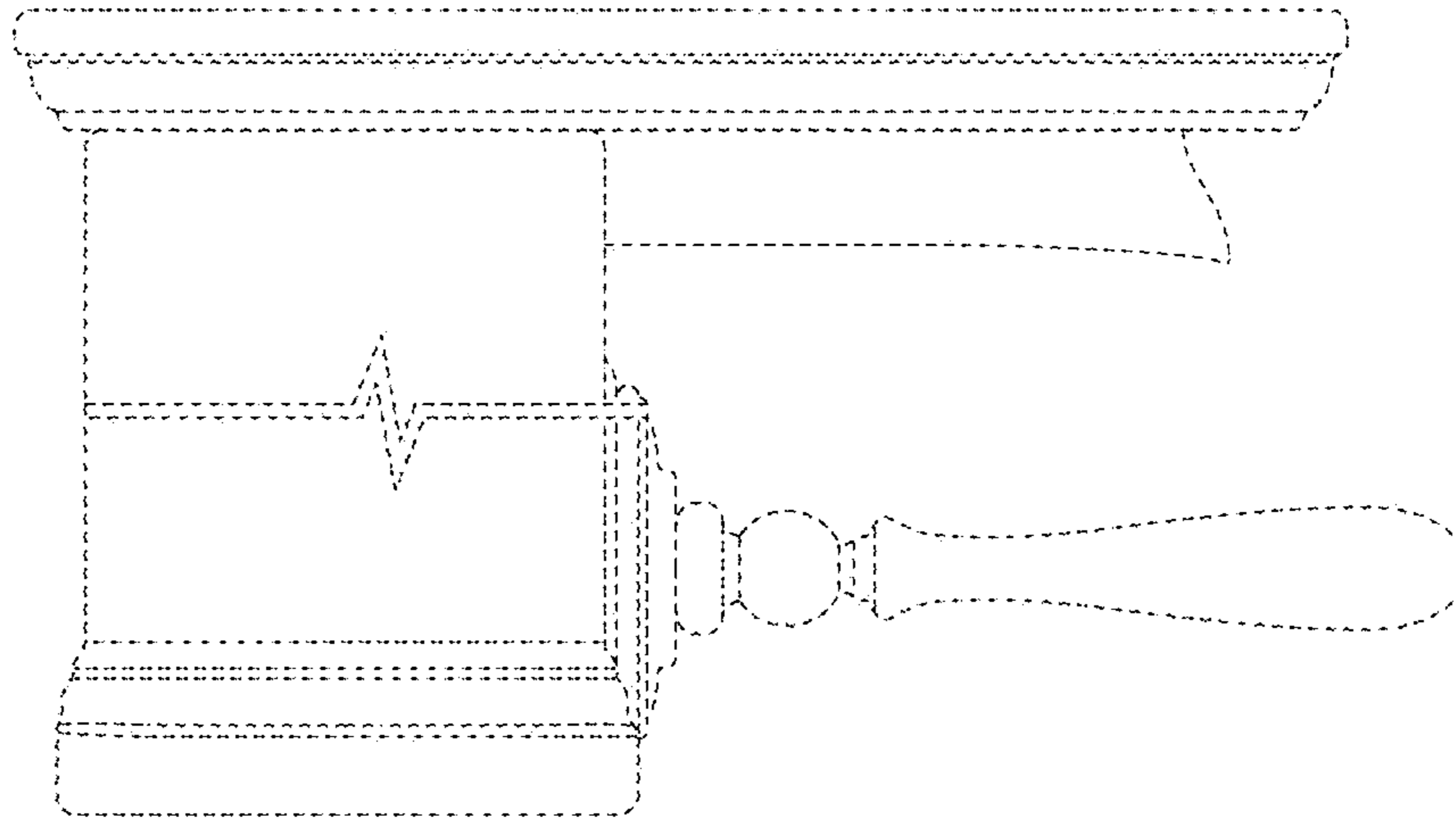


FIG. 4

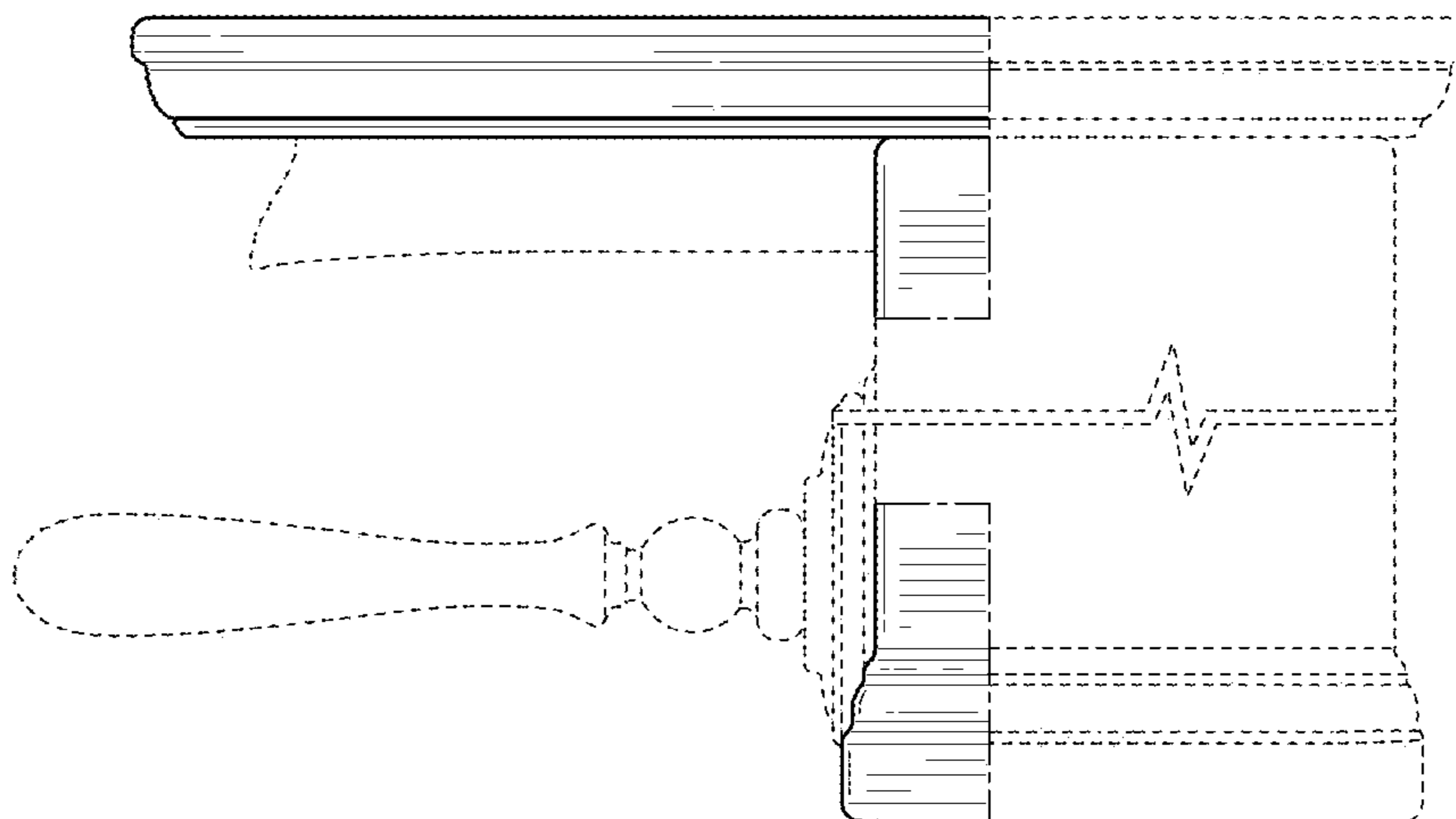


FIG. 5

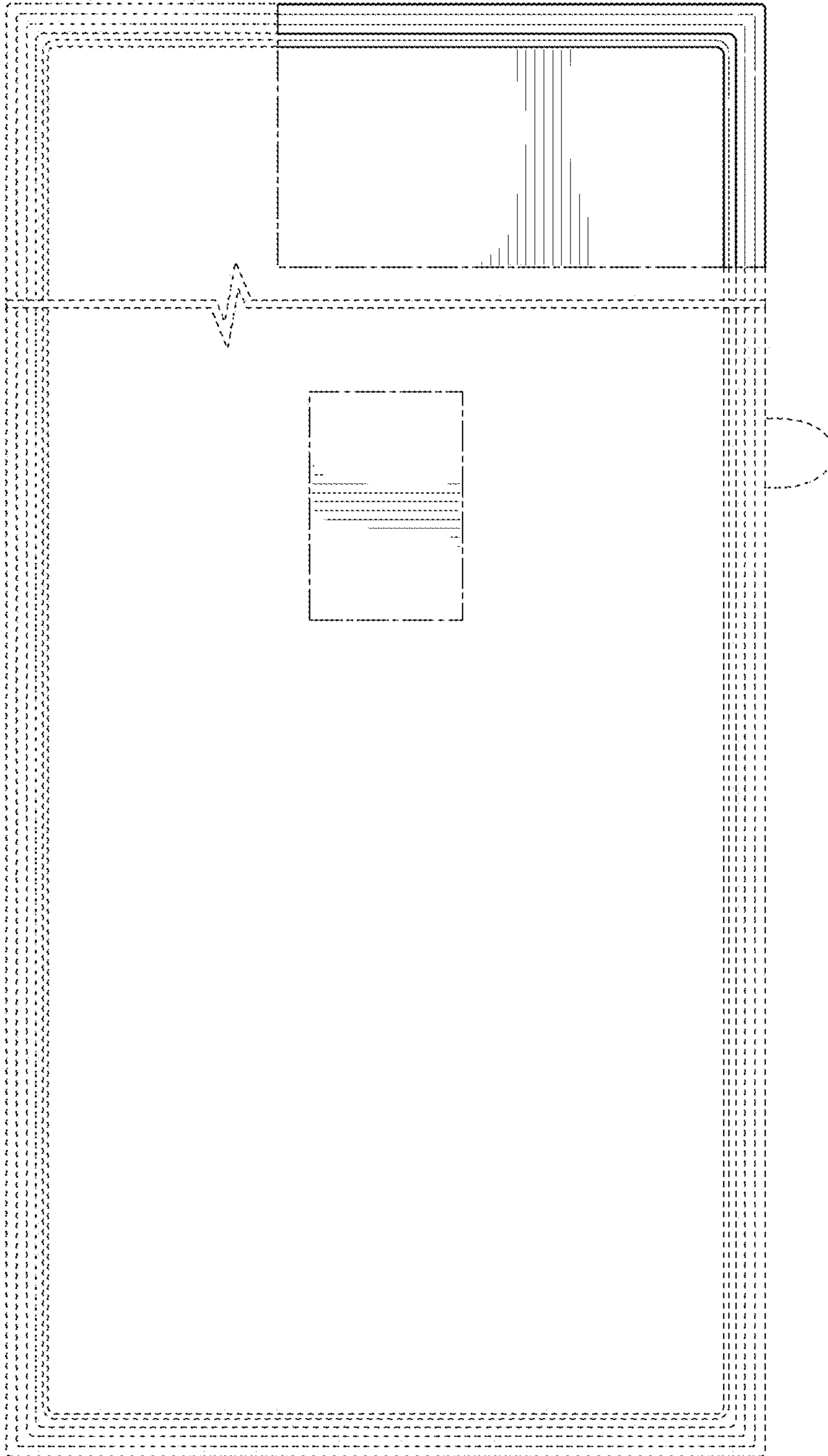


FIG. 6

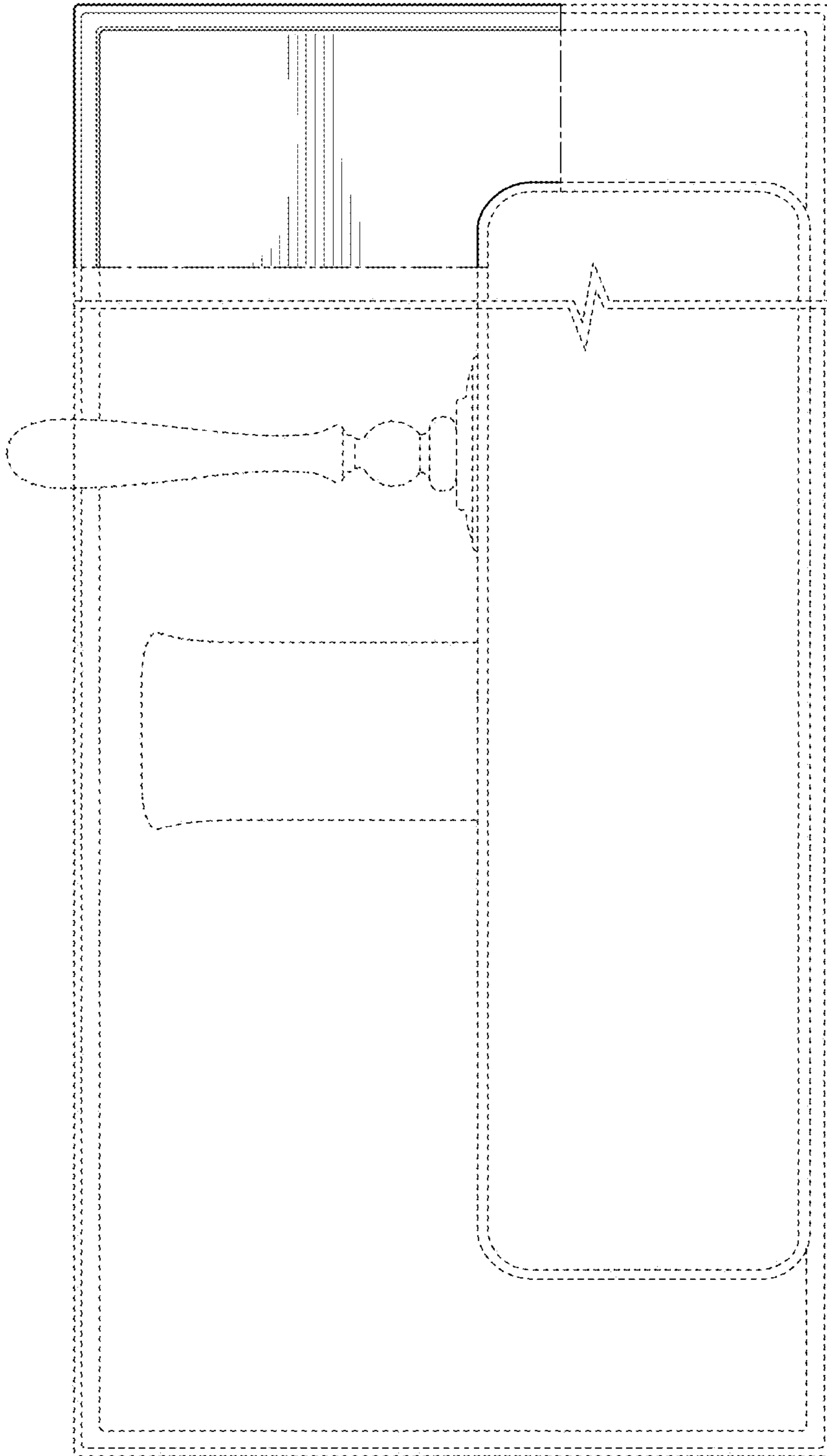


FIG. 7