



US00D764630S

(12) **United States Design Patent**
Sutton et al.

(10) **Patent No.:** **US D764,630 S**
(45) **Date of Patent:** **** Aug. 23, 2016**

(54) **VENTURI METER**

(71) Applicants: **James T. Sutton**, Osseo, MN (US);
Aaron W. Cerny, Osseo, MN (US)

(72) Inventors: **James T. Sutton**, Osseo, MN (US);
Aaron W. Cerny, Osseo, MN (US)

(**) Term: **15 Years**

(21) Appl. No.: **29/535,963**

(22) Filed: **Aug. 12, 2015**

(51) **LOC (10) Cl.** **23-01**

(52) **U.S. Cl.**
USPC **D23/235**

(58) **Field of Classification Search**
USPC D23/233-250, 418; 137/502, 484.2,
137/512.1, 528; 73/152.29, 861.6, 861.63;
D7/402, 403, 404, 407, 332-337;
417/179, 189, 174; 285/115, 125.1,
285/332.4, 347; D13/101
CPC G01F 1/44; B01F 3/04503; F24F 11/04;
F04F 5/54; F04F 5/20
See application file for complete search history.

(56) **References Cited**

U.S. PATENT DOCUMENTS

1,805,236 A * 5/1931 Connet G01F 1/44
138/40
D289,003 S * 3/1987 Koziol D23/415
D297,560 S * 9/1988 LeBreton D23/233
D317,997 S * 7/1991 Koziol D7/407
D464,530 S * 10/2002 Lu D7/407

7,299,707 B1 * 11/2007 Evans G01F 1/44
73/861.63
D726,105 S * 4/2015 Williams D13/101
2012/0206993 A1 * 8/2012 Casper B01F 3/04503
366/163.2
2013/0233411 A1 * 9/2013 Donohue F24F 11/04
137/502
2015/0285401 A1 * 10/2015 Niedert F02M 35/10118
137/484.2
2015/0354600 A1 * 12/2015 Fletcher F04F 5/54
417/179
2016/0010661 A1 * 1/2016 Fletcher F04F 5/20
417/174

* cited by examiner

Primary Examiner — Cynthia Ramirez

Assistant Examiner — Gino Colan

(74) *Attorney, Agent, or Firm* — Dave Alan Lingbeck

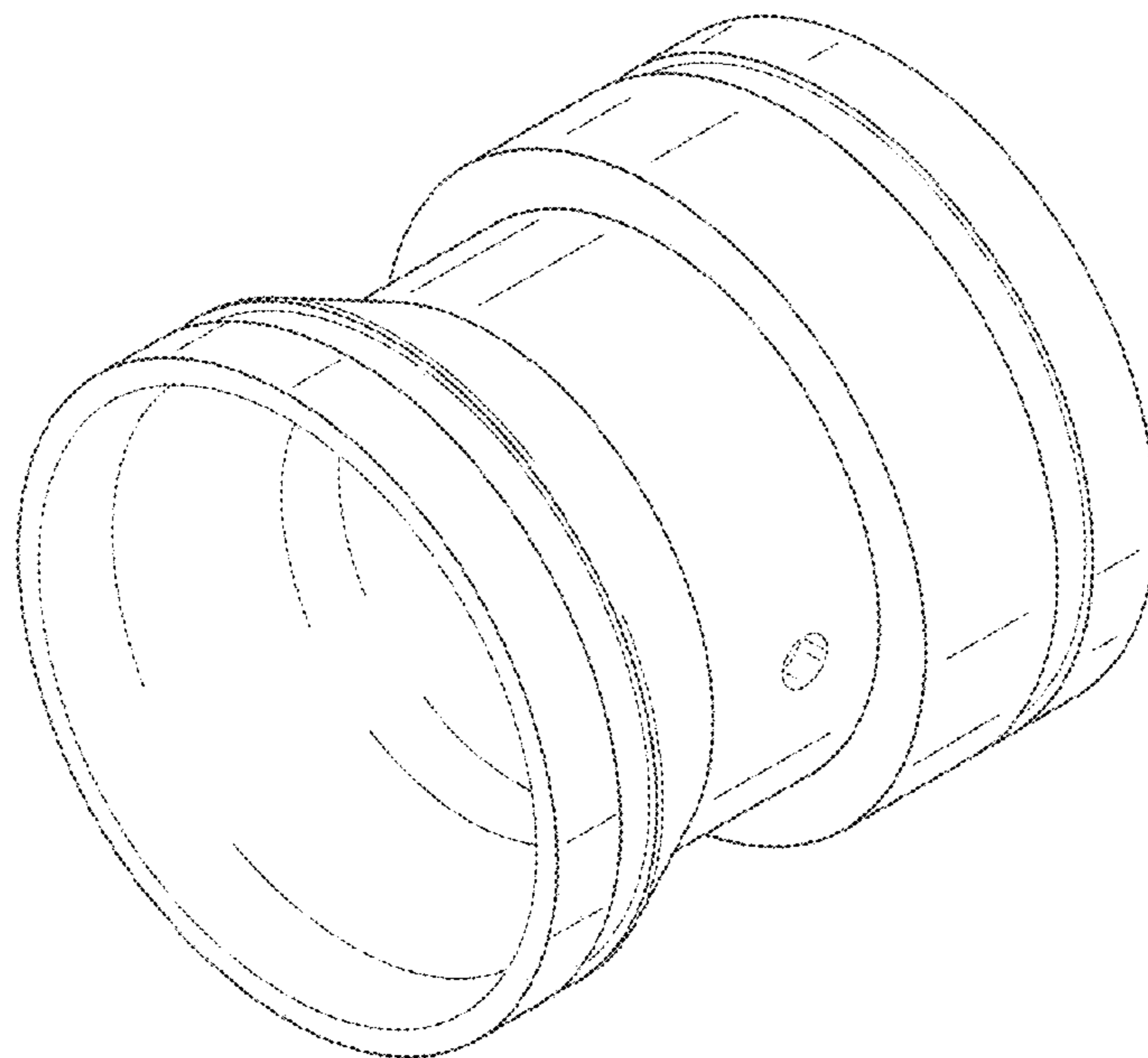
(57) **CLAIM**

The ornamental design for a venturi meter, as shown and described.

DESCRIPTION

FIG. 1 is perspective view of the venturi meter showing our new design;
FIG. 2 is a front elevational view thereof;
FIG. 3 is a right elevational view the venturi meter;
FIG. 4 is a back elevational view thereof;
FIG. 5 is a cross-sectional view thereof as shown along line 5 of FIG. 3;
FIG. 6 is an inlet end elevational view thereof; and,
FIG. 7 is an outlet end elevational view thereof.

1 Claim, 6 Drawing Sheets



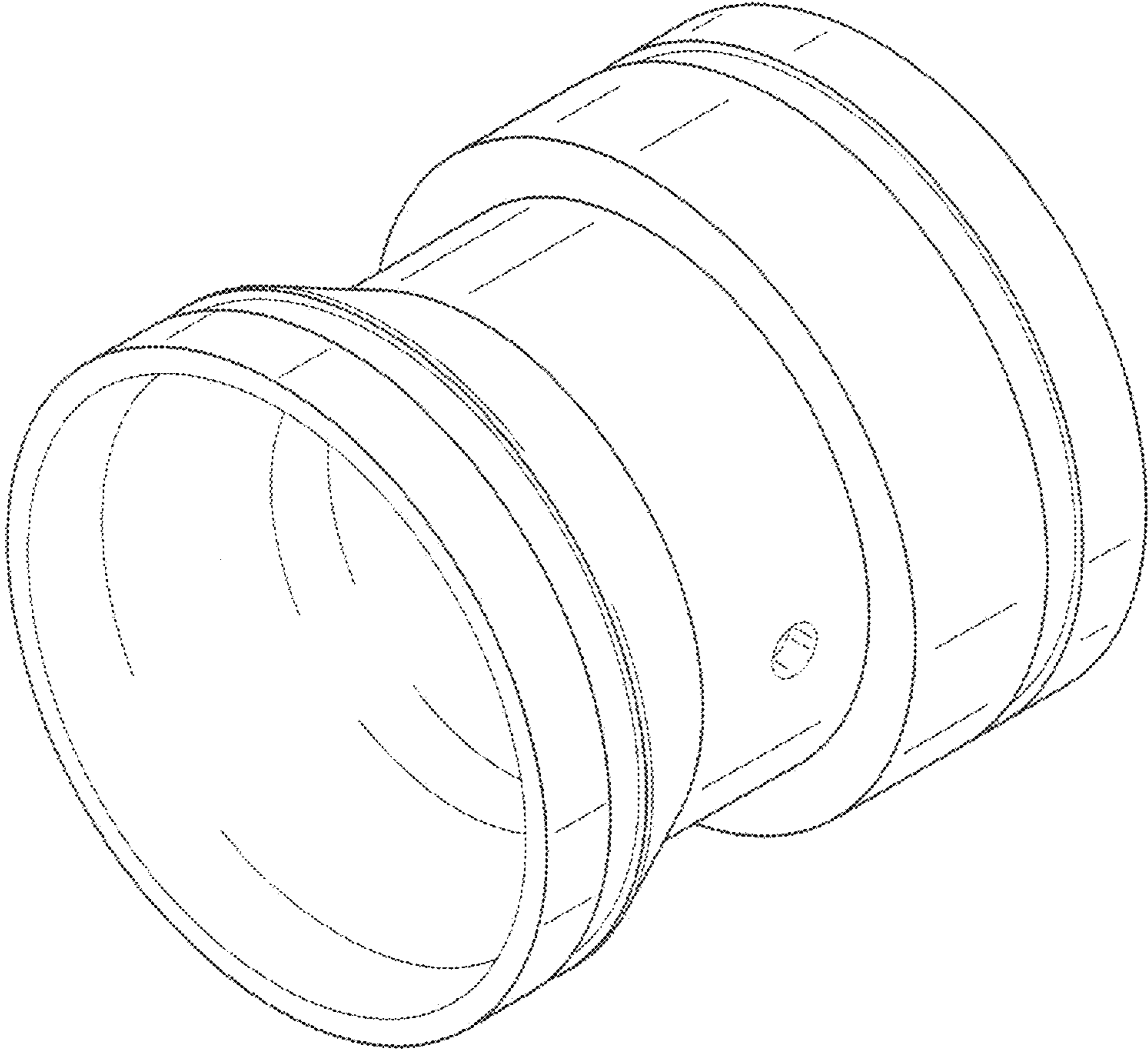


FIG. 1

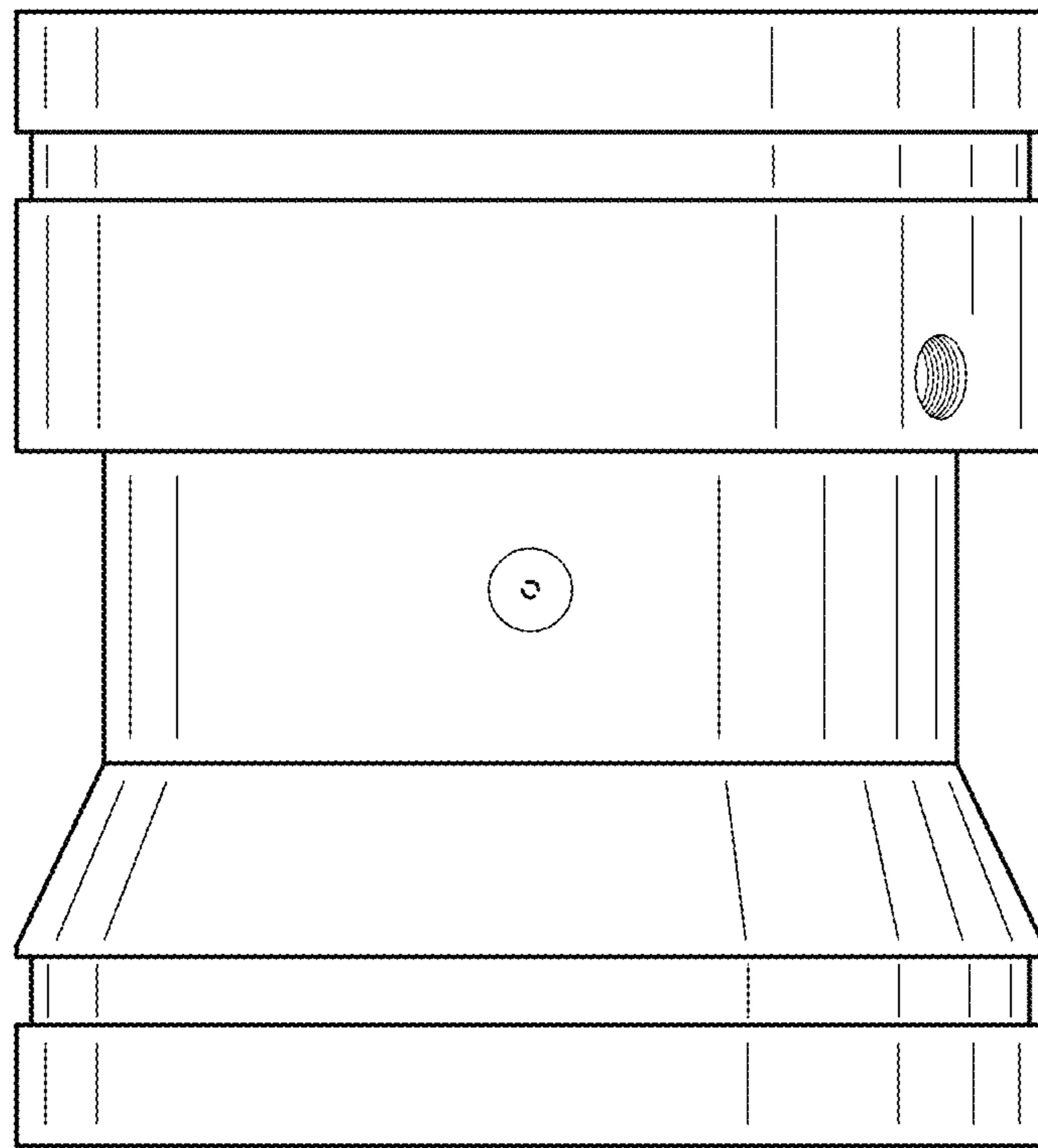


FIG. 2

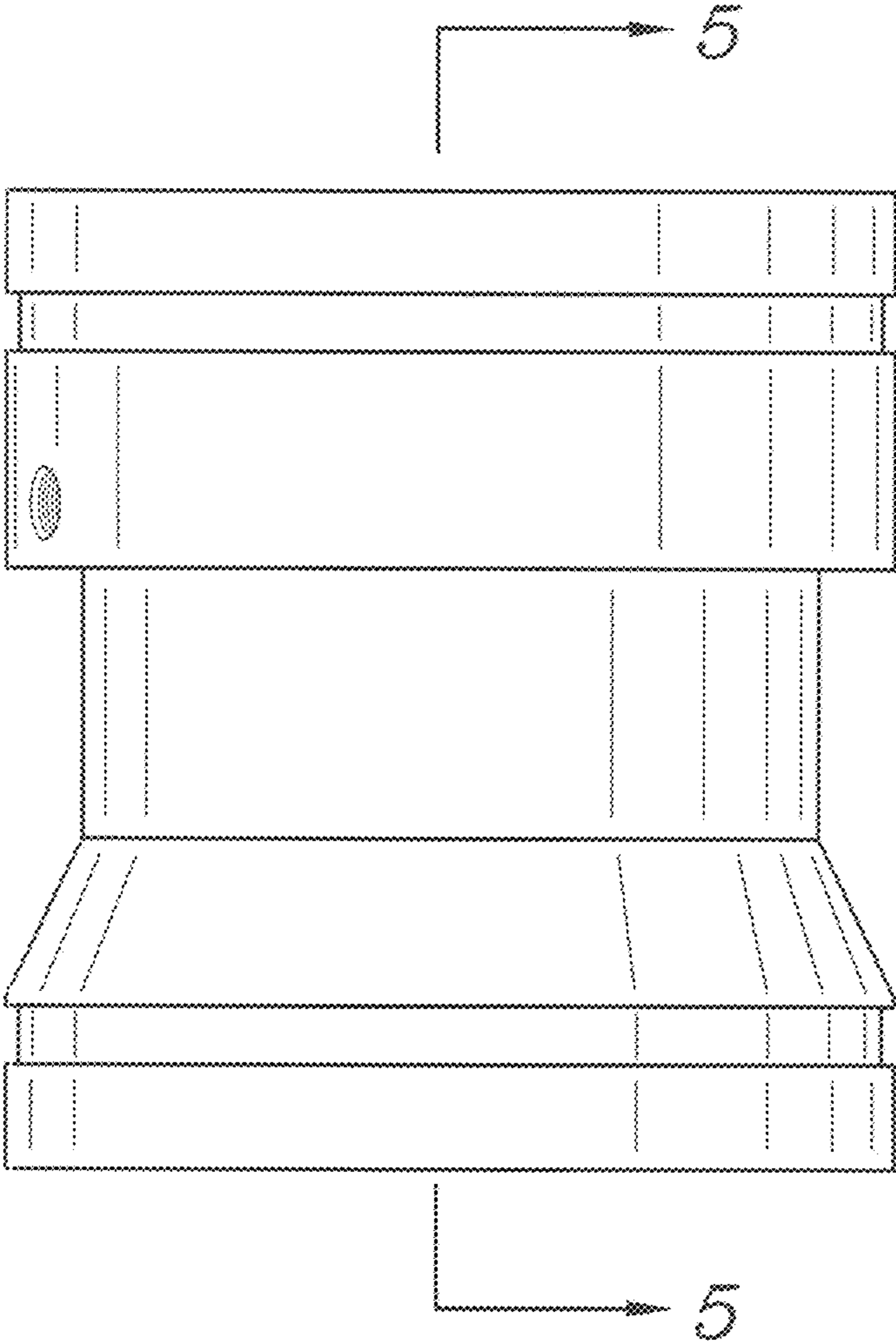


FIG. 3

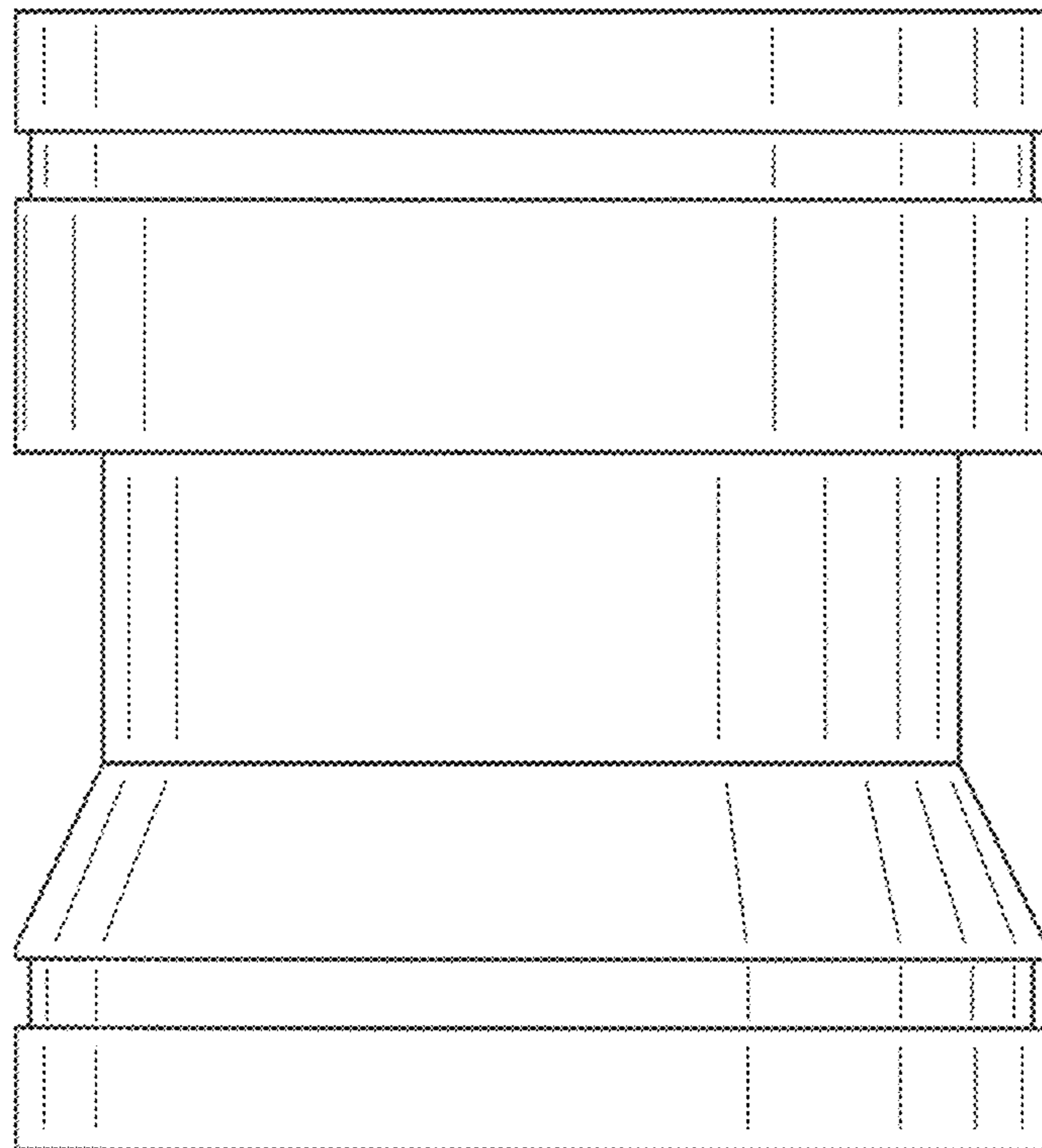


FIG. 4

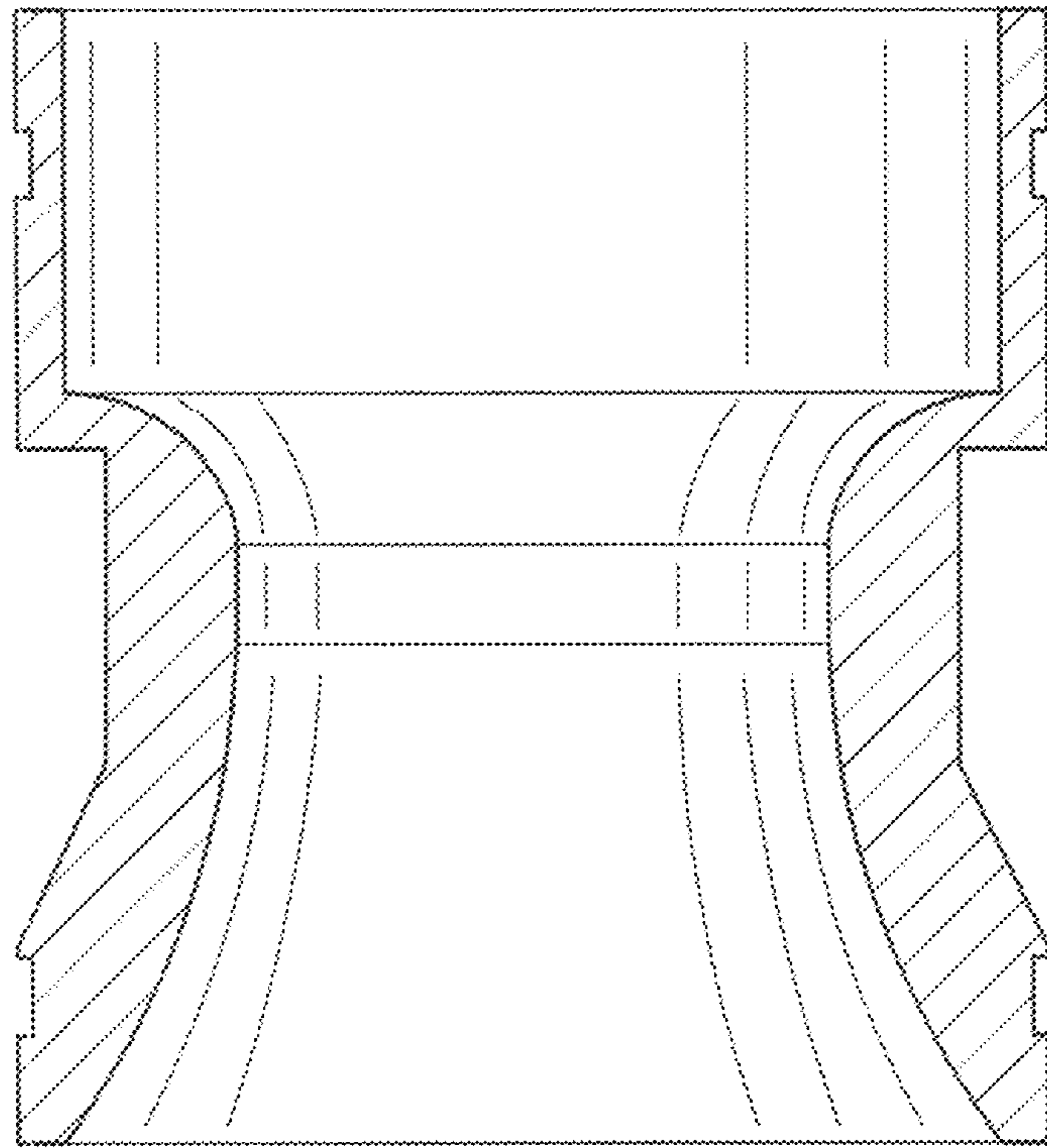


FIG. 5

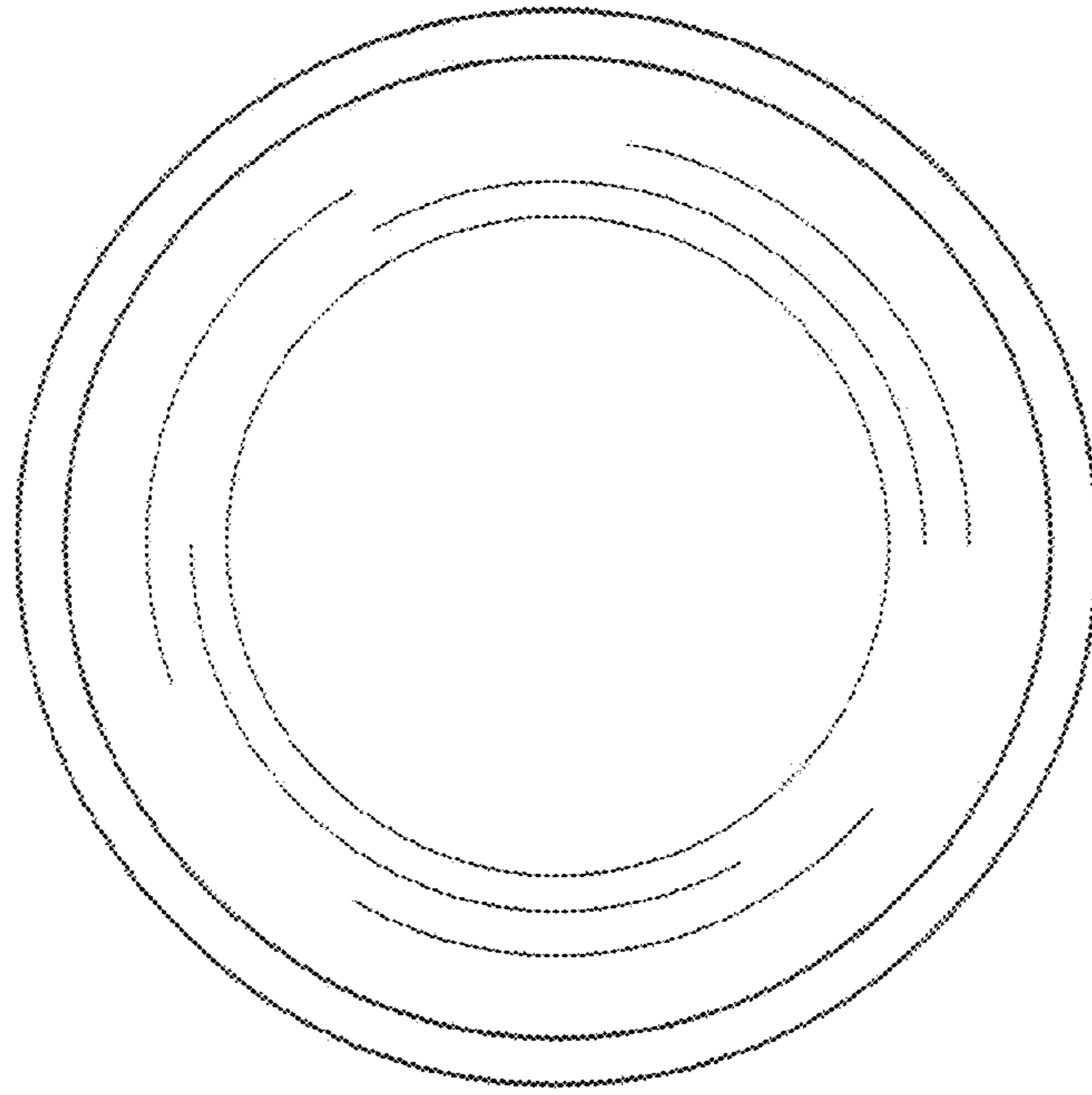


FIG. 6

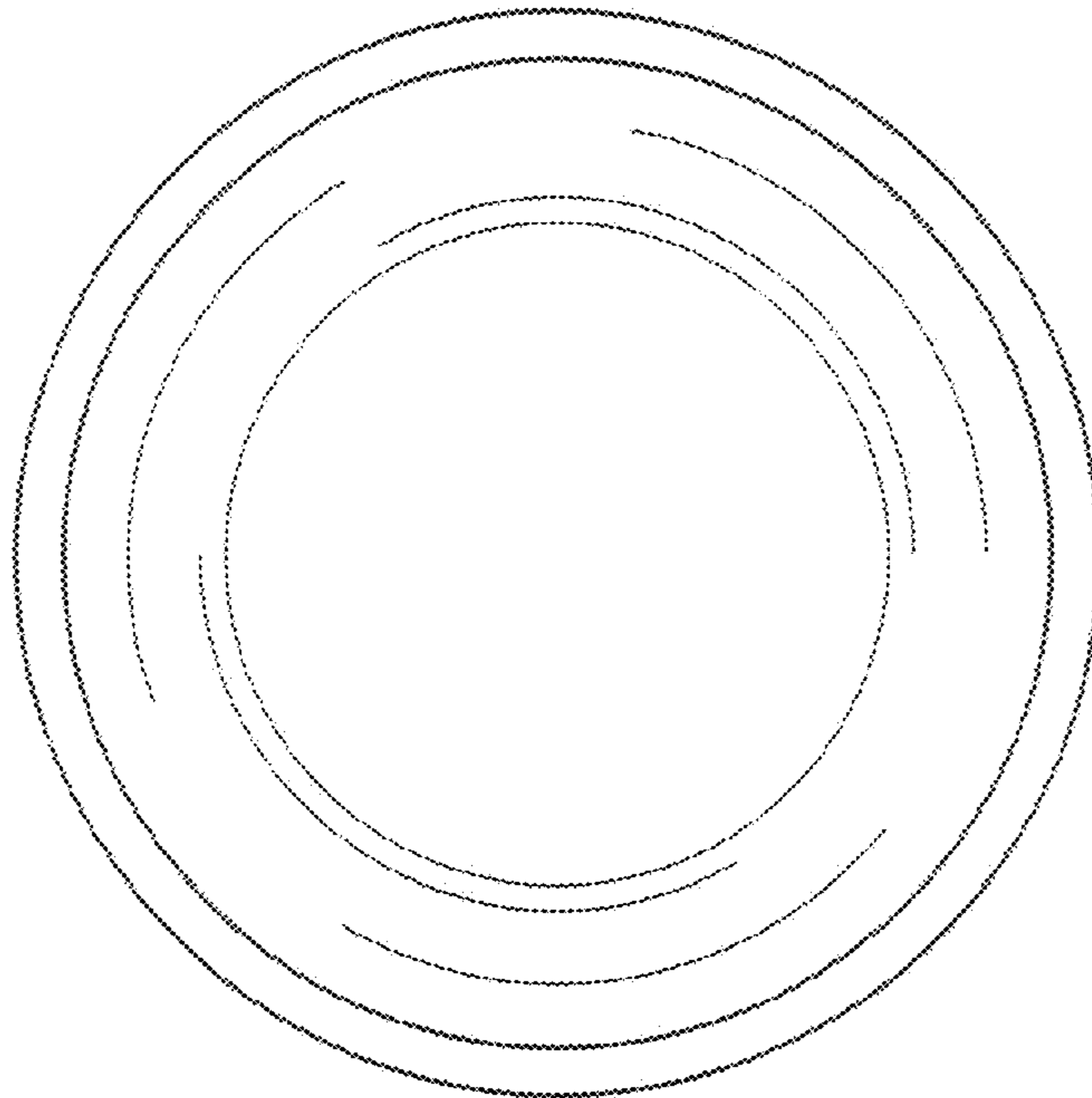


FIG. 7