



US00D764628S

(12) **United States Design Patent**  
**Tullney**

(10) **Patent No.:** **US D764,628 S**

(45) **Date of Patent:** **\*\* Aug. 23, 2016**

(54) **SPRAY GUN**

(71) Applicant: **Wagner Spray Tech Corporation**,  
Plymouth, MN (US)

(72) Inventor: **Heiko Tullney**, Hamburg (DE)

(73) Assignee: **Wagner Spray Tech Corporation**,  
Plymouth, MN (US)

(\*\*) Term: **14 Years**

(21) Appl. No.: **29/524,410**

(22) Filed: **Apr. 20, 2015**

(51) **LOC (10) Cl.** ..... **23-01**

(52) **U.S. Cl.**  
USPC ..... **D23/226**

(58) **Field of Classification Search**  
USPC ..... D23/213, 225, 226; 239/290, 291, 690,  
239/691  
CPC ..... B05B 5/1691; B05B 9/01; B05B 7/241;  
B05B 7/2405; B05B 7/2408; B05B 9/08;  
B05B 5/043  
See application file for complete search history.

(56) **References Cited**

**U.S. PATENT DOCUMENTS**

D412,965 S *	8/1999	Kieffer	.....	D23/226
D545,943 S *	7/2007	Rodgers	.....	D23/226
D573,227 S *	7/2008	Mirazita	.....	D23/226
D581,483 S *	11/2008	Bass	.....	D23/223
D641,067 S *	7/2011	Wang	.....	D23/226
D689,593 S *	9/2013	Schmon	.....	D23/226
D692,531 S *	10/2013	Li	.....	D23/225
D734,429 S *	7/2015	Wang	.....	D23/226

**OTHER PUBLICATIONS**

“G15/G40 Manual Air-Assist Spray guns designed for exceptional spray quality and ease of use”, available at least as of Apr. 19, 2015, 8 pages, [www.graco.com/content/dam/graco/ipd/literature/flyers/336937/336937EN-e.pdf](http://www.graco.com/content/dam/graco/ipd/literature/flyers/336937/336937EN-e.pdf).

(Continued)

*Primary Examiner* — Robin V Webster

(74) *Attorney, Agent, or Firm* — Christopher J. Volkmann;  
Kelly, Holt & Christenson, PLLC

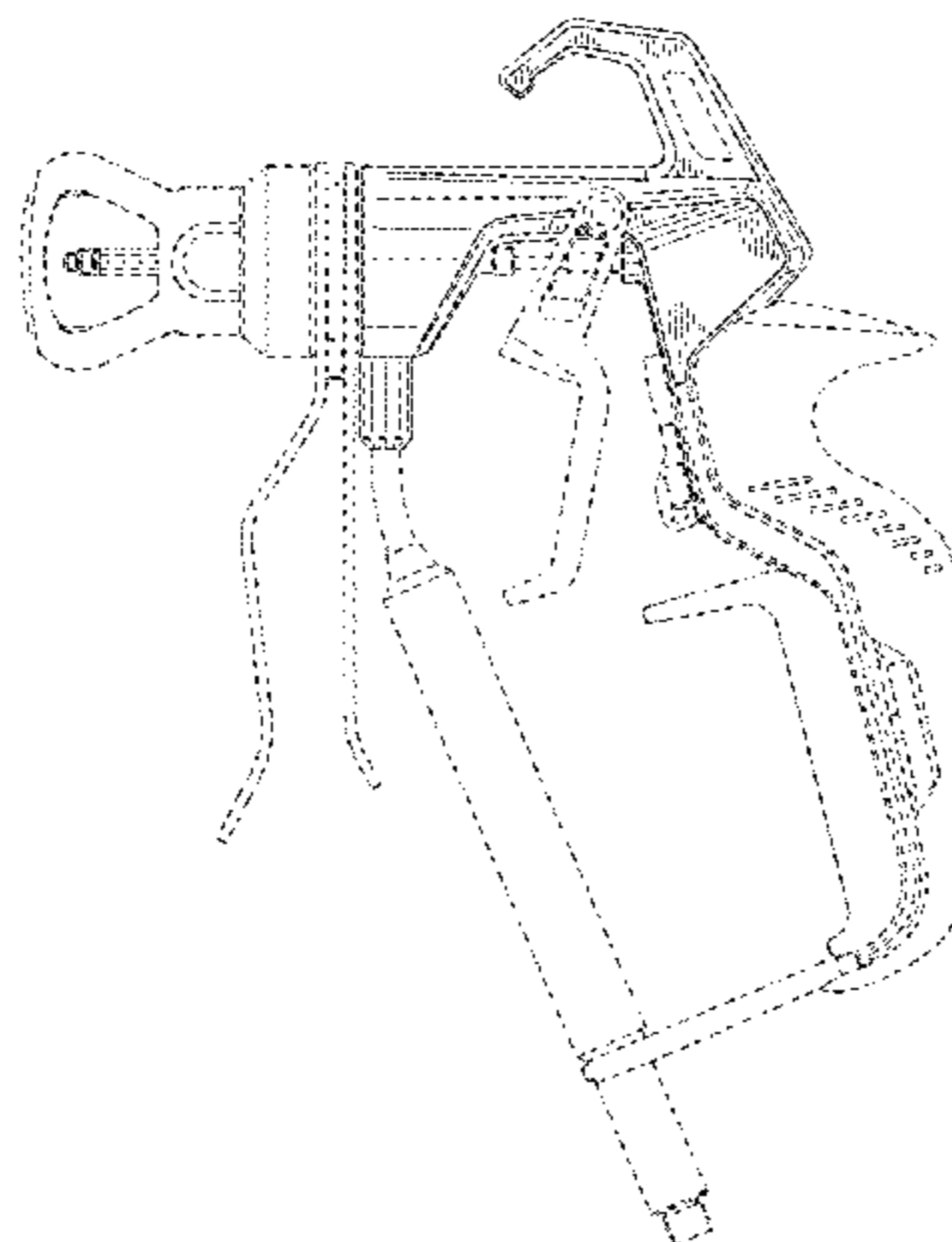
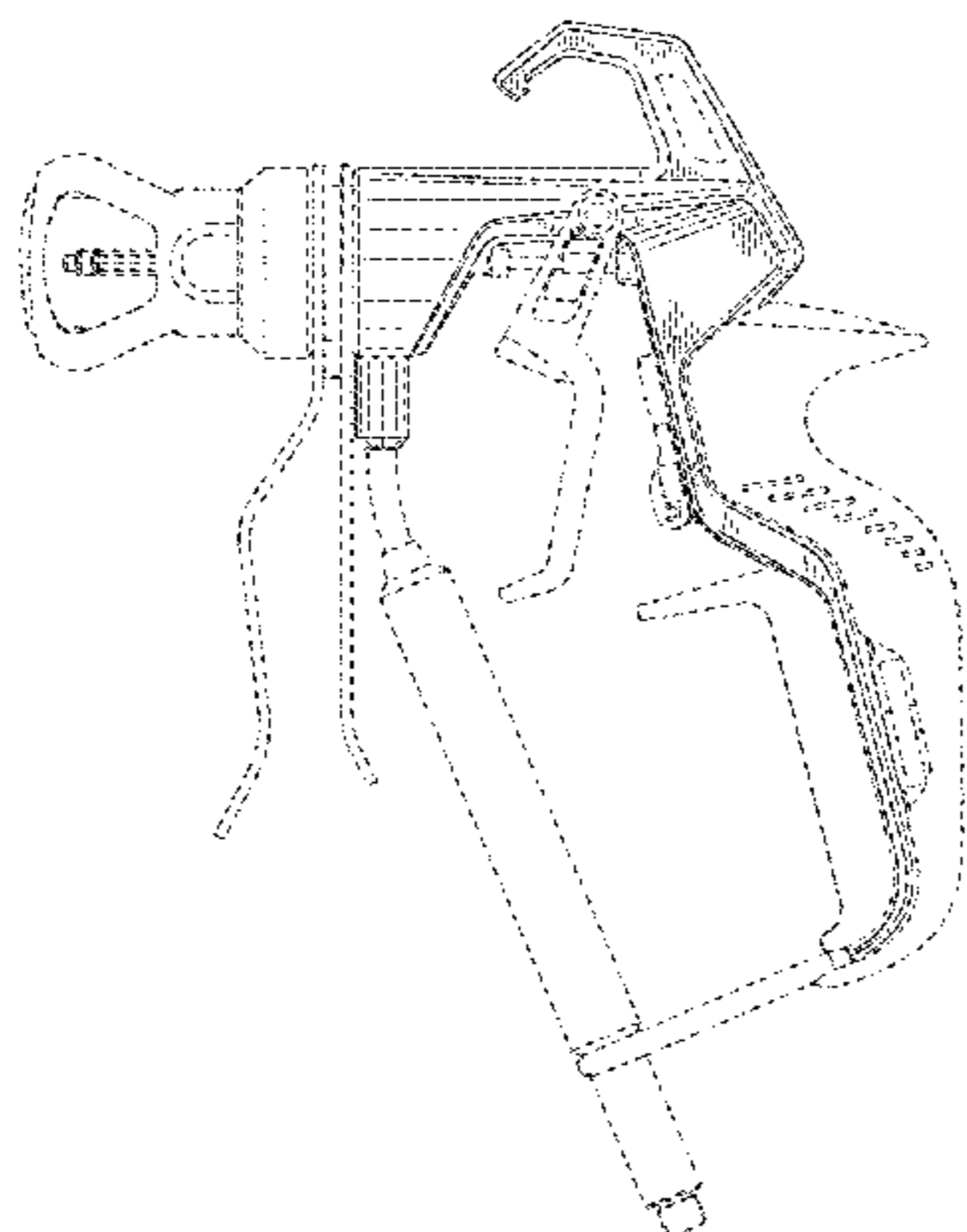
(57) **CLAIM**

The ornamental design for a spray gun, as shown and described.

**DESCRIPTION**

FIG. 1 is a perspective view of the spray gun, in accordance with a first embodiment.  
FIG. 2 is a left side view of the spray gun, in accordance with the first embodiment.  
FIG. 3 is a right side view of the spray gun, in accordance with the first embodiment.  
FIG. 4 is a front view of the spray gun, in accordance with the first embodiment.  
FIG. 5 is a back view of the spray gun, in accordance with the first embodiment.  
FIG. 6 is a bottom view of the spray gun, in accordance with the first embodiment.  
FIG. 7 is a top view of the spray gun, in accordance with the first embodiment.  
FIG. 8 is a perspective view of the spray gun, in accordance with a second embodiment.  
FIG. 9 is a left side view of the spray gun, in accordance with the second embodiment.  
FIG. 10 is a right side view of the spray gun, in accordance with the second embodiment.  
FIG. 11 is a front view of the spray gun, in accordance with the second embodiment.  
FIG. 12 is a back view of the spray gun, in accordance with the second embodiment.  
FIG. 13 is a bottom view of the spray gun, in accordance with the second embodiment; and,  
FIG. 14 is a top view of the spray gun, in accordance with the second embodiment.  
The details shown in broken lines form no part of the claimed design.

**1 Claim, 10 Drawing Sheets**



(56)

**References Cited**

OTHER PUBLICATIONS

“AA1600M & AA4400M, Air Assist Airless Spray Guns, Flat Tip, Fine Finish Tip, or Twist Tip Options”, available at least as of Apr. 19, 2015, 6 pages, [www.binks.com](http://www.binks.com).

“Milwaukee Airless/Finish Paint Sprayer M4910-20”, available at least as of Apr. 19, 2015, 3 pages, [www.milwaukeetool.com/power-tools/corded/m4910-20](http://www.milwaukeetool.com/power-tools/corded/m4910-20).

Prior Wagner Gun, available at least as of Apr. 19, 2015. 1 page.

\* cited by examiner



Fig. 1

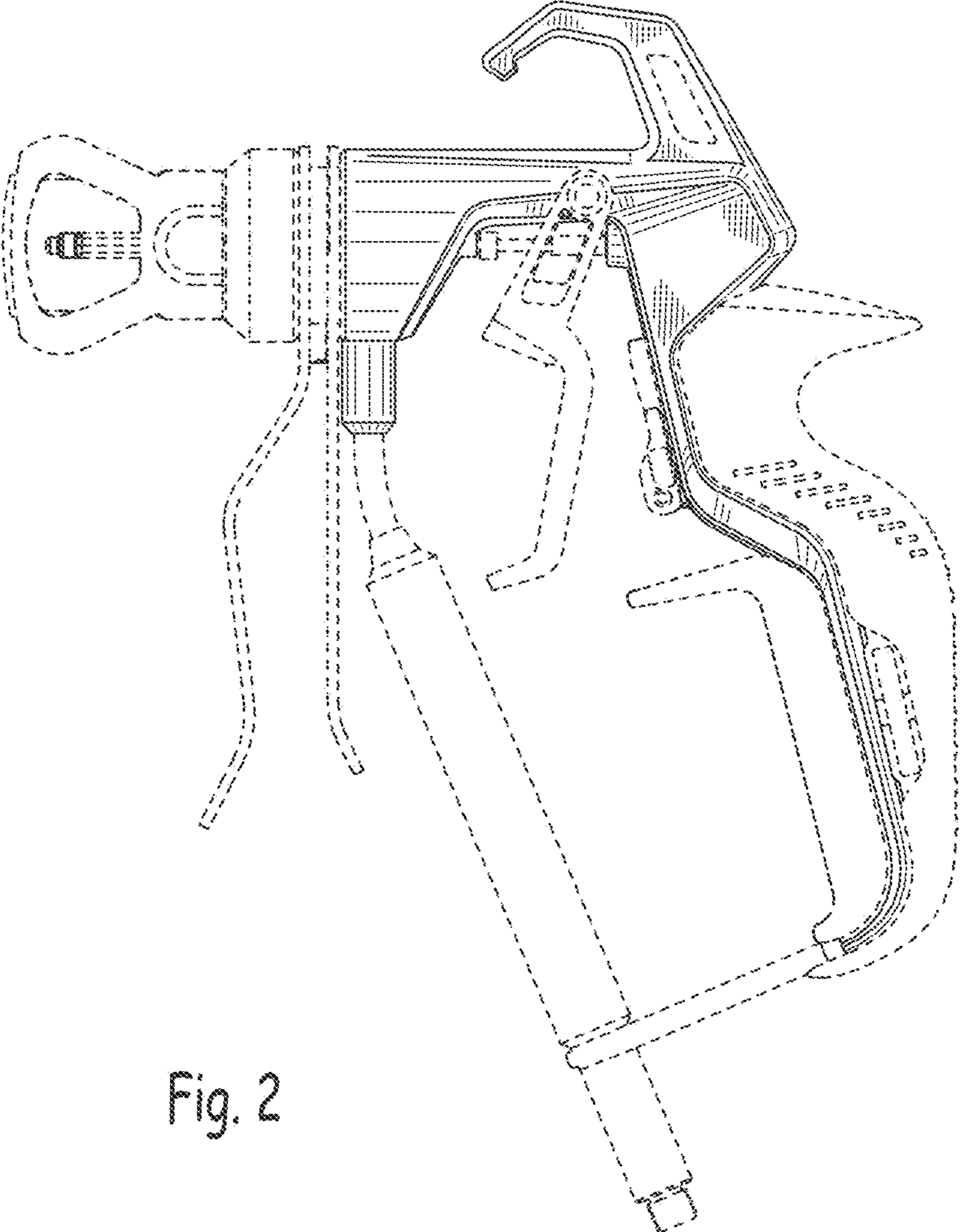
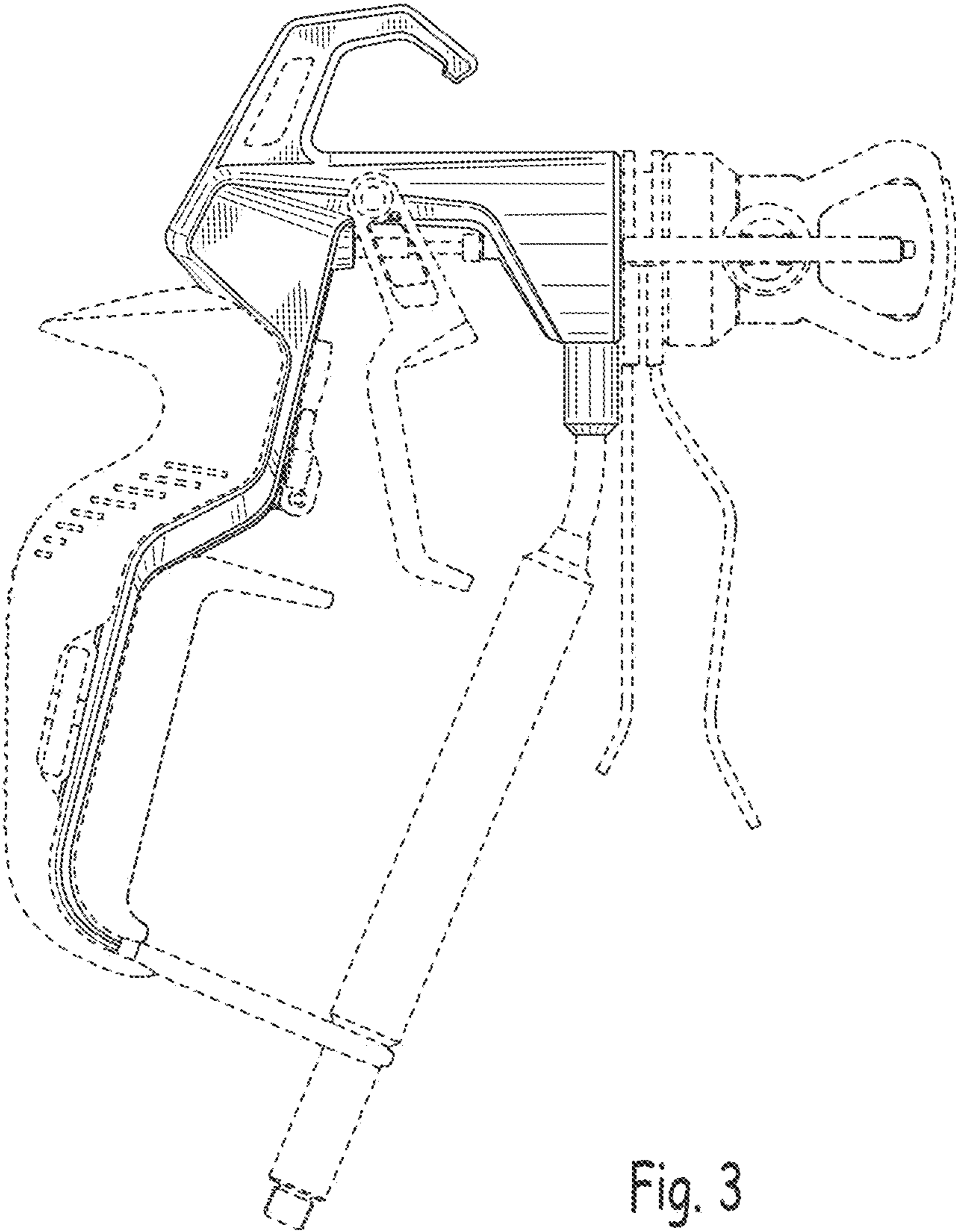


Fig. 2



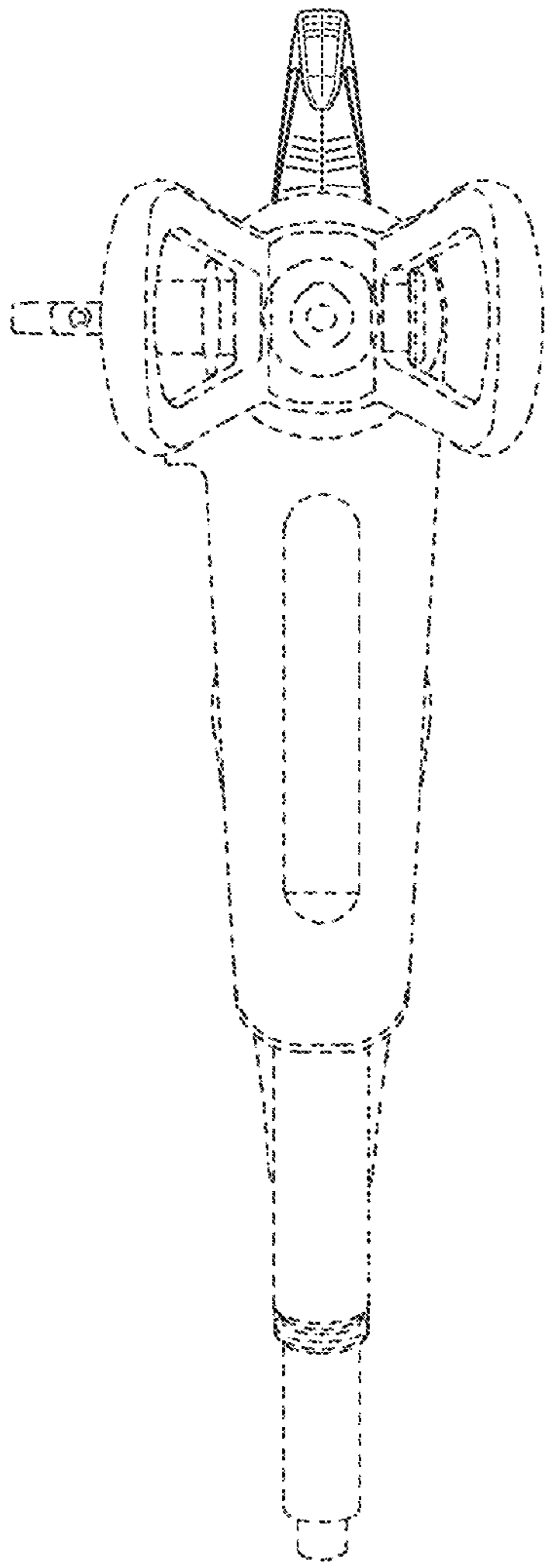


Fig. 4

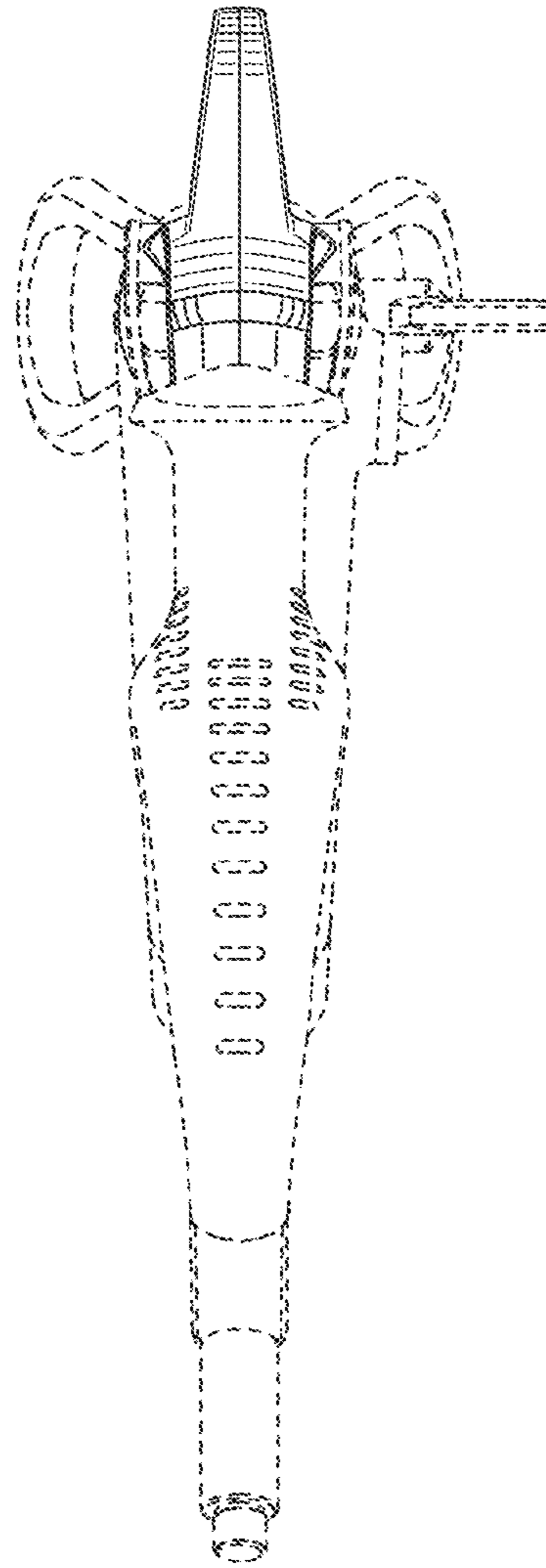


Fig. 5

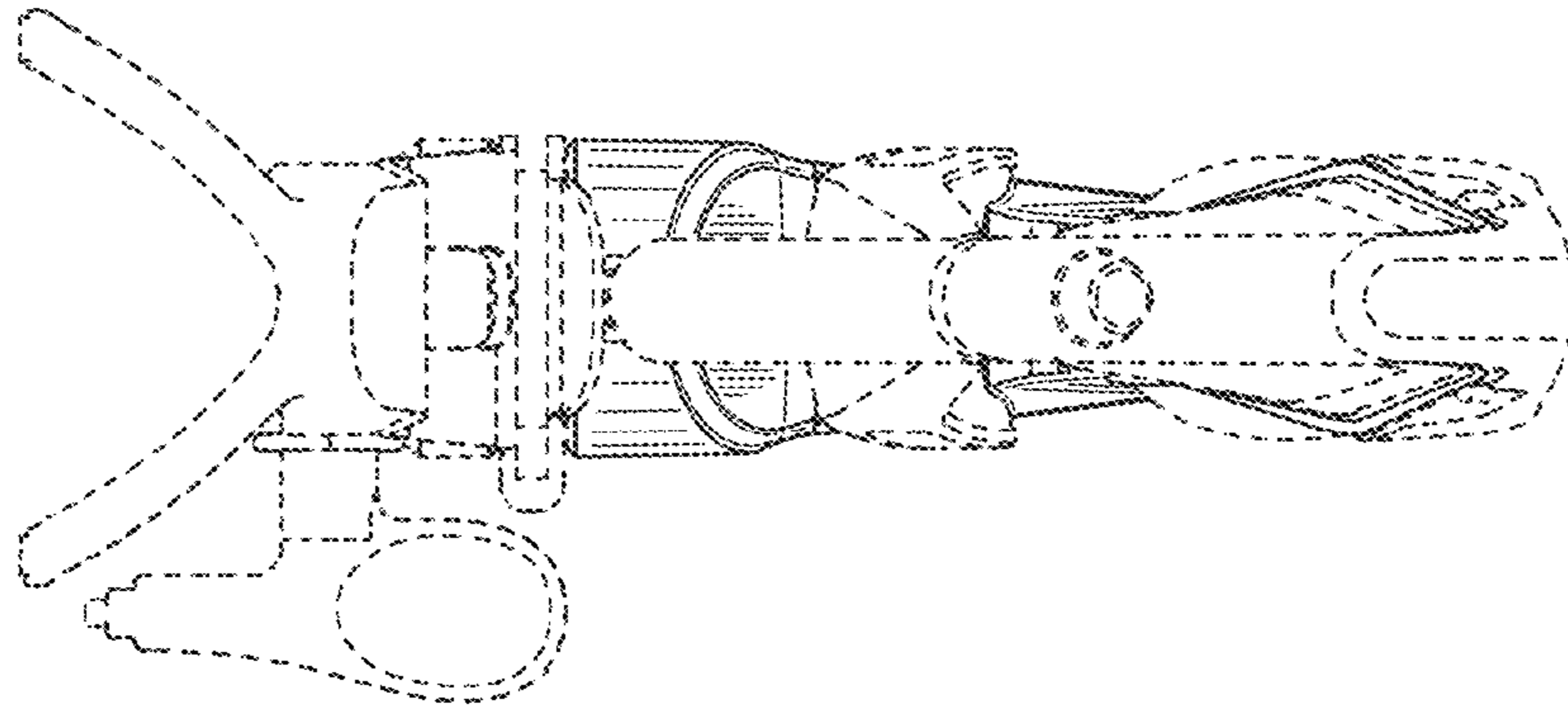


Fig. 6

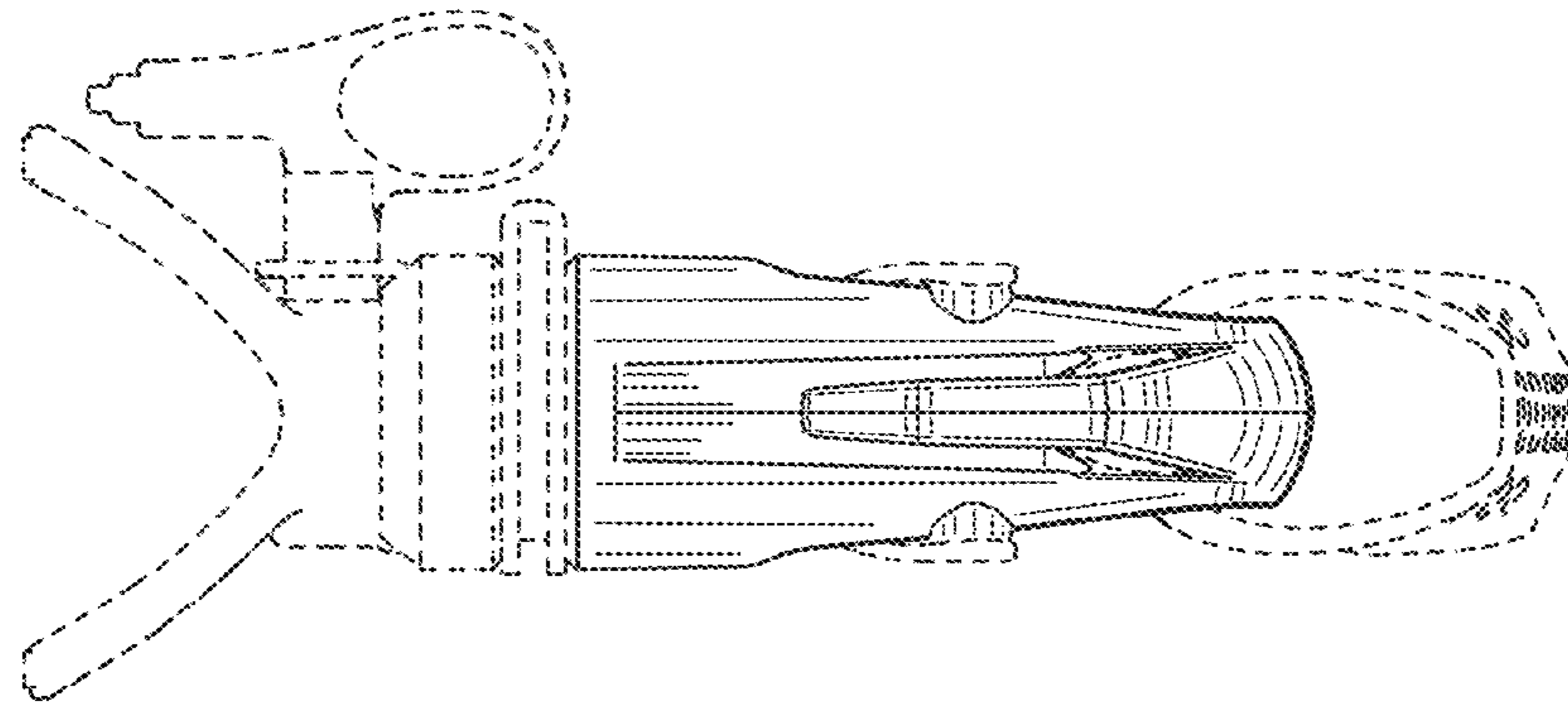


Fig. 7

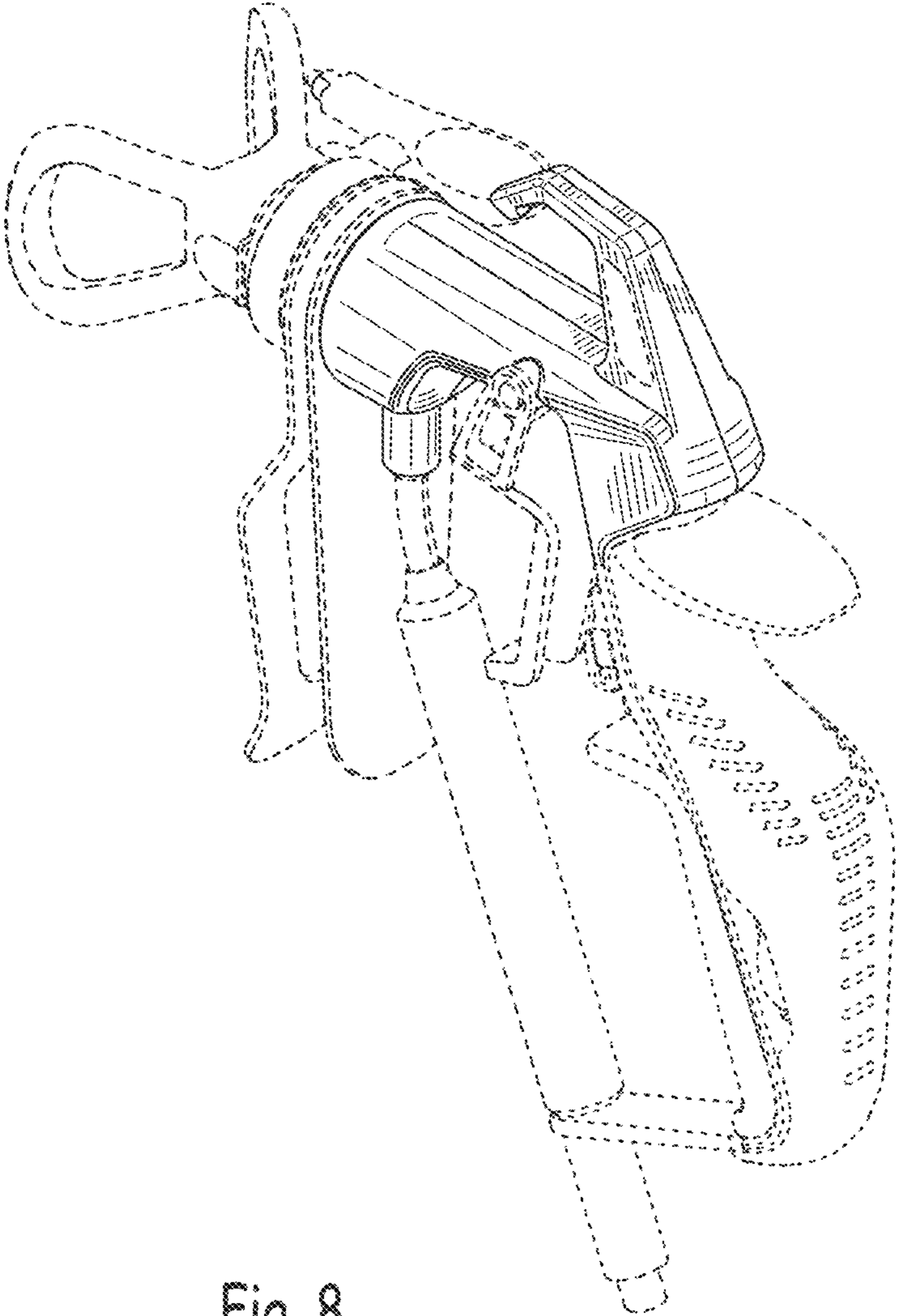


Fig. 8



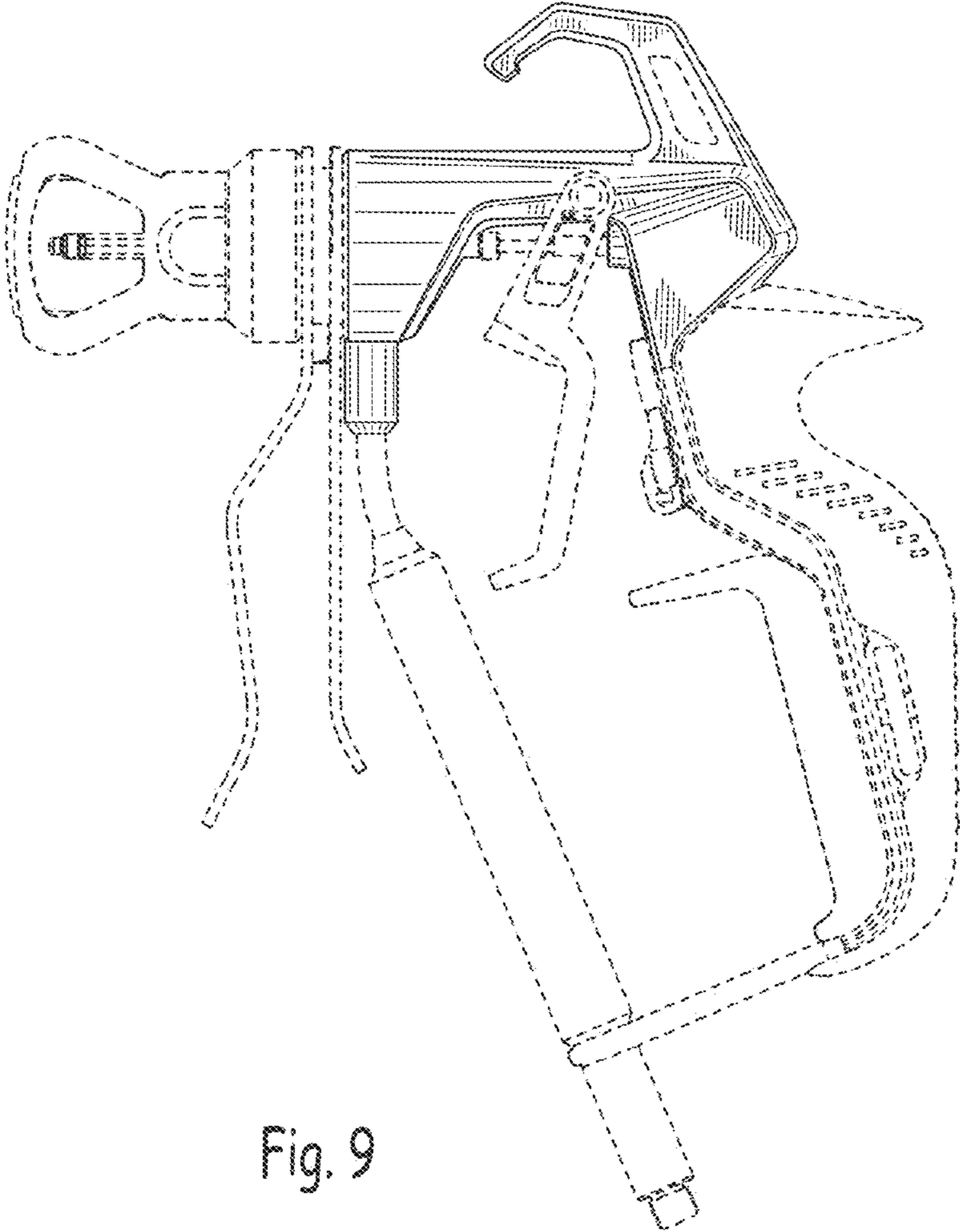


Fig. 9

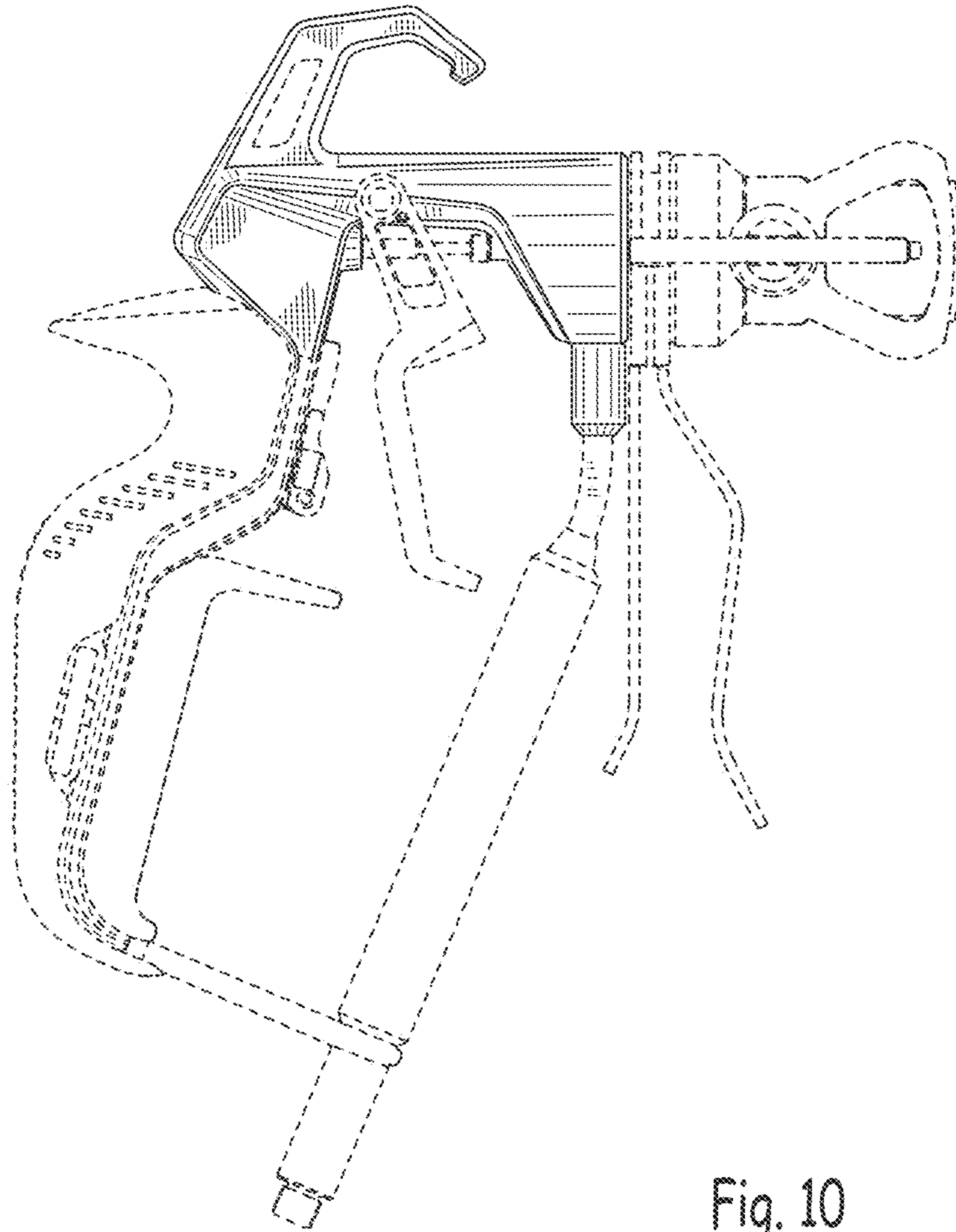


Fig. 10

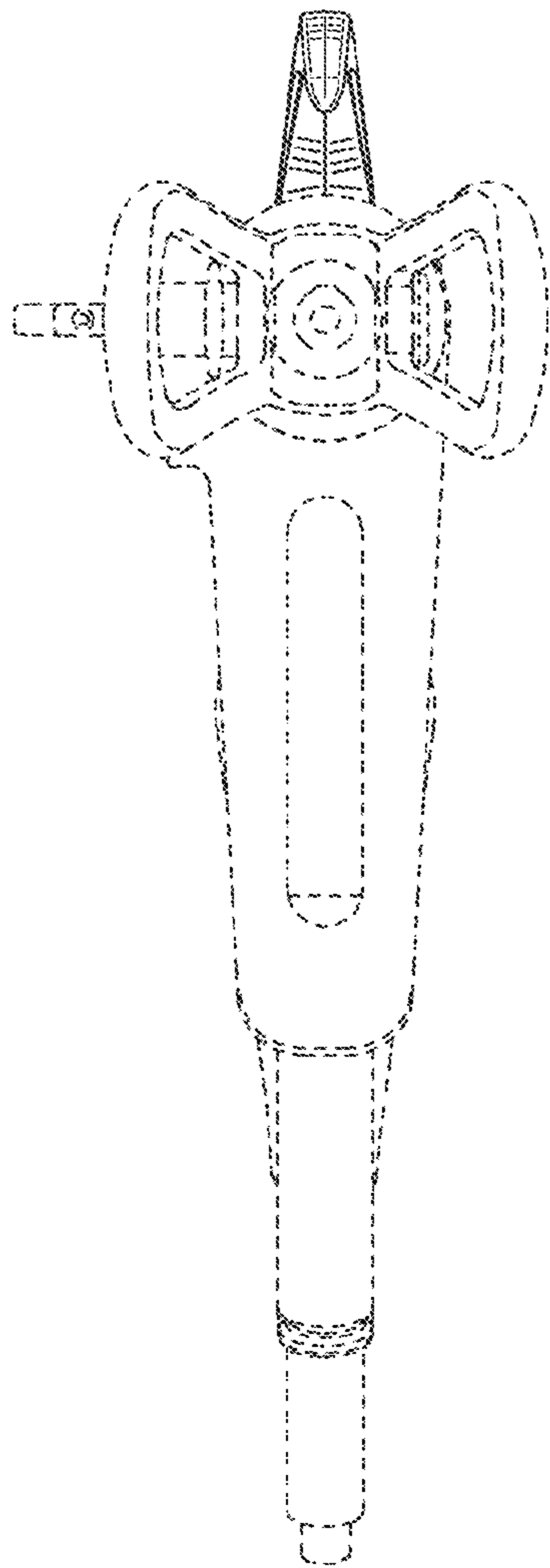


Fig. 11

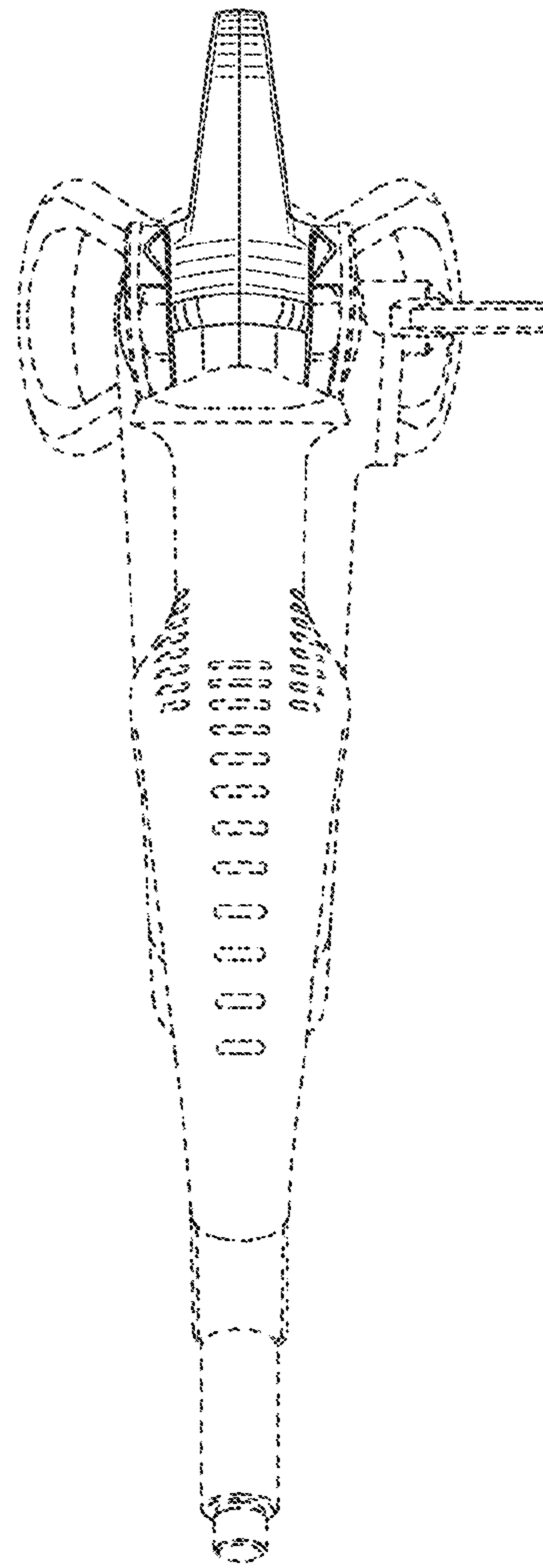


Fig. 12

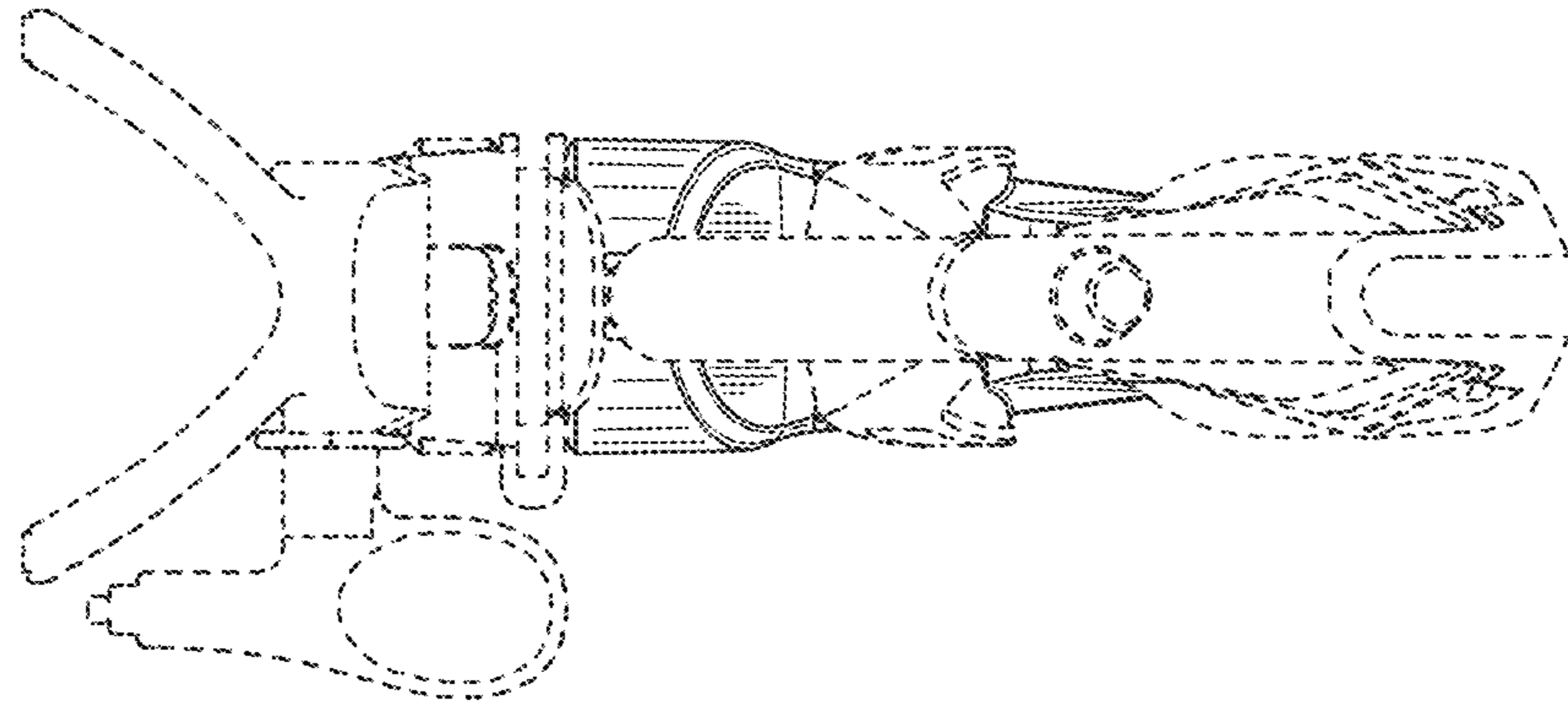


Fig. 13

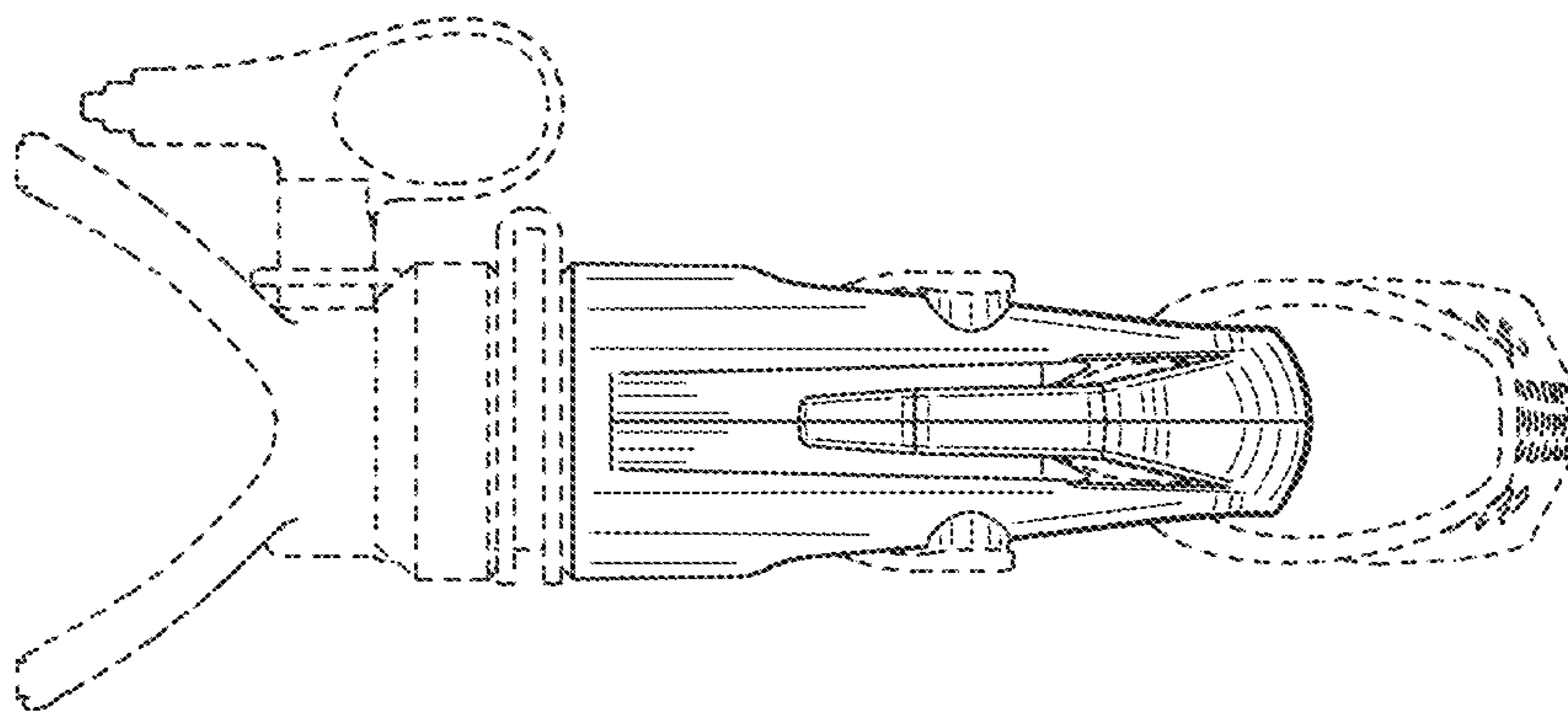


Fig. 14