



US00D764627S

(12) **United States Design Patent**  
**Banham**

(10) **Patent No.:** **US D764,627 S**

(45) **Date of Patent:** **\*\* Aug. 23, 2016**

(54) **HOLDER**

(71) Applicant: **Kohler Mira Limited**, Gloucestershire  
(GB)

(72) Inventor: **Stuart Banham**, Kemble (GB)

(73) Assignee: **KOHLER MIRA LIMITED** (GB)

(\*\*) Term: **14 Years**

(21) Appl. No.: **29/526,121**

(22) Filed: **May 6, 2015**

(30) **Foreign Application Priority Data**

Nov. 7, 2014 (EM) ..... 001424717

(51) **LOC (10) Cl.** ..... **23-01**

(52) **U.S. Cl.**  
USPC ..... **D23/213**

(58) **Field of Classification Search**  
USPC ..... D23/213, 223, 226, 229, 230; 239/282,  
239/283  
CPC ..... B05B 1/00; B05B 1/18; E03C 1/06  
See application file for complete search history.

(56) **References Cited**

**U.S. PATENT DOCUMENTS**

2,073,307 A \* 3/1937 Isenberg ..... E03C 1/06  
239/282  
3,979,096 A \* 9/1976 Zieger ..... E03C 1/06  
248/75

4,719,654 A \* 1/1988 Blessing ..... E03C 1/06  
239/282  
6,473,916 B2 \* 11/2002 Schiødt ..... E03C 1/066  
4/567  
6,502,796 B1 \* 1/2003 Wales ..... E03C 1/06  
248/230.1  
D572,796 S \* 7/2008 Genord ..... D23/229  
D619,208 S \* 7/2010 Jian ..... D23/223  
D629,068 S \* 12/2010 Lee ..... D23/229  
D633,597 S \* 3/2011 Citterio ..... D23/213

\* cited by examiner

*Primary Examiner* — Robin V Webster

(74) *Attorney, Agent, or Firm* — Foley & Lardner LLP

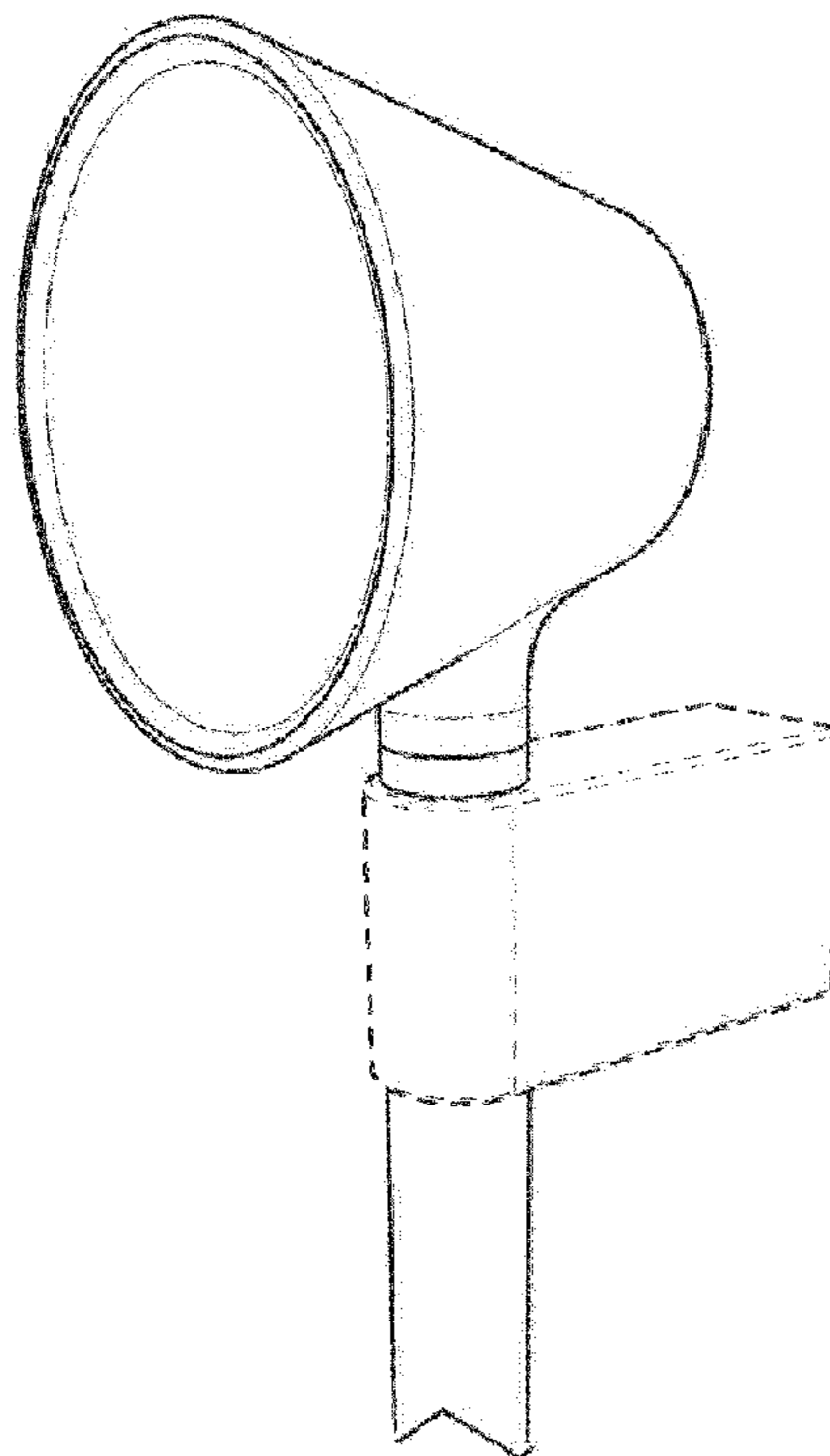
(57) **CLAIM**

We claim the ornamental design for a holder, as shown and described.

**DESCRIPTION**

FIG. 1 is a front view of an embodiment the claimed design;  
FIG. 2 is a first side view of the design shown in FIG. 1;  
FIG. 3 is a second side view of the design shown in FIG. 1;  
FIG. 4 is a top view of the design shown in FIG. 1;  
FIG. 5 is a front perspective view of another embodiment the claimed design;  
FIG. 6 is a front view of the design shown in FIG. 5; and,  
FIG. 7 is a side view of the design shown in FIG. 5.  
The ornamental design which is claimed is shown in solid lines in the drawings. The broken lines in the drawings are for illustrative purposes only and form no part of the claimed design.

**1 Claim, 7 Drawing Sheets**



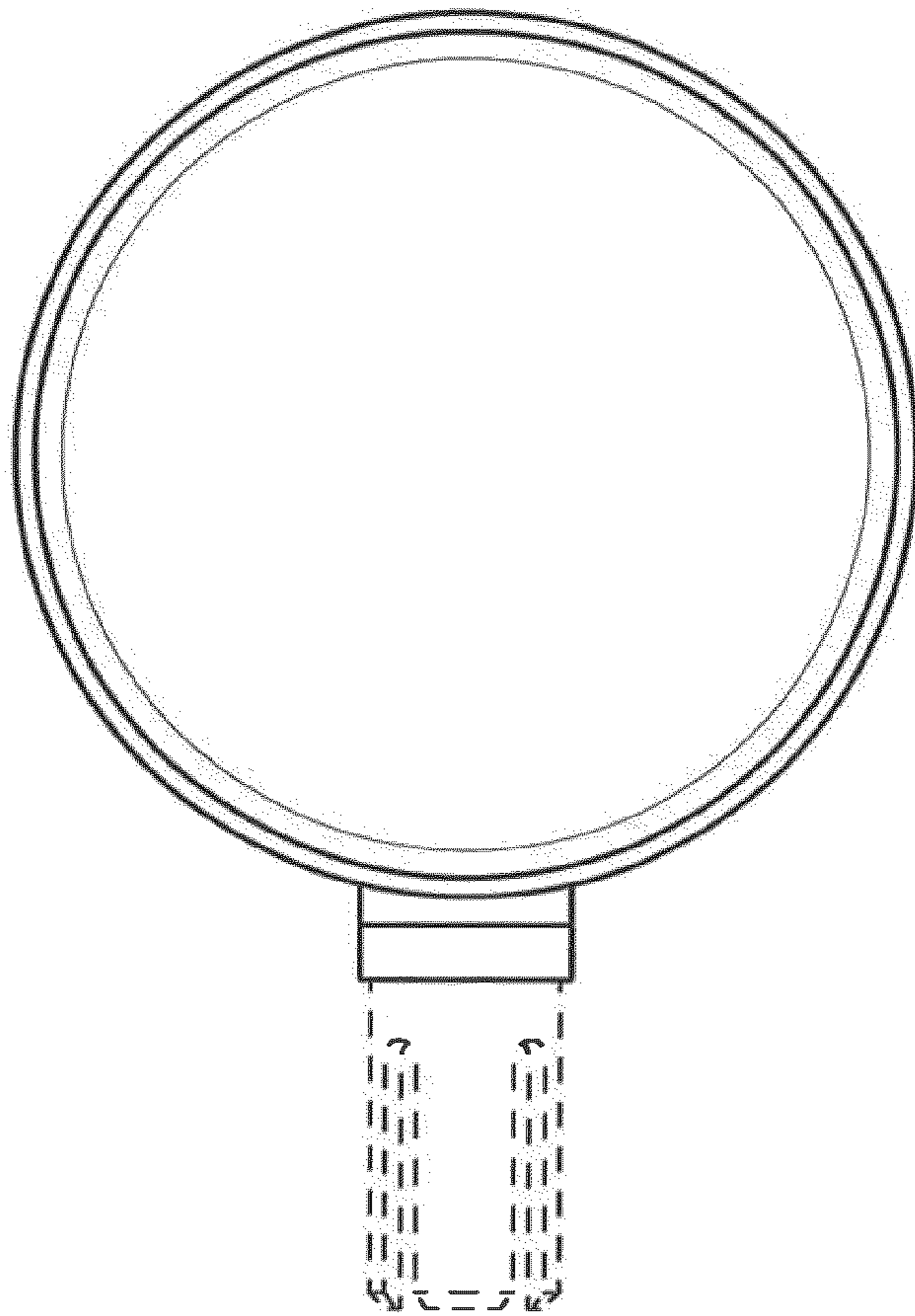


FIG. 1

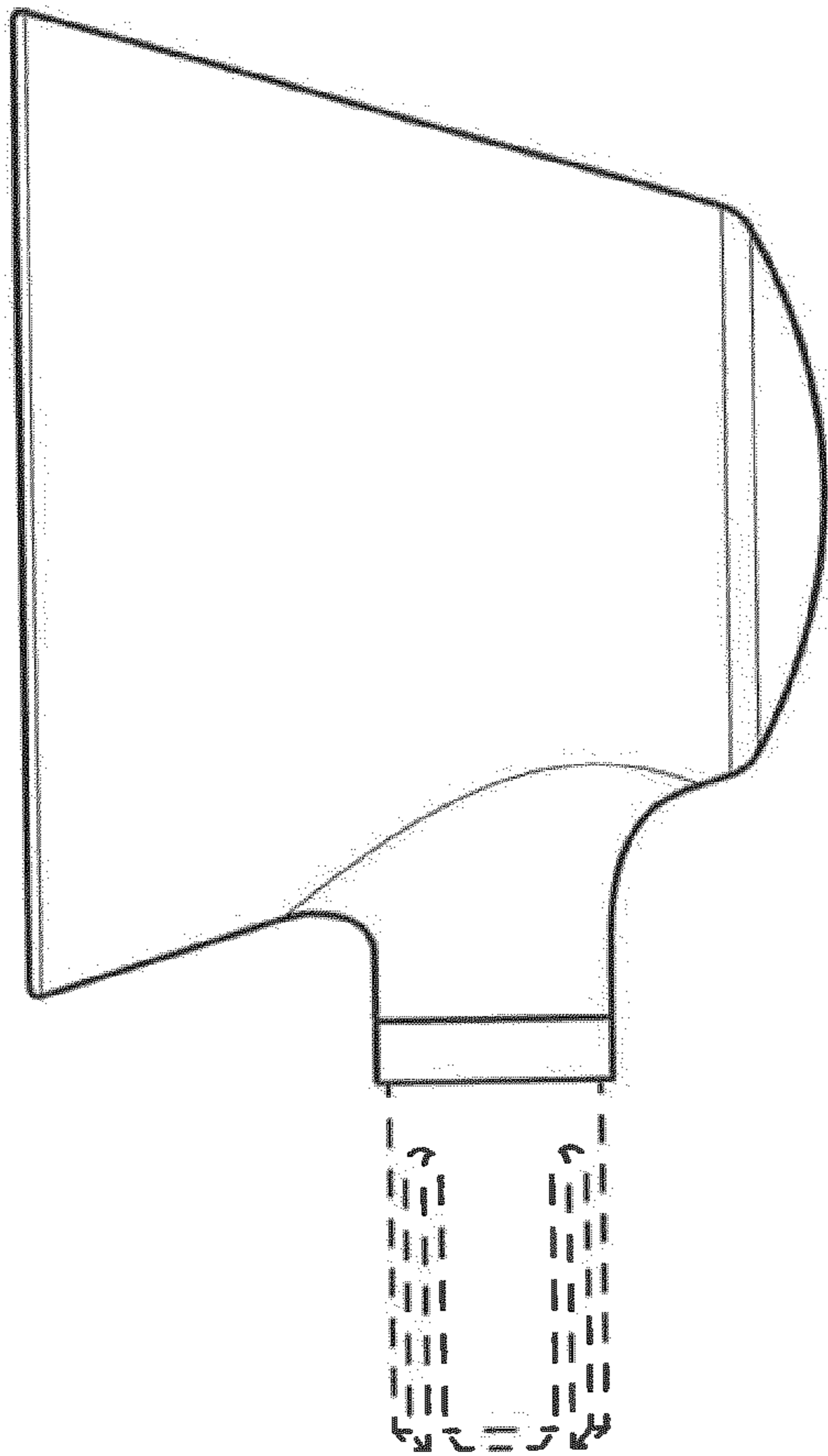


FIG. 2

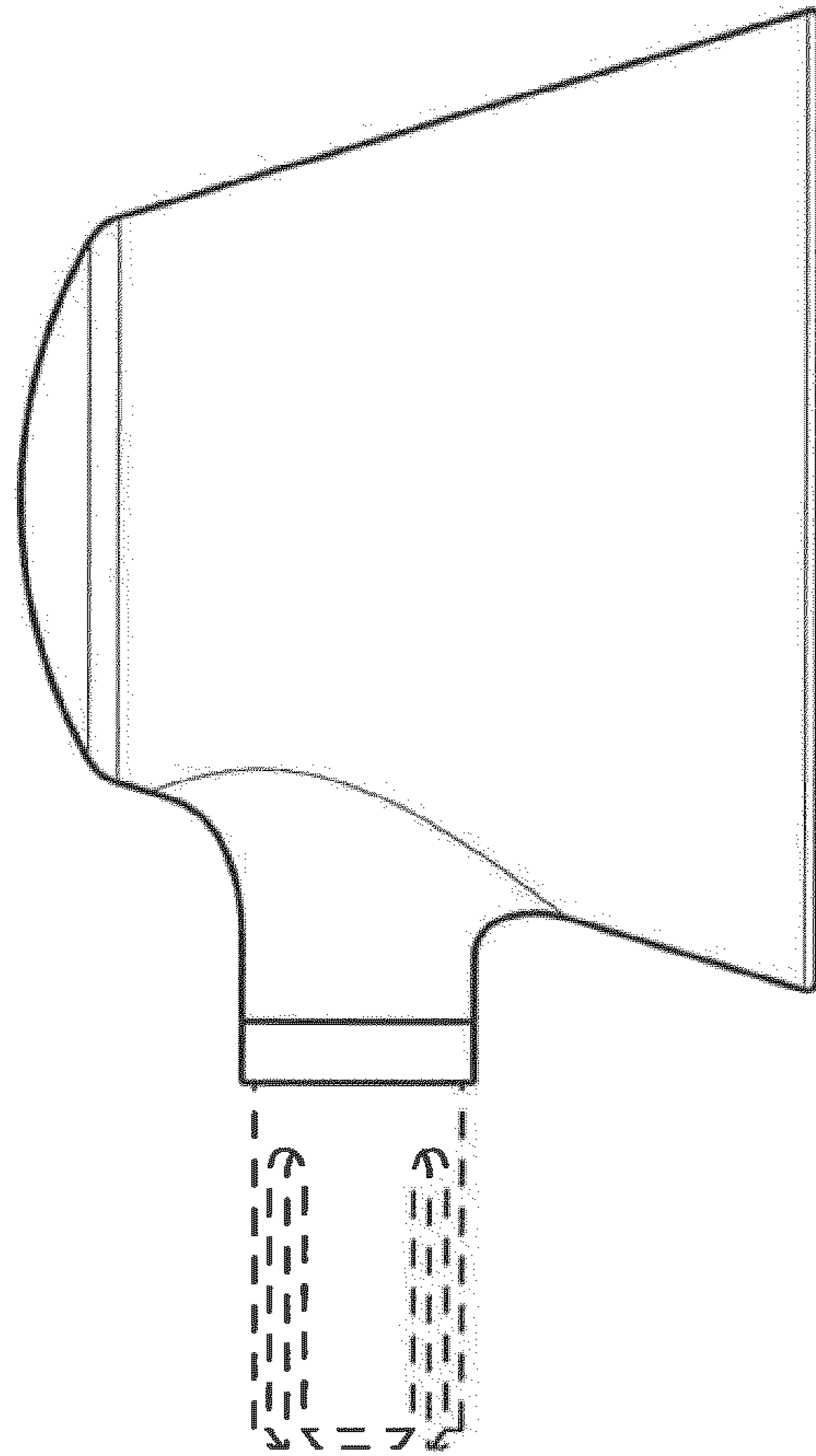


FIG. 3

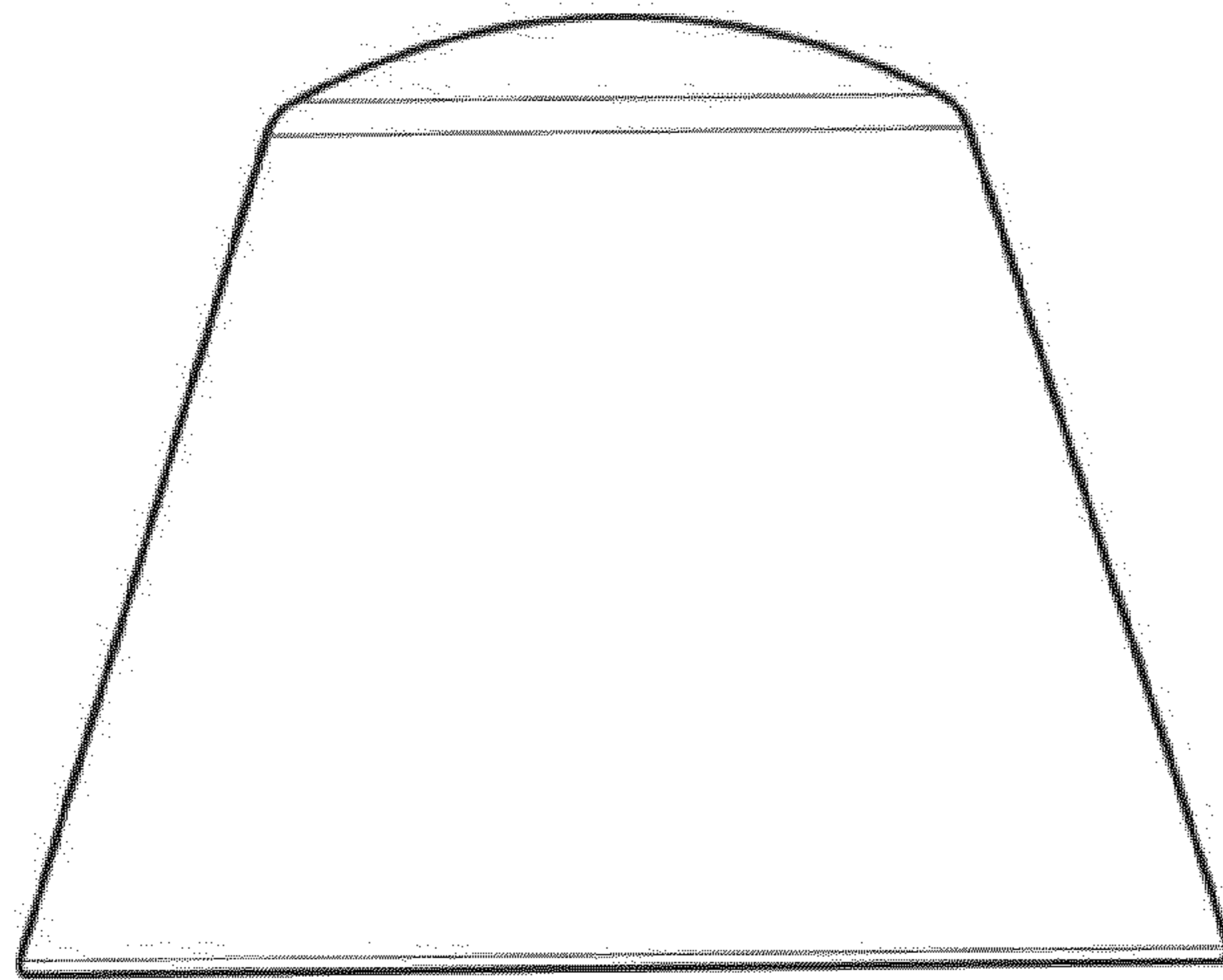


FIG. 4

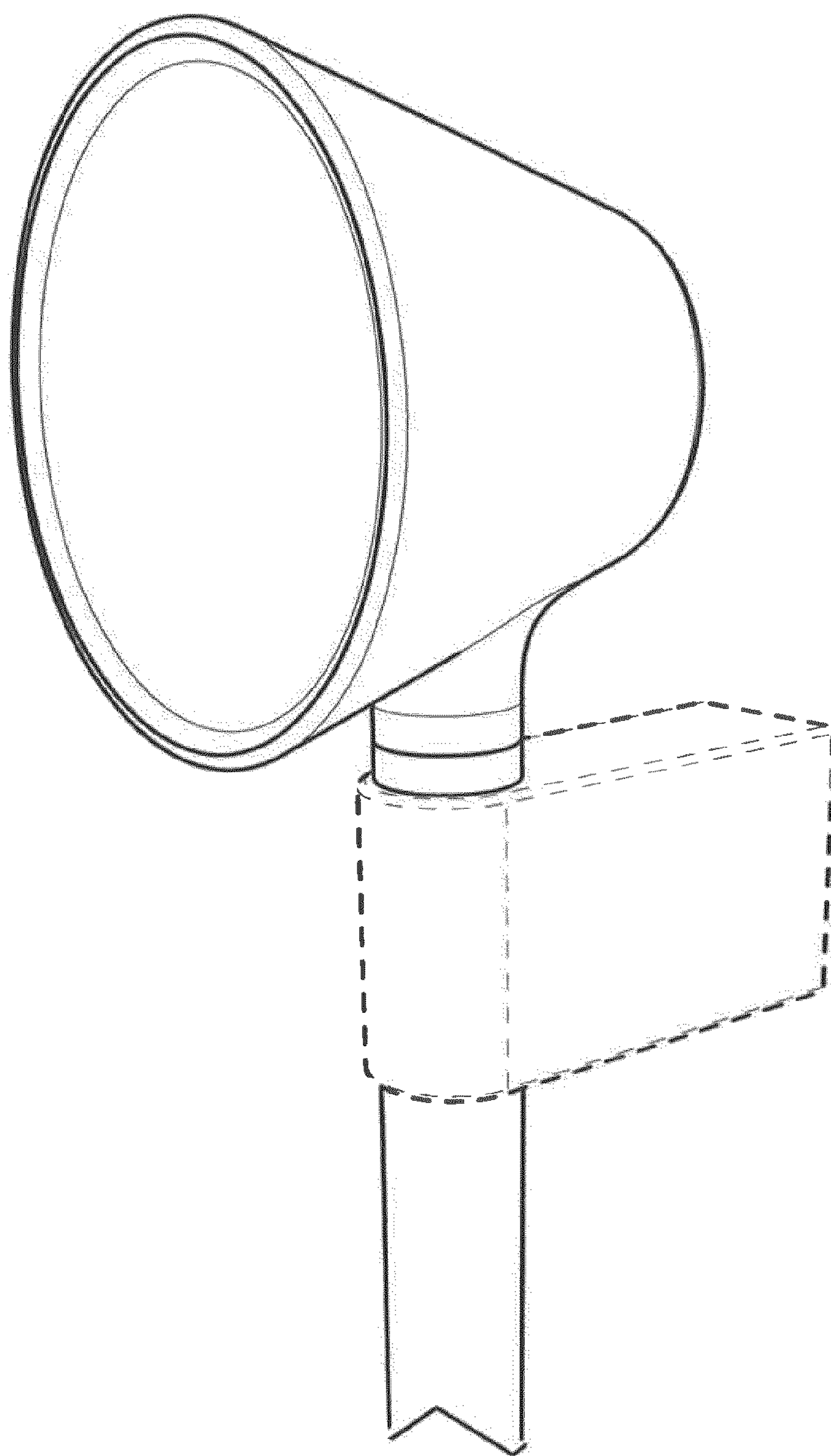


FIG. 5



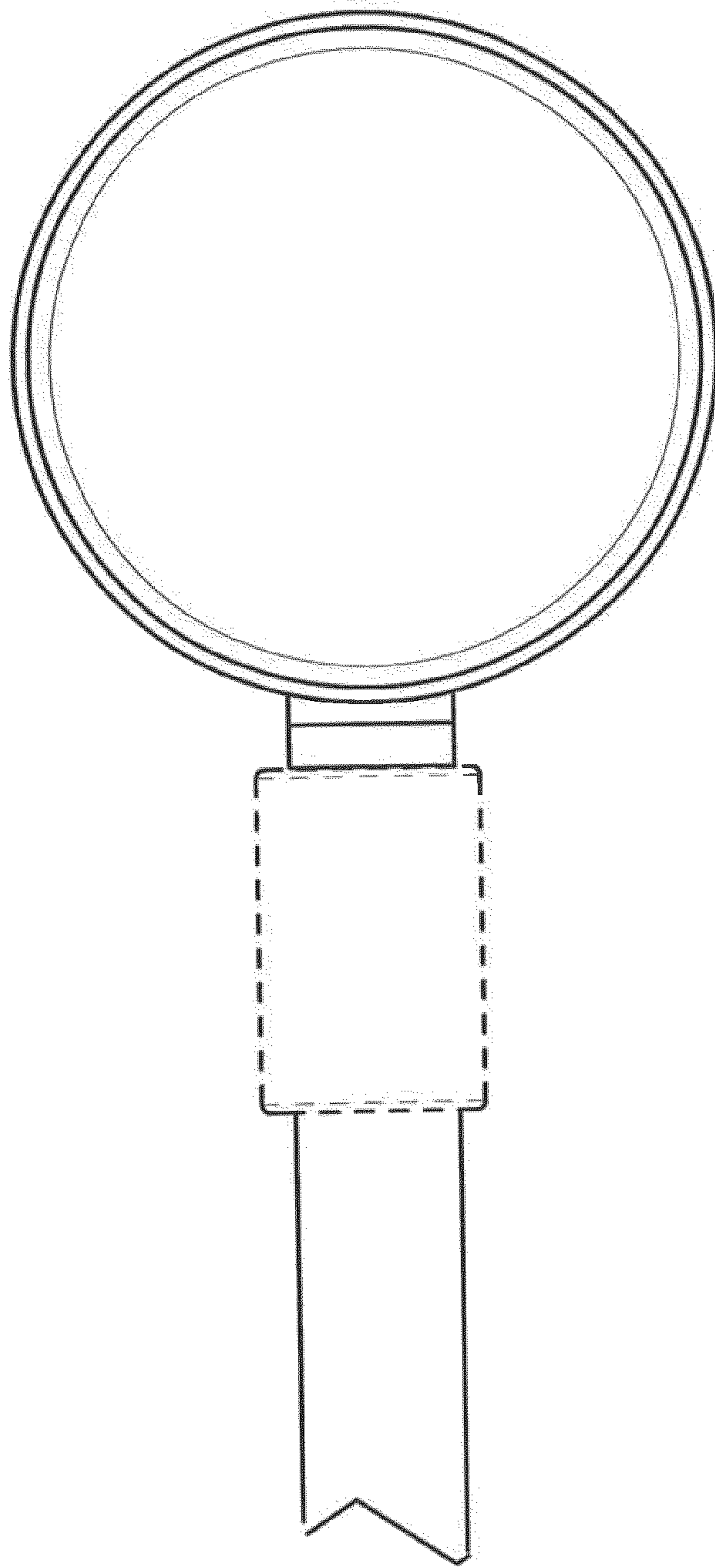


FIG. 6

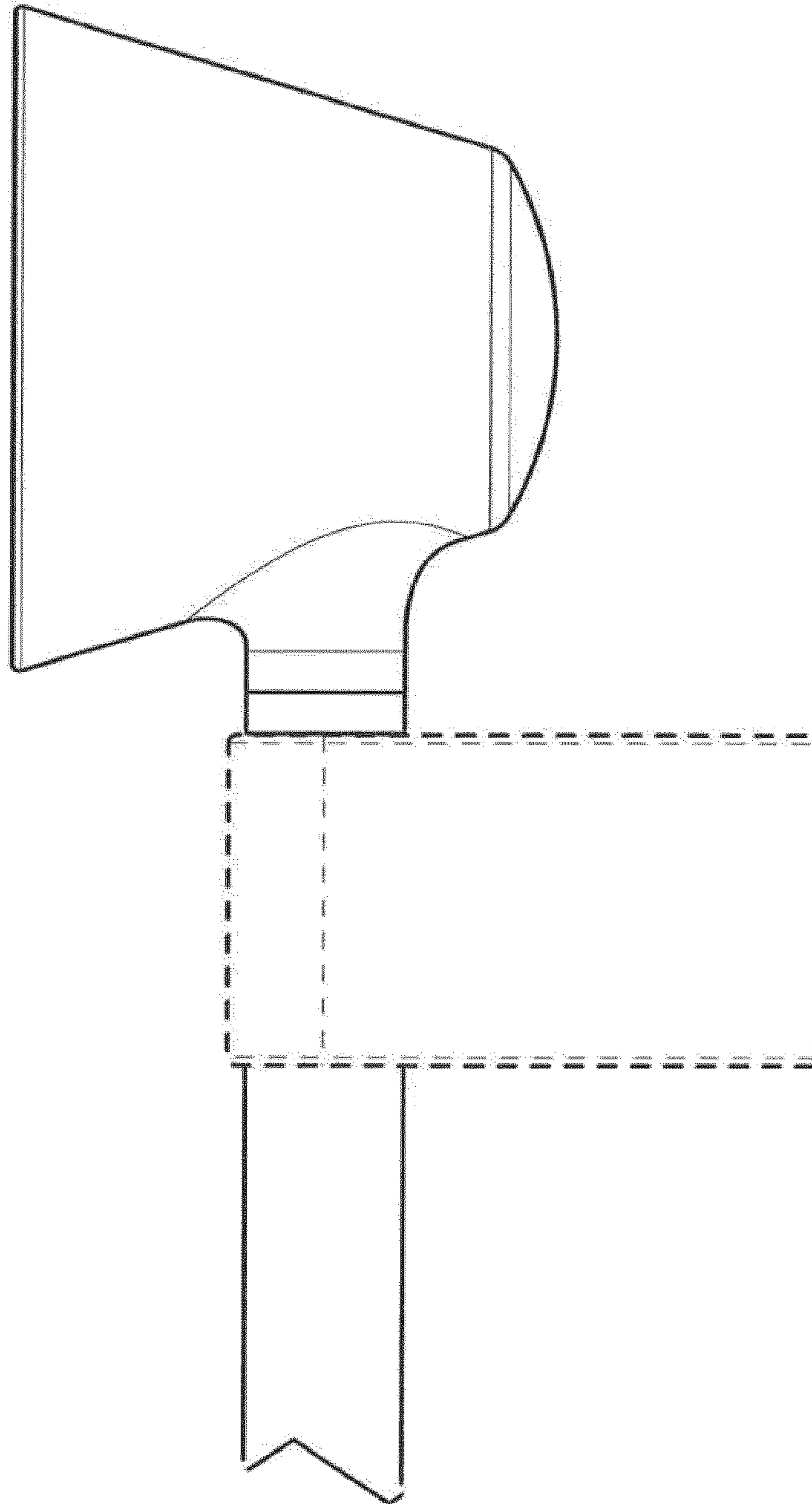


FIG. 7