



US00D764625S

(12) **United States Design Patent**  
**O'Neal**

(10) **Patent No.:** **US D764,625 S**

(45) **Date of Patent:** **\*\* Aug. 23, 2016**

(54) **FISHING LINE KNOTTER**

(71) Applicant: **Phyllis D. O'Neal**, Lawrenceburg, KY  
(US)

(72) Inventor: **Ronald L. O'Neal**, Lawrenceburg, KY  
(US)

(\*\*) Term: **14 Years**

(21) Appl. No.: **29/474,882**

(22) Filed: **Mar. 6, 2015**

(51) **LOC (10) Cl.** ..... **22-05**

(52) **U.S. Cl.**  
USPC ..... **D22/149**

(58) **Field of Classification Search**  
USPC ..... D22/134, 149, 199; 43/17.2, 53.5;  
D8/14, 51; 289/5-6, 17

CPC ..... A01K 91/04  
See application file for complete search history.

(56) **References Cited**

**U.S. PATENT DOCUMENTS**

- 2,926,036 A \* 2/1960 Wimberley ..... A01K 91/04  
289/17
- 3,265,422 A \* 8/1966 Pierce ..... A01K 91/04  
289/17
- D211,685 S \* 7/1968 Hill ..... 289/17

- D247,713 S \* 4/1978 Etes ..... D22/149
- D346,424 S \* 4/1994 Rusztowicz ..... D22/149
- D353,086 S \* 12/1994 Koehler ..... D22/149
- D553,221 S \* 10/2007 Rustowicz ..... D22/149
- D572,095 S \* 7/2008 Jochum ..... D22/149
- D594,529 S \* 6/2009 Rustowicz ..... D22/149
- D600,774 S \* 9/2009 Enajarvi ..... D22/149
- D662,567 S \* 6/2012 Frew ..... D22/149

\* cited by examiner

*Primary Examiner* — Catheri Oliver-Garcia

(74) *Attorney, Agent, or Firm* — Carrithers Law Office, PLLC

(57) **CLAIM**

The ornamental design for a fishing line knotter, as shown and described.

**DESCRIPTION**

FIG. 1 is a front and right perspective view of a fishing line knotter showing my new design.

FIG. 2 is a top plan view thereof;

FIG. 3 is a bottom plan view thereof;

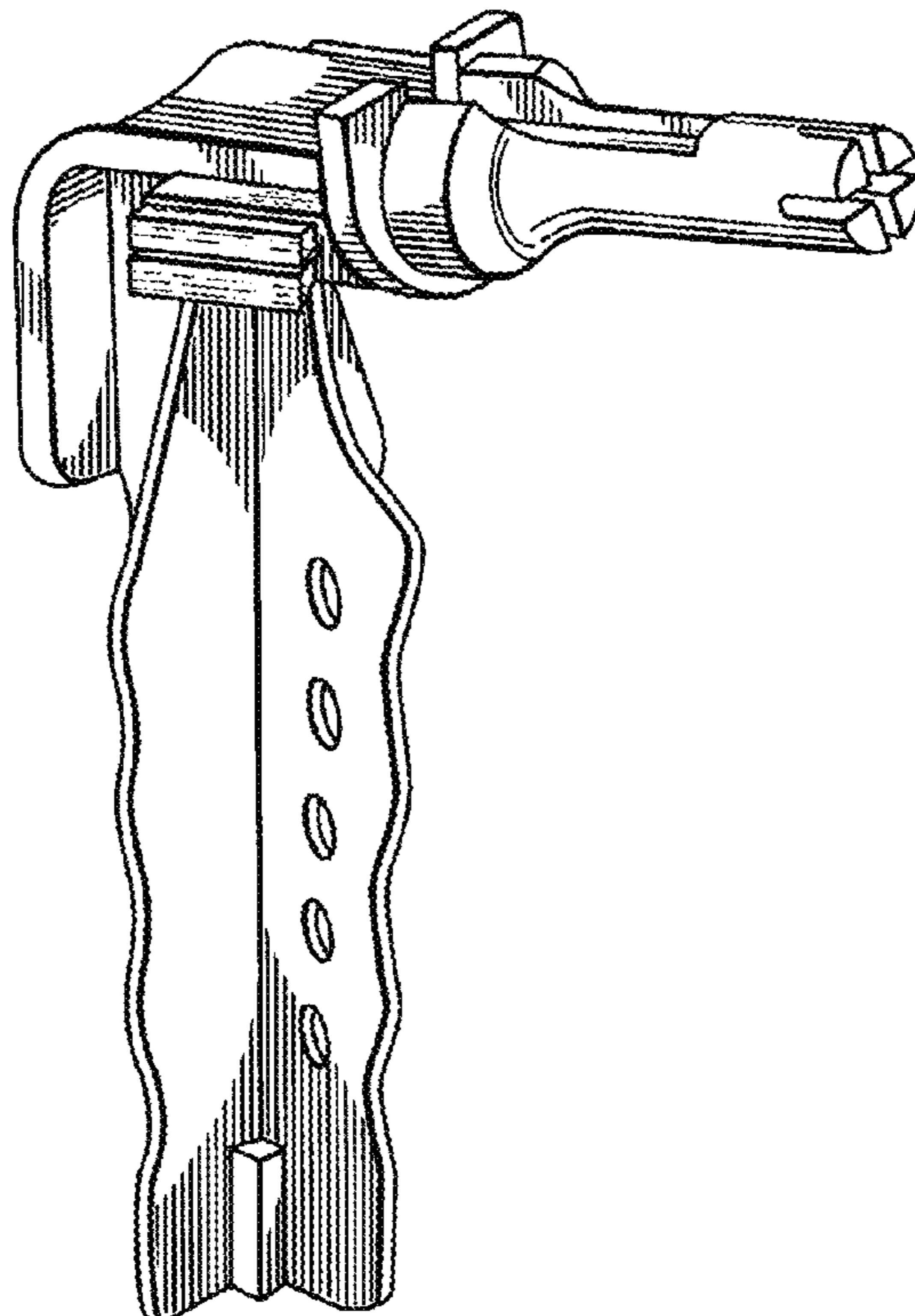
FIG. 4 is a front perspective view thereof;

FIG. 5 is a rear perspective view thereof;

FIG. 6 is a left view thereof; and,

FIG. 7 is a right view thereof.

**1 Claim, 2 Drawing Sheets**



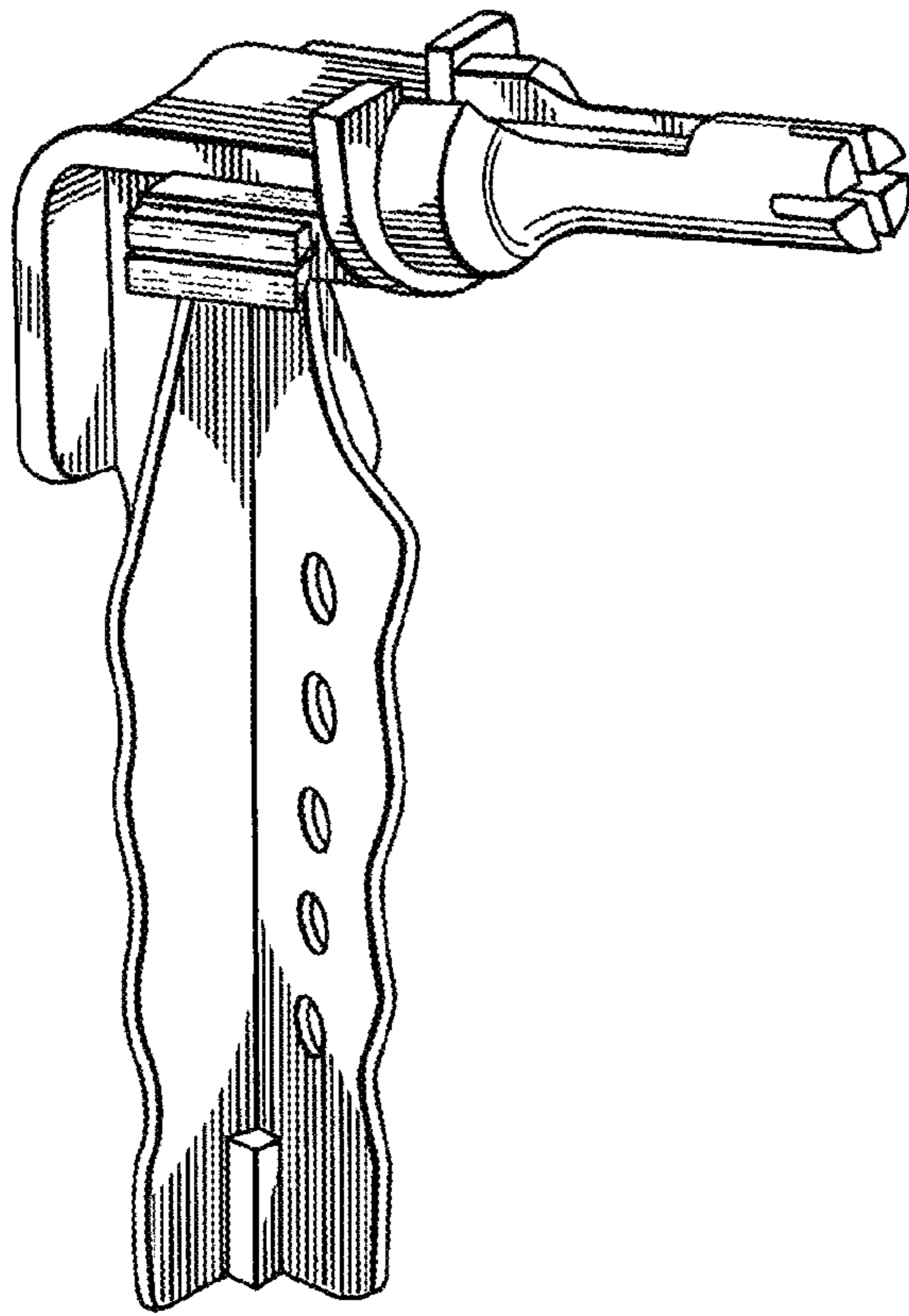


FIG. 1

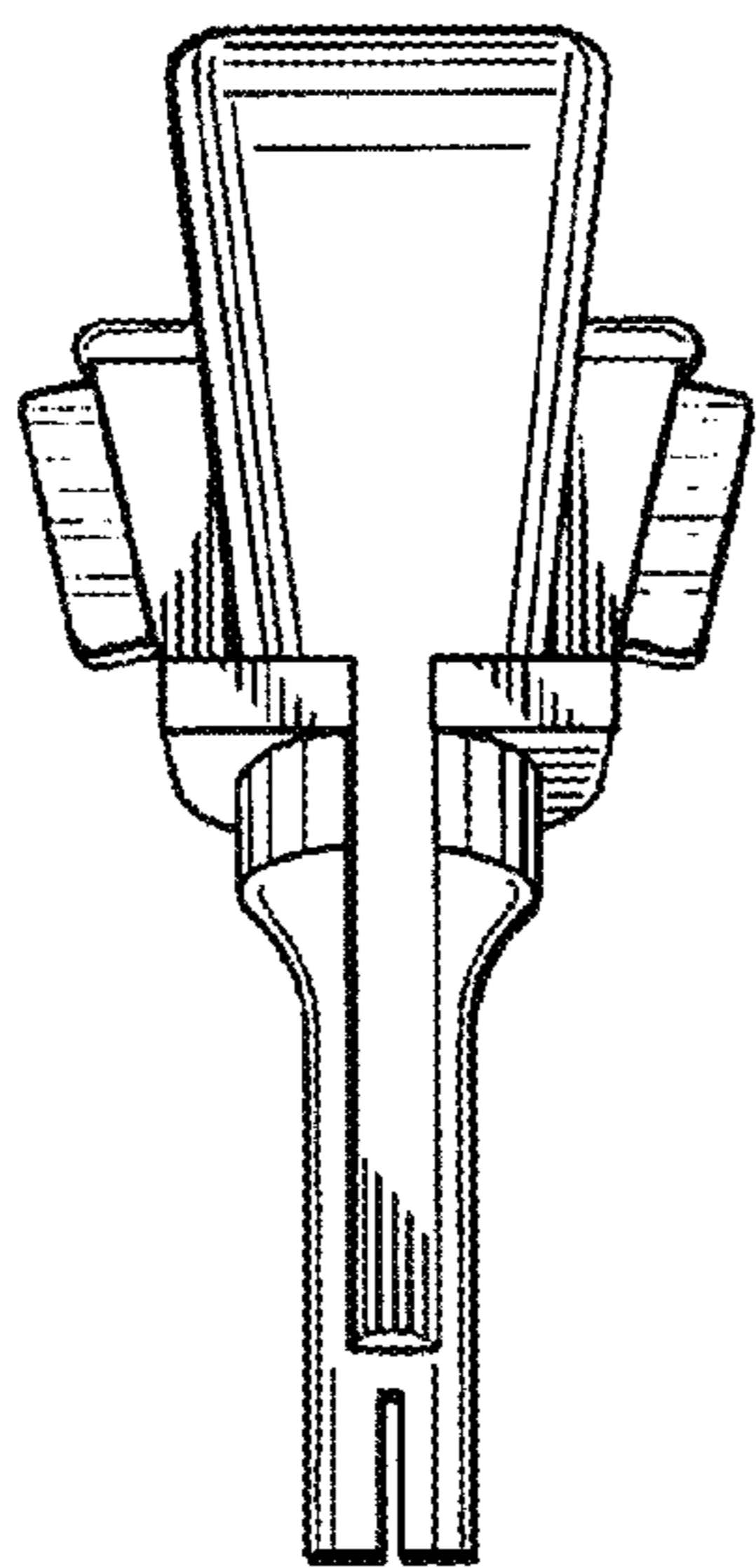


FIG. 2

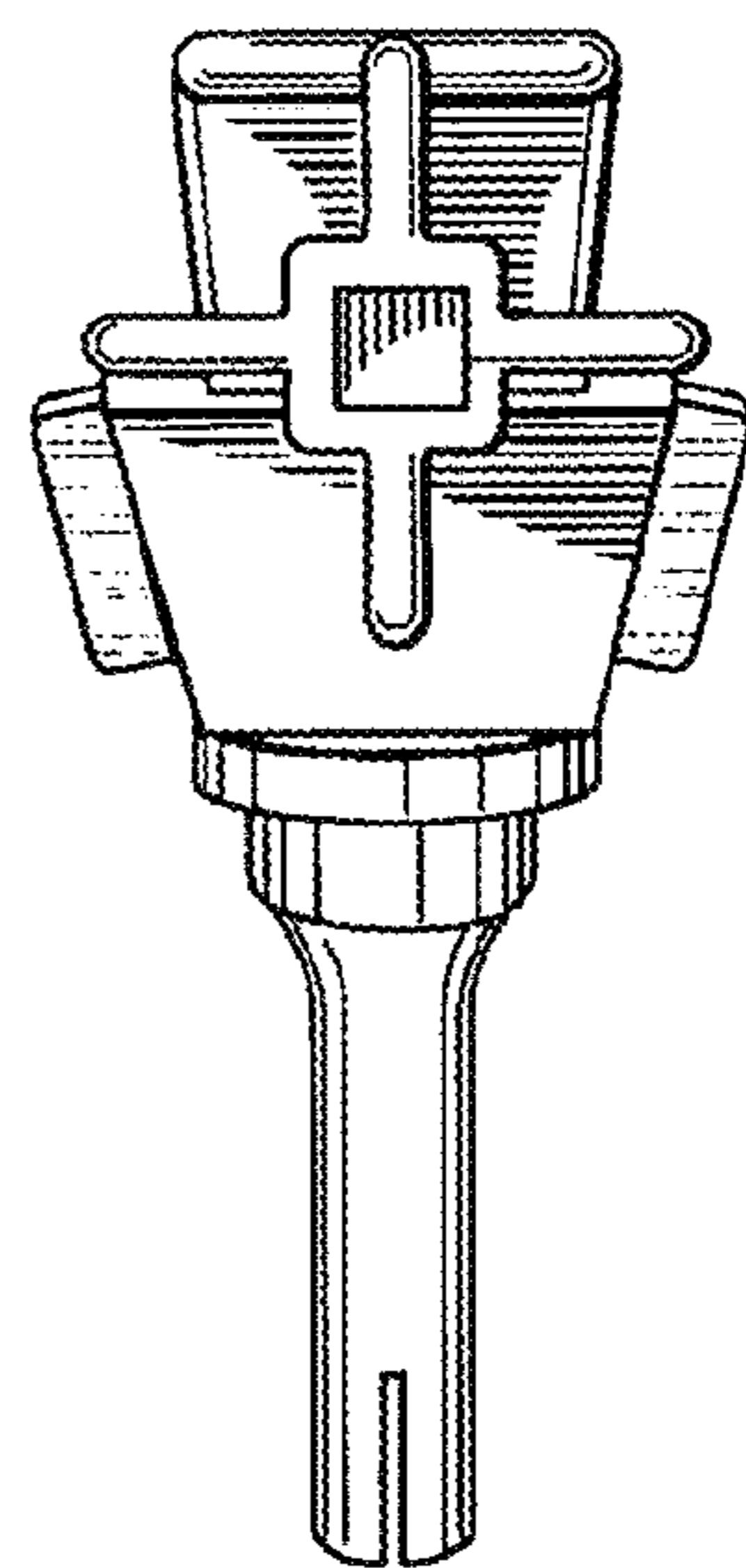


FIG. 3

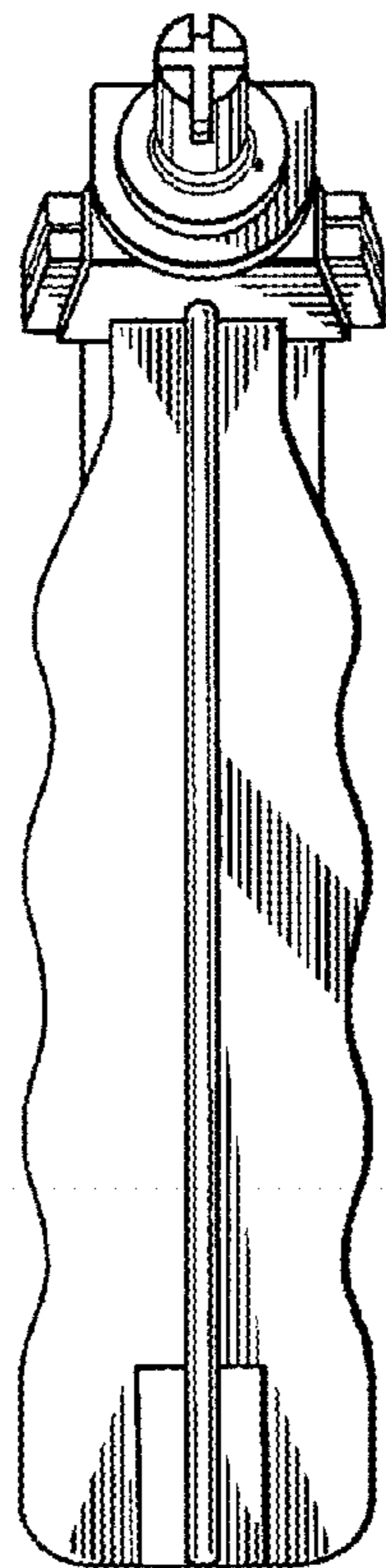


FIG. 4

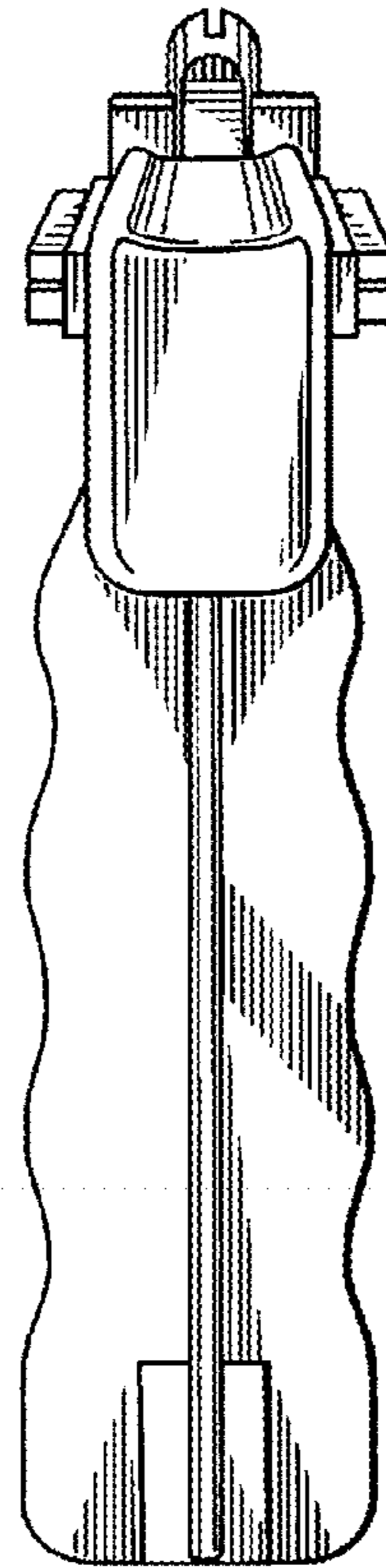


FIG. 5

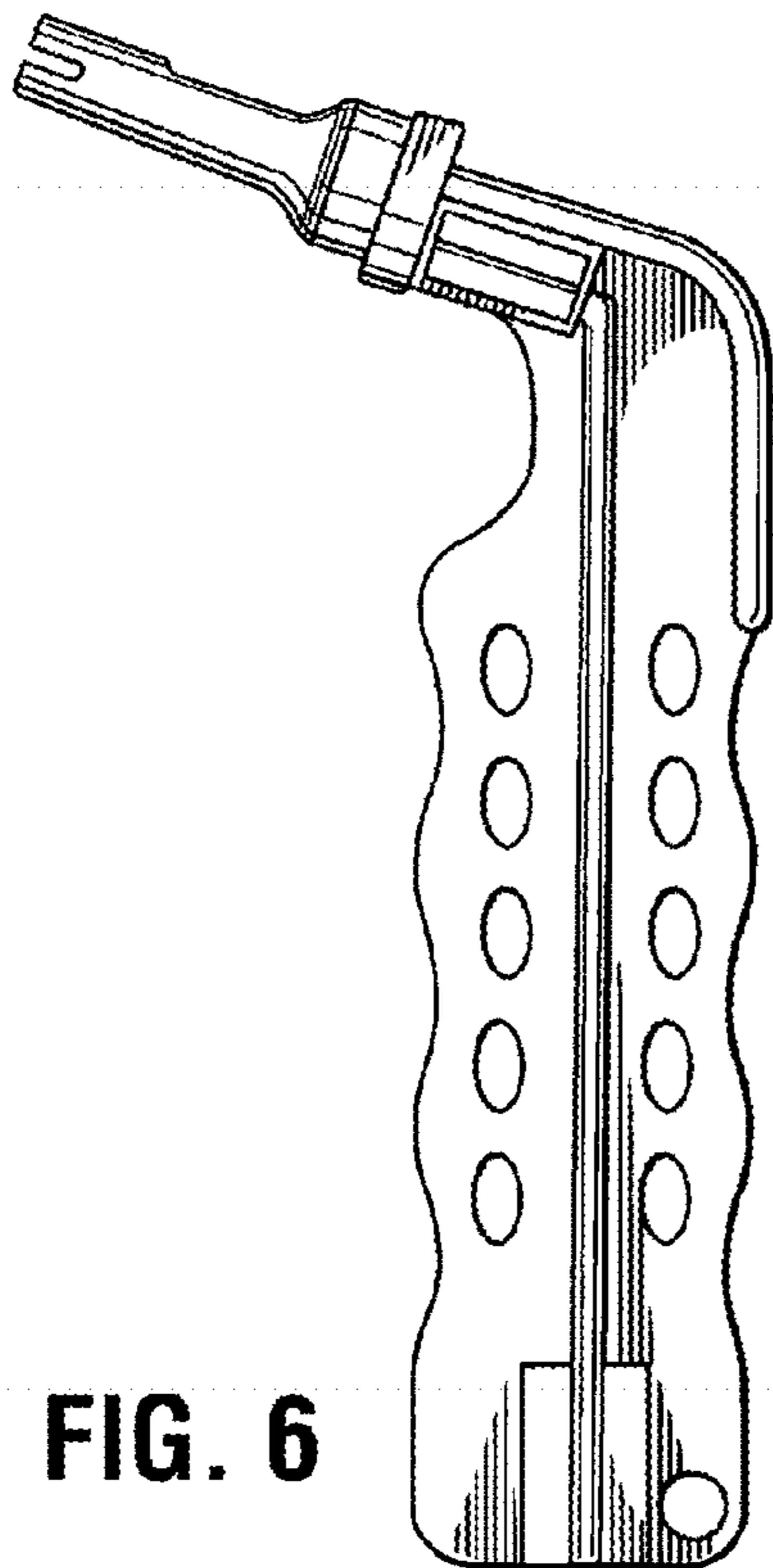


FIG. 6

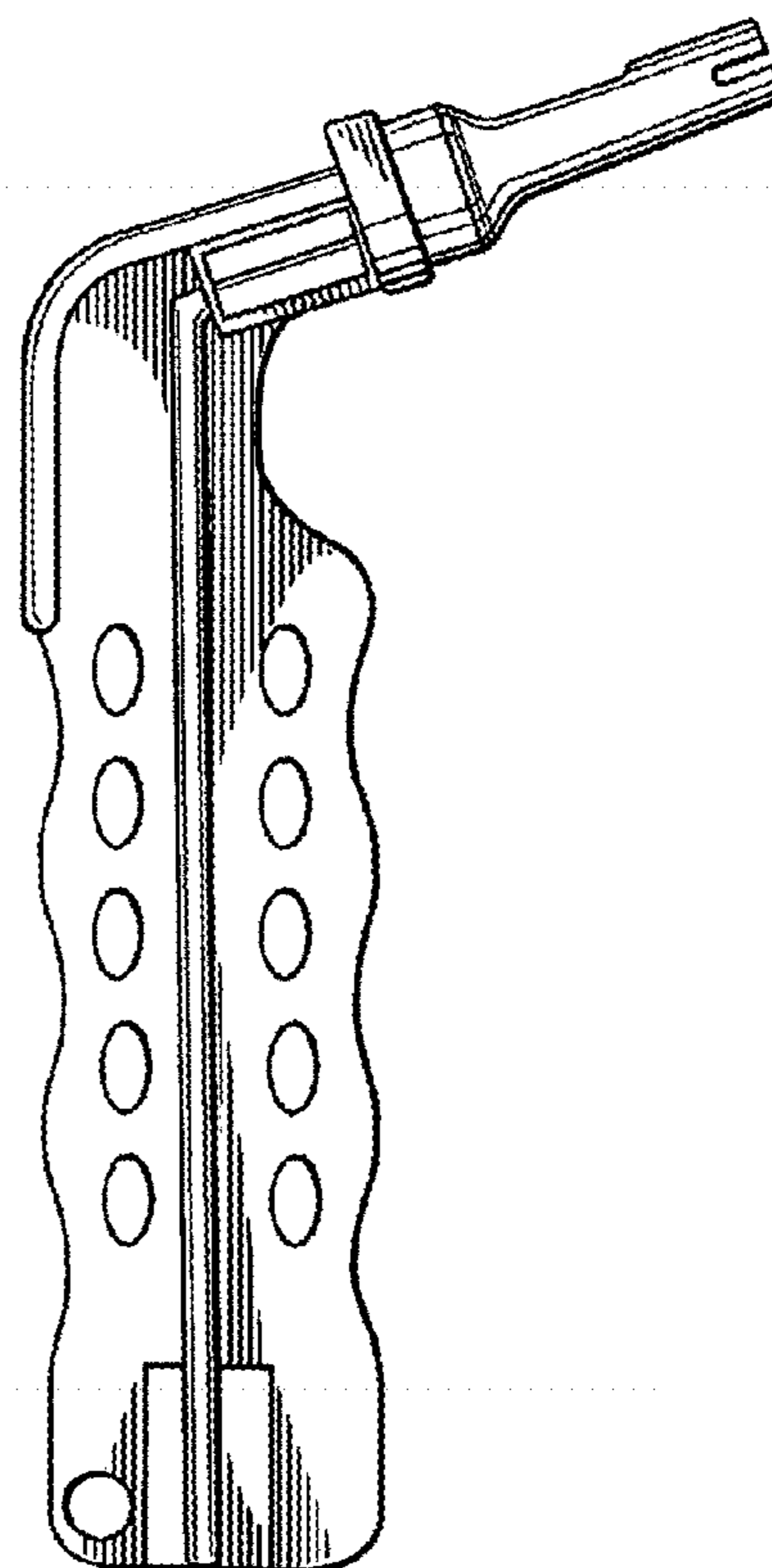


FIG. 7