

US00D764624S

(12) **United States Design Patent**
Masinelli

(10) **Patent No.:** **US D764,624 S**

(45) **Date of Patent:** **** Aug. 23, 2016**

(54) **SHOULDERED ROUND NOSE BULLET**

(71) Applicant: **Olin Corporation**, St. Louis, MO (US)

(72) Inventor: **Kyle A. Masinelli**, Oxford, MS (US)

(73) Assignee: **OLIN CORPORATION**, St. Louis, MO (US)

(**) Term: **14 Years**

(21) Appl. No.: **29/506,123**

(22) Filed: **Oct. 13, 2014**

(51) **LOC (10) Cl.** **22-03**

(52) **U.S. Cl.**
USPC **D22/116**

(58) **Field of Classification Search**
USPC D22/115-116
CPC F42B 30/02; F42B 5/02; F42B 5/26;
F42B 12/34; F42B 8/04; F42B 10/22; F42B
8/14; F41A 9/83; F41A 9/82; F41A 9/01;
F41A 9/09; F41A 9/86

See application file for complete search history.

(56) **References Cited**

U.S. PATENT DOCUMENTS

280,067	A *	6/1883	Mulvey	F42B 39/00 206/3
2,926,612	A *	3/1960	Olin	F42B 5/025 102/514
4,301,733	A *	11/1981	Arciniega Blanco	F42B 7/10 102/448
D277,597	S *	2/1985	Wik	D22/115
4,805,536	A *	2/1989	Kosteck	F42B 12/78 102/514
5,443,010	A *	8/1995	Dahlitz	F42B 14/04 102/501
D415,547	S *	10/1999	Klima, Jr.	D22/115
D518,727	S *	4/2006	Haley	D22/116
7,458,322	B2 *	12/2008	Reynolds	F42B 5/26 102/469

D626,619	S *	11/2010	Gogol	D22/116
7,975,616	B2 *	7/2011	Hill	F42B 14/02 102/439
D682,413	S *	5/2013	Gross	D24/106
D684,253	S *	6/2013	Ryan	D24/106
D722,126	S *	2/2015	Bray	D22/115

OTHER PUBLICATIONS

- <https://web.archive.org/web/20130309160526/http://corbins.com/lead.htm>[Dec. 4, 2015 6:19:08 AM].*
- <https://web.archive.org/web/20120215085435/http://www.corbins.com/ppatch.htm>[Dec. 4, 2015 9:34:02 AM].*
- <https://web.archive.org/web/20120206034856/http://www.corbins.com/design.htm>[Dec. 4, 2015 9:35:38 AM].*
- <https://www.ar15.com/archive/topic.html?b=5&f=13&t=73035>[Dec. 4, 2015 10:52:20 AM].*
- <http://dougsmessageboards.proboards.com/thread/8082/heavier-bullet-options-saboted-45?page=2>[Dec. 4, 2015 10:49:26 AM].*

* cited by examiner

Primary Examiner — Michael A Pratt
(74) *Attorney, Agent, or Firm* — Harness, Dickey & Pierce, P.L.C.

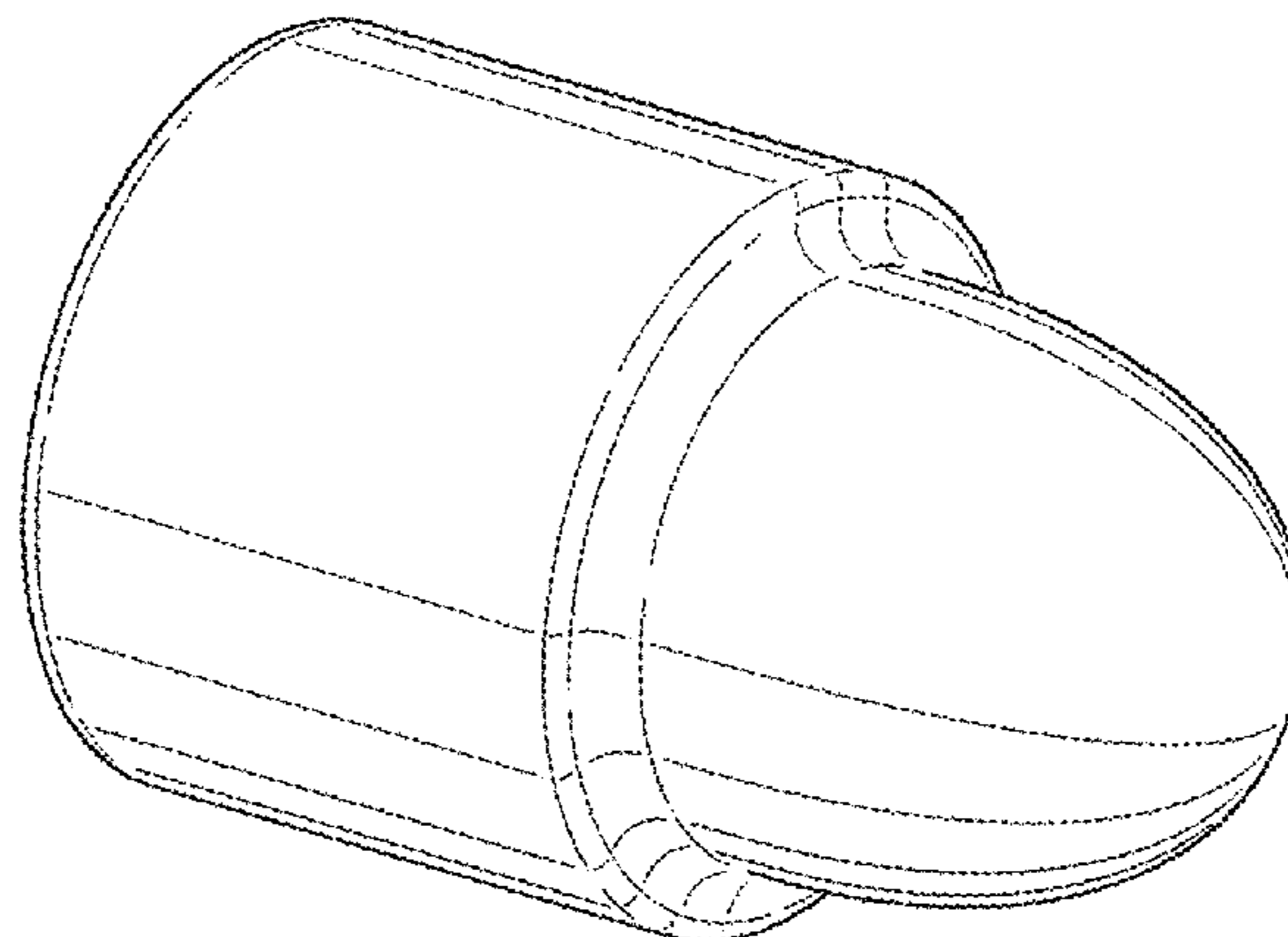
(57) **CLAIM**

The ornamental appearance of a shouldered round nose bullet, as shown and described.

DESCRIPTION

FIG. 1 is a perspective view of a bullet in accordance with the design;
FIG. 2 is a side elevation view thereof, the bullet being rotationally symmetric short its longitudinal axis; and,
FIG. 3 is a top plan view thereof the rear end of the bullet does not form a part of my design.
The rear elevation view is not shown and does not form a part of the claimed design.

1 Claim, 2 Drawing Sheets



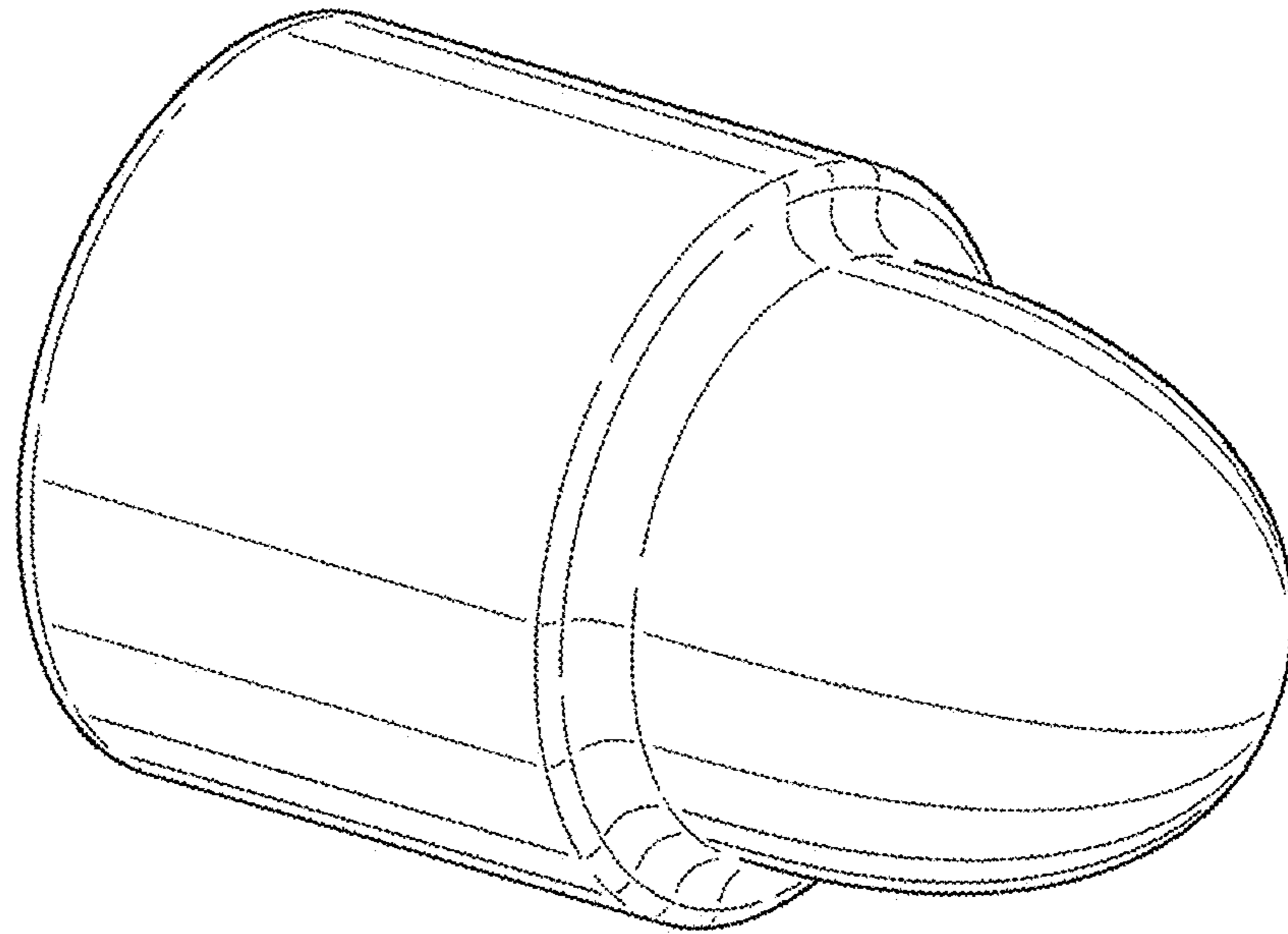


FIG. 1

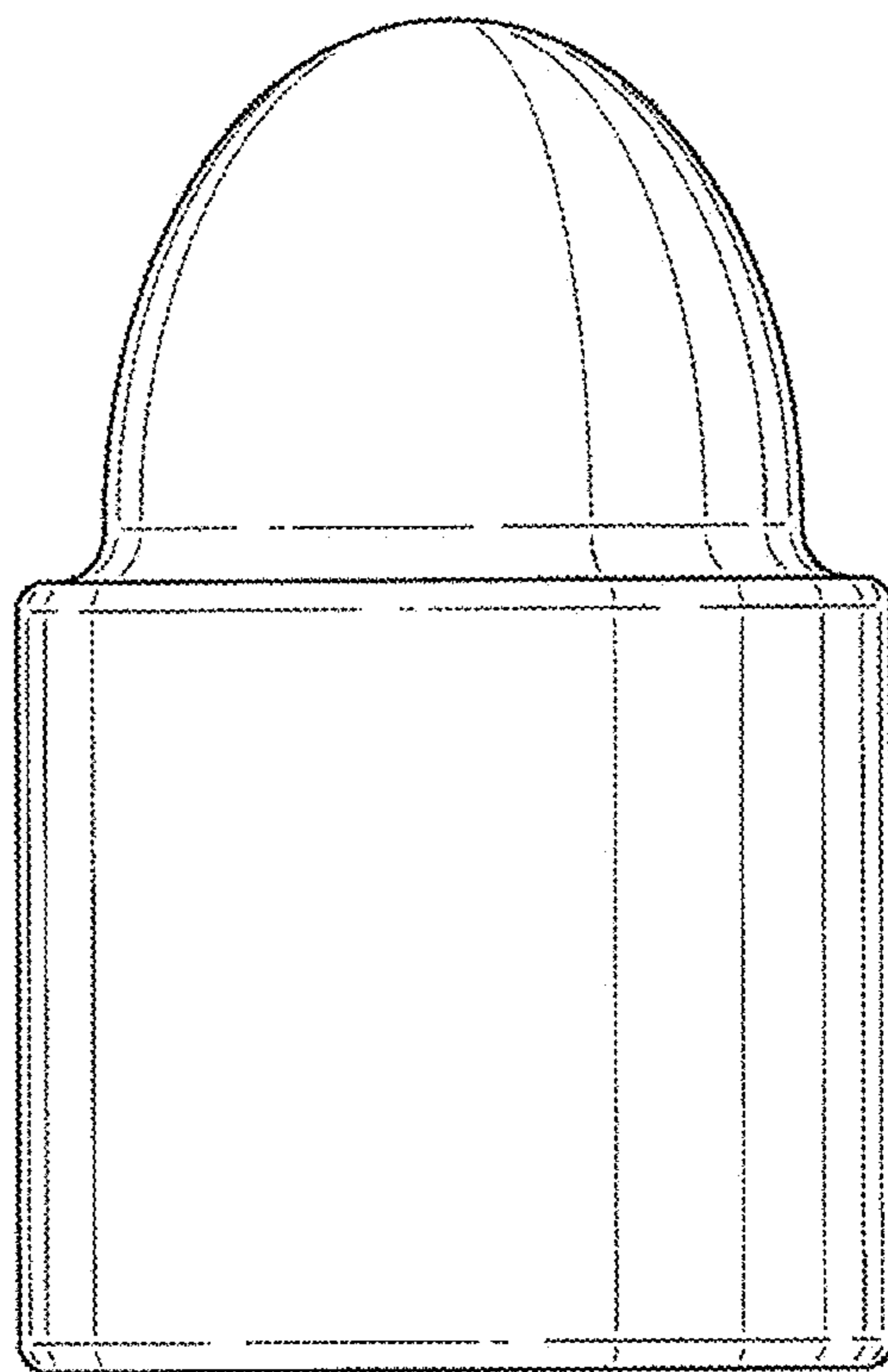


FIG. 2

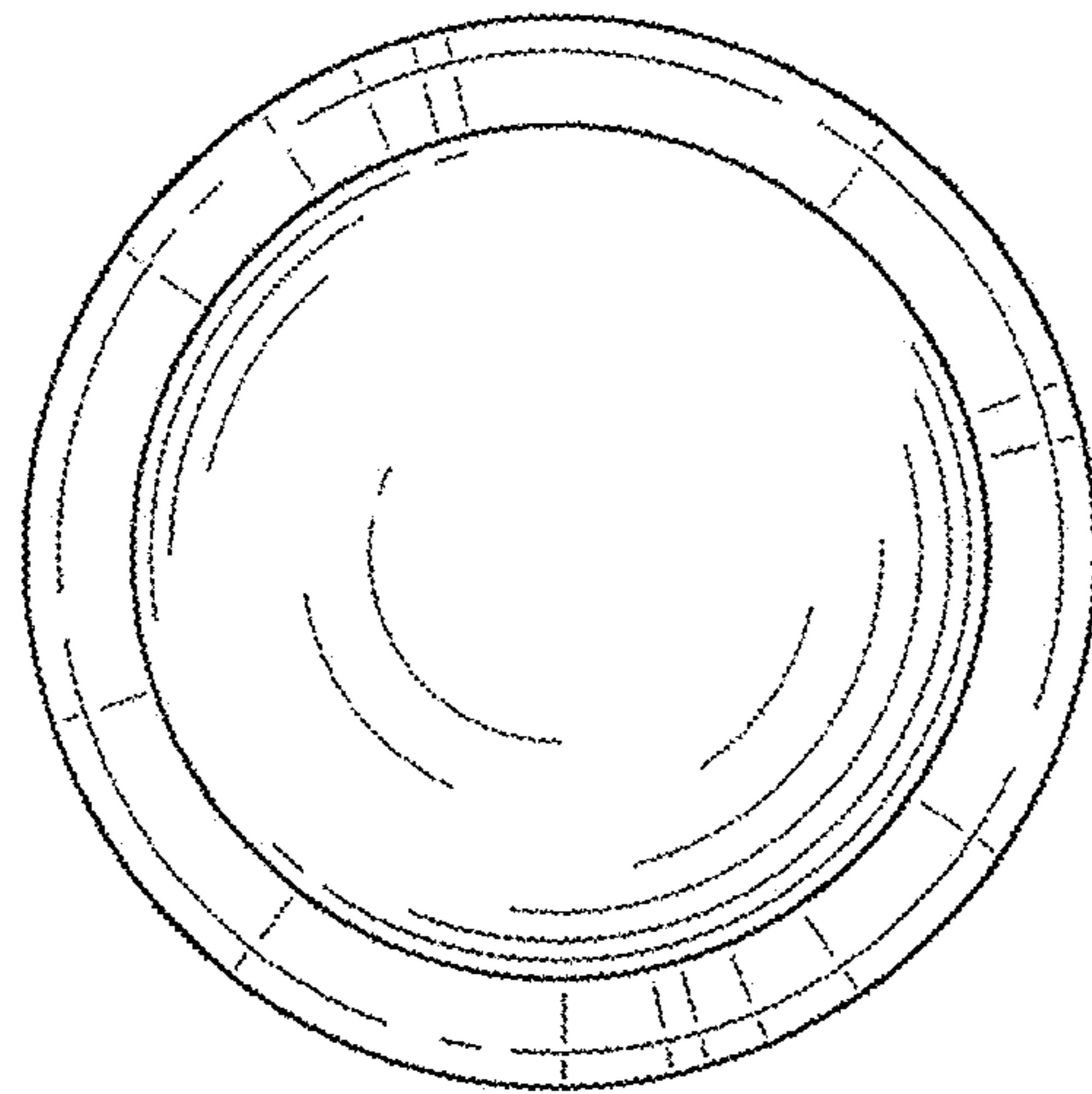


FIG. 3