



US00D764623S

(12) **United States Design Patent**
Swift

(10) **Patent No.:** **US D764,623 S**
(45) **Date of Patent:** **** Aug. 23, 2016**

(54) **PORTABLE SHOOTING TARGET**
(71) Applicant: **Ronald Swift**, Happy Valley, OR (US)
(72) Inventor: **Ronald Swift**, Happy Valley, OR (US)
(**) Term: **14 Years**
(21) Appl. No.: **29/516,544**
(22) Filed: **Feb. 3, 2015**
(51) **LOC (10) Cl.** **22-04**
(52) **U.S. Cl.**
USPC **D22/113**
(58) **Field of Classification Search**
USPC D22/113, 199
CPC F41J 1/10; F41J 5/14; F41J 1/00;
F41J 3/0004
See application file for complete search history.

2015/0198425 A1* 7/2015 Doria F41J 1/10
273/403
2016/0091285 A1* 3/2016 Mason F41J 5/04
273/372

* cited by examiner

Primary Examiner — Michael A Pratt
(74) *Attorney, Agent, or Firm* — Gulf Coast Intellectual Property Group

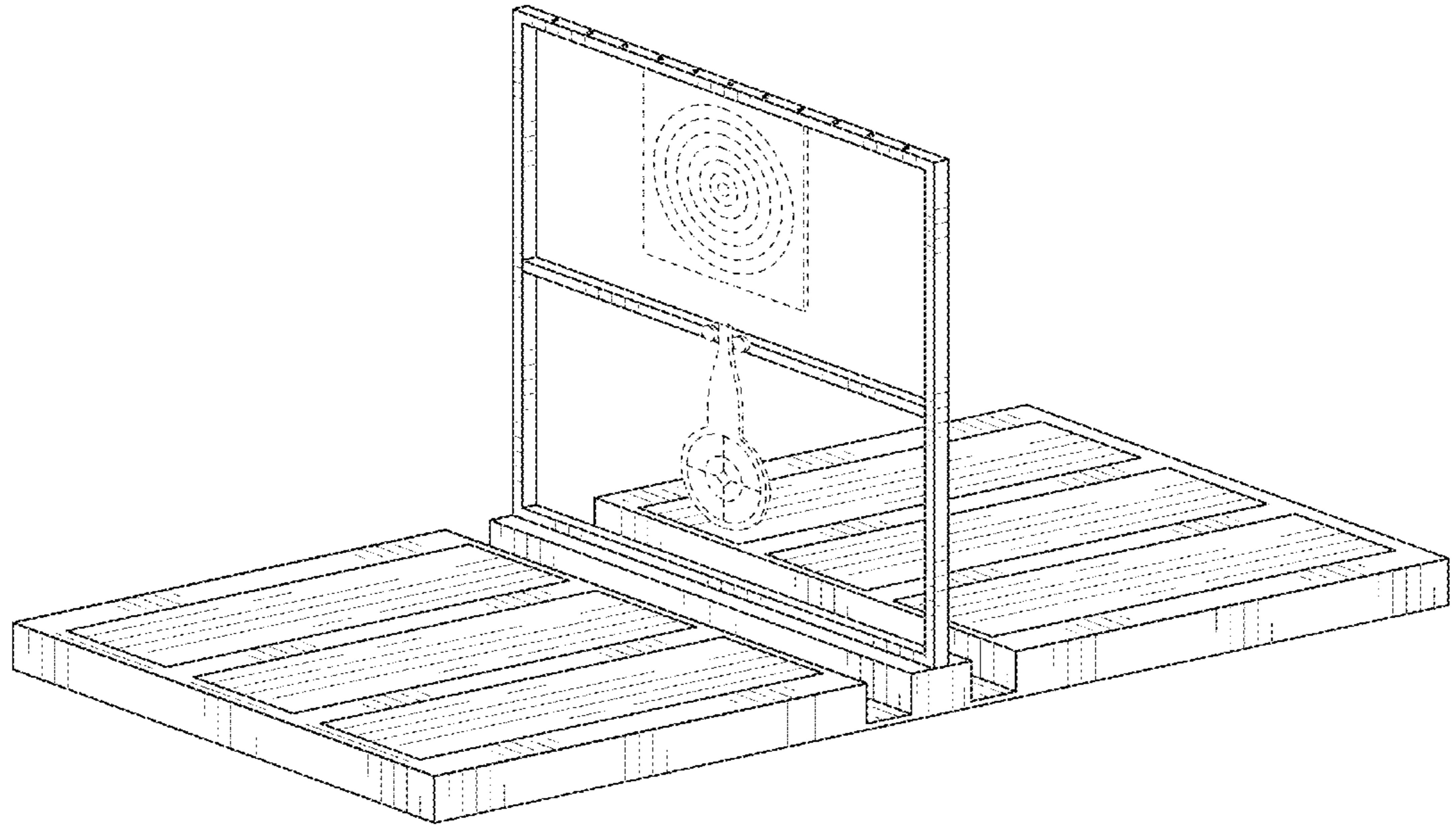
(57) **CLAIM**
The ornamental design for the portable shooting target, as shown and described.

DESCRIPTION

FIG. 1 is a perspective view of the present invention; and FIG. 2 is a front view of the present invention; and FIG. 3 is a rear view of the present invention; and FIG. 4 is a right side view of the present invention; and FIG. 5 is a left side view of the present invention; and FIG. 6 is a top view of the present invention. Wherein the dotted lines herein illustrate environment and do not form any part of the claimed design.

(56) **References Cited**
U.S. PATENT DOCUMENTS
D648,818 S * 11/2011 Zalar D22/113
D752,173 S * 3/2016 Linder D22/113

1 Claim, 4 Drawing Sheets



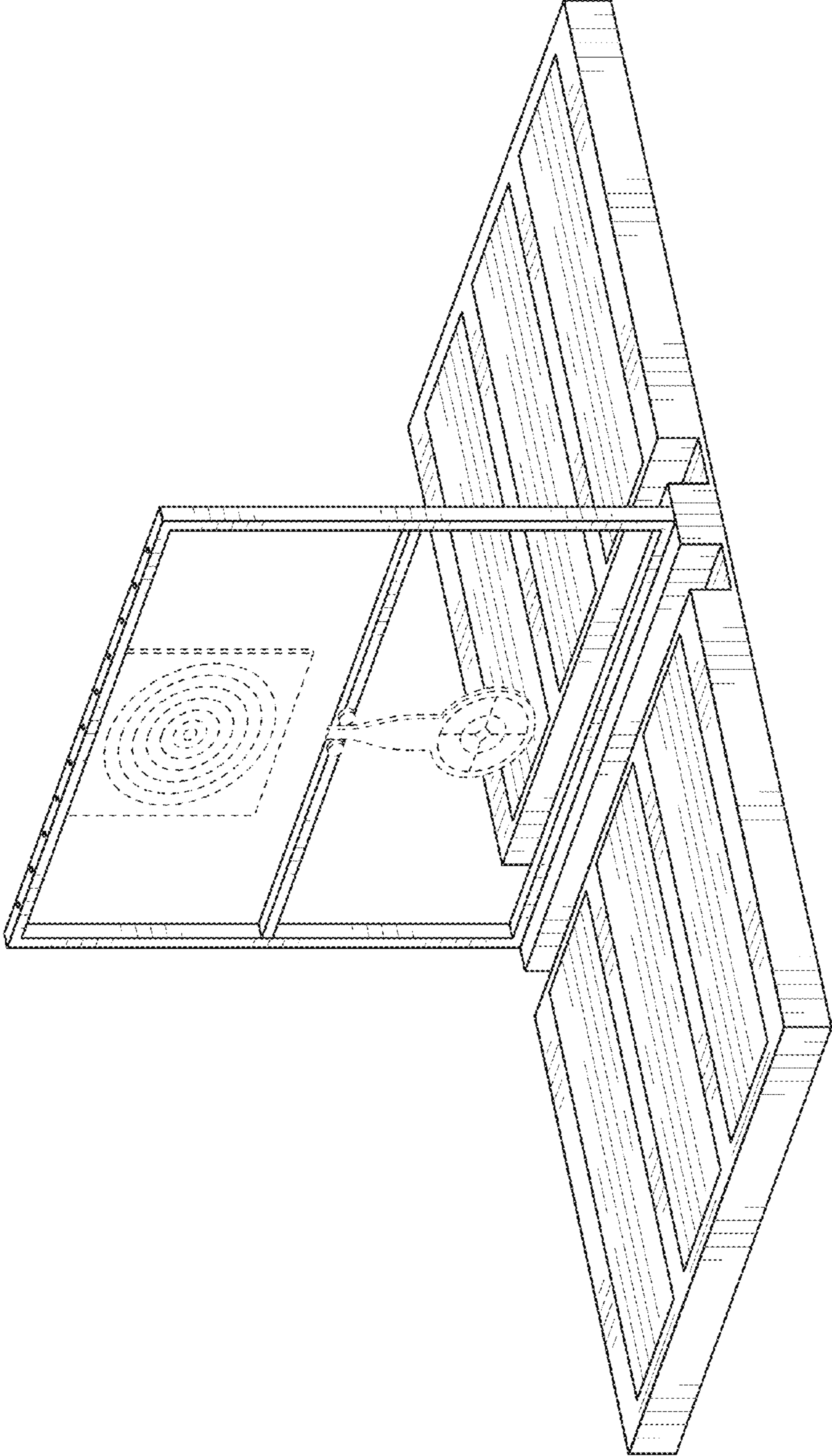


FIG. 1

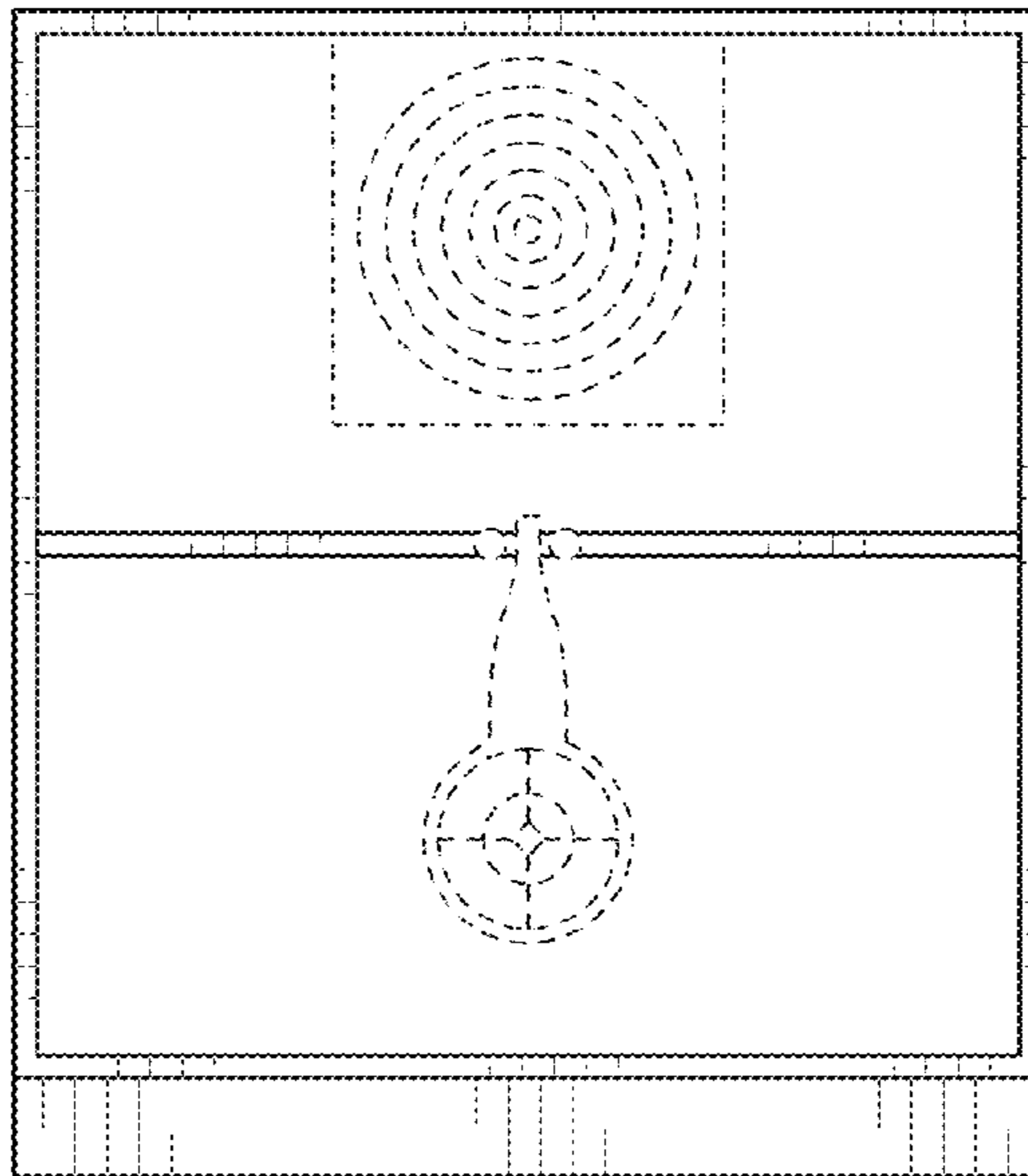


FIG. 2

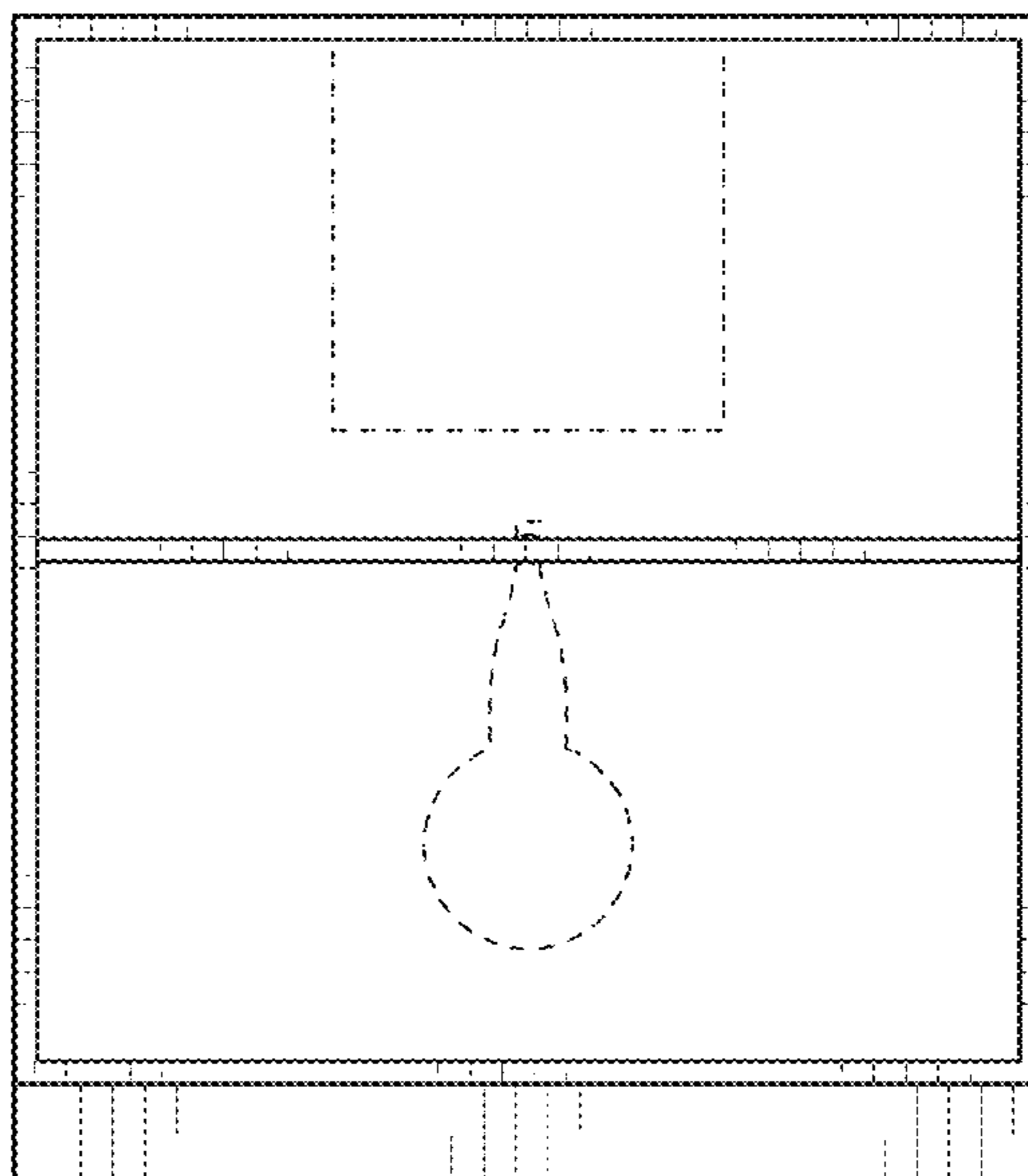


FIG. 3

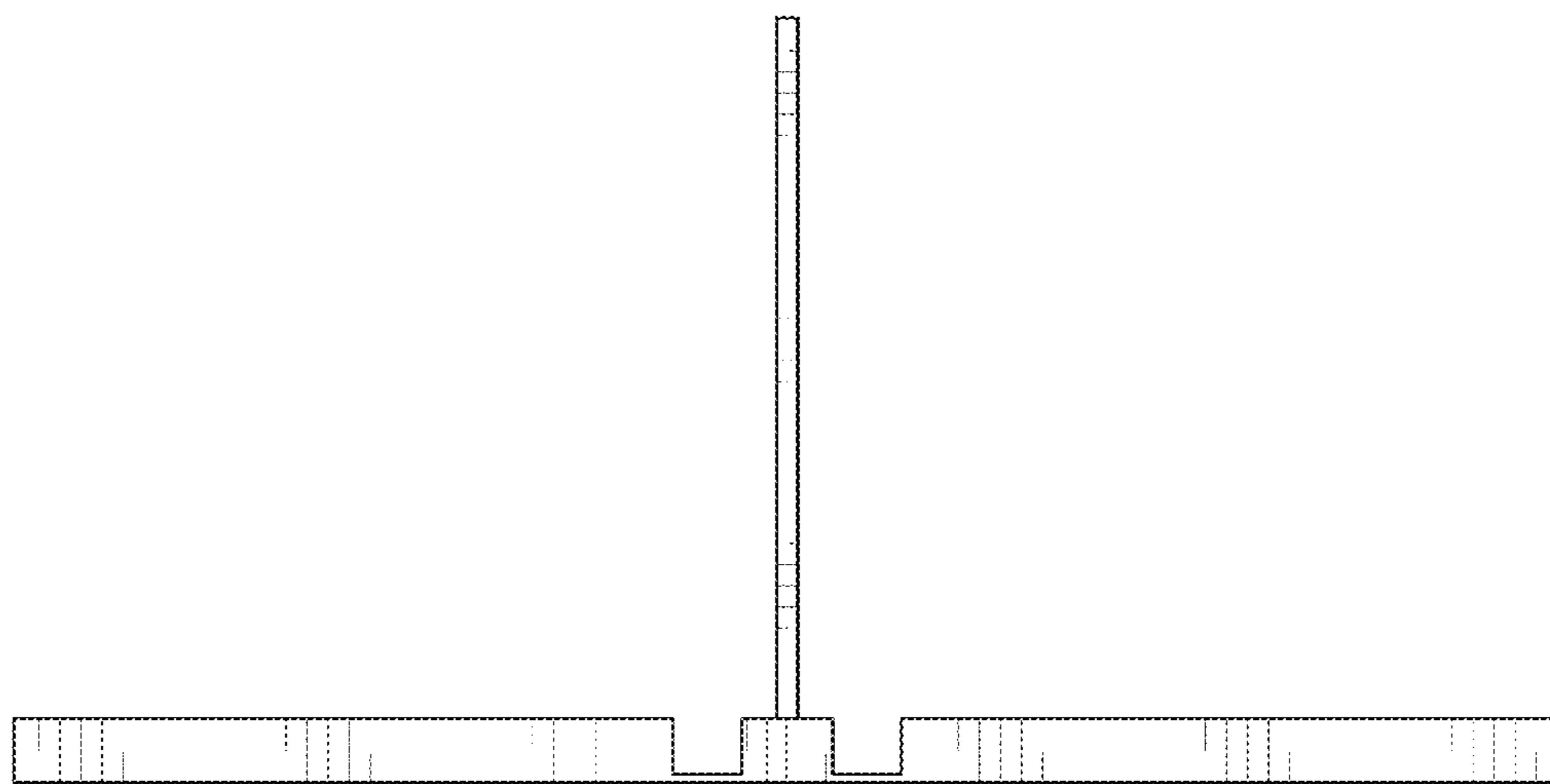


FIG. 4

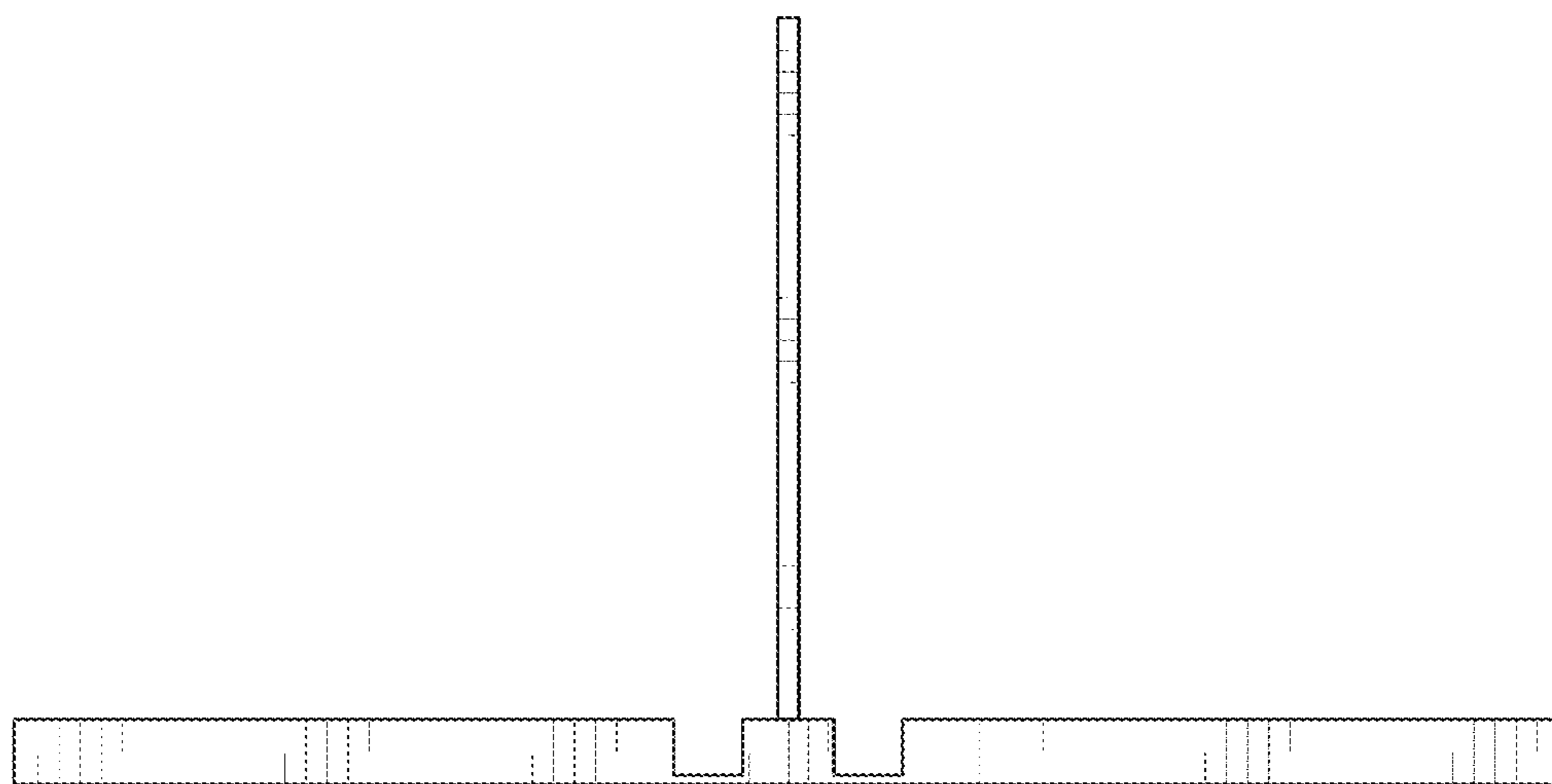


FIG. 5

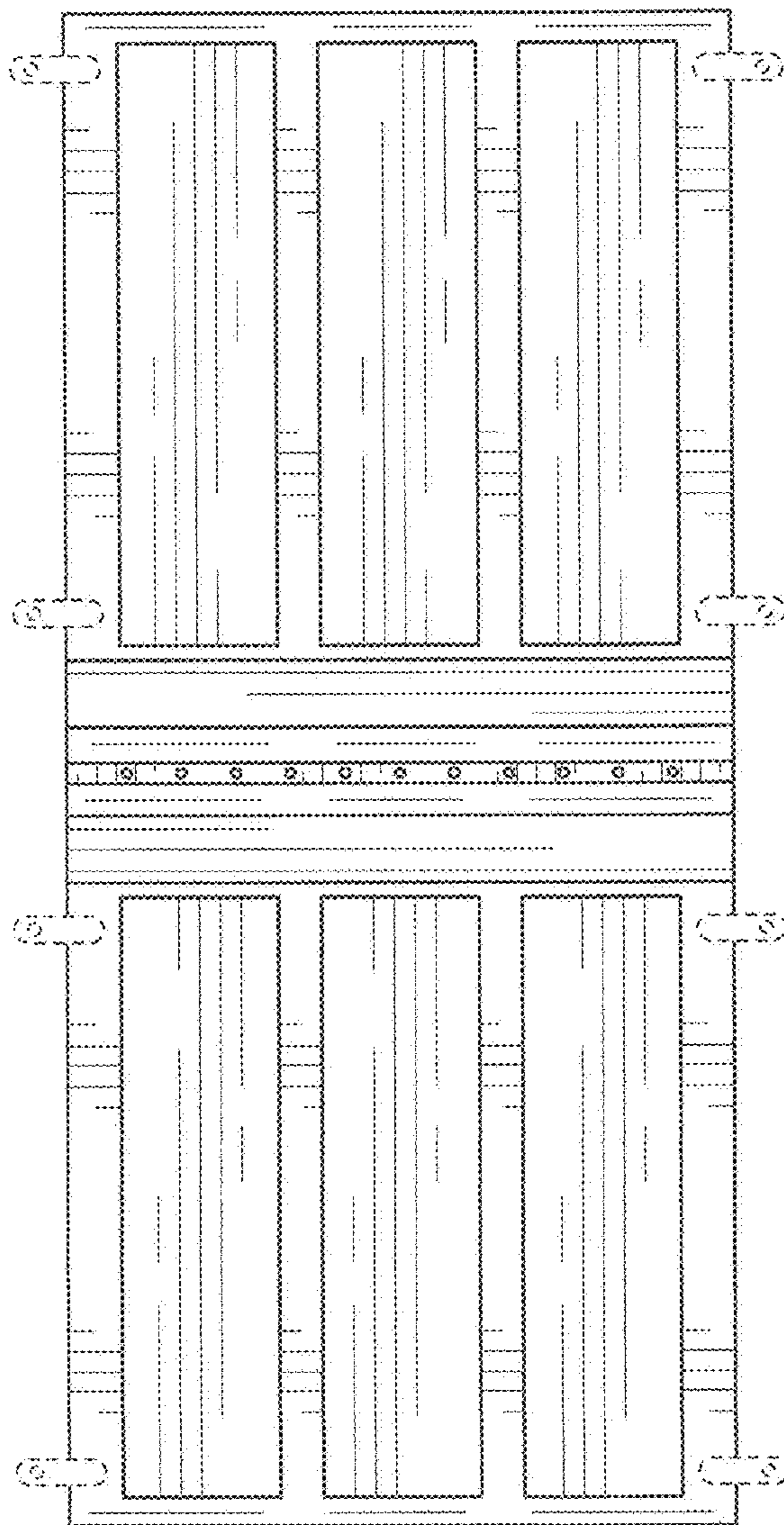


FIG. 6