



US00D764622S

(12) **United States Design Patent** (10) **Patent No.:** **US D764,622 S**
Bosco et al. (45) **Date of Patent:** **** Aug. 23, 2016**

(54) **FOREARM-GRIPPING STABILIZING ATTACHMENT**

(71) Applicants: **Alessandro Roberto Bosco**, St. Petersburg, FL (US); **Grant Bickford Shaw**, St. Petersburg, FL (US)

(72) Inventors: **Alessandro Roberto Bosco**, St. Petersburg, FL (US); **Grant Bickford Shaw**, St. Petersburg, FL (US)

(**) Term: **14 Years**

(21) Appl. No.: **29/516,063**

(22) Filed: **Jan. 29, 2015**

(51) **LOC (10) Cl.** **22-01**

(52) **U.S. Cl.**

USPC **D22/108**

(58) **Field of Classification Search**

USPC D22/103, 108; 89/111–113; 359/399, 359/823, 744; 42/104, 105, 111–113, 116, 42/120, 124–126, 127–129, 141–148, 42/133–140; 33/227, 229

CPC F41G 1/00; F41G 1/01; F41G 1/02; F41G 1/06; F41G 1/065; F41G 1/08; F41G 1/10; F41G 1/12; F41G 1/14; F41G 1/30; F41G 1/32; F41G 1/38; F41G 1/40; F41G 1/42; F41G 1/44; F41G 1/46; F41G 11/383; F41G 1/387; F41G 1/393; F41G 3/00; F41G 3/005; F41G 3/02; F41G 3/04; F41G 3/06; F41G 3/14; F41G 11/002; F41G 11/003; F41G 11/004; F41G 11/005

See application file for complete search history.

(56) **References Cited**

U.S. PATENT DOCUMENTS

2,436,175 A	5/1942	Neal
3,162,966 A	12/1964	Coss
3,648,396 A	3/1972	Smith
3,685,194 A	8/1972	Coon
4,271,623 A	6/1981	Beretta
4,291,482 A	9/1981	Bresan

4,876,814 A	10/1989	Lombardo
5,180,874 A	1/1993	Troncoso, Jr.
6,651,371 B2	11/2003	Fitzpatrick
7,028,427 B2	4/2006	Crawford
8,215,045 B2	7/2012	Mitchell
D706,896 S *	6/2014	Bosco D22/108
8,869,444 B2	10/2014	Bosco
D728,724 S *	5/2015	Bosco D22/108
D745,941 S *	12/2015	Bosco D22/108
2007/0289191 A1	12/2007	Cowan
2009/0211140 A1	8/2009	Rolfe
2014/0144061 A1*	5/2014	Bosco F41C 33/001 42/94
2014/0182181 A1	7/2014	Bosco

* cited by examiner

Primary Examiner — Michael A Pratt

(74) *Attorney, Agent, or Firm* — Stephen Lewellyn; Kyle Chapin; Maxey Law Offices, PLLC

(57) **CLAIM**

The ornamental design for a forearm-gripping stabilizing attachment, as shown and described.

DESCRIPTION

FIG. 1 is a side elevation view of the forearm-gripping stabilizing attachment, the opposite side being a mirror image;

FIG. 2 is a top plan view of the forearm-gripping stabilizing attachment;

FIG. 3 is a bottom plan view of the forearm-gripping stabilizing attachment;

FIG. 4 is a front elevation view of the forearm-gripping stabilizing attachment;

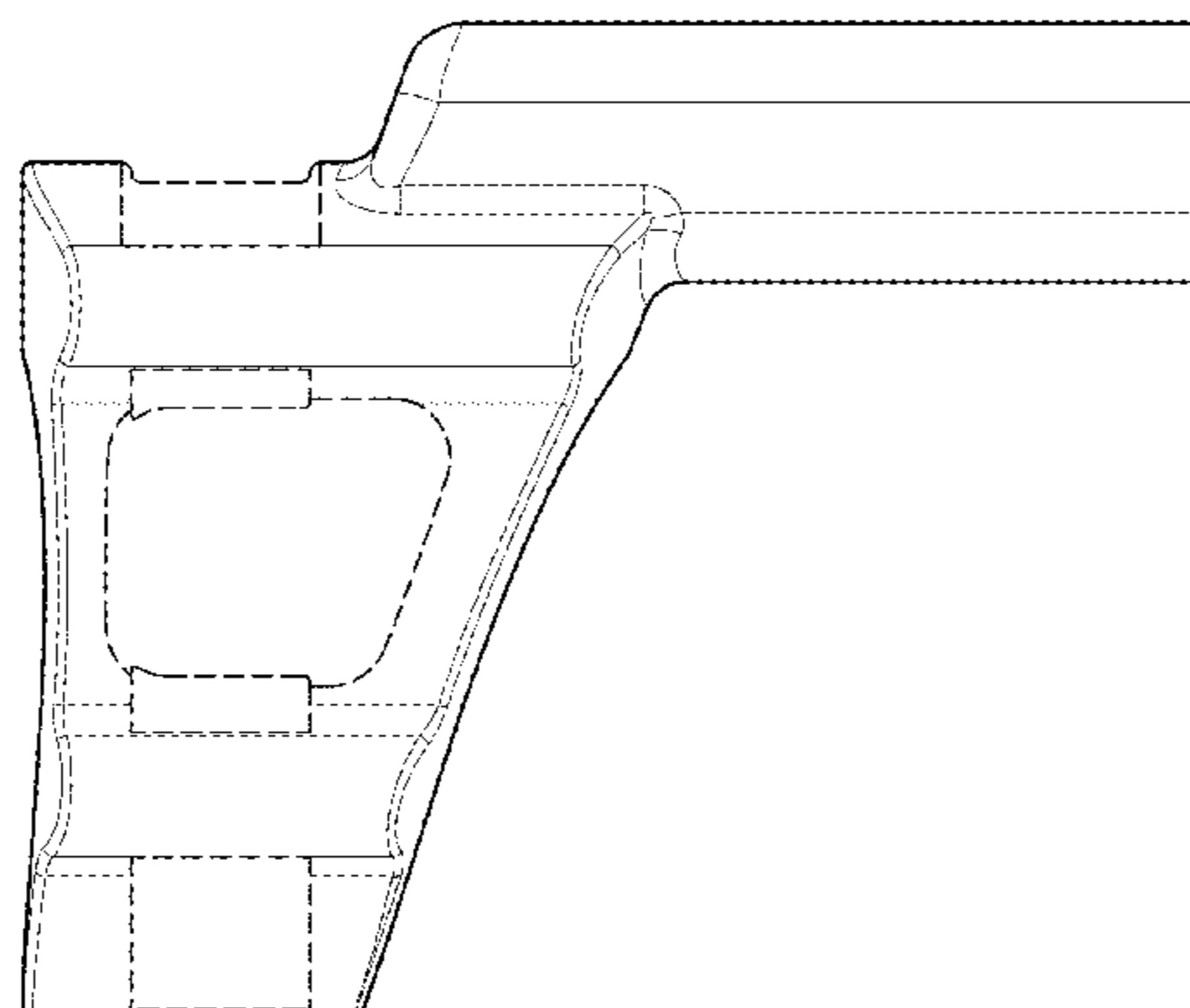
FIG. 5 is a back elevation view of the forearm-gripping stabilizing attachment;

FIG. 6 is a first front perspective view of the forearm-gripping stabilizing attachment; and,

FIG. 7 is a second front perspective view of the forearm-gripping stabilizing attachment.

The broken lines in FIGS. 1 through 7 are environmental structure only and form no part of the claimed design.

1 Claim, 6 Drawing Sheets



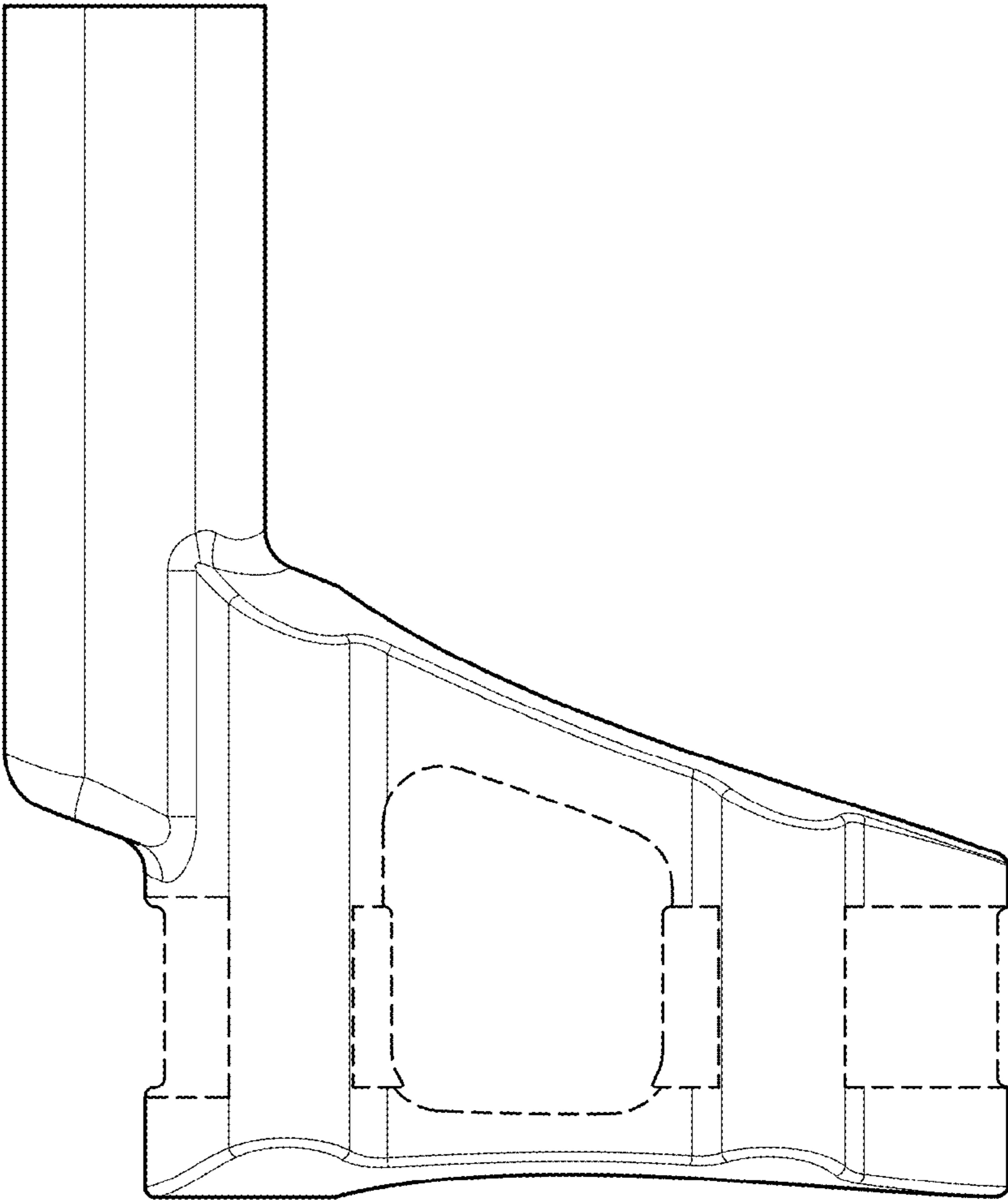


FIG. 1

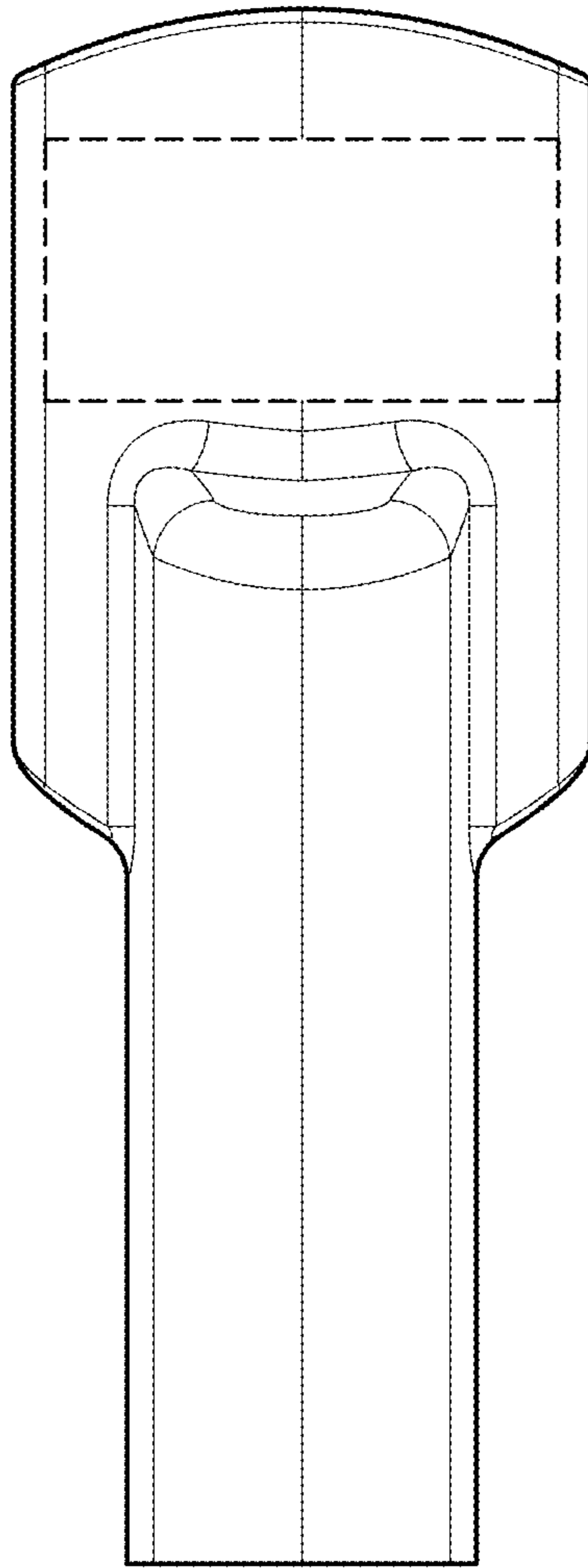


FIG. 2

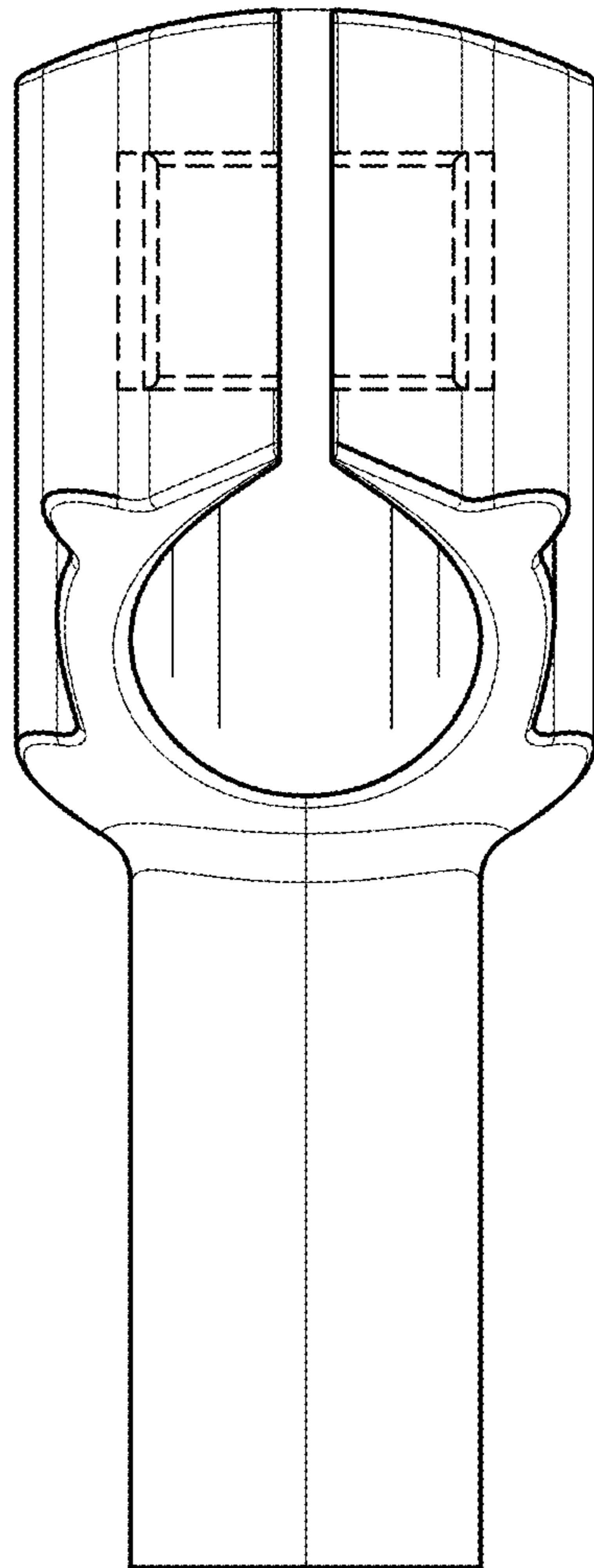


FIG. 3

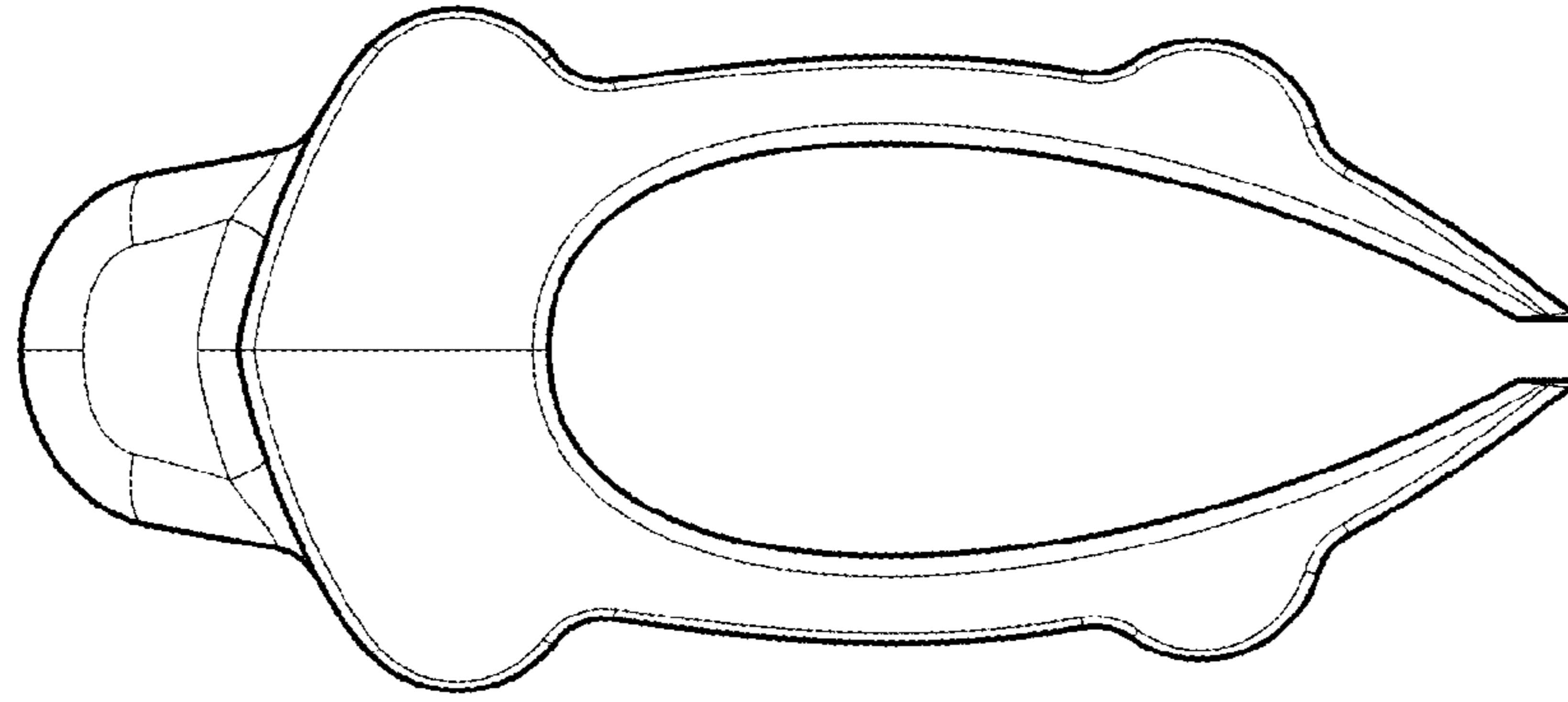


FIG. 5

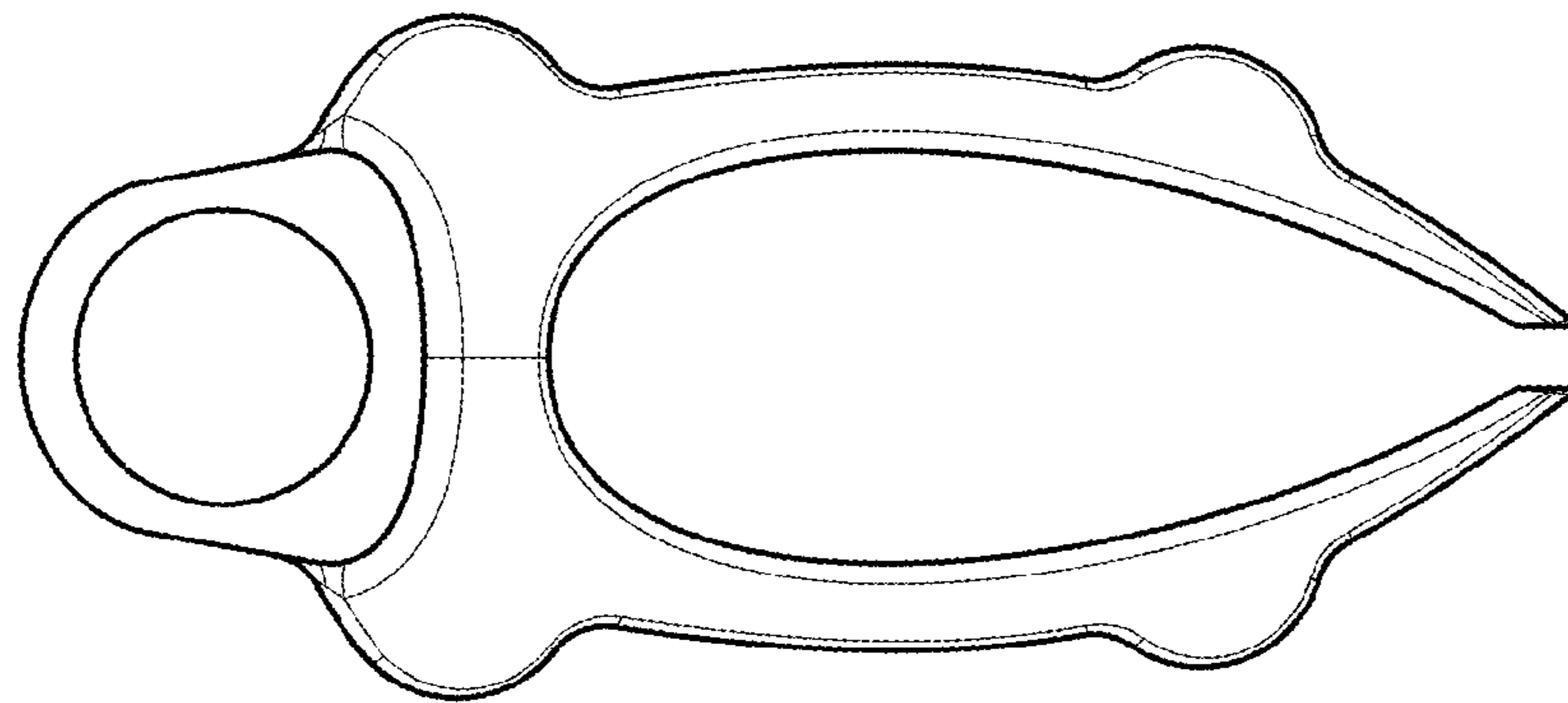


FIG. 4

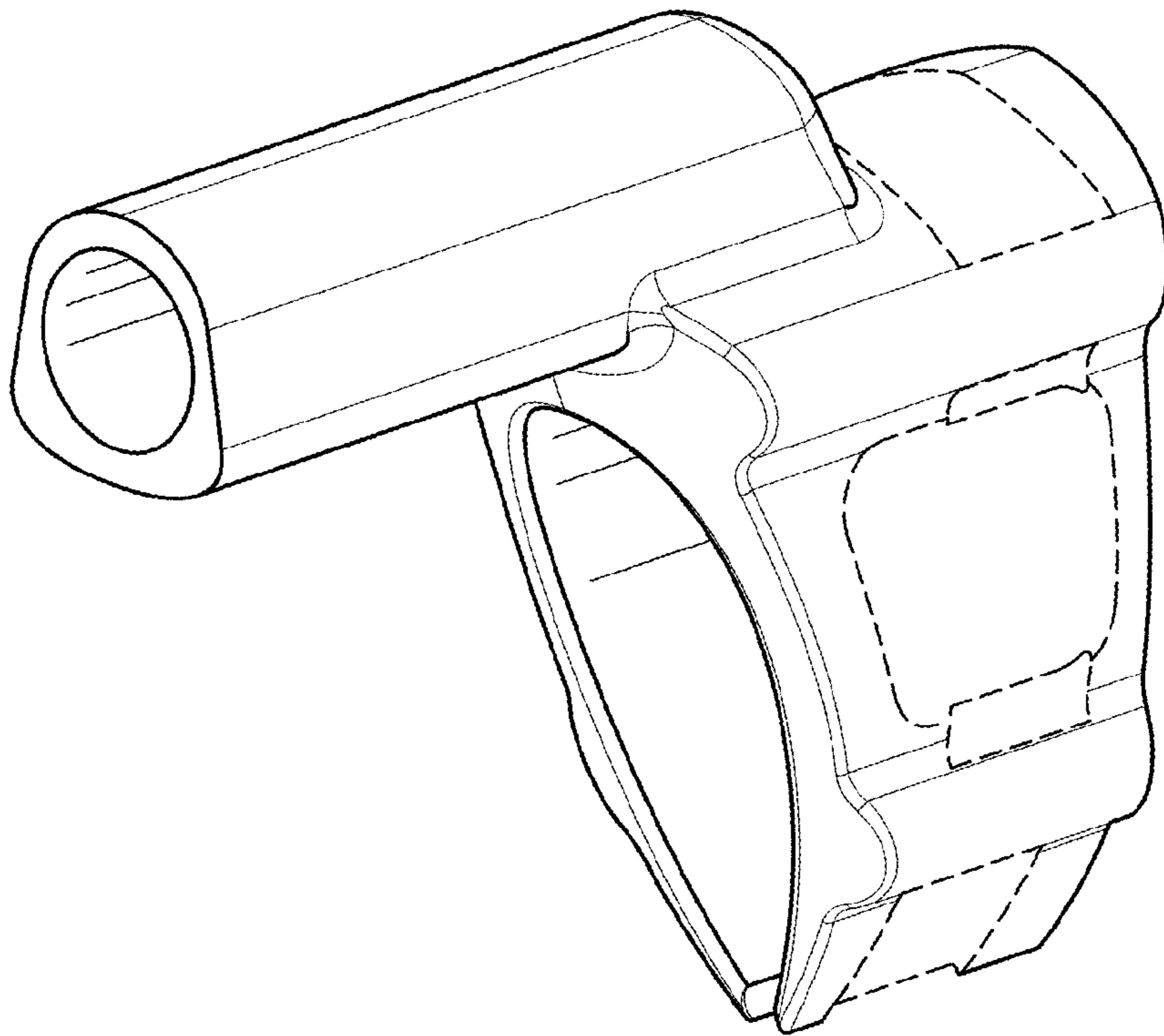


FIG. 6

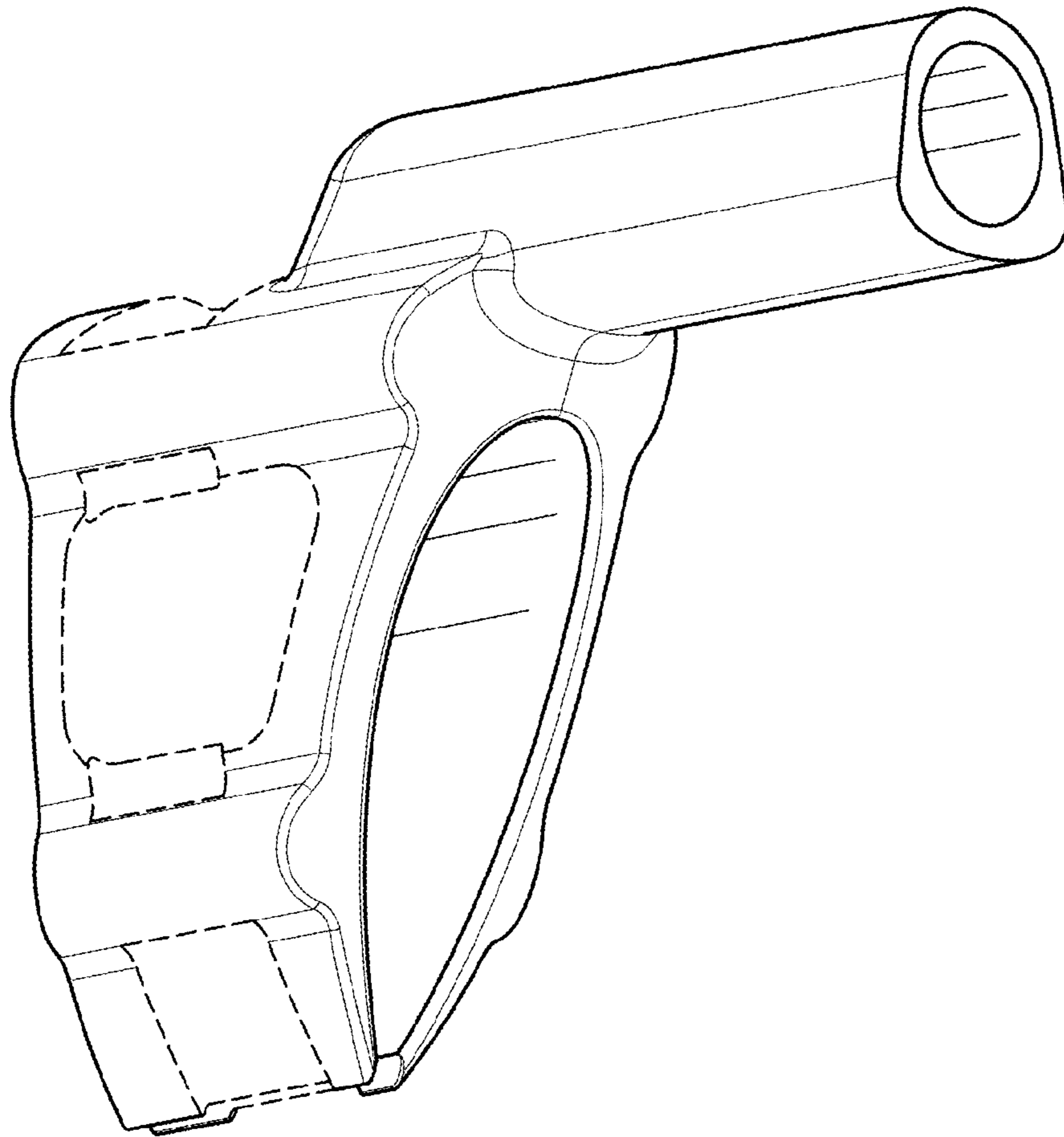


FIG. 7